

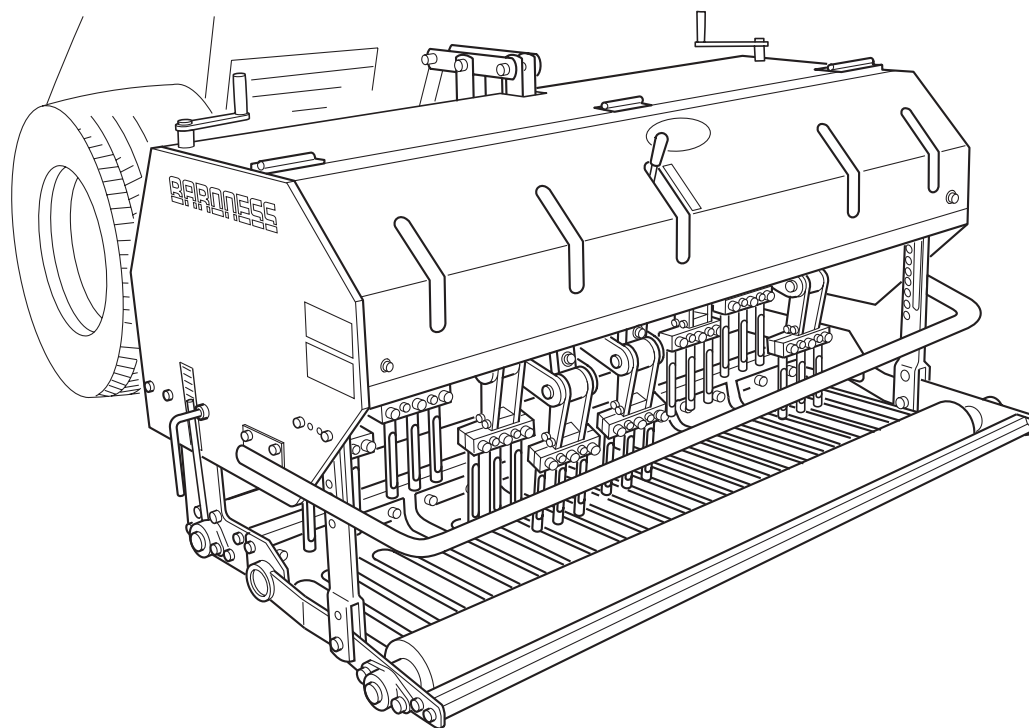
Tractor-Setting Type
Deep Aerator

TDA1600

BARONESS
Maintenance Machine

Parts Catalog

2011.2~



BARONESS[®]

CONTENTS

CONTENTS	1
Parts Catalog	2
1.Frame and cover	3
2.Front/rear rollers	5
3.Gearbox	7
4.Crank	9
5.Accessories and options	13

BARONNESS

Maintenance Machine

Tractor-Setting Type Deep Aerator

TDA1600

Parts Catalog

(Inquiry about the machine)

The models may change sequentially. When making an inquiry about this machine, please advise us of the model and serial number.
The contents of this catalog are subject to change without notice.

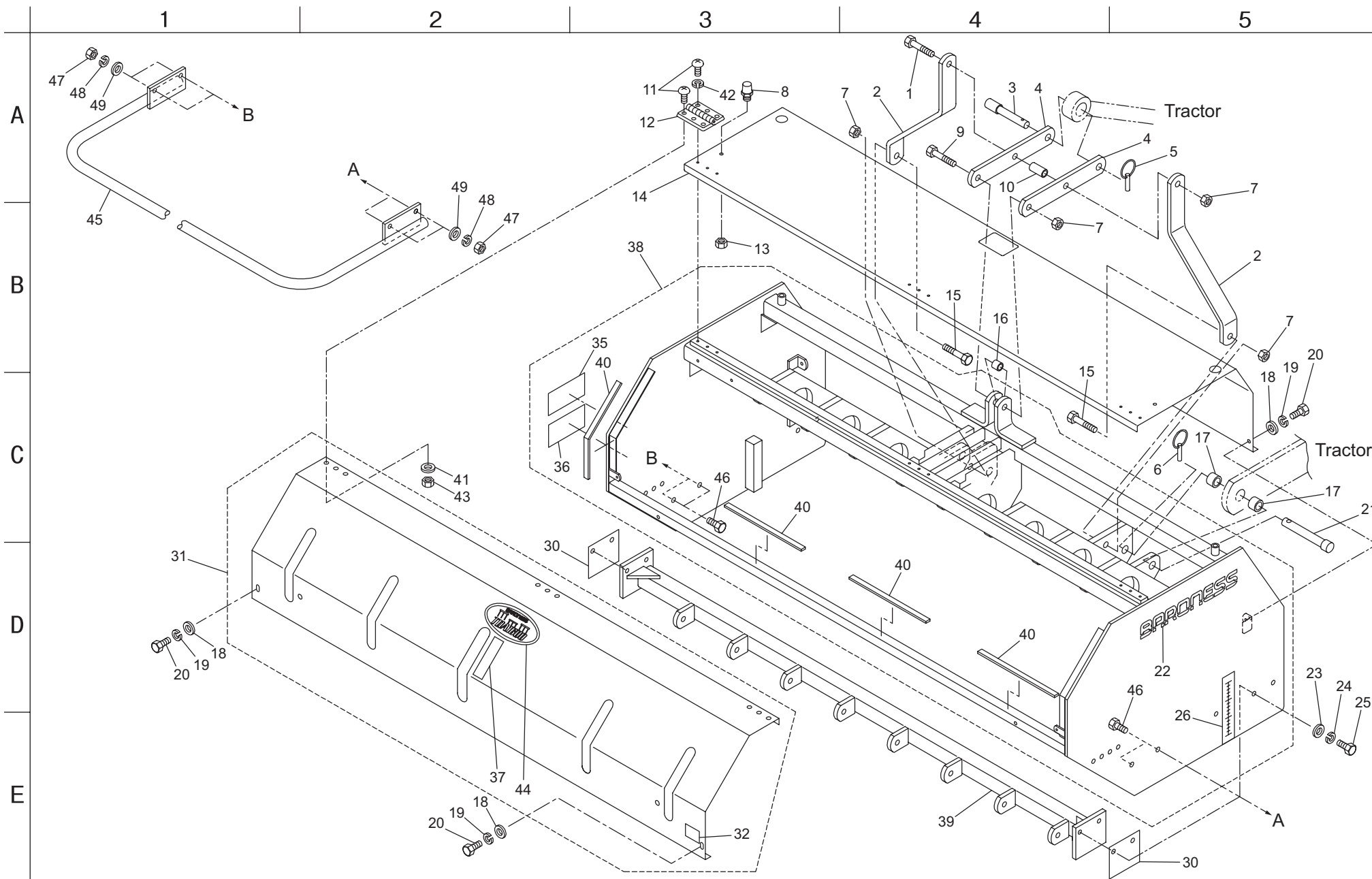
(Placing an order for parts)

Parts are computer controlled. However, in order to prevent delivery of wrong parts, please describe the catalog No., code No., and part name when placing an order.

Example	:	Catalog No.	Code No.	Part name	Qty
		1-1	K0013161201	16 heat treated bolt 120	1

1. Frame and cover

TDA1600



Cat No.	Code No.	Part name	Qty	Remarks
1 - 1	K0013161201	16 heat treated bolt 120	1	
1 - 2	TDA12000103ZR	Lower link coupler	2	
1 - 3	K6030191002	19 flat head pin 100	1	
1 - 4	TDA12000102ZR	Upper link coupler	2	
1 - 5	K6061060002	6 clip pin	1	
1 - 6	K6061100002	10 clip pin	2	
1 - 7	K0144160002	16U nut	4	
1 - 8	K4049030000	Rubber stopper KI-30	2	
1 - 9	K0013160952	16 heat treated bolt 95	1	
1 - 10	K6212001822	16STKM collar 2245	1	
1 - 11	K0042050152	5+ round machine screw 15	18	
1 - 12	K4520000230	6 resin hinge with hole 100	3	
1 - 13	K0144080002	8U nut	2	
1 - 14	TDA16001152Z0	Front cover 8 COMP	1	
1 - 15	K0013160602	16 heat treated bolt 60	2	
1 - 16	K6212001802	16STKM collar 2220	1	
1 - 17	K6212001812	22.2STKM collar 3222.4	4	
1 - 18	K5000080002	8 washer	6	
1 - 19	K0200080002	8S washer	6	
1 - 20	K0000080152	8 bolt 15	6	
1 - 21	TDA12000116Z8	22 hardened flat head pin 145	2	
1 - 22	K4201000140	BARONESS mark 45 white	2	
1 - 23	K5000120002	12 washer	4	
1 - 24	K0200120002	12S washer	4	
1 - 25	K0010120302	12 heat treated bolt 30	4	
1 - 26	K4209001140	Scale mark 150A	2	
1 - 27				
1 - 28				
1 - 29				
1 - 30	TDA16000120Z2	Adjusting plate B	0-2	For adjustment
1 - 31	TDA16001150A0	Rear cover plate 8 COMP	1	
1 - 32	K4205000480	Cover installation caution mark	1	
1 - 33				
1 - 34				
1 - 35	K4205001750	Handling precautions label	1	

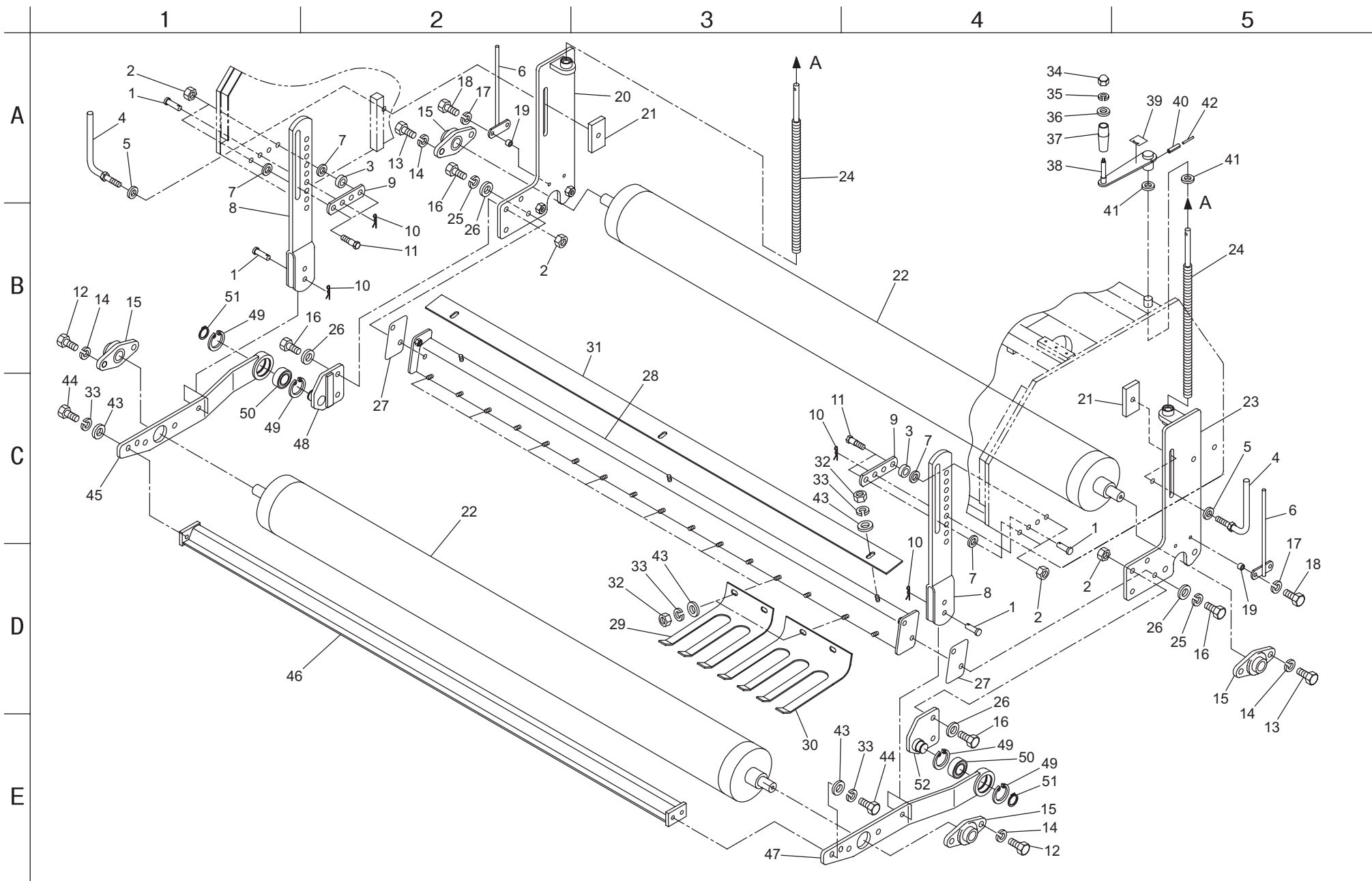
Cat No.	Code No.	Part name	Qty	Remarks
1 - 36	K4205001760	PTO caution label	1	
1 - 37	K4203001390	Crank effect speed label	1	
1 - 38	TDA16001151A0	Frame COMP	1	
1 - 39	TDA16000112AR	Box mounting bracket 8	1	
1 - 40	K4228000110	5 Rubber sponge 15300	5	
1 - 41	K5000050002	5 washer	9	
1 - 42	K0200050002	5S washer	9	
1 - 43	K0144050002	5U nut	9	
1 - 44	TDA16000127Z0	TDA1600 mark	1	
1 - 45	TDA16001101ZR	Protection pipe	1	
1 - 46	K0000100352	10 bolt 35	4	
1 - 47	K0100100002	10 nut	4	
1 - 48	K0200100002	10S washer	4	
1 - 49	K5000100002	10 washer	4	

1. Frame and cover

TDA1600

2. Front/rear roller

TDA1600



Cat No.	Code No.	Part name	Qty	Remarks
2 - 1	K6031120403	12 hardened flat head pin 40	4	
2 - 2	K0144120002	12U nut	8	
2 - 3	K6212002362	13.5STKM collar 2214	2	
2 - 4	TDA12000125A8	Roller holding fixture	2	
2 - 5	K0213120002	12 disc spring washer 1H	2	
2 - 6	TDA12000122ZD	Depth gauge	2	
2 - 7	K5012312222	2.3SPCC washer 1222	4	
2 - 8	TDA12000123ZD	Roller hanger	2	
2 - 9	TDA12000124ZD	Roller holding plate	2	
2 - 10	K0361000008	10KS snap pin	4	
2 - 11	K0071000372	Hydraulic motor bolt	4	
2 - 12	K0010140302	14 heat treated bolt 30	4	
2 - 13	K0013140452	14 heat treated bolt 45	4	
2 - 14	K0200140002	14S washer	8	
2 - 15	K0661205000	Square flange unit UCFL205	4	
2 - 16	K0010120402	12 heat treated bolt 40	8	
2 - 17	K0200080002	8S washer	4	
2 - 18	K0000080302	8 bolt 30	4	
2 - 19	K6212000982	8.5STKM collar 149.5	4	
2 - 20	TDA16000105ZD	Front roller bracket left 8	1	
2 - 21	TDA12000115ZD	Tightening plate	2	
2 - 22	TDA16000107AD	Roller	2	
2 - 23	TDA16000104ZD	Front roller bracket right 8	1	
2 - 24	TDA12000106Z0	Adjusting screw	2	
2 - 25	K0200120002	12S washer	4	
2 - 26	K5000120002	12 washer	8	
2 - 27	TDA16000119Z2	Adjusting plate A	0-2	For adjustment
2 - 28	TDA16000118ZD	Lawn pusher mounting bracket	1	
2 - 29	TDA12000332ZD	Lawn push plate A	7	
2 - 30	TDA12000333ZD	Lawn push plate B	1	
2 - 31	TDA16000121ZD	Scraper	1	
2 - 32	K0100100002	10 nut	19	
2 - 33	K0200100002	10S washer	23	
2 - 34	K0100060002	6 nut	2	
2 - 35	K0200060002	6S washer	2	

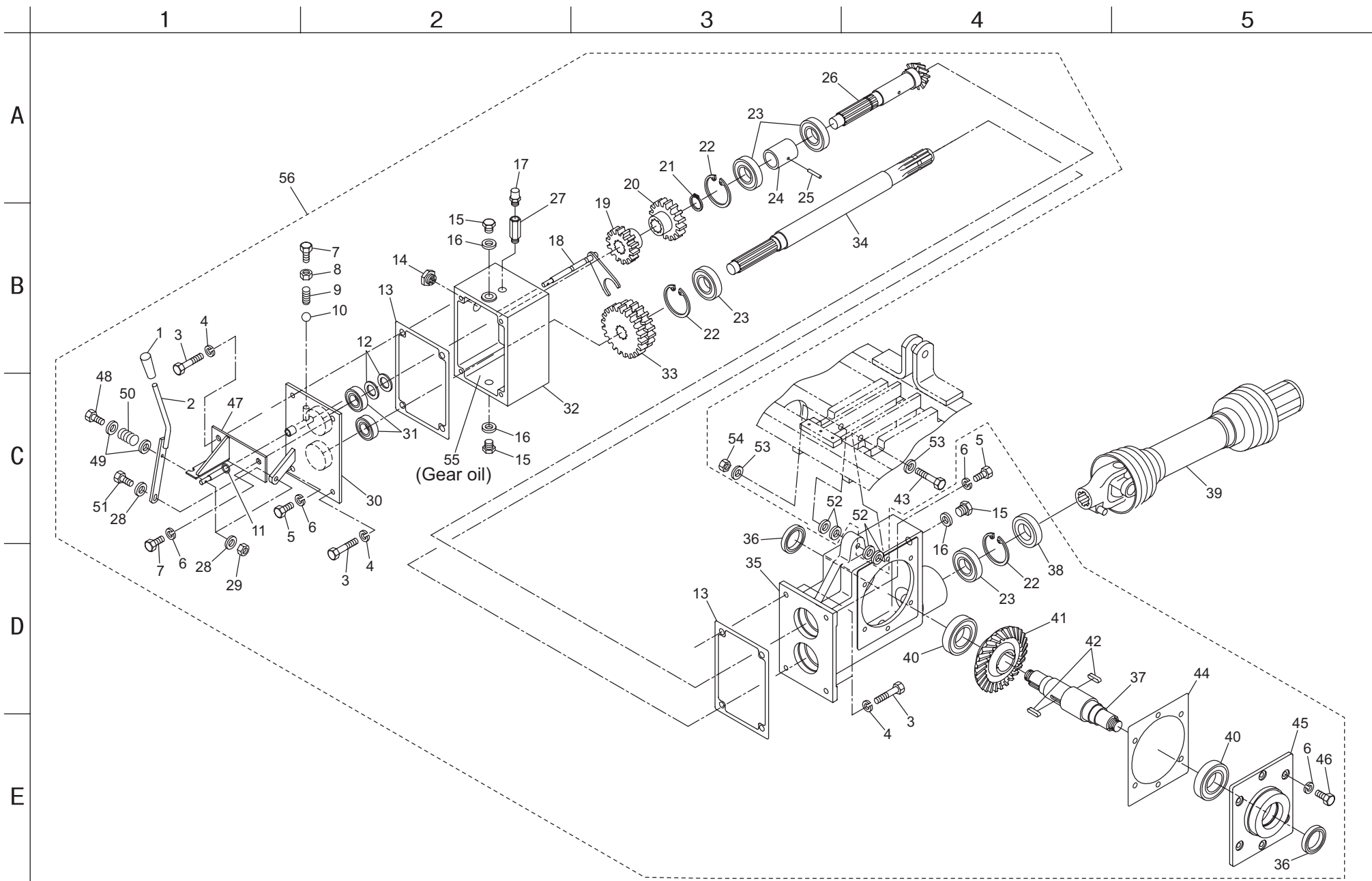
Cat No.	Code No.	Part name	Qty	Remarks
2 - 36	K5000060002	6 washer	2	
2 - 37	K1301000120	25 lever grip 70	2	
2 - 38	K7100000112	Up-down handle	2	
2 - 39	K4203001400	Depth adjusting handle plate	2	
2 - 40	K0320050251	5 spring pin 25	2	
2 - 41	K5021012200	1NBS55 washer 1220	4	
2 - 42	K0320030251	3 spring pin 25	2	
2 - 43	K5000100002	10 washer	23	
2 - 44	K0010100252	10 heat treated bolt 25	4	
2 - 45	TDA16000140ZD	Rear roller bracket 8 left	1	
2 - 46	TDA16000142ZD	Scraper 8	1	
2 - 47	TDA16000141ZD	Rear roller bracket 8 right	1	
2 - 48	TDA16000143ZD	Bracket mounting plate left	1	
2 - 49	K0402047001	Stop ring R47	4	
2 - 50	K0613060050	Bearing 60052RDC3	2	
2 - 51	K0401025001	Stop ring S25	2	
2 - 52	TDA16000144ZD	Bracket mounting plate right	1	

2. Front/rear roller

TDA1600

3. Gearbox

TDA1600



Cat No.	Code No.	Part name	Qty	Remarks
3 - 1	K1300000070	9 grip black 22	1	
3 - 2	TDA12000210Z2	Change lever	1	
3 - 3	K0071000652	10 knock bolt 50	4	
3 - 4	K0200120002	12S washer	4	
3 - 5	K0000100252	10 bolt 25	3	
3 - 6	K0200100002	10S washer	10	
3 - 7	K0000100302	10 bolt 30	2	
3 - 8	K0100100002	10 nut	1	
3 - 9	K1000000021	1.4 compression spring 7.816	1	
3 - 10	K1500800000	8 steel ball	1	
3 - 11	K0880011000	O-ring P11	1	
3 - 12	K5073225402	3.2SPHC washer 2540	2	
3 - 13	TDA12000215Z0	Packing A	2	
3 - 14	K1400000044-Y	PF 3/4 oil qty M type	1	
3 - 15	K1410000042-Y	14 plug P1.5	3	
3 - 16	K0920140000	14 seal washer S1	3	
3 - 17	K1430000012	Air breather PT 1/8	1	
3 - 18	TDA12000209A0	Shifter fork	1	
3 - 19	TDA12000208Z0	2-shaft 14-tooth gear	1	
3 - 20	TDA12000207Z0	2-shaft 16-tooth gear	1	
3 - 21	K0401030001	Stop ring S30	1	
3 - 22	K0402072001	Stop ring R72	3	
3 - 23	K0600062070	Bearing 6207	4	
3 - 24	K6215000270	35STKM collar with hole 45.158	1	
3 - 25	K0320060451	6 spring pin 45	1	
3 - 26	TDA12000205Z0	Derive shaft B	1	
3 - 27	TDA12000223Z2	Air breather pipe	1	
3 - 28	K5000060002	6 washer	3	
3 - 29	K0144060002	6U nut	2	
3 - 30	TDA12000203AR	Gearbox cover	1	
3 - 31	K0600062050	Bearing 6205	2	
3 - 32	TDA12000202ZR	Crank gearbox B	1	
3 - 33	TDA12000206Z0	1-shaft 20-tooth, 22-tooth gear	1	
3 - 34	TDA12000204Z0	Drive shaft A	1	
3 - 35	TDA12000201AR	Crank gearbox A	1	

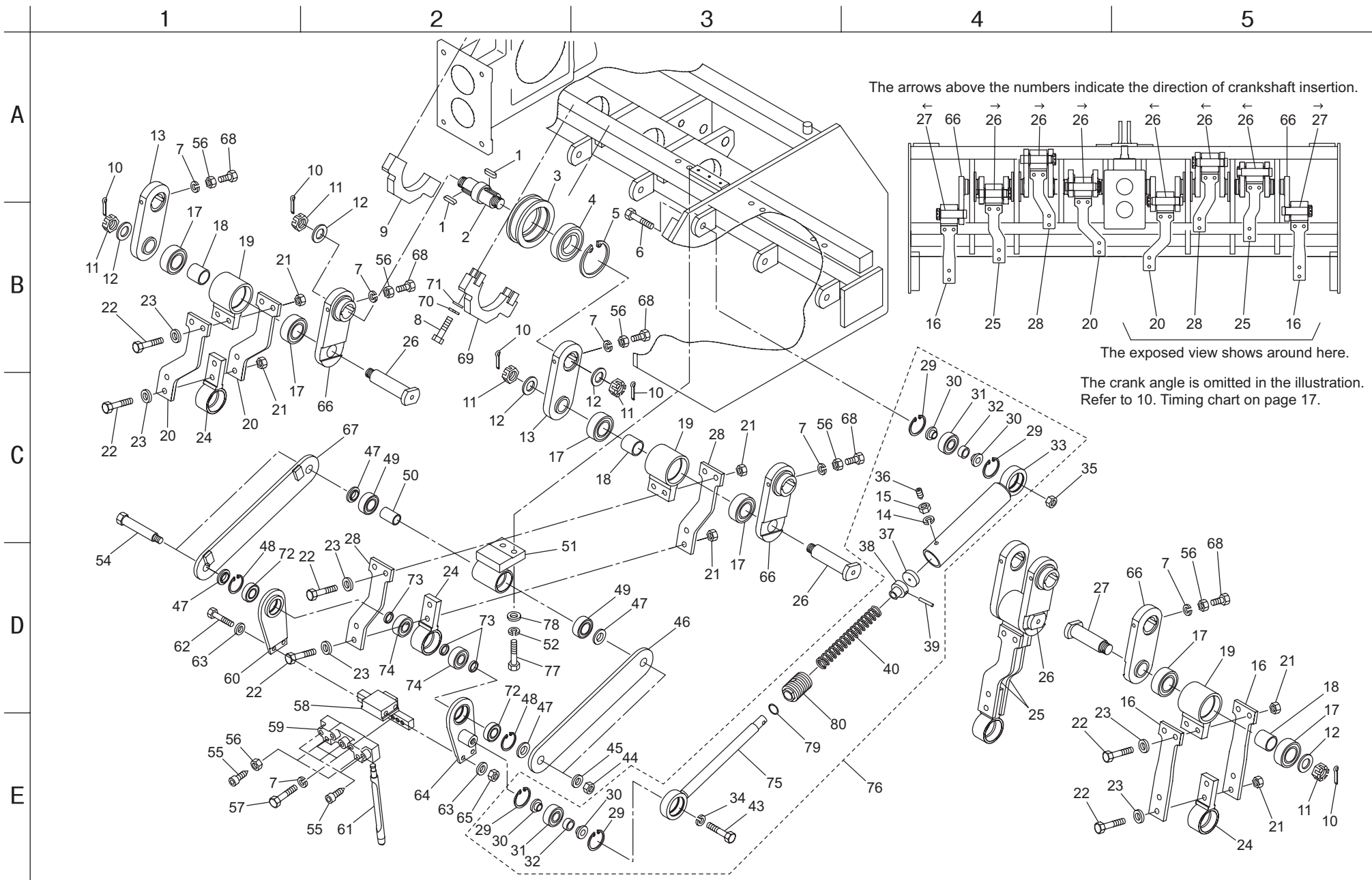
Cat No.	Code No.	Part name	Qty	Remarks
3 - 36	K0824062080	Oil seal MHSA40628	2	
3 - 37	TDA16000214Z0	Drive shaft C8	1	
3 - 38	K0862000050	Oil seal UE35729	1	
3 - 39	K1620000210	Drive shaft AS205-N400	1	
3 - 40	K0600062090	Bearing 6209	2	
3 - 41	TDA12000213Z0	30-tooth bevel gear	1	
3 - 42	K0500808310	8 both-end round key 831.5	2	
3 - 43	K0013121002	12 heat treated bolt 100	1	
3 - 44	TDA12000216Z0	Packing B	1	
3 - 45	TDA12000212AR	Crankshaft housing	1	
3 - 46	K0000100202	10 bolt 20	6	
3 - 47	TDA12000220ZR	Change guide	1	
3 - 48	K0000060502	6 bolt 50	1	
3 - 49	K5012306202	2.3SPCC washer 620	2	
3 - 50	K1000000309	1.6 compression spring 13.720	1	
3 - 51	K0000060252	6 bolt 25	1	
3 - 52	K6210000272	12.2 collar 256	4	
3 - 53	K5073212252	3.2SPCC washer 1225	2	
3 - 54	K0144120002	12U nut	1	
3 - 55	K2915000200	Gear oil VG680 20L can	-	Consumption = 3.8 L
3 - 56	TDA16000222Z0	Gearbox Ass'y	1	

3. Gearbox

TDA1600

4. Crank

TDA1600



Cat No.	Code No.	Part name	Qty	Remarks
4 - 1	K0500808310	8 both-end round key 831.5	28	
4 - 2	TDA16000302Z0	Drive shaft 8	6	
4 - 3	TDA12000304ZR	Crank housing	6	
4 - 4	K0608062090	Bearing 62092RS	6	
4 - 5	K0402085001	Stop ring R85	6	
4 - 6	K0013140502	14 heat treated bolt 50	8	
4 - 7	K0200100002	10S washer	44	
4 - 8	K0013120702	12 heat treated bolt 70	16	
4 - 9	TDA12000121AR	Housing mounting plate	2	
4 - 10	K0300032402	3.2 cotter pin 40	22	
4 - 11	TDA12000370Z8	24 nut B	22	
4 - 12	K0212240001	24 disc spring washer 1L	22	
4 - 13	TDA12000301AR	Crank bracket	6	
4 - 14	K0200080002	8S washer	8	
4 - 15	K0100080002	8 nut	8	
4 - 16	TDA16000308ZR	Upper arm D1	4	
4 - 17	K0612062060	Bearing 62062RD	16	
4 - 18	K6212002370	30STKM collar 3635	8	
4 - 19	TDA12000305AR	Upper housing	8	
4 - 20	TDA16000305ZR	Upper arm A1	4	
4 - 21	K0144120002	12U nut	32	
4 - 22	K0010120602	12 heat treated bolt 60	32	
4 - 23	K5000120002	12 washer	32	
4 - 24	TDA16000310ZR	Lower housing A8	8	
4 - 25	TDA16000307ZR	Upper arm C1	4	
4 - 26	TDA12000371Z0	Crankshaft A24	6	
4 - 27	TDA12000372Z0	Crankshaft B24	2	
4 - 28	TDA16000306ZR	Upper arm B1	4	
4 - 29	K0402047001	Stop ring R47	32	
4 - 30	TDA12000323Z2	Box lock collar	32	
4 - 31	K0613060050	Bearing 60052RDC3	16	
4 - 32	TDA12000324Z0	Urethane collar	16	
4 - 33	TDA16000318ZD	Spring box 8	8	
4 - 34	K0200140002	14S washer	8	
4 - 35	K0144140002	14U nut	8	

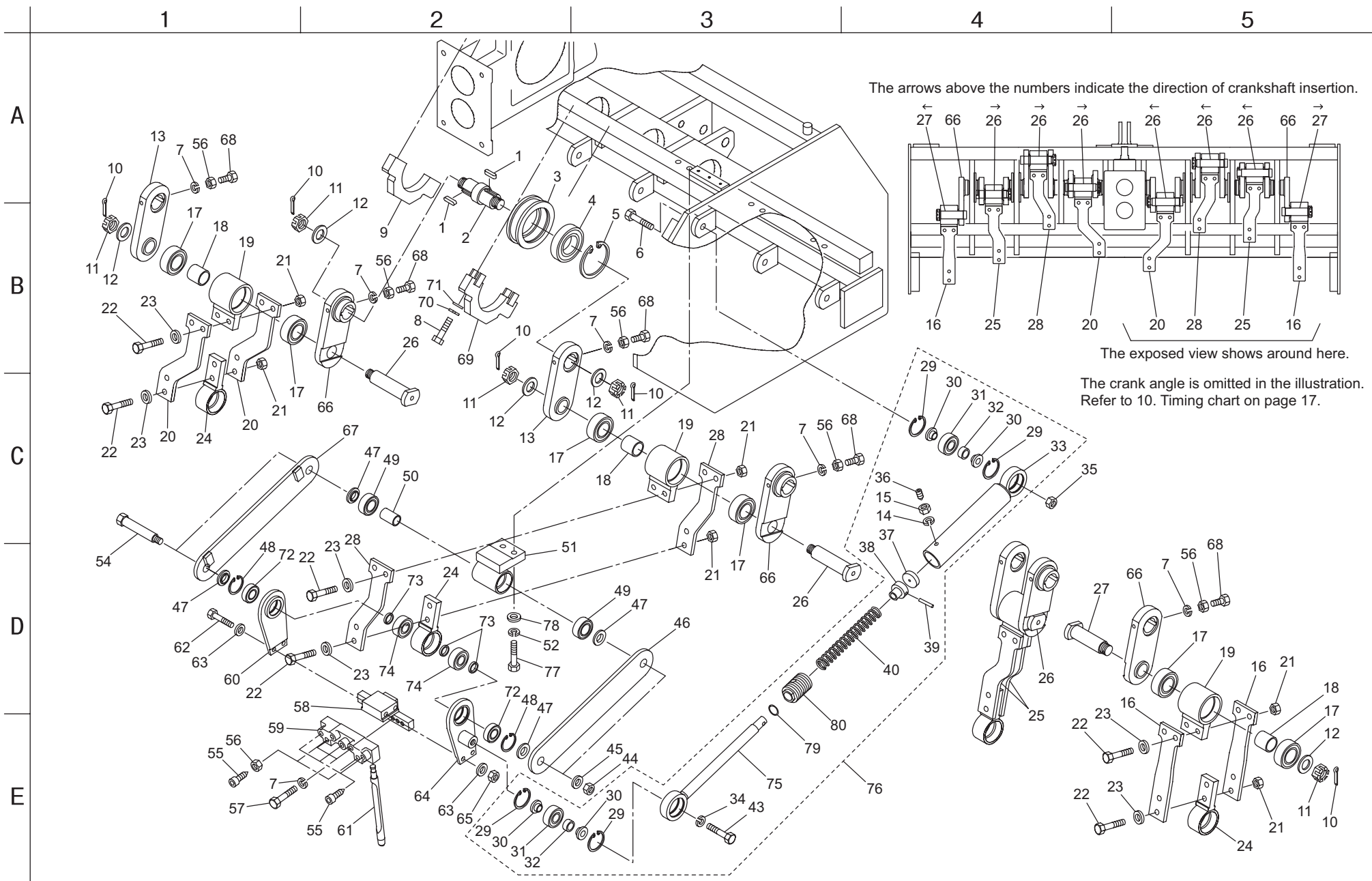
Cat No.	Code No.	Part name	Qty	Remarks
4 - 36	K0028080200	8 stainless hollow set 20	8	
4 - 37	TDA12000327Z0	Urethane seat	8	
4 - 38	TDA12000365Z0	Spring clamping ring	8	
4 - 39	K0324080351	8 spiral pin 35	8	
4 - 40	K1000000890	5 compression spring 36210	8	
4 - 41				
4 - 42				
4 - 43	K0013140452	14 heat treated bolt 45	8	
4 - 44	K0145140002	14U nut P1.5	16	
4 - 45	K0212140002	14 disc spring washer 1L	16	
4 - 46	TDA16000314ZR	Lower arm 8	8	
4 - 47	TDA16000336Z2	BG collar 8	32	
4 - 48	K0402042001	Stop ring R42	16	
4 - 49	K0612062040	Bearing 62042RD	16	
4 - 50	K6212000180	20.2STKM collar 25.440	8	
4 - 51	TDA12000315ZR	Lower housing B	8	
4 - 52	K0200120002	12S washer	16	
4 - 53				
4 - 54	TDA16000335Z0	Arm shaft B8	16	
4 - 55	K0071001110	10 stainless steel hexagon socket head special bolt 30	40	
4 - 56	K0100100002	10 nut	44	
4 - 57	K0010100602	10 heat treated bolt 60	16	
4 - 58	TDA16000317ZR	Tine holder 8	8	
4 - 59	TDA12000325A2	Φ12 Φ18 tine mounting plate	8	
4 - 60	TDA16000315AR	Tine holder A	8	
4 - 61	K2590000220	Φ17V tine 215	24	
4 - 62	K0013100902	10 heat treated bolt 90	16	
4 - 63	K5000100002	10 washer	32	
4 - 64	TDA16000316AR	Tine holder B	8	
4 - 65	K0144100002	10U nut	16	
4 - 66	TDA12000361AR	Crank metal fittings A	8	
4 - 67	TDA16000363ZR	Lock plate 8	8	
4 - 68	K0010100402	10 heat treated bolt 40	28	
4 - 69	TDA12000130AR	Housing mounting plate A	6	
4 - 70	K0200120002	12S washer	16	

4. Crank

TDA1600

4. Crank

TDA1600



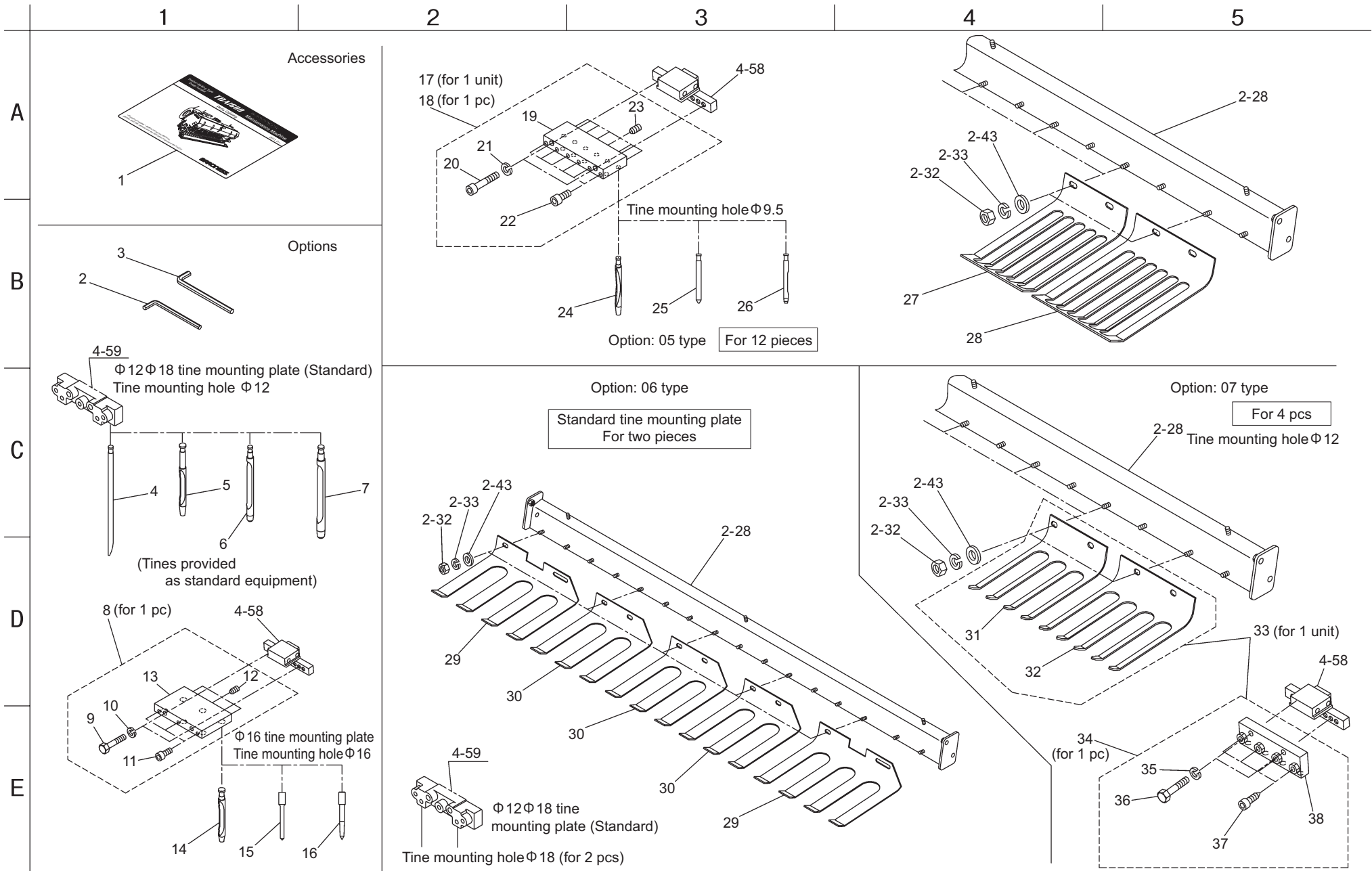
Cat No.	Code No.	Part name	Qty	Remarks
4 - 71	K5012312222	2.3SPCC washer 1222	16	
4 - 72	K0612060040	Bearing 60042RD	16	
4 - 73	K6212000160	20.2STKM collar 25.44.75	24	
4 - 74	K0617063040	Bearing 63042NSE	16	
4 - 75	TDA16000364ZD	Spring shaft 8	8	
4 - 76	TDA16000373A0	Spring box 8 Ass'y	8	
4 - 77	K0010120502	12 heat treated bolt 50	16	
4 - 78	K5074512252	4.5SPHC washer 1225	16	
4 - 79	K0880022000	O-ring P22	8	
4 - 80	TDA12000375ZD	Clamp A	8	

Cat No.	Code No.	Part name	Qty	Remarks

4. Crank	TDA1600
----------	---------

5. Accessories and options

TDA1600



Cat No.	Code No.	Part name	Qty	Remarks
	Accessory			
5 - 1	TDA160E07K-01	TDA1600 Parts Catalog	1	
	Option			
5 - 2	K4813040001	Allen wrench 4	1	
5 - 3	K4813060001	Allen wrench 6	1	
5 - 4	K2590000200	Φ12 solid tine 315	24	
5 - 5	K2590000240	Φ13V tine 225	24	
5 - 6	K2590000220	Φ17V tine 215	24	
5 - 7	K2590000230	Φ17V tine 265	24	
5 - 8	TDA12000420Z0	Φ16 tine mounting plate Ass'y	8	
5 - 9	K0013101302	10 heat treated bolt 130	16	
5 - 10	K0200100002	10S washer	16	
5 - 11	K0060080150	8 stainless steel hexagon socket head bolt 15	24	
5 - 12	K0023080061	8 hollow set 6	24	
5 - 13	TDA12000401Z2	Φ16 tine mounting plate 6	8	
5 - 14	GA1100-9120Z0	Φ12V tine 120	48	
5 - 15	GA7000-1101Z0	Φ16V tine 125	48	
5 - 16	GA700--1130B0	Φ8 spike tine	48	
	Option 05 type			
5 - 17	TDA16000510Z0	Φ12 tine Ass'y	1	
5 - 18	TDA12000520Z0	Φ12 tine mounting plate Ass'y	8	
5 - 19	GA1100-4402Z2	Φ12 tine mounting plate 12	8	
5 - 20	K0060100800	10 stainless steel hexagon socket head bolt 80	16	
5 - 21	K0200100002	10S washer	16	
5 - 22	K0060080150	8 stainless steel hexagon socket head bolt 15	48	
5 - 23	K0023080101	8 hollow set 10	48	
5 - 24	GA1100-9120Z0	Φ12V tine 120	96	
5 - 25	GA700--1150A0	Φ10 solid tine	96	
5 - 26	GA700--1145A0	Φ10V tine 100	96	
5 - 27	TDA16000530ZD	Lawn push plate 8A for 12	7	
5 - 28	TDA16000531ZD	Lawn push plate 8B for 12	1	
	Option 06 type			
5 - 29	TDA16000602ZD	Lawn push plate 8B for 2 pcs	2	
5 - 30	TDA16000601ZD	Lawn push plate 8B for 2 pcs	3	

Cat No.	Code No.	Part name	Qty	Remarks
	Option 07 type			
5 - 31	TDA16000702ZD	Lawn push plate A for 4-12	7	
5 - 32	TDA16000703ZD	Lawn push plate B for 4-12	1	
5 - 33	TDA16000710Z0	4-12 holder part Ass'y	1	
5 - 34	TDA12000720Z0	4-12 holder Ass'y	8	
5 - 35	K0200100002	10S washer	16	
5 - 36	K0010100402	10 heat treated bolt 40	16	
5 - 37	K0071001110	10 stainless steel hexagon socket head special bolt 30	32	
5 - 38	TDA12000701Z2	4-12 holder	8	

5. Accessories and options

TDA1600

 **KYOEISHA CO., LTD.**
Head Office 1-26, Miyuki-cho, Toyokawa,
Aichi-Pref. 442-8530 Japan.

BARONESS
Turf Care Machinery
Tel : (0533)84-1221
Fax : (0533)84-1220