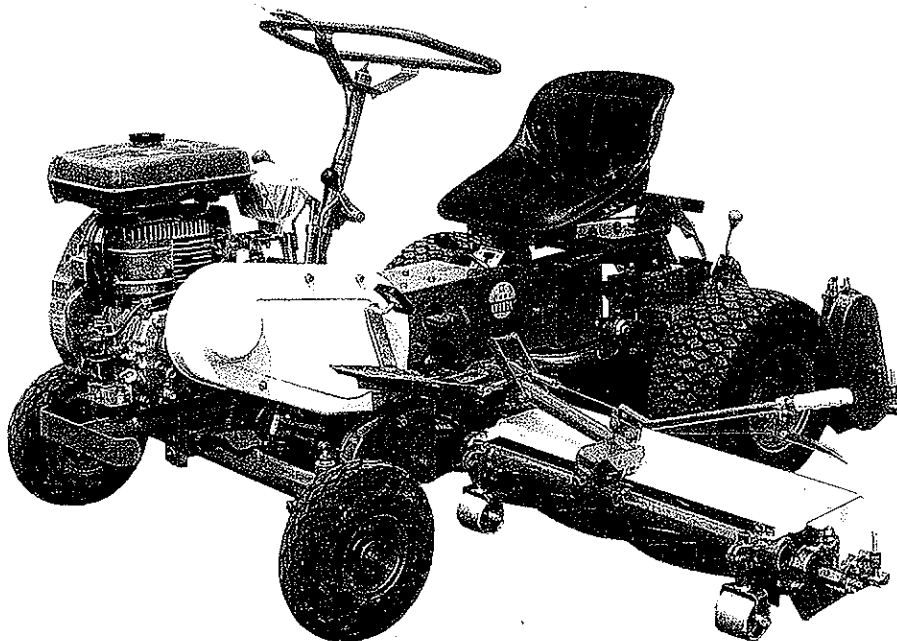


BARONNESS

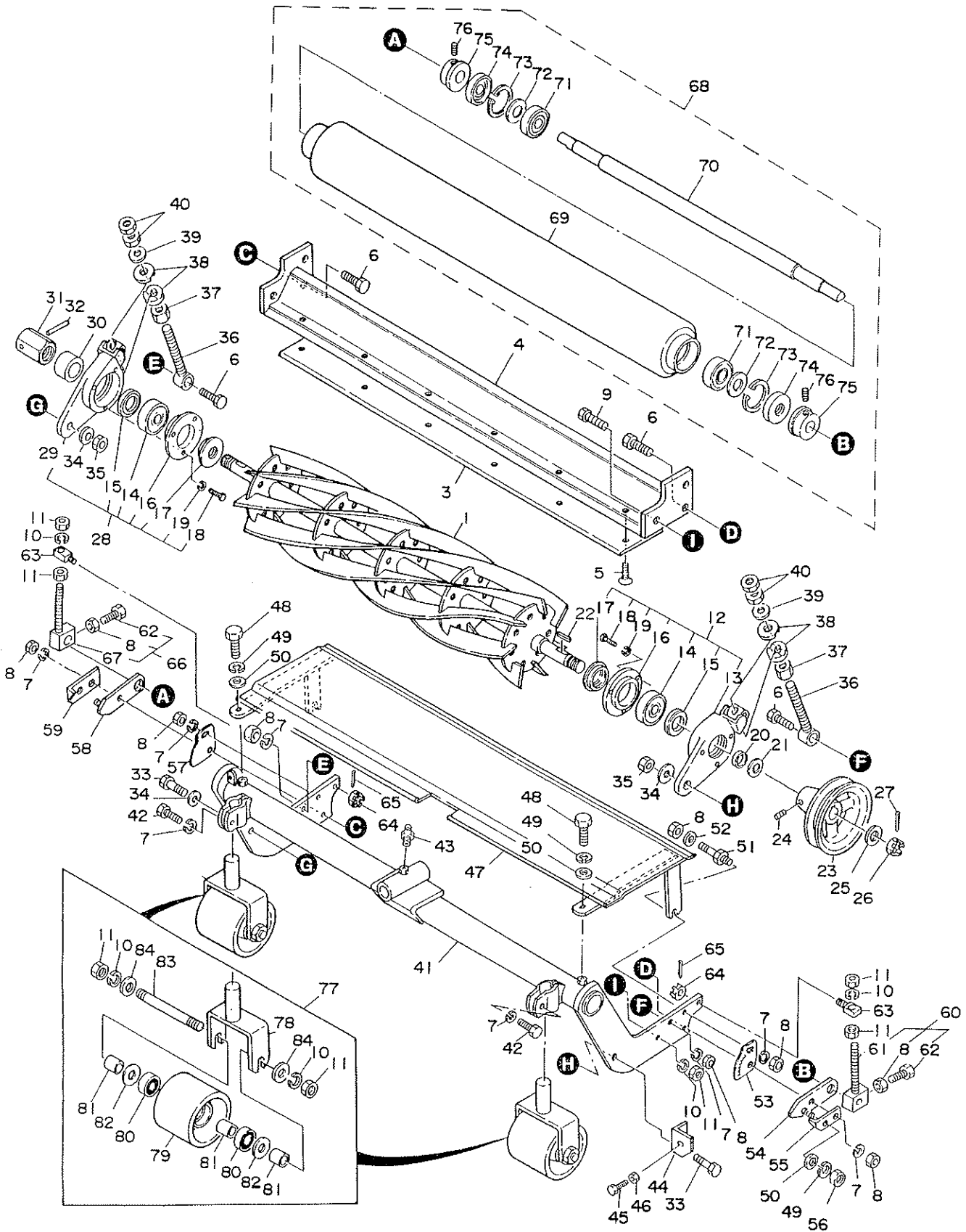
LM180A

Triple Mower

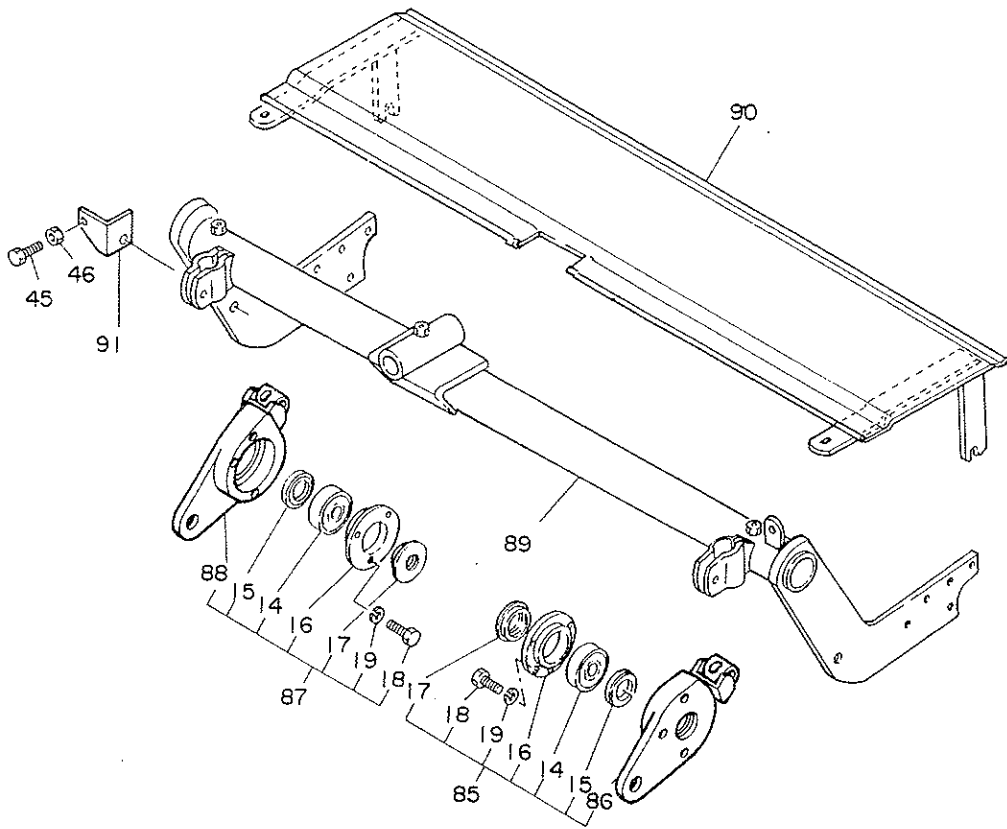


Saxon Industries. Everland Road, Hungerford, Berks. RG17 0DX
Tel: 01488 689400 Fax: 01488 684317 Email horti@saxonind.co.uk

Section 1



Section 1



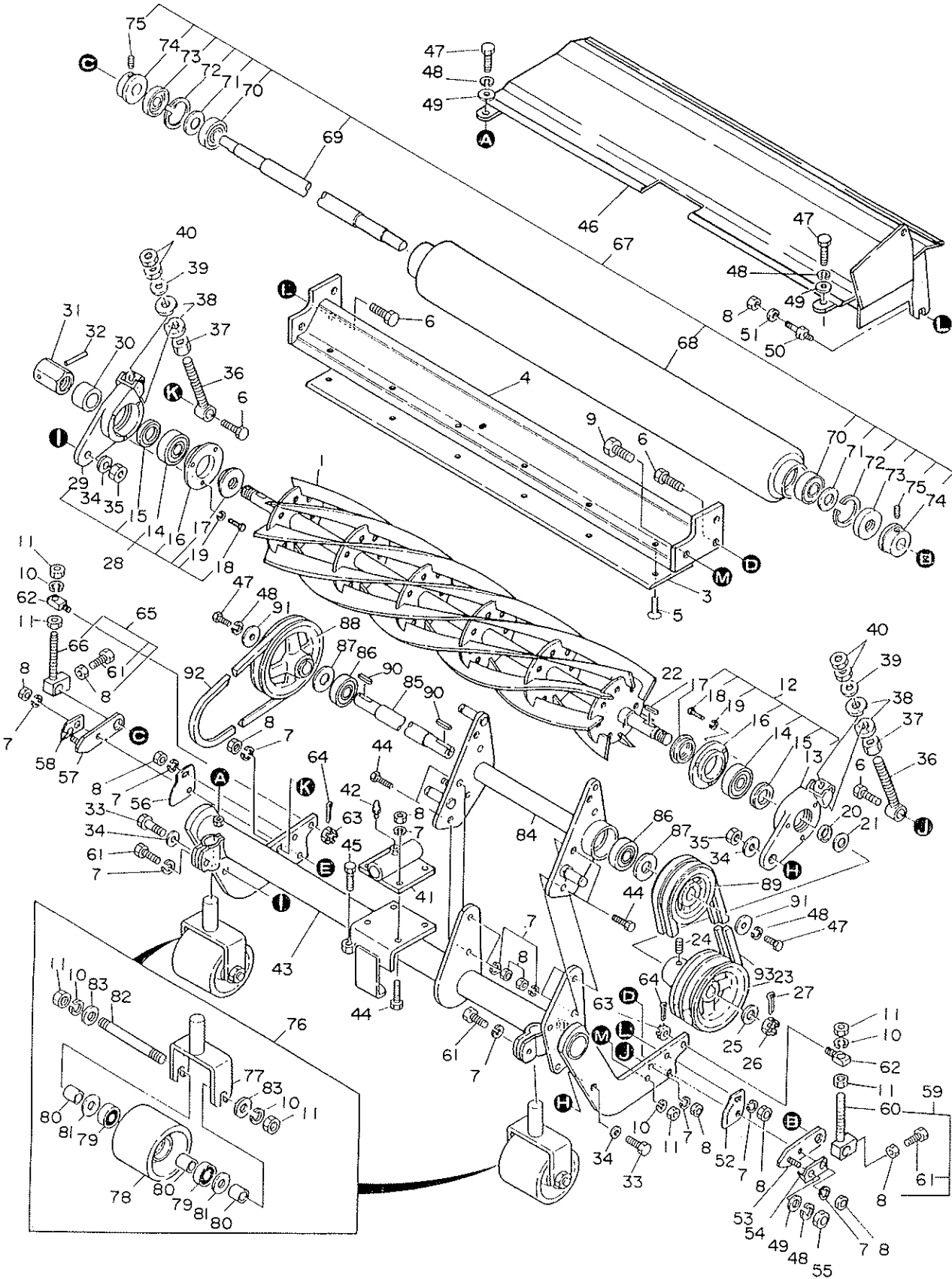
Section 1

Position	Part No	Description	Qty
1	A-1	7 Blade cylinder	2
2	A-1A	5 Blade cylinder	2
3	K2510000030	Bottom blade	2
4	LM180A-0102AR	Blade holder	2
5	K0071000092P	Blade screw M10x20	12
6	K0000100352	Bolt M10x35	8
7	K0200100002	M10 Spring washer	24
8	K0100100002	Nut M10 full	20
9	K0000120352	Bolt M12x35	4
10	K0200120002	M12 Spring washer	12
11	K0100120002	Nut M12 full	12
12	A1-12	Bearing block assy	1
13	LM180A-0108Z2	Reel bracket LH (A)	1
14	6304ZZ	Bearing	4
15	K0860000050	Dust Seal	4
16	A-14	Housing cover	4
17	K0822542080	Oil Seal MHSA25428	4
18	K0000060152	Bolt M6x15	12
19	K0200060002	M6 Spring washer	12
20	K6212000162	Spacer	2
21	K5030520400	Washer	2
22	K0550000050	Key 5x5x42	2
23	K242000001D	Pulley	2
24	K0023080081	M8x8 Grub screw	2
25	K5073220402	Washer	2
26	K0170000012	M20 (P1.5) castalated	2
27	K0300032362	Split pin 3x35	2
28	A1-28	Bearing block assy	1
29	LM180A-0111Z2	Reel bracket RH (B)	1
30	A-28	Water prevention cap	2
31	LM180A-1101C2	Collar	2
32	K0320030251	Pin 3x25	2
33	LM180A-0120Z2	Bolt	4
34	K5073215302	Washer M14	6
35	K0145140002	Nut M14 (P1.5)	4

36	K6511000092	Height adjuster	4
37	LM180A-0135Z	Nut M10 P1 fine	4
38	K6500000102	Clamp washer	8
39	K5051010200	Washer	4
40	K0106100002	Nut M10 (P1)	8
41	LM180A-0141AR	Mower Frame	1
42	K0000100252	Bolt M10x30	4
43	K1440000010	M6 Grease nipple	1
44	LM180A-1015A2	Scraper	1
45	K0000060402	Bolt M6x40	2
46	K0100060002	M6 Nut	2
47	LM180B-0143ZR	Cylinder guard	1
48	K0007080202	Bolt M8x20	4
49	K0213080001	M8 Spring washer	8
50	K5000080002	M8 Flat washer	4
51	LM180A-0147Z2	Stud	4
52	K5000100002	M10 Washer	2
53	LM180B-0160Z0	Graduation plate	2
54	LM180B-0150Z2	Indicator	2
55	LM180A-0251Z2	Indicator plate	2
56	K0100080002P	M8 Nut	4
57	LM180B-0162Z0	Graduation plate	2
58	LM180B-0150Z2	Indicator	2
59	LM180A-0252Z2	Indicator plate	2
60	LM180B-0153Z0	Adjuster assy	1
61	LM180B-0154Z2	Height adjuster	2
62	K0000100252	Bolt M10x30	4
63	LM180B-0156Z2	Fixing screw	4
64	K0124120002	M12 Castalated nut	4
65	K0300032252	3x25 Split pin	4
66	LM180B-0153Z0	Adjuster assy	1
67	LM180B-0154Z2	Height adjuster	2
68	A1-68	Roller assy	1
69	LM180A-0161A2	Roller tube	2
70	LM180B-0159Z0	Roller shaft	2
71	6203ZZ	Bearing	4
72	K5030517400	Dust plate	4
73	K0402040001	R40 Circlip	4
74	K0830000040	Seal 17.40.10	4

75	LM180A-0166Z2	Dust cover	4
76	K0023060101	M6x10 Grub screw	4
77	LM180B-1201Z0	Front roller assy	2
78	LM180A-1204Z2	Roller bracket	4
79	K6809000020	Alloy scalp roller	4
80	6201ZZ	Bearing	8
81	K6211000052	Spacer	12
82	K5030512300	Washer	8
83	K0070000032	Roller shaft	4
84	K5000120002	M12 Flat washer	8
85	A1-85	Bearing block assy	1
86	LM180A-0109Z2	Reel bracket LH (B)	1
87	A1-87	Bearing block assy	1
88	LM180A-0110Z2	Reel bracket RH (A)	1
89	LM180A-0140AR	Mower frame	1
90	LM180BS0179Z0	Cylinder guard	1
91	LM180A-1015A2	Scraper	1

Section 2



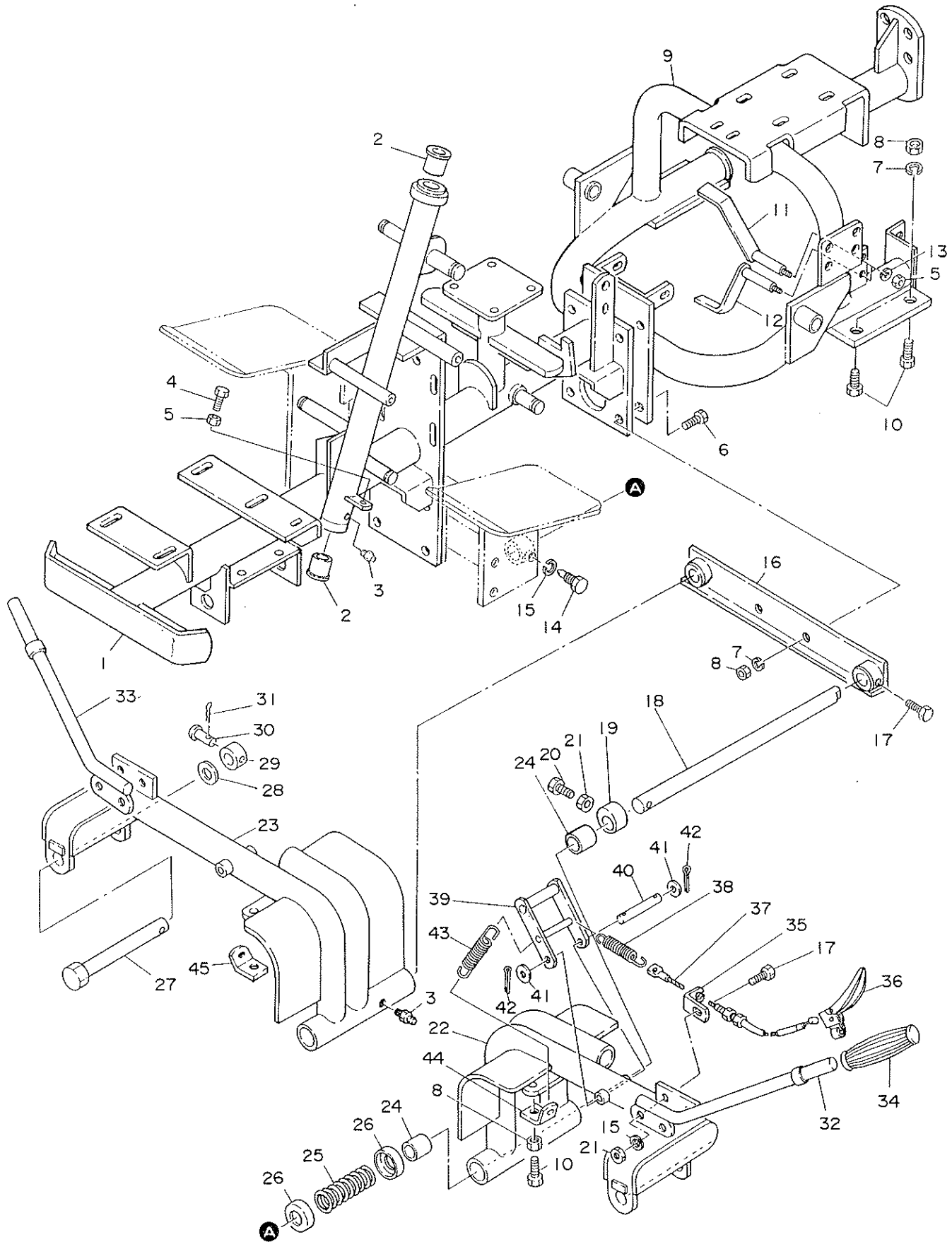
Section 2

Position	Part No	Description	Qty
1	K28180205BR	7 Blade cylinder	1
2	B-1A	5 Blade cylinder	1
3	K2510000020	Bottom Blade	1
4	LM180A-0202AR	Blade carrier	1
5	K0071000092P	M10x20 C/S Screw	7
6	K0000100352	Bolt M10x35	4
7	K0200100002	M10 Spring washer	18
8	K0100100002	Nut M10 full	18
9	K0000120352	Bolt M12x35	2
10	K0200120002	M12 Spring washer	2
11	K0100120002	Nut M12 full	2
12	A2-12	Bearing block assy	1
13	LM180A-0108Z2	Reel bracket LH (A)	1
14	6304ZZ	Bearing	2
15	K0860000050	Dust seal	2
16	A-14	Housing cover	2
17	K0822542080	Seal MH3A254210F	2
18	K0000060152	Bolt M6x15	6
19	K0200060002	M6 Spring washer	6
20	K6212000162	Spacer	1
21	K5030520400	Washer	1
22	K0550000050	Key 5x5x42	1
23	LM180A-0225BD	Reel pulley	1
24	K0023080081	M8x8 Grub screw	1
25	K5073220402	Washer	1
26	K0170000012	M20 (1.5) Castalated nut	1
27	K0300032362	3x35 Split pin	1
28	A2-28	Bearing block assy	
29	LM180A-0111Z2	Reel bracket RH (B)	1
30	A-28	Water prvention cap	1
31	LM180A-1101C2	Collar	1
32	K0320030251	3x25 pin	1
33	LM180A-0120Z2	Bolt	2
34	K5073215302	M14 Washer	4
35	K0145140002	M14 (P1.5) Nut	2

36	K6511000092	Height adjuster	2
37	LM180A-0135Z2	M10 P1 H12 Nut	2
38	K6500000102	Clamp washer	4
39	K5051010200	M10 Washer	2
40	K0106100002	M10 (P1) Nut	4
41	LM180A-0296AR	Mower Bracket	1
42	K1440000010	M6 Grease nipple	1
43	LM180A-0241BR	Mower frame	1
44	K0000100252	M10x30 Bolt	8
45	K0000120402	M12x40 Bolt	1
46	LM180BS0279Z0	Cylinder guard	1
47	K0007080202	Bolt M8x20	4
48	K0213080001	M8 Spring washer	4
49	K5000080002	M8 Flat washer	2
50	LM180A-0147Z2	Stud	2
51	K5000080002	M10 Washer	2
52	LM180B-0160Z0	Graduation plate	1
53	LM180B-0150Z2	Indicator	1
54	LM180A-0251Z2	Indicator plate	1
55	K0100080002	M8 Full nut	2
56	LM180B-0162Z0	Graduation plate	1
57	LM180A-0149Z2	Indicator	1
58	LM180A-0252Z2	Indicator plate	1
59	LM180B-0153Z0	Height adjusting screw	1
60	LM180B-0154Z2	Height adjuster	1
61	K0000100252	Bolt M10x25	4
62	LM180B-0156Z2	Fixing screw	2
63	K0124120002	M12 Castalated nut	2
64	K0300032252	3.2x25 Split pin	2
65	LM180B-0153Z0	Height adjusting screw	1
66	LM180B-0154Z2	Height adjuster	1
67	A2-67	Roller assembly	1
68	LM180A-0261A2	Roller tube	1
69	LM180B-0259Z0	Roller shaft	1
70	6203ZZ	Bearing	2
71	K5030517400	Dust plate	2
72	K0402040001	R40 Circlip	2
73	K0830000040	Seal 17.40.10	2
74	LM180A-0166Z2	Dust prevention cover	2

75	K0023060101	M6x10 Grub screw	2
76	LM180B-1201ZO	Front roller assy	2
77	LM180A-1204Z2	Roller bracket	2
78	K6809000020	Alloy scalp roller	2
79	6201ZZ	Bearing	4
80	K6211000052	Spacer	6
81	K5030512300	Washer	4
82	K0070000032	Roller shaft	2
83	K5000120002	M12 Washer	4
84	LM180A-0296AR	Layshaft housing	1
85	LM180A-0272Z0	Layshaft	1
86	6204ZZ	Bearing	2
87	K5030520430	Dust plate	2
88	LM180A-0275Z2	Pulley	1
89	LM180A-0276ZD	Double pulley	1
90	K0500505250	5x5x25 Key	2
91	K5073208322	Washer	2
92	LB58	Belt	1
93	LA29	Belt	2

Section 3

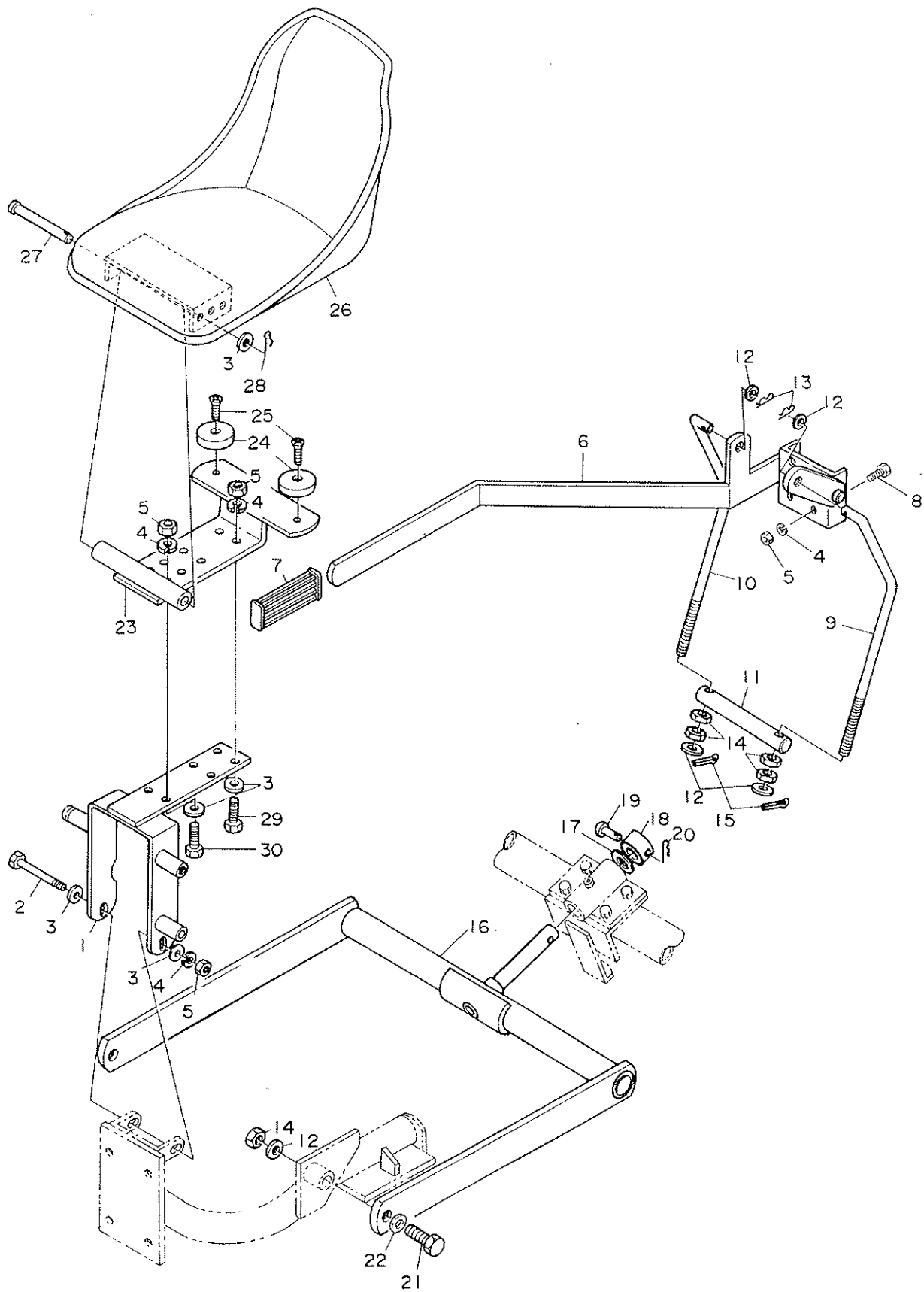


Section 3

Position	Part No	Description	Qty
1	A3-1	Main Frame	1
2	K6010000080	Bush 17.3 - 22.22	2
3	K1440000010	M6 Grease nipple	3
4	K0007080202	Bolt M8x20	1
5	K0100080002	M8 Full nut	3
6	K0000120452	M12x45 Bolt	4
7	K0200120002	M12 Spring washer	4
8	K0100120002	M12 Full nut	4
9	LM180B-0401ZD	Rear frame	1
10	K0000120302	M12x30 Bolt	4
11	LM180A-0450Z2	Belt guide	1
12	LM180A-0451Z2	Belt guide	1
13	K0100080002P	M8 Nut	2
14	LM180A-0308Z2	Bolt	2
15	K0200100002	M10 Spring washer	5
16	LM180A-0305AD	Frame	1
17	K0000100202	M10x20 Bolt	6
18	LM180A-0343Z2	Mower support shaft	2
19	K6218000032	Spacer	2
20	K0000100252	M10x25 Bolt	2
21	K0100100002	M10 Full nut	6
22	LM180B-0347AD	Lift frame LH	1
23	LM180B-0348ZD	Lift frame RH	1
24	K6000000320	Bush 22.3 3025	4
25	K1000000298	Spring	2
26	LM180A-0345Z2	Cup	4
27	LM180B-0384Z2	Pin	2
28	K5051020280	Thrust washer	2
29	LM180A-0351A2	Collar	2
30	K6040080402	Round head pin 8x40	2
31	K0330800008	R clip	2
32	LM180A-0358ZD	Lift arm LH	1
33	LM180A-0359ZD	Lift arm RH	1
34	K1300000080	Handle grip	2
35	LM180B-0380Z2	Stop unit	2

36	K1211111024	Release lever	2
37	K1170051200	Release cable	2
38	K1030000042	Spring	2
39	LM180A-0374BD	Lock arm	2
40	K6151000062	Shaft	2
41	K5000100002	M10 Washer	4
42	K0300032202	3.2x20 Split pin	4
43	K1030000038	Spring	2
44	LM180A-0379Z2	Bracket	1
45	LM180A-0385Z2	Bracket	1

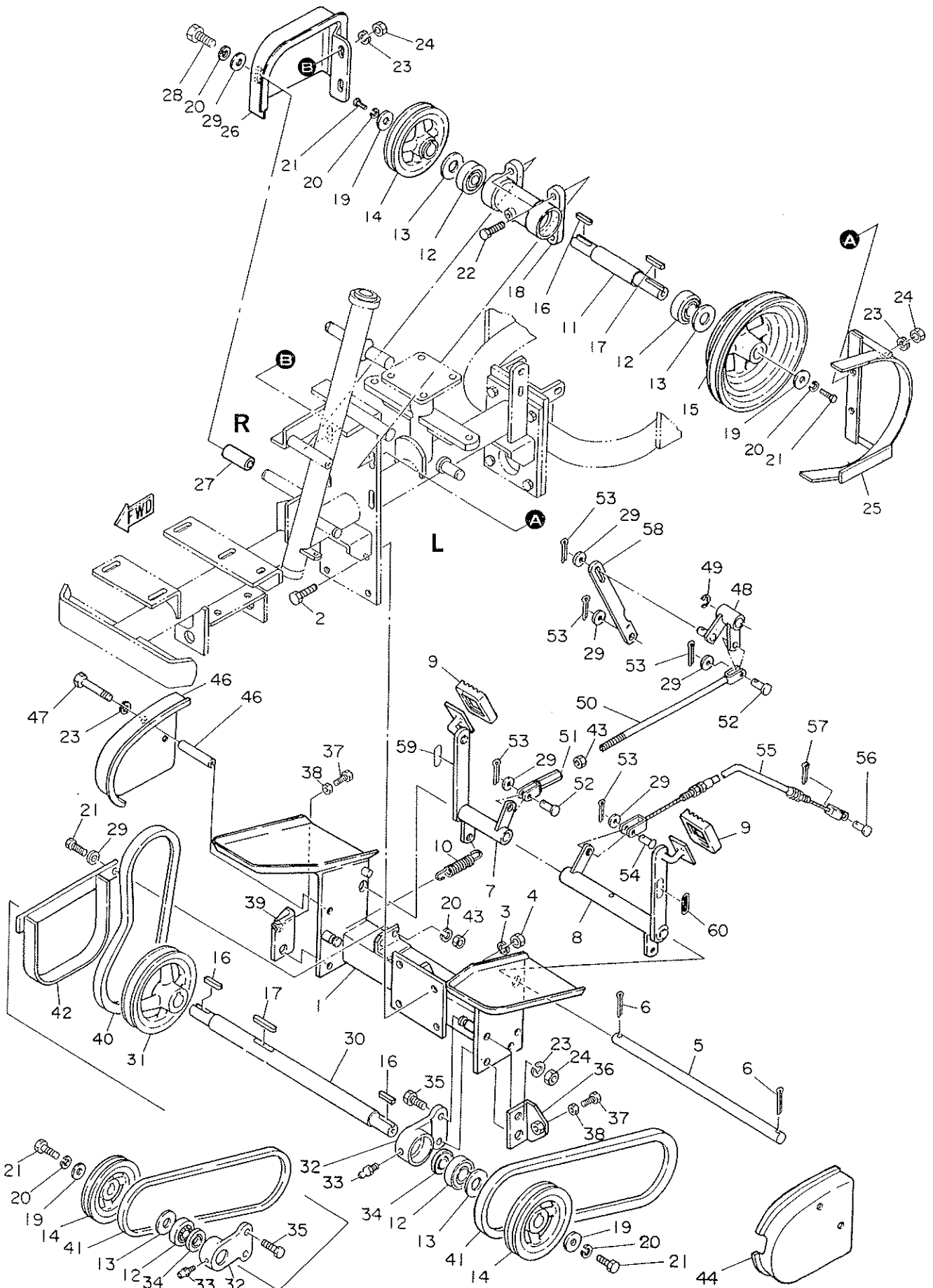
Section 5



Section 5

Position	Part No	Description	Qty
1	A5-1	Upper frame	1
2	K0003101302	M10x130 Bolt	1
3	K5000100002	M10 Washer	7
4	K0200100002	M10 Spring washer	9
5	K0100100002	M10 Full nut	9
6	LM180B-0408ZD	Lifting lever	1
7	K1300000090	Square lever grip	1
8	K000100252	M10x25 Bolt	4
9	LM180B-0409A2	Lifting shaft left	1
10	LM180B-0411A2	Lifting shaft right	1
11	LM180A-0410Z2	Lifting shaft	1
12	K5000120002	M12 Washer	6
13	K0331300002	13 Snap ring	2
14	K0100120002	M12 Half nut	6
15	K0331300002	4x30 Split pin	2
16	LM180B-0461ZD	Rear lift frame	1
17	K5051025350	1C5191P Washer 2535	1
18	LM180A-0463Z2	Collar	1
19	K6040080402	8x40 Round head pin	1
20	K0330800002	8 Snap ring	1
21	LM180A-0476Z2	Supporting shaft pin	2
22	K5074516402	4.5 SPHC Washer 1640	2
23	LM180A-0470ZD	Seat mounting bracket	1
24	K1701000040	Seat bracket rubber	2
25	K0041060162	M6x16 Counter sunk screw	2
26	Triple seat	Seat	1
27	K1701000022	Seat pin	1
28	K0331000002	10 Snap pin	1
29	K0000100402	M10x40 Bolt	2
30	K0000100302	M10x30 Bolt	2

Section 4

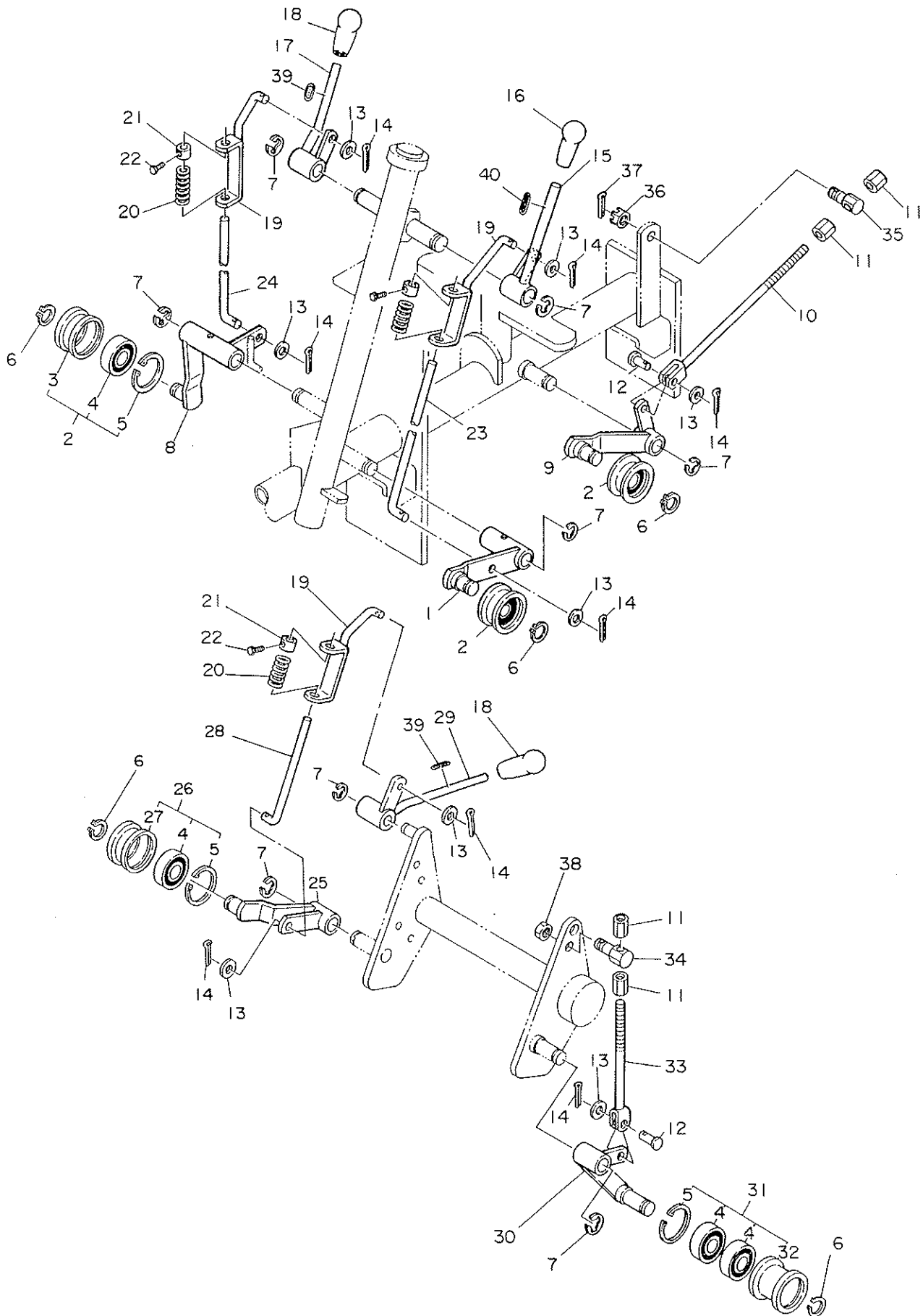


Section 4

Position	Part No	Description	Qty
1	LM180A-0303AD	Front frame	1
2	K0000120302	M12x30 Bolt	4
3	K0200120002	M12 Spring washer	4
4	K0100120002	M12 Full nut	4
5	LM180A-0306A2	Brake shaft	1
6	K0300032252	3x25 Split pin	2
7	LM180B-0309Z2	Brake pedal	1
8	LM180B-0310Z2	Diff lock pedal	1
9	K4050000010	Pedal rubber 55 - 75	2
10	K1030000048	Spring	2
11	LM180A-0312A0	Middle shaft	1
12	6204ZZ	Bearing	4
13	K5030520430	Dust plate	4
14	K242000002D	Pulley	3
15	LM180A-0316Z2	Pulley	1
16	K0500505250	Key 5x5x25	3
17	K0500505350	Key 5x5x35.5	2
18	LM180B-0319ZD	Shaft housing	1
19	K5073208322	Washer	4
20	K0213080001	M8 Spring washer	7
21	K0007080202	Bolt M8x20	4
22	K0000100402	M10x40 Bolt	4
23	K0200100002	M10 Spring Washer	12
24	K0100100002P	M10 Full Nut	8
25	LM180B-0335Z2	Belt Retainer	1
26	A4-26	Belt Cover	1
27	LM180B-1036Z2	9.2SGP Collar 13.840	1
28	K0003080502	M8x55 Bolt	4
29	K5000080002	M8 Washer	8
30	LM180A-0325A0	Intermediate shaft lower	1
31	LM180A-0328A2	Pulley	1
32	LM180B-0330Z2	Bearing Housing	2
33			
34	K0812242110	Seal MHS224211	2
35	K0000100352	M10x35 Bolt	4

36	LM180A-1024A2	Scraper Bracket	1
37	K0000060402	M6x40 Bolt	2
38	K0100060002	M6 Nut	2
39	LM180A-1024A2	Scraper Bracket	1
40	LB31	Belt	1
41	LB41	Belt	2
42	LM180B-0337ZD	Belt Stopper	1
43	K0100080002	M8 Nut	2
44	LM180A-1021AD	Pulley cover left	1
45	LM180A-1022AD	Pulley cover right	1
46	LM180A-1020A2	10.2 STKM Collar 1662	4
47	K0003100852	M10x85 Bolt	4
48	LM180A-0425A2	Joint	1
49	K0400012002	E Ring E12	1
50	A4-50	Brake Rod	1
51	LM180A-0426A2	Rod End	1
52	K6030080172	8x17 Pin	2
53	K0300020162	2x16 Split pin	5
54	K6040080222	8x22 Round head pin	1
55	K1190069000	Diff Lock Cable	1
56	K6030050152	5x15 Flat head pin	1
57	K0300020162	2x16 Split pin	1
58	LM180A-0430A2	Connecting plate	1
59	LM180A-0370Z0	Decal	1
60	LM180A-0371Z0	Decal	1

Section 6

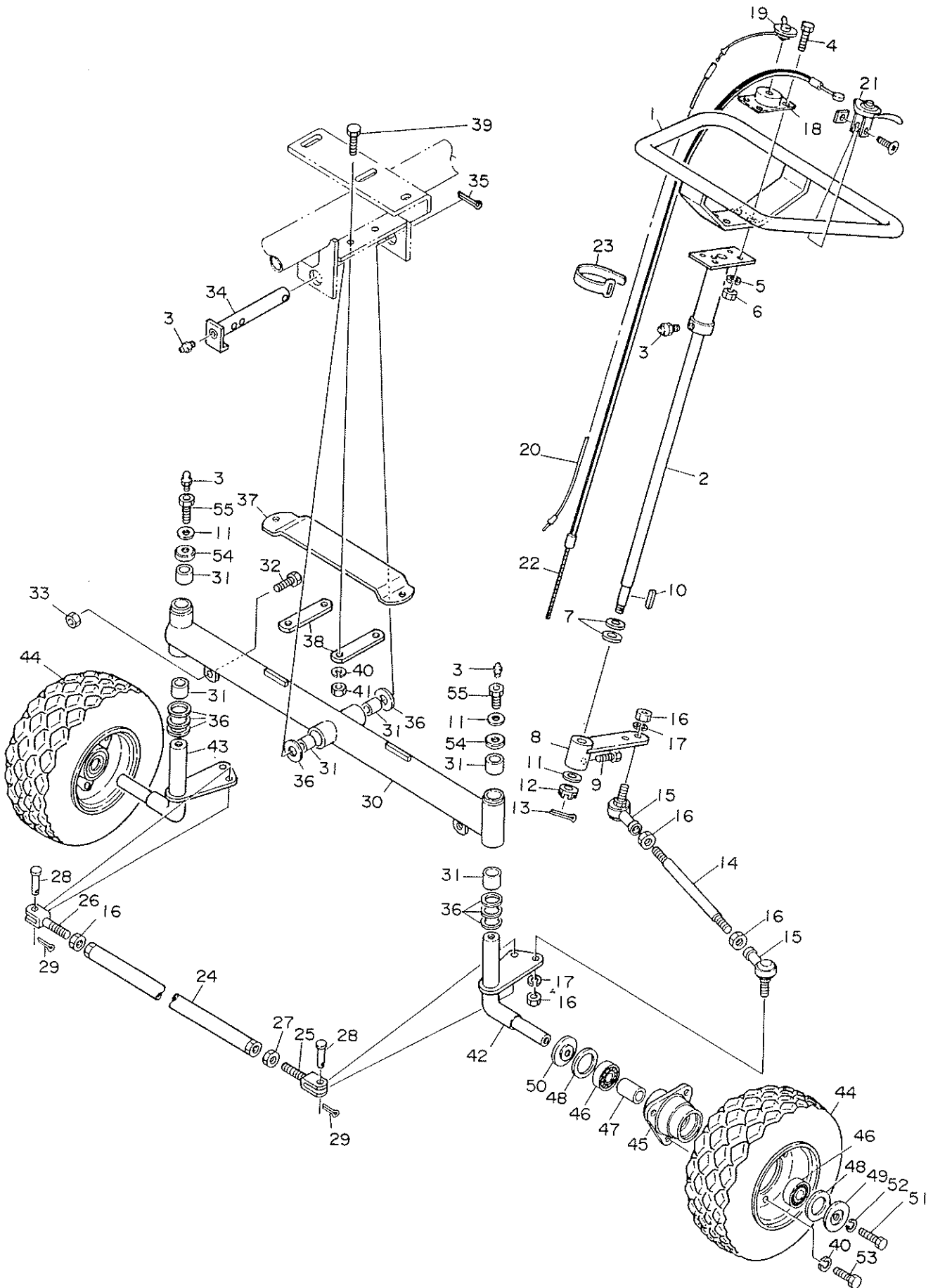


Section 6

Position	Part No	Description	Qty
1	LM180B-0501Z2	Tension lever A	1
2	K8030000070	Tension pulley assy 1846	1
3	K2471180462	Tension pulley 1846	3
4	6203 2RS	Bearing	6
5	K0402040001	R40 Retaining ring	5
6	K0401017001	S17 Stop ring	5
7	K0400012002	E12 Stop ring	8
8	LM180B-0507A2	Rear clutch lever	1
9	LM180B-0546Z2	Tension arm	1
10	LM180B-0509Z2	Belt tension shaft	1
11	K0160000352	M8 Tall nut	4
12	K6030080172	8x17 Flat head pin	2
13	K5000080002	M8 Washer	8
14	K0300025162	2.5x16 Split pin	8
15	LM180B-0513Z2	Travel clutch lever	1
16	K1300000040	9 Grip black 35.5	1
17	LM180B-0515Z2	Clutch lever	1
18	K1300000050	9 Grip red 35.5	2
19	LM180B-0522Z2	Rod tension lever	3
20	K1000000042	Compression spring 3.2 - 16.960	3
21	K6218000022	8.5 Collar 1915	3
22	K0000080152	M8x15 Bolt	3
23	LM180A-0526Z2	Tension rod left	1
24	LM180A-0527Z2	Tension rod right	1
25	LM180B-0547Z2	Tension lever A	1
26	K8030000080	Tension pulley assy 22150	1
27	K2471221502	Tension pulley 22150	1
28	LM180A-0532Z2	Tension rod rear	1
29	LM180B-0533Z2	Rear clutch lever	1
30	LM180B-0548Z2	Tension lever	1
31	K8030000090	Tension pulley assy 30150	1
32	K2471301502	Tension pulley 30150	1
33	LM180A-0536Z2	Belt tension shaft	1
34	LM180A-0537Z2	Fixing shaft	1
35	K6084000012	Fixing shaft	1

36	K0124120002	M12 Castelated nut	1
37	K0300032252	3.2x25 Split pin	1
38	K0100120002	M12 Nut	1
39	K4203000010	Decal	2
40	LM180A-0544Z0	Decal	1

Section 7

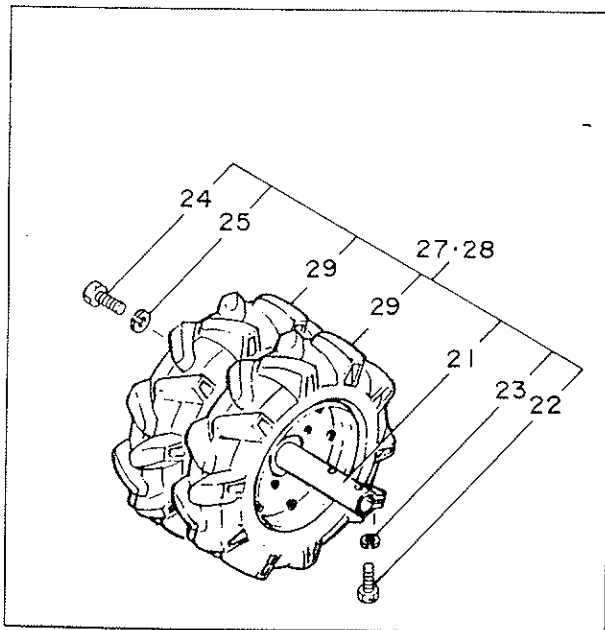
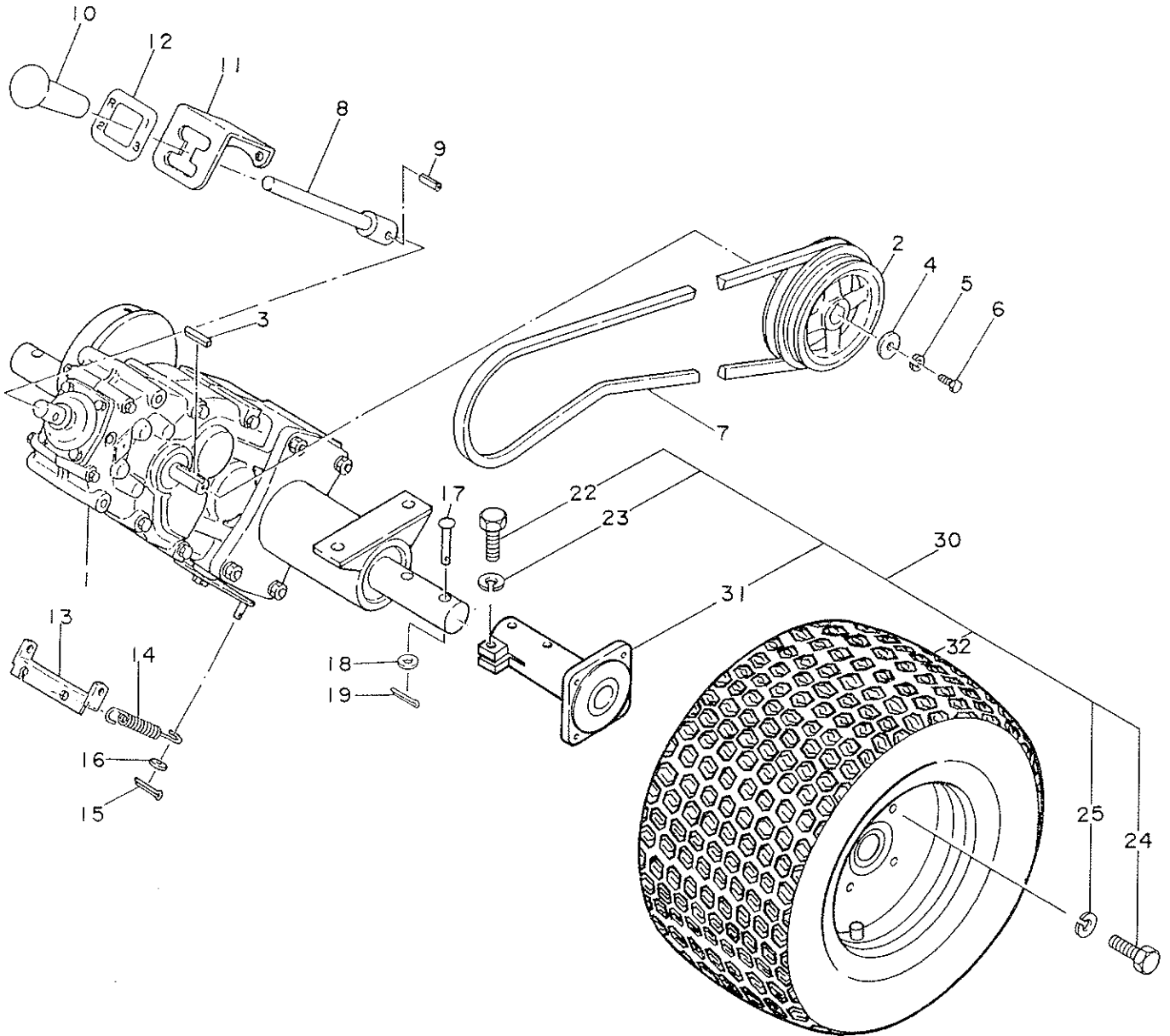


Section 7

Position	Part No	Description	Qty
1	LM180A-0701ZD	Steering wheel	1
2	LM180A-0702CD	Steering shaft	1
3	K1440000010	Grease nipple	4
4	K0010060202	M6x20 Bolt	4
5	K0200060002	M6 Spring washer	4
6	K0100060002	M6 Nut	4
7	K5051017300	1C5191P Washer 1730	2
8	LM180A-0706A2	Arm	1
9	K0000080152	M8x15 Bolt	1
10	K0500404310	Key 4x4x31.5	1
11	K5000120002	M12 Washer	1
12	K0124120002	M12 Castelated nut	1
13	K0300032252	3.2x25 Split pin	1
14	LM180A-0713Z2	Tie rod	1
15	K1604120000	Ball joint LHSA12	2
16	K0100120002	M12 Nut	4
17	K0200120002	M12 Spring washer	2
18	LM180B-0721ZD	Switch mounting plate	1
19	K3662000050	Engine switch	1
20	K3620000450	Switch wire	1
21	K1203521000	Throttle lever	1
22	LM180AT1608Z0	Throttle cable	1
23	K4242000022	Cable tie	1
24	LM180A-0712Z2	Tie rod	1
25	LM180A-0715Z2	Adjuster left	1
26	LM180A-0716Z2	Adjuster right	1
27	K0180120002	M12 Nut (LH Thread)	1
28	K6031100252	10x25 Flat head pin	2
29	K0300032202	3.2x20 Split pin	2
30	LM180A-0601ZD	Front axle	1
31	K6000000050	Bush 22.3 - 2620	6
32	K0000100402	M10x40 Bolt	2
33	K0100100002	M10 Nut	2
34	LM180A-0603Z2	Pin	1
35	K0300040322	4x32 Split pin	1

36	K5051022350	1C5191P Washer 2235	8
37	LM180A-0620ZD	Plate spring	1
38	LM180A-0621Z2	Mounting plate	2
39	K0000080302	M8x30 Bolt	4
40	K0200080002	M8 Spring washer	10
41	K0100080002	M8 Nut	4
42	LM180BS0606Z8	Stub axle left	1
43	LM180BS0607Z8	Stub axle right	1
44	K2060000010	Front wheel assy 4.00-5	2
45	K2160000072	Front wheel hub	2
46	6204ZZ	Bearing	4
47	K6212000180	20.2 STKM Collar 25.4 40	2
48	K4010132500	Dust plate	4
49	K5090000222	Outer cover	2
50	K5090000232	Inner cover	2
51	K0000100252	M10x25 Bolt	2
52	K0200100002	M10 Spring washer	2
53	K0000080202	M8x20 Bolt	6
54	LM180A-0616Z2	Dust proof cover	2
55	K0071000082	M12x15 Bolt with nipple thread	2

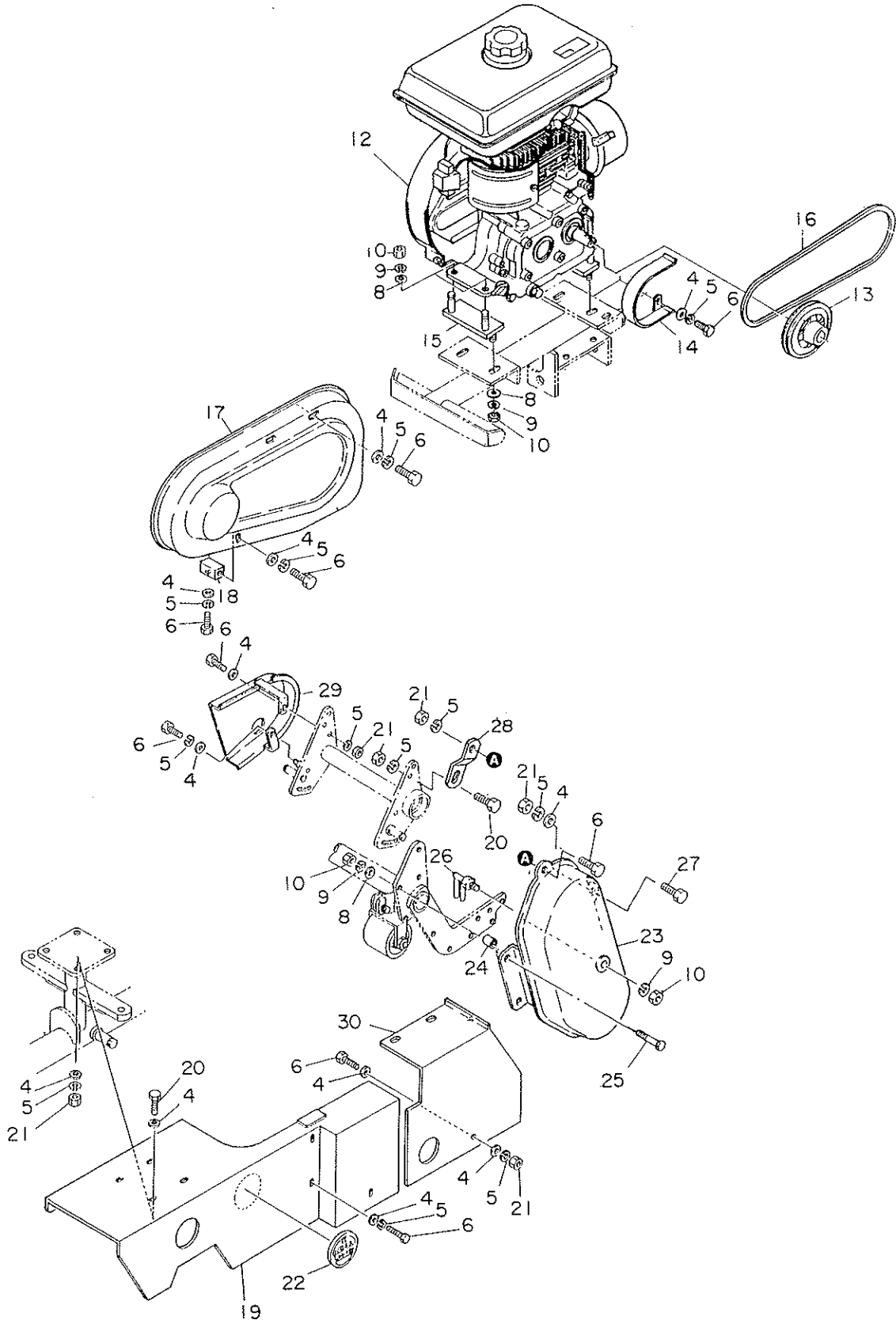
Section 8



Section 8

Position	Part No	Description	Qty
1	K2700000040	Transmission MC81GA07	1
2	LM180A-0802Z2	Transmission pulley	1
3	K0500505250	Key 5x5x25	1
4	K5012306252	2.3 SPCC Washer 625	1
5	K0200060002	M6 Spring washer	1
6	K0010060151	M6x15 Bolt	1
7	LB66	Belt	1
8	LM180A-0806A2	Change lever	1
9	K0320050251	5x25 Spring pin	1
10	K1300000030	Grip black 11 36	1
11	LM180A- 0809Z2	Guide plate	1
12	LM180A-0810Z0	Decal	1
13	K7350000032	Wire bracket	1
14	K104000003D	2 Hook spring 16104.5	1
15	K0300020162	2x16 Split pin	1
16	K5000060002	M6 Washer	1
17	K6041110632	11.5x63.5 Round head pin	2
18	K5000120002	M12 Washer	2
19	K0300032202	3.2x20 Split pin	2
21	LM180B-0817Z2	Wheel shaft	2
22	K0000120352	M12x35 Bolt	2
23	K0200120002	M12 Spring washer	2
24	K0010100252	M10x25 Bolt	16
25	K0200100002	M10 Spring washer	16
27	LM180A-0837Z0	Rear wheel assy left AG	1
28	LM180A-0838Z0	Rear wheel assy right AG	1
29	K2000000160	Tyre 4.00-8 AG	4
30	LM180B-0836Z0	Rear wheel assy 18X8.50-8	2
31	LM180B-0835Z2	Wheel hub	2
32	K2040000030	Tyre PD3. 18x8.50-8	2

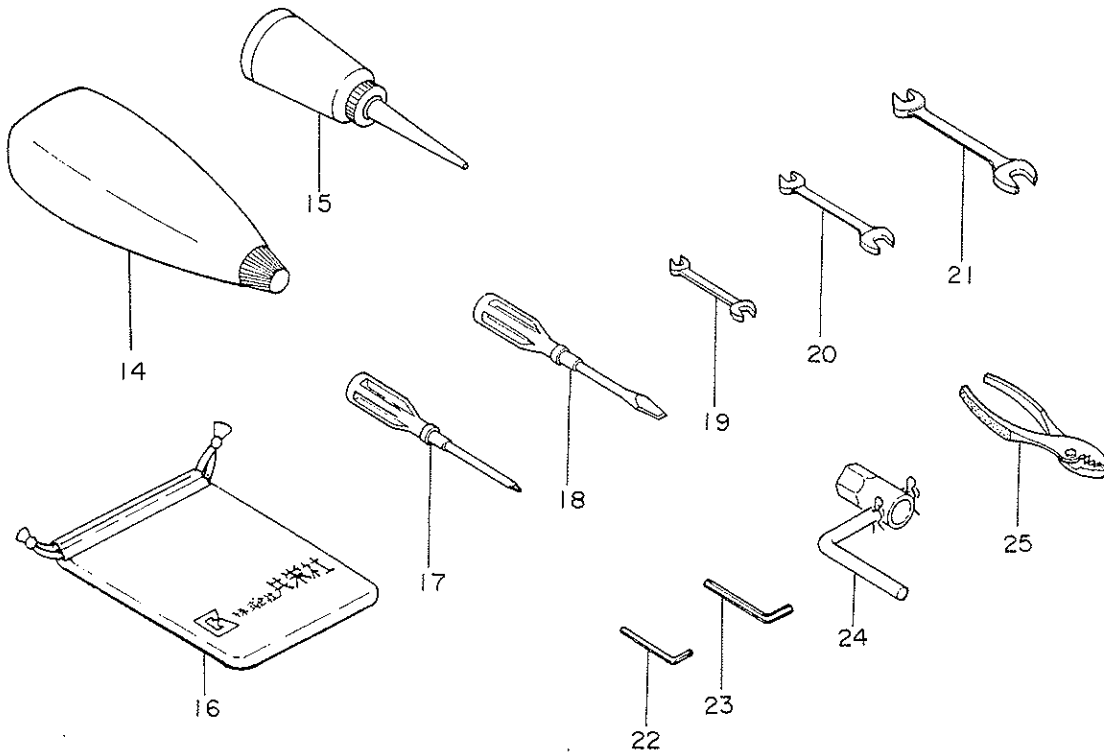
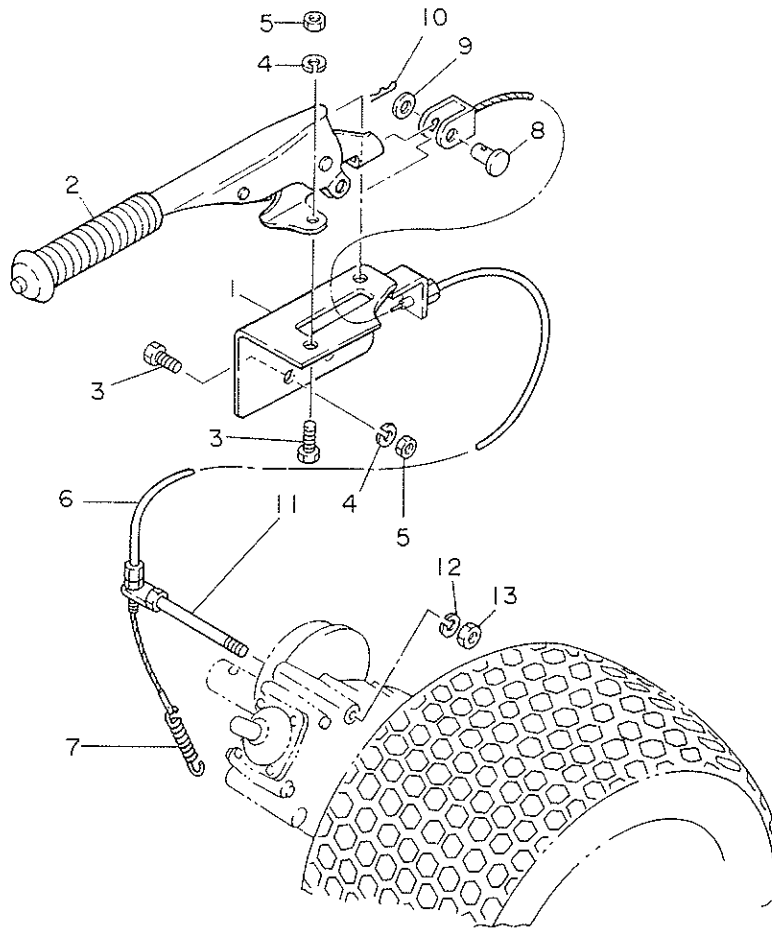
Section 9



Section 9

Position	Part No	Description	Qty
1		Not fitted to Saxon Triple	
2		Not fitted to Saxon Triple	
3		Not fitted to Saxon Triple	
4	K5000080002	M8 Washer	20
5	K0200080002	M8 Spring washer	16
6	K0000080202	M8x20 Bolt	10
7	K0000100452	M10x45 Bolt	4
8	K5000100002	M10 Washer	8
9	K0200100002	M10 Spring washer	11
10	K0100100002	M10 Nut	11
11		Not fitted to Saxon Triple	
12		See Robin distributor	
13	LM180A-1602Z2	Engine pulley	1
14	LM180A-1607Z2	Belt guide	1
15		No longer avail	2
16	LM48	Belt	1
17	LM180B-1017AR	Belt cover A	1
18	LM180A-1002B2	Guard mount	1
19	LM180B-1027ZR	Belt cover B	1
20	K0000080252	M8x25 Bolt	4
21	K0100080002	M8 Nut	9
22	LM180B-1013Z0	Decal	1
23	LM180B-1026ZR	Belt cover C	1
24	K6211000052	12.7 SGP Collar 17.3163	2
25	K0000100402	M10x40 Bolt	2
26	LM180A-1025Z2	Scraper	1
27	K0000080152	M8x15 Bolt	1
28	A9-28	Bracket	1
29	LM180B-1018ZR	Belt cover D	1
30	LM180B-1019ZR	Belt cover E	1

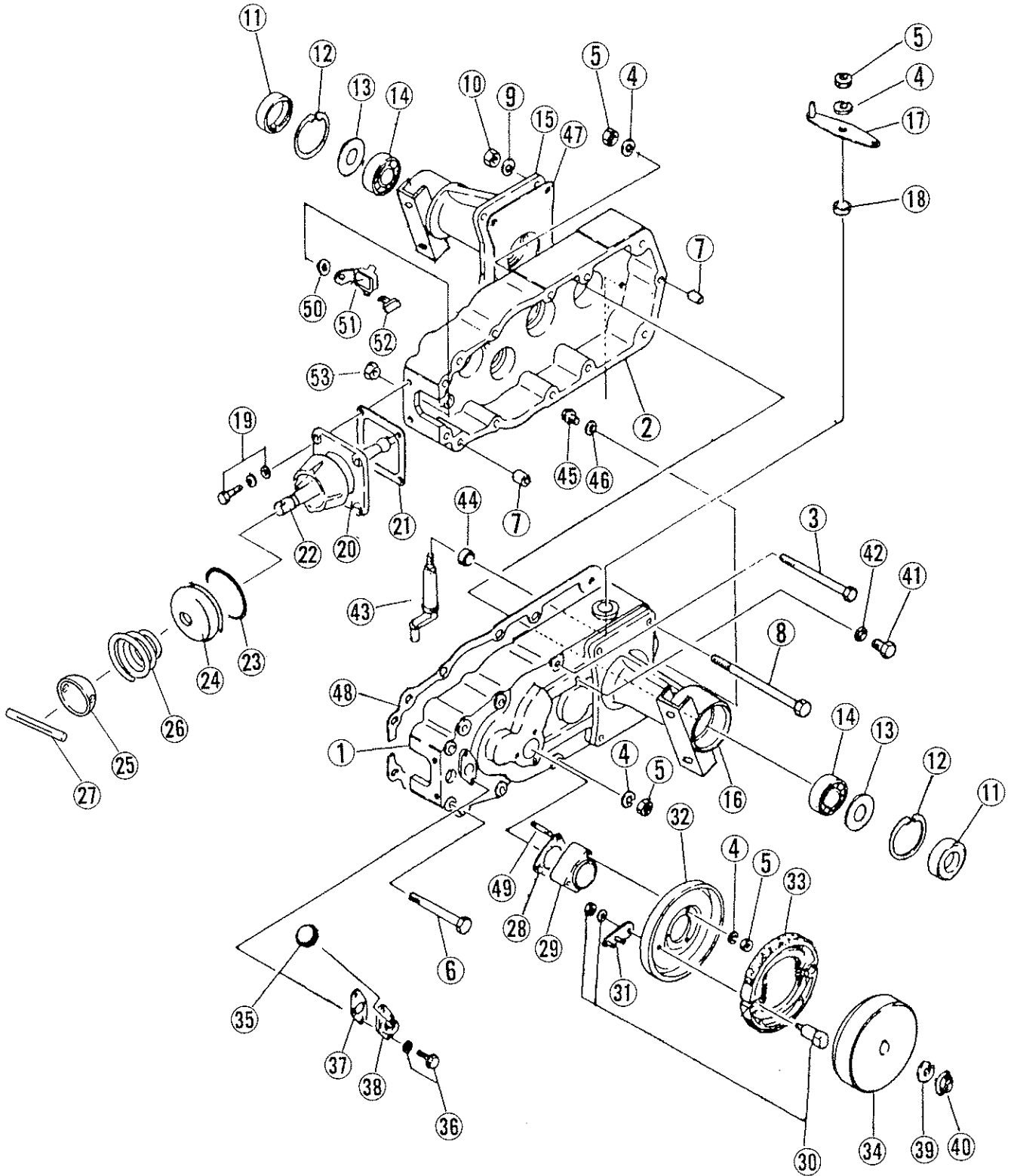
Section 10



Section 10

Position	Part No	Description	Qty
2	K1724000020	Brake lever assy	1
3	K0000080202	M8x20 Bolt	6
4	K0200080002	M8 Spring washer	6
5	K0100080002	M8 Nut	6
6	K1120085010	Brake wire 850	1
7	K103000002D	2.9U Hook spring 15.288	1
8	K6030120242	12x24 Flat head pin	1
9	K5000120002	M12 Washer	1
10	K0331300002	13 Snap pin	1
11	LM180A-0458Z2	Cable bracket	1
12	K0200100002	M10 Spring washer	1
13	K0100100002	M10 Nut	1
14	Not Available		1
15	Not Available		1
16	K4801000020	Tool bag	1
17	K4820000010	+ / - Screwdriver	1
18	Not Available		1
19	K4810100122	Spanner 10x12	1
20	K4810130172	Spanner 13x17	2
21	K4810190222	Spanner 19x22	2
22	Not Available		1
23	Not Available		1
24	K4812270002	Box spanner	1
25	K4830000012	Pliers	1

Section 11



Section 11

Position	Part No	Description	Qty
1	2111-803220	Case L	1
2	2111-803318	Case R	1
3	0107-081150	M8x115 Bolt	3
4	0410-080000	M8 Spring washer	11
5	0304-082000	M8 Nut	11
6	0107-080900	M8x90 Bolt	4
7	2155-401709	Knock pin	2
8	2101-404907	M10x160 Bolt	4
9	0410-100000	M10 Spring washer	4
10	0304-102000	M10 Nut	4
11	K0860000060	Seal 35.72.13	2
12	2101-410209	R72 Retaining ring	2
13	2102-426203	Washer 35720.8	2
14	6207	Bearing	2
15	2310-605108	Axle case R	1
16	2310-605009	Axle case L	1
17	2340-408713	Diff lock lever	1
18	2104-400401	Seal 14.24.8	1
19	0027-080201	M8x20 Bolt SW	4
20	2144-403224	Change lever housing	1
21	2153-400100	Gasket	1
22	2141-407104	Change lever	1
23	2152-404505	Clip	1
24	2105-404606	Rubber dust cover	1
25	2144-402700	Cup	1
26	2152-404406	Spring	1
27	2155-400900	Pin	1
28	2153-407000	Gasket	1
29	2114-401009	Brake holder	1
30	2435-000505	Brake actuator	1
31	2143-403906	Scraper bracket	1
32	2135-600809	Back plate	1
33	2435-000406	Brake shoe assy	1
34	2135-403501	Brake drum	1
35	2105-404002	G20 Plug	1

36	0014-060160	M6x16 Screw	1
37	2153-404801	Gasket	1
38	2157-401905	Oil filler port	1
39	0410-140000	M14 Spring washer	1
40	2101-411909	M12 nut	1
41	2105-400103	Plug 8	1
42	2105-400202	M8 Washer	1
43	2144-405305	Diff shift lever	1
44	2103-405407	Collar 1520 6.5	1
45	2105-400806	Plug 14	1
46	2105-400905	Gasket 14	1
47	2153-407307	Gasket	2
48	2153-700509	Transmission gasket	1
49	0176-080503	M8x50 Stud	3
50	2102-408409	Washer 8221	1
51	2340-404001	Stopper	1
52	2154-402400	Stopper pin	1
53	0304-083000	M8 Nut	1

Section 12

Position	Part No	Description	Qty
1	2133-633306	Stub axle R	1
2	2133-633207	Stub axle L	1
3	6206	Bearing	1
4	6206 NR	Bearing	1
5	2136-600303	Diff Housing	1
6	0107-080550	M8x55 Bolt	4
7	2120-401901	Diff Side gear	2
8	2120-401802	Bevel pinion	2
9	2131-405004	Diff Shaft	1
10	0460-050280	5x28 Spring pin	1
11	0452-080160	8x16 Pin	1
12	2129-405702	Gear L48	1
13	2135-403204	Clutch	1
14	2132-404501	Shaft D	1
15	6204	Bearing	2
16	6304	Bearing	1
17	2122-404306	Gear K15	1
18	2122-404207	Gear J54	1
19	2103-412102	Collar 20-25-9	2
20	2132-404402	Shaft C	1
21	6303	Bearing	5
22	2103-411907	Collar 17-22.7-7.5.	1
23	2122-404009	Gear D43	2
24	0701-201000	Spacer	2
25	2122-403507	Gear S29	2
26	2103-412300	Collar 20-25-34	1
27	2122-403408	Gear I15	1
28	2133-403415	Shaft B	1
29	0480-050250	Key 5x5x25	1
30	2103-411808	Collar 17-22.7-15.5	1
31	2103-412201	Collar 20-25-7.5	1
32	2122-404108	Gear E33	1
33	2103-411402	Collar 20-25-24	1
34	2122-403309	Gear F28	1
35	2103-412003	Collar 20-25-11.5	1

36	2104-400500	Oil seal 20.40.7	1
37	0701-172000	Washer	2
38	2122-403804	Gear A16	1
39	2122-403903	Gear BC 25-31	1
40	2133-403503	Shaft A	1
41	2104-406809	Oil seal 17.40.7	1
42	2102-411106	Shoes	2
43	2152-400200	Detent spring	2
44	2144-404001	Shifter fork A	1
45	2144-408108	Shifter fork BC	1
46	2141-400501	Shifter shaft A	2
47	0650-050160	5/16 Detent ball	2