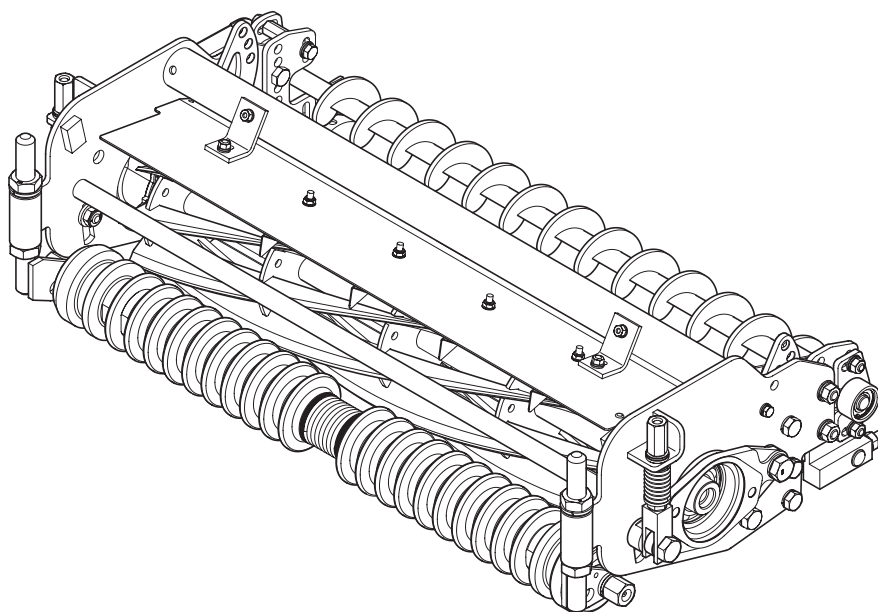


LS60 · LS62 · LS66

Standard Mower Unit

Parts catalog



BARONESS
Quality on Demand

Serial No. LS60 : 10001- • LS62 : 10231- • LS66 : 11252-

Ver.2.1

Greetings

Thank you for purchasing Baroness product.

This brochure contains the information needed for ordering BARONESS parts.

Search the number indicating the figure of your desired part in the illustration area, and find the same number from among the latter parts of the hyphenated Cat Nos. in the listing area to obtain the individual Code No.

Notes

1) For inquiries of parts

Inform us of the model and the serial number of your machine or attachment.

The model and the serial number are indicated on the serial number plate of your machine or attachment.

* Consult the Owner's Operating Manual for the position where the serial number plate is affixed.

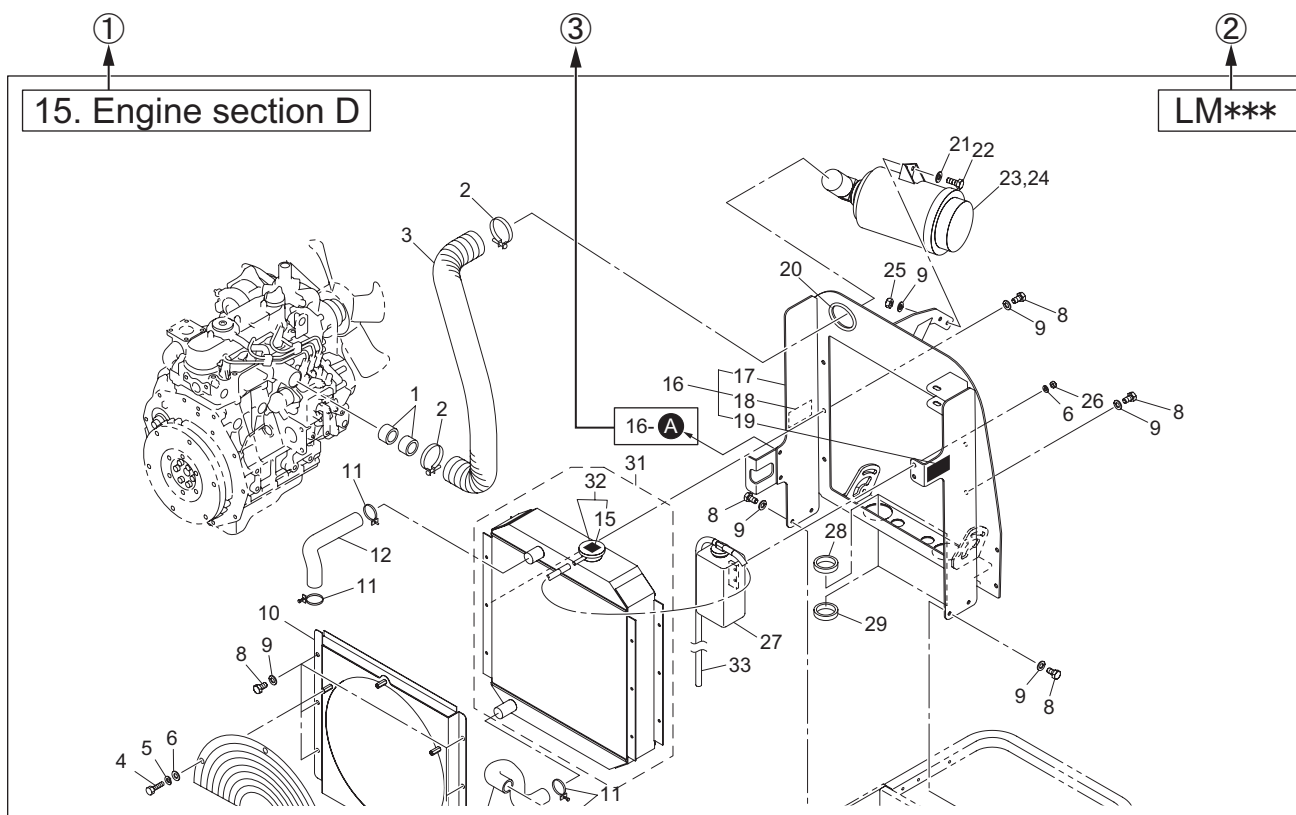
2) For ordering parts

- Inform us of the Code No., Part name and order quantity.
- We do not accept returns unless our company is responsible for the issue.
- Use genuine Baroness parts and accessories. The Baroness product warranty may not apply if parts or accessories from other companies are used.

3) The information described in this brochure is subject to change without prior notice.

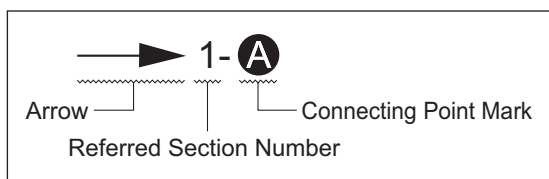
Description of the content of Parts catalog

1) Illustration area



- ① Section No. /Section name
- ② Model
- ③ Indication of the connecting point

The following indication shows the connecting point of the part shown on the other page.



- 1- **A** :
Refer to the point **A** in the illustration of the section No.1
- 2- **B** :
Refer to the point **B** in the illustration of the section No.2

Note :

The figures of assembled components or isolated parts do not always show their accurate shapes. The figures are supposed to be used for obtaining the correct code numbers.

2) Listing area

① Cat No.	② Code No.	③ Part name	④ ⑤ Qty			⑥ Remark	⑦ SN of application
1 - 1	K0000080152	BOLT, M8-15	2	2	2		
1 - 2	K0185160002	NUT, LEFT-HANDED P1.5 M16-3	2	2	2		
1 - 3	K3650000100	HOUR METER, HH2AS	1	1	1		10001-10023
1a- 3	K3650000130	HOUR METER, 636DC	1	1	1		10024-
1 - 4	K0100060002	NUT, M6	2	2	2		
1 - 5	K0003080702	BOLT, M8-70	1	1	1		
1 - 7	K0830000020	OIL SEAL, 254210	2	2	2		

① Cat No. or Catalog No.

Find the same number as the number indicating the figure of your desired part in the illustration area from among the latter parts of the hyphenated Cat Nos. to obtain the individual Code No.

② Code No.

Identification code of an individual part

③ Part name

④ Qty

Quantity needed per Cat No.

⑤ Model

When the quantity differs by models, the models are indicated.

⑥ Remark

Specification or description, etc. of the part may be indicated.

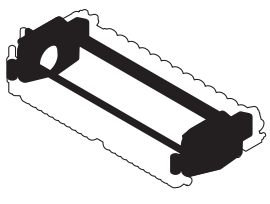
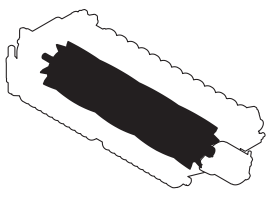
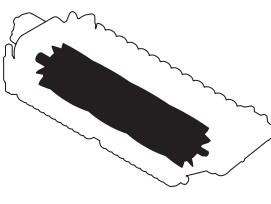
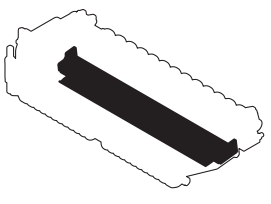
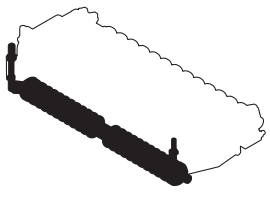
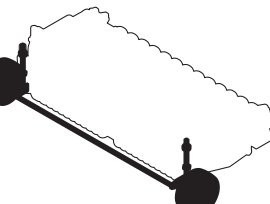
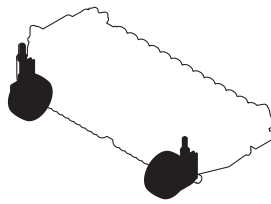
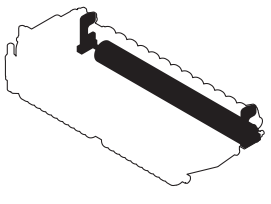
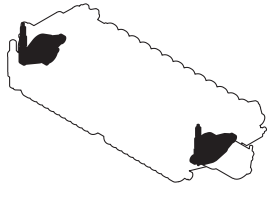
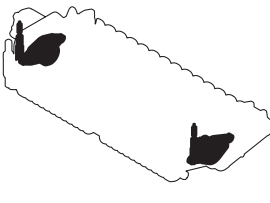
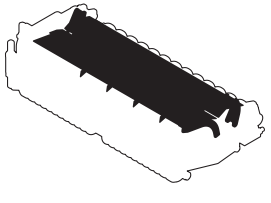
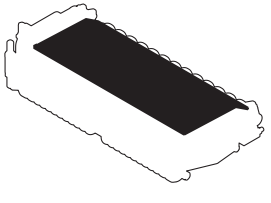
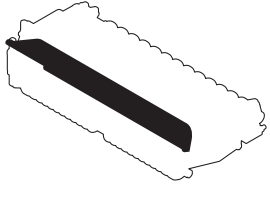
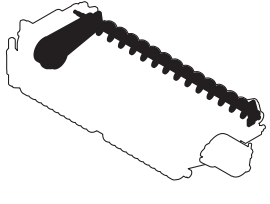
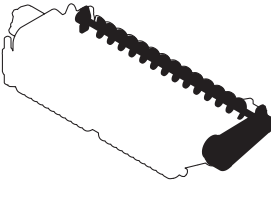
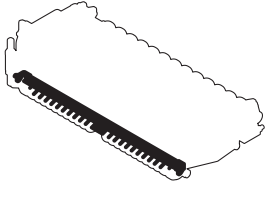
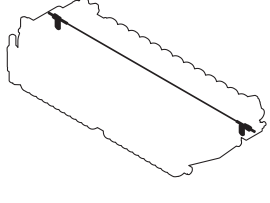
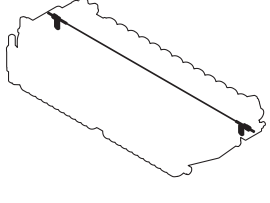
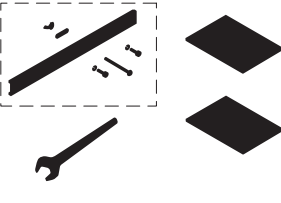
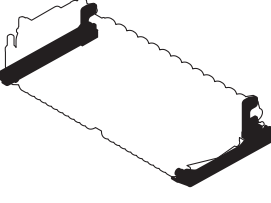
⑦ SN of application

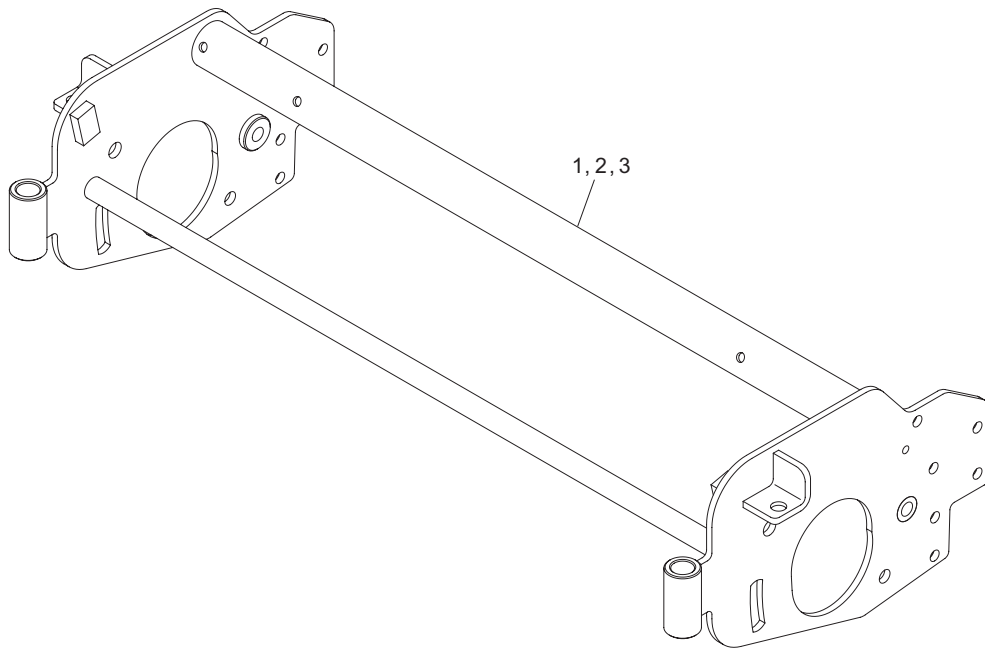
In case of part alteration, the serial number ranges of machines to which the alteration is applied will be indicated.

3) Indication in case of part alteration

- When a new part and an old one are interchangeable with each other, indication of the old part code No. is discontinued and the new part code No. is solely indicated.
- When a new part and an old one are not interchangeable, the serial number ranges of both machines where the new part is used and those where the old one is used are indicated in the SN of application column.
- When a part is newly added, the serial number range of machines where the part is used is indicated in the SN of application column.
- When a part was previously used but the part is not used in the machine any longer, the serial number range of machines where the part was used is indicated in the SN of application column.

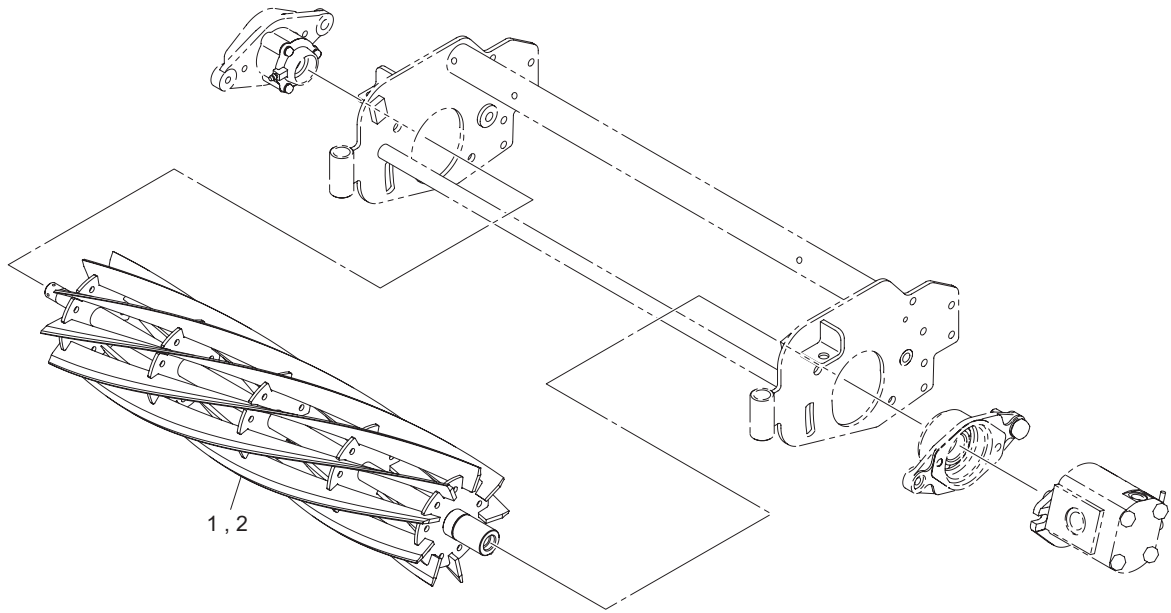
Contents

<p>1.Frame section.....1</p> 	<p>2.Reel cutter section A (motor on left side).....2</p> 	<p>3.Reel cutter section B (motor on right side)3</p> 	<p>4.Bed knife section4</p> 
<p>5.Front roller section A.....5</p> 	<p>A5.Front roller section B (wheel type).....6</p> 	<p>B5.Front roller section C (wheel type).....7</p> 	<p>6.Rear roller section8</p> 
<p>7.Housing section A (motor on left side).....9</p> 	<p>8.Housing section B (motor on right side)11</p> 	<p>A9.Reel cover section A (variable type).....13</p> 	<p>B9.Reel cover section B (fixed type, rear discharge)15</p> 
<p>C9.Reel cover section C (fixed type, front discharge)16</p> 	<p>10.CR brush section A (motor on left side).....17</p> 	<p>11.CR brush section B (motor on right side)19</p> 	<p>12.Front scraper section21</p> 
<p>13.Rear scraper section A (wire type A).....22</p> 	<p>A13.Rear scraper section B (wire type B)23</p> 	<p>14.Accessories24</p> 	<p>15.Runners section.....25</p> 



LS66_001_z01

Cat No.	Code No.	Part name	Qty			Remark	SN of application
			LS60	LS62	LS66		
1-1	LS62---0101ZR	FRAME, MOWER 22	0	1	0		10136-20000
1a-1	LS62---0103ZR	FRAME, MOWER 22	0	1	0		20001-
1-2	LS66---0101ZR	FRAME, MOWER 26	0	0	1		10529-20000
1a-2	LS66---0103ZR	FRAME, MOWER 26	0	0	1		20001-
1-3	LS60---0101ZR	FRAME, MOWER 30	1	0	0		10001-20000
1a-3	LS60---0103ZR	FRAME, MOWER 30	1	0	0		20001-

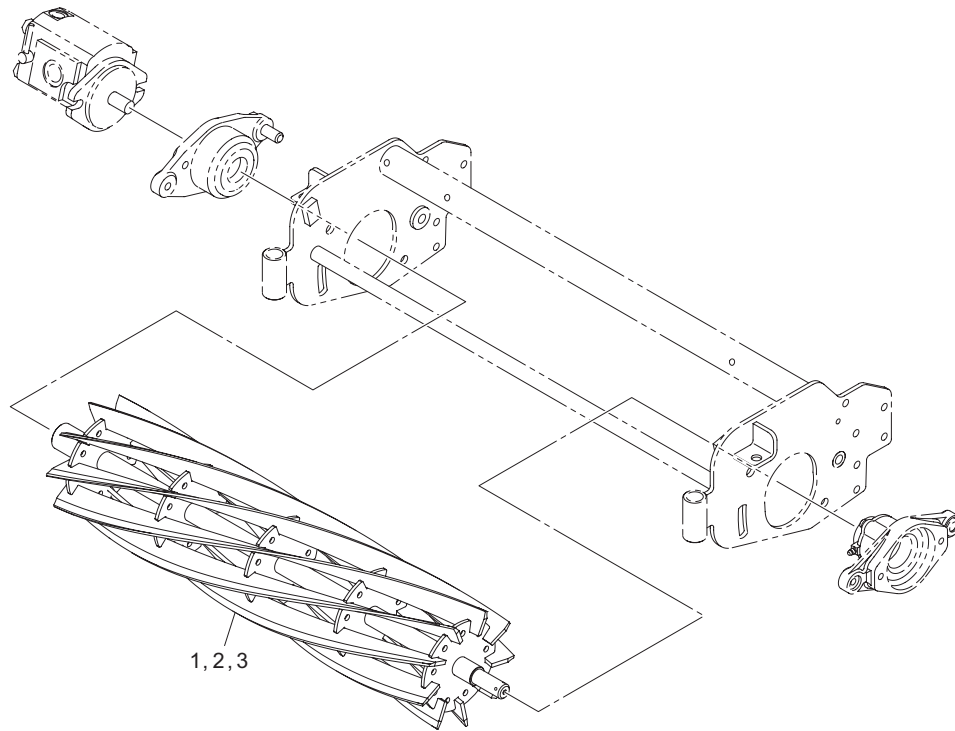


LS66_002_z00

Cat No.	Code No.	Part name	Qty			Remark	SN of application
			LS60	LS62	LS66		
2-1	K285261L90R	REEL CUTTER, 557-9L	0	1	0	9-blade	
2-2	K285260L90R	REEL CUTTER, 660-9L	0	0	1	9-blade	
2a-2	K285260L70R	REEL CUTTER, 660-7L	0	0	1	7-blade	
2b-2	K285260L50R	REEL CUTTER, 660-5L	0	0	1	5-blade	

3.Reel cutter section B (motor on right side)

LS60 • LS62 • LS66

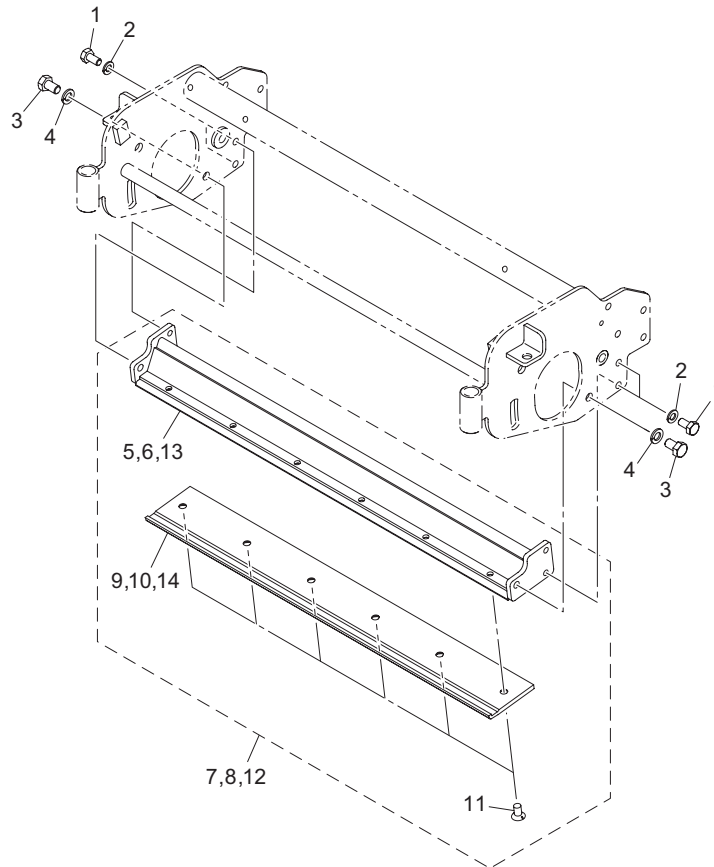


LS66_003_z01

Cat No.	Code No.	Part name	Qty			Remark	SN of application
			LS60	LS62	LS66		
3-1	K285261R90R	REEL CUTTER, 557-9R	0	1	0	9-blade	
3-2	K285260R90R	REEL CUTTER, 660-9R	0	0	1	9-blade	
3a-2	K285260R70R	REEL CUTTER, 660-7R	0	0	1	7-blade	
3b-2	K285260R50R	REEL CUTTER, 660-5R	0	0	1	5-blade	
3-3	K283181L71R	REEL CUTTER, 766-7	1	0	0	7-blade	
3a-3	K283181L51R	REEL CUTTER, 766-5	1	0	0	5-blade	

4. Bed knife section

LS60 • LS62 • LS66

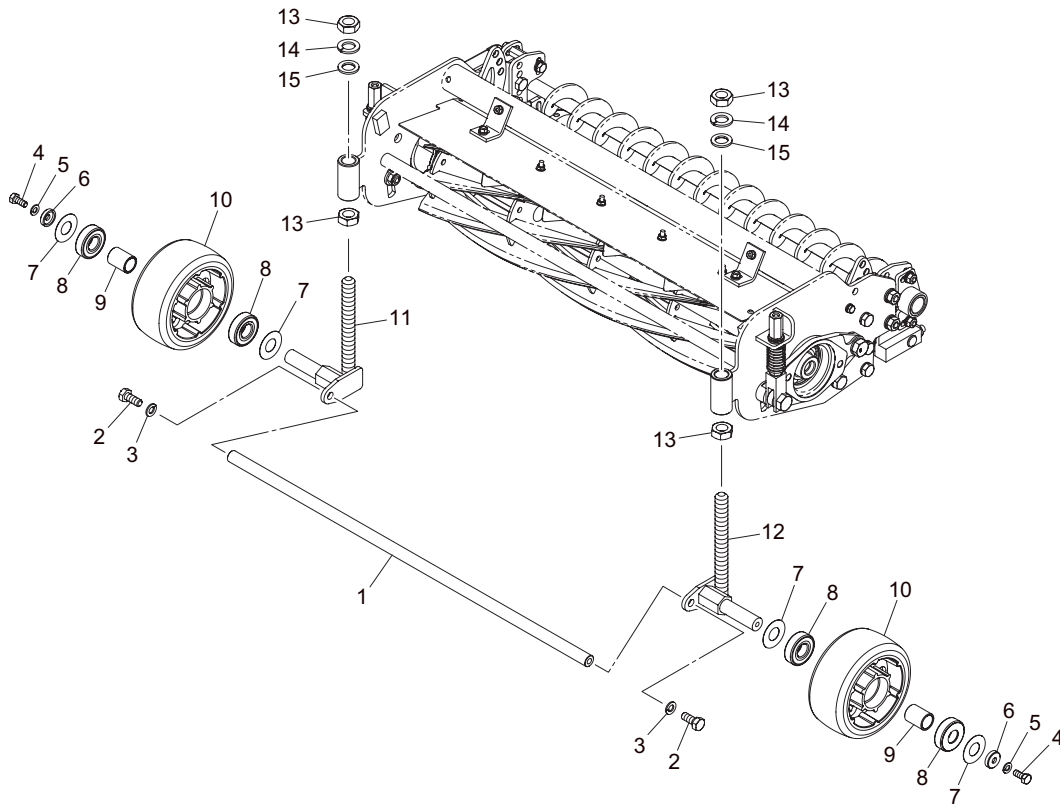


LS66_004_z01

Cat No.	Code No.	Part name	Qty			Remark	SN of application
			LS60	LS62	LS66		
4-1	K0000100202	BOLT, M10-20	4	4	4		
4-2	K0200100002	WASHER, SPRING M10	4	4	4		
4-3	K0000120202	BOLT, M12-20	2	2	2		
4-4	K0200120002	WASHER, SPRING M12	2	2	2		
4-5	LS62---0301ZR	BASE, BEDKNIFE 629.5	0	1	0		
4-6	LS66---0301ZR	BASE, BEDKNIFE 732	0	0	1		
4-7	LS62---0310Z0	BEDKNIFE & BASE COMP, 7	0	1	0		
4a-7	LS62---1310Z0	BEDKNIFE & BASE COMP, 5	0	1	0		
4-8	LS66---0310Z0	BEDKNIFE & BASE COMP, 7	0	0	1		
4a-8	LS66---1310Z0	BEDKNIFE & BASE COMP, 5	0	0	1		
4-9	K2510000290	BEDKNIFE, TIPPED 7.0-87-559	0	1	0		
4a-9	K2510000280	BEDKNIFE, TIPPED 5.0-87-559	0	1	0		
4-10	K2510000030	BEDKNIFE, TIPPED 7.0-85-662	0	0	1		
4a-10	K2510000250	BEDKNIFE, TIPPED 5.0-87-662	0	0	1		
4-11	K0071001182	SCREW, HT FLAT HEAD M10-16	6	6	6		
4-12	LS60---0310Z0	BEDKNIFE & BASE COMP, 7	1	0	0		
4a-12	LS60---1310Z0	BEDKNIFE & BASE COMP, 5	1	0	0		
4-13	LS60---0301ZR	BASE, BEDKNIFE 840	1	0	0		
4-14	K2510000020	BEDKNIFE, TIPPED 7.0-85-770-51	1	0	0		
4a-14	K2510000300	BEDKNIFE, TIPPED 5.0-87-770	1	0	0		

A5.Front roller section B (wheel type)

LS60 • LS62 • LS66

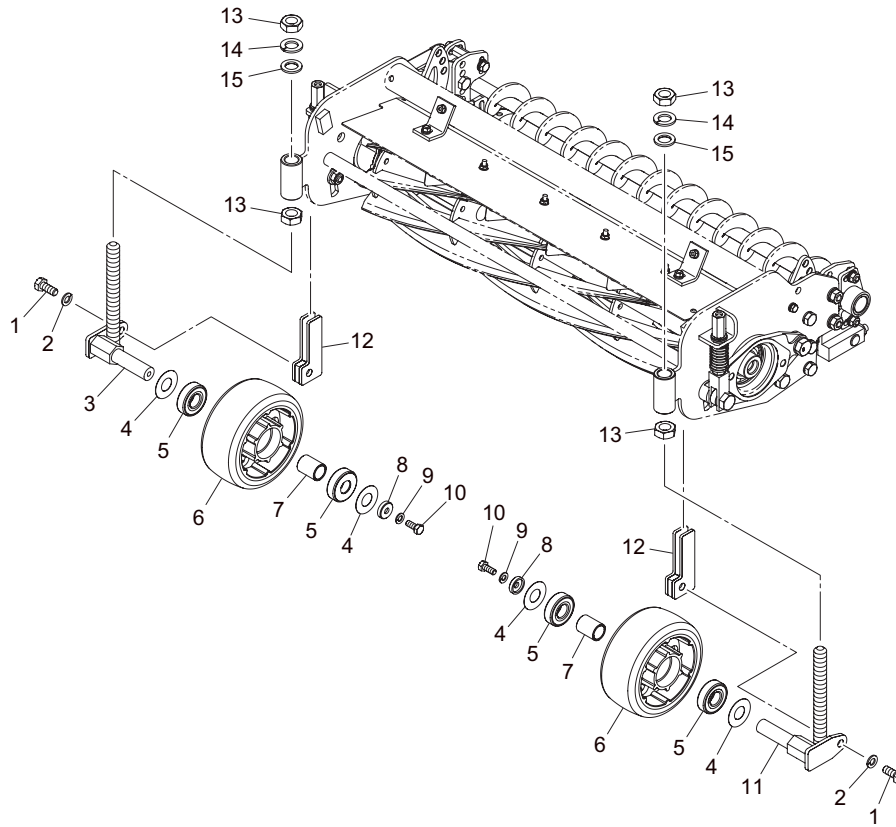


LS66_A05_z00

Cat No.	Code No.	Part name	Qty			Remark	SN of application
			LS60	LS62	LS66		
A5-1	LS66---1603Z2	PIPE, STAY	0	0	1		
A5-2	K0000100252	BOLT, M10-25	0	0	2		
A5-3	K0200100002	WASHER, SPRING M10	0	0	2		
A5-4	K0000080202	BOLT, M8-20	0	0	2		
A5-5	K0200080002	WASHER, SPRING M8	0	0	2		
A5-6	K6204000212	WASHER, CLAMPING WHEEL	0	0	2		
A5-7	K5030520430	WASHER, C2801P 0.5-20-43	0	0	4		
A5-8	K0612062040	BEARING, BALL SEAL 2RD 6204	0	0	4		
A5-9	K6212000640	COLLAR, STKM M20.2-25.4-33	0	0	2		
A5-10	K2110000060	WHEEL, RUBBER 150	0	0	2		
A5-11	LS66---1602Z2	BRACKET, WHEEL B	0	0	1		
A5-12	LS66---1601Z2	BRACKET, WHEEL A	0	0	1		
A5-13	K0108180002	NUT, P1.5 M18-3	0	0	4		
A5-14	K0200180002	WASHER, SPRING M18	0	0	2		
A5-15	K5012018282	WASHER, SPCC 2-18-28	0	0	2		

B5.Front roller section C (wheel type)

LS60 • LS62 • LS66

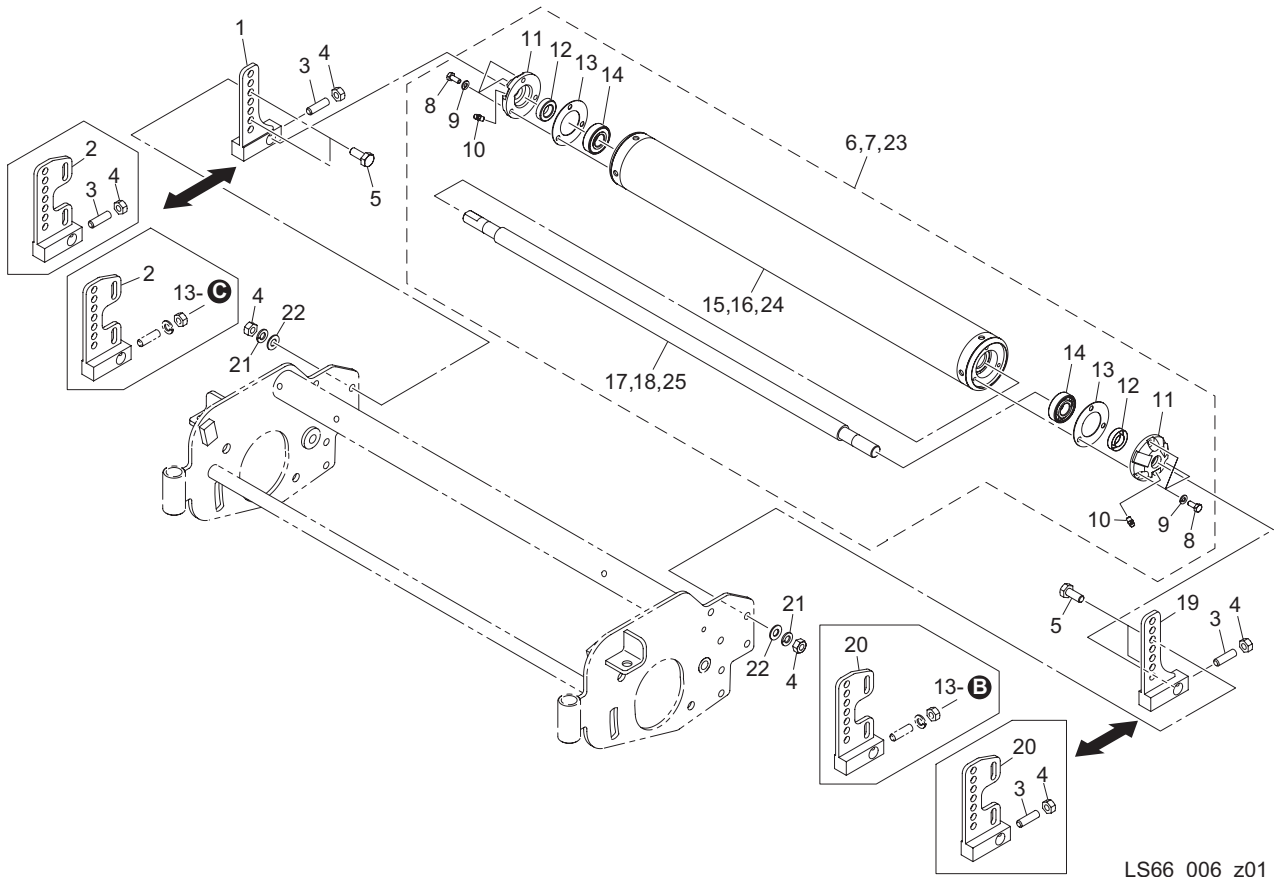


LS66_B05_z00

Cat No.	Code No.	Part name	Qty			Remark	SN of application
			LS60	LS62	LS66		
B5-1	K0000100252	BOLT, M10-25	0	0	2		
B5-2	K0200100002	WASHER, SPRING M10	0	0	2		
B5-3	LS60---1603Z2	BRACKET, WHEEL B	0	0	1		
B5-4	K5030520430	WASHER, C2801P 0.5-20-43	0	0	4		
B5-5	K0612062040	BEARING, BALL SEAL 2RD 6204	0	0	4		
B5-6	K2110000060	WHEEL, RUBBER 150	0	0	2		
B5-7	K6212000640	COLLAR, STKM M20.2-25.4-33	0	0	2		
B5-8	K6204000212	WASHER, CLAMPING WHEEL	0	0	2		
B5-9	K0200080002	WASHER, SPRING M8	0	0	2		
B5-10	K0000080202	BOLT, M8-20	0	0	2		
B5-11	LS60---1602Z2	BRACKET, WHEEL A	0	0	1		
B5-12	LS60---1601Z2	STOPPER	0	0	2		
B5-13	K0108180002	NUT, P1.5 M18-3	0	0	4		
B5-14	K0200180002	WASHER, SPRING M18	0	0	2		
B5-15	K5012018282	WASHER, SPCC 2-18-28	0	0	2		

6.Rear roller section

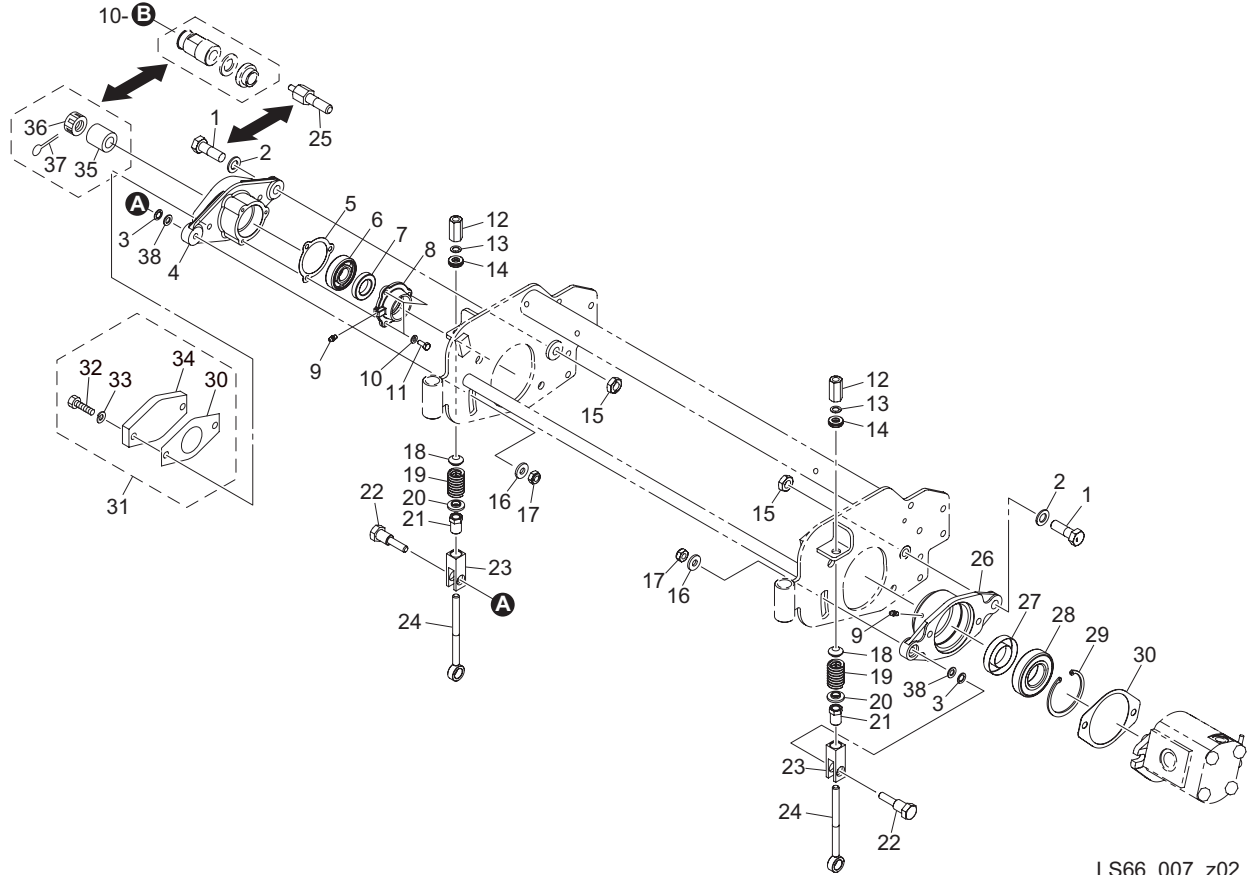
LS60 • LS62 • LS66



Cat No.	Code No.	Part name	Qty			Remark	SN of application
			LS60	LS62	LS66		
6-1	LS66---0702Z2	BRACKET, ROLLER (RH)	1	1	1	STD	
6-2	LS66---1702Z2	BRACKET, ROLLER (RH)	1	1	1	for CR brush	
6-3	K0023100251	SETSCREW, M10-25	2	2	2		
6-4	K0100100002	NUT, M10	6	6	6		
6-5	K0000100252	BOLT, M10-25	4	4	4		
6-6	K8021000560	ROLLER ASSY, 661.5	0	1	0		
6-7	K8021000520	ROLLER ASSY, 764	0	0	1		
6-8	K0000060152	BOLT, M6-15	6	6	6		
6-9	K0200060002	WASHER, SPRING M6	6	6	6		
6-10	K1440000010	GREASE NIPPLE, STRAIGHT TYPE A	2	2	2		
6-11	K6810000070	HOUSING, SEAL	2	2	2		
6-12	K0821730080	OIL SEAL, MHSA17308	2	2	2		
6-13	K4015136650	PACKING, FIBER 1-36-65	2	2	2		
6-14	K0602062030	BEARING, BALL SHIELD Z 6203	2	2	2		
6-15	K740000026D	ROLLER, 76.2-571.5	0	1	0		
6-16	K740000024D	ROLLER, 76.2-674	0	0	1		
6-17	K6155000300	SHAFT, ROLLER 661.5	0	1	0		
6-18	K6155000280	SHAFT, ROLLER 764	0	0	1		
6-19	LS66---0701Z2	BRACKET, ROLLER (LH)	1	1	1	STD	
6-20	LS66---1701Z2	BRACKET, ROLLER (LH)	1	1	1	for CR brush	
6-21	K0200100002	WASHER, SPRING M10	4	4	4		
6-22	K5000100002	WASHER, M10	4	4	4		
6-23	K8021000530	ROLLER ASSY, 872	1	0	0		
6-24	K740000025D	ROLLER, 76.2-782	1	0	0		
6-25	K6155000290	SHAFT, ROLLER 872	1	0	0		

7.Housing section A (motor on left side)

LS60 • LS62 • LS66

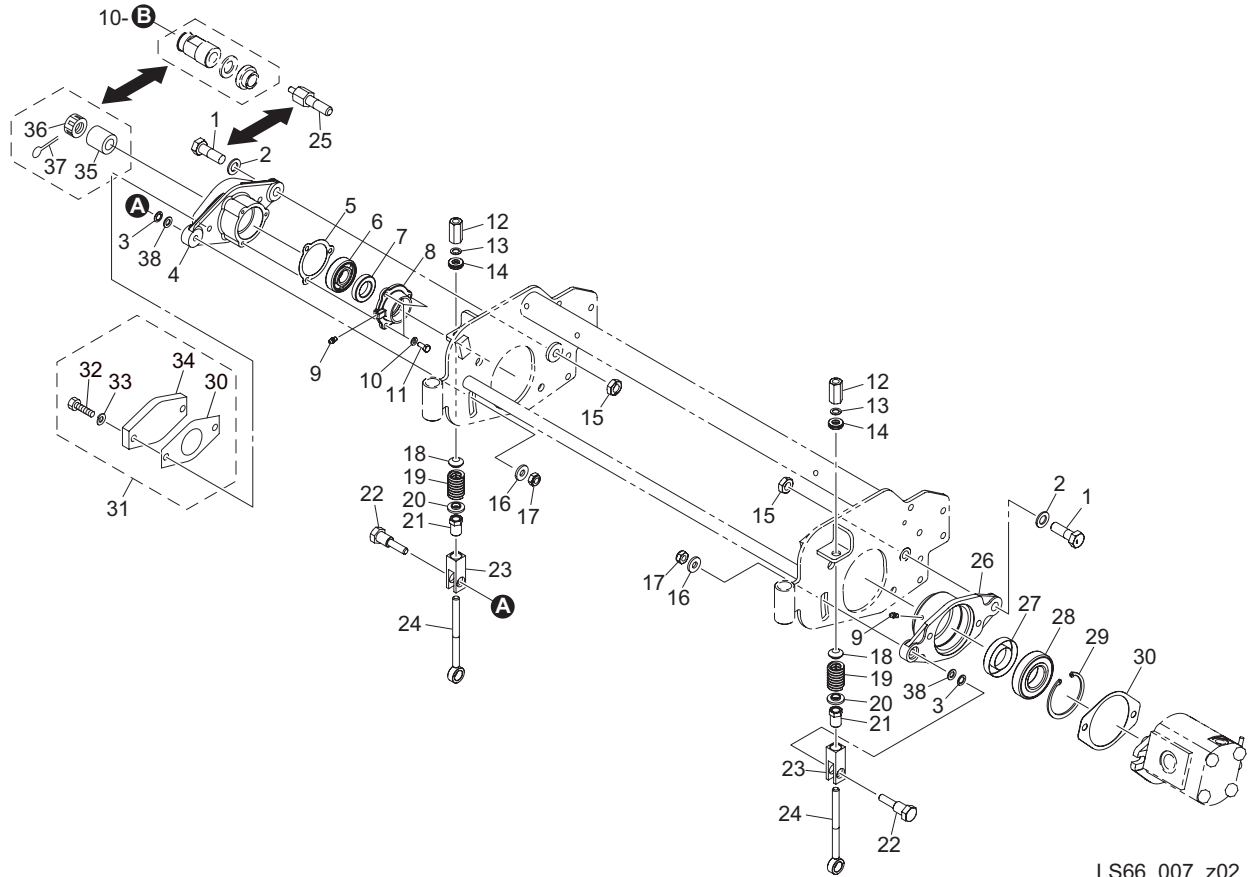


LS66_007_z02

Cat No.	Code No.	Part name	Qty			Remark	SN of application
			LS60	LS62	LS66		
7-1	K0071001132	BOLT, AXIS	0	2	2	STD	
7a-1	K0071001132	BOLT, AXIS	0	1	1	for CR brush	
7-2	K5012314252	WASHER, SPCC 2.3-14-25	0	2	2		
7-3	K0214100002	WASHER, DISK SPRING 2L M10	0	2	2		
7-4	K6903000222	HOUSING, REEL CUTTER CR	0	1	1		
7-5	K4011000150	PACKING, OIL-SHEET	0	1	1		
7-6	K0602063040	BEARING, BALL SHIELD Z 6304	0	1	1		
7-7	K0822542080	OIL SEAL, MHSA25428	0	1	1		
7-8	K6903000042	CAP, HOUSING	0	1	1		
7-9	K1440000010	GREASE NIPPLE, STRAIGHT TYPE A	0	2	2		
7-10	K0200060002	WASHER, SPRING M6	0	3	3		
7-11	K0000060152	BOLT, M6-15	0	3	3		
7-12	LM56G--0506Z2	NUT, HIGH M10-17-35 P1.0	0	2	2		
7-13	K5051010160	WASHER, C5191P 1-10-16	0	2	2		
7-14	K5090000820	WASHER, SPHERICAL M10	0	2	2		
7-15	K0105140002	NUT, P1.5 M14-3	0	2	2		
7-16	K5073210242	WASHER, SPHC 3.2-10-24	0	2	2		
7-17	K0145100002	NUT, W/F-RING P1.25 M10	0	2	2		
7-18	K6206000172	RECEIVER, SPRING	0	2	2		
7-19	K1000000458	SPRING, COMPRESSION M5-25-60	0	2	2		
7-20	K6206000052	RECEIVER, FOR SPRING	0	2	2		
7-21	K6081000082	PIPE, W/CUTTER ADJUSTING SCREW	0	2	2		
7-22	K6082000122	BOLT, STEPPED FOR FIXING HOUSING	0	2	2		
7-23	K6090000552	MOUNT, ADJUSTING SCREW	0	2	2		
7-24	K7303000182	BOLT, ADJUSTING CUTTER	0	2	2		
7-25	LM2400-2409Z2	BOLT, AXIS	0	1	1	for CR brush	
7-26	LS66L--0402Z2	HOUSING, HYDRAULIC MOTOR A	0	1	1		
7-27	K0823560120	OIL SEAL, MHSA356012	0	1	1		
7-28	K0602062070	BEARING, BALL SHIELD Z 6207	0	1	1		
7-29	K0402072001	RING, RETAINING R M72	0	1	1		

7.Housing section A (motor on left side)

LS60 • LS62 • LS66

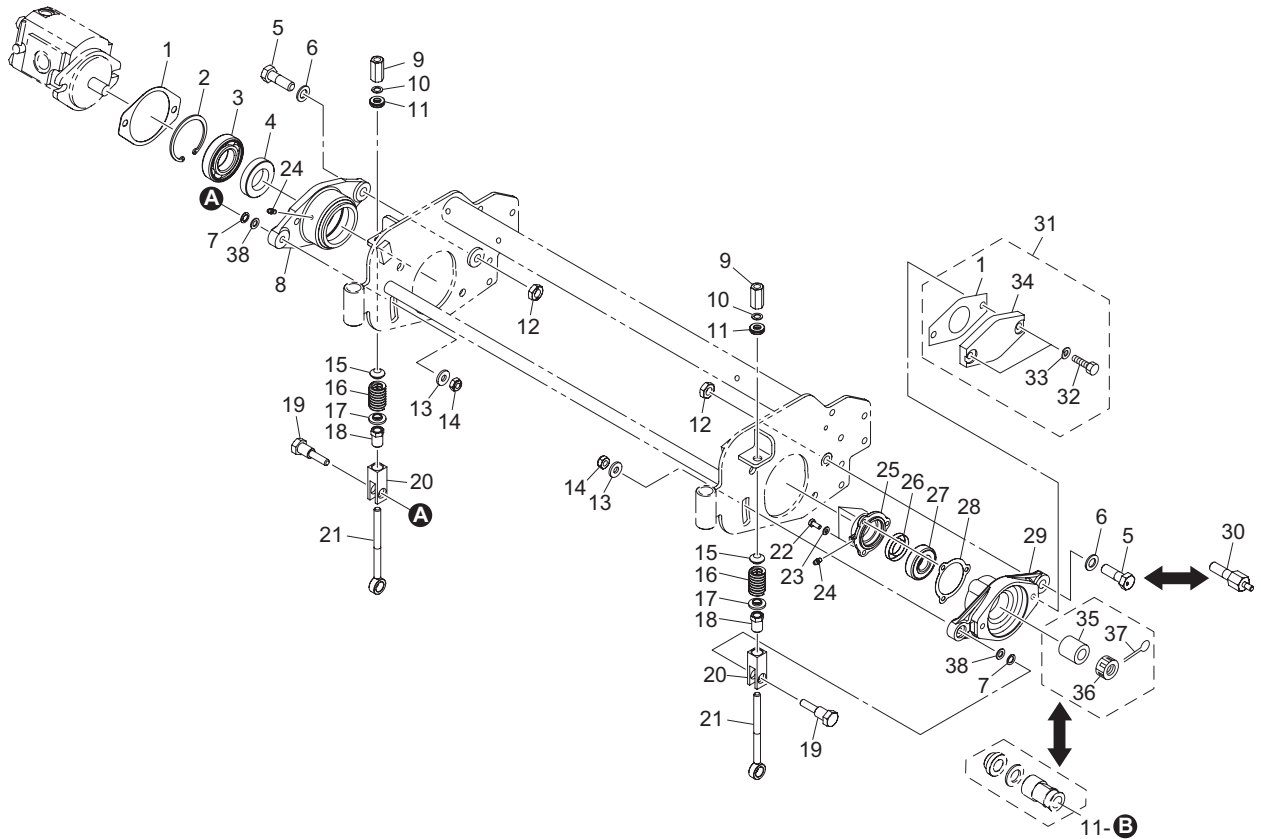


LS66_007_z02

Cat No.	Code No.	Part name	Qty			Remark	SN of application
			LS60	LS62	LS66		
7-30	K4011000290	PACKING, OIL-SHEET	0	2	2		
7-31	LS66--0910Z0	WEIGHT ASSY	0	1	1		
7-32	K0000100452	BOLT, M10-45	0	2	2		
7-33	K0200100002	WASHER, SPRING M10	0	2	2		
7-34	K690300017D	COVER, REEL HOUSING	0	1	1		
7-35	K6212001742	COLLAR, STKM M20.2-28-18	0	1	1	STD	
7-36	K0170000012	NUT, SPECIAL M20	0	1	1	STD	
7-37	K0300032252	PIN, COTTER M3.2-25	0	1	1	STD	
7-38	K5012310172	WASHER, SPCC 2.3-10-17	0	2	2		

8.Housing section B (motor on right side)

LS60 • LS62 • LS66

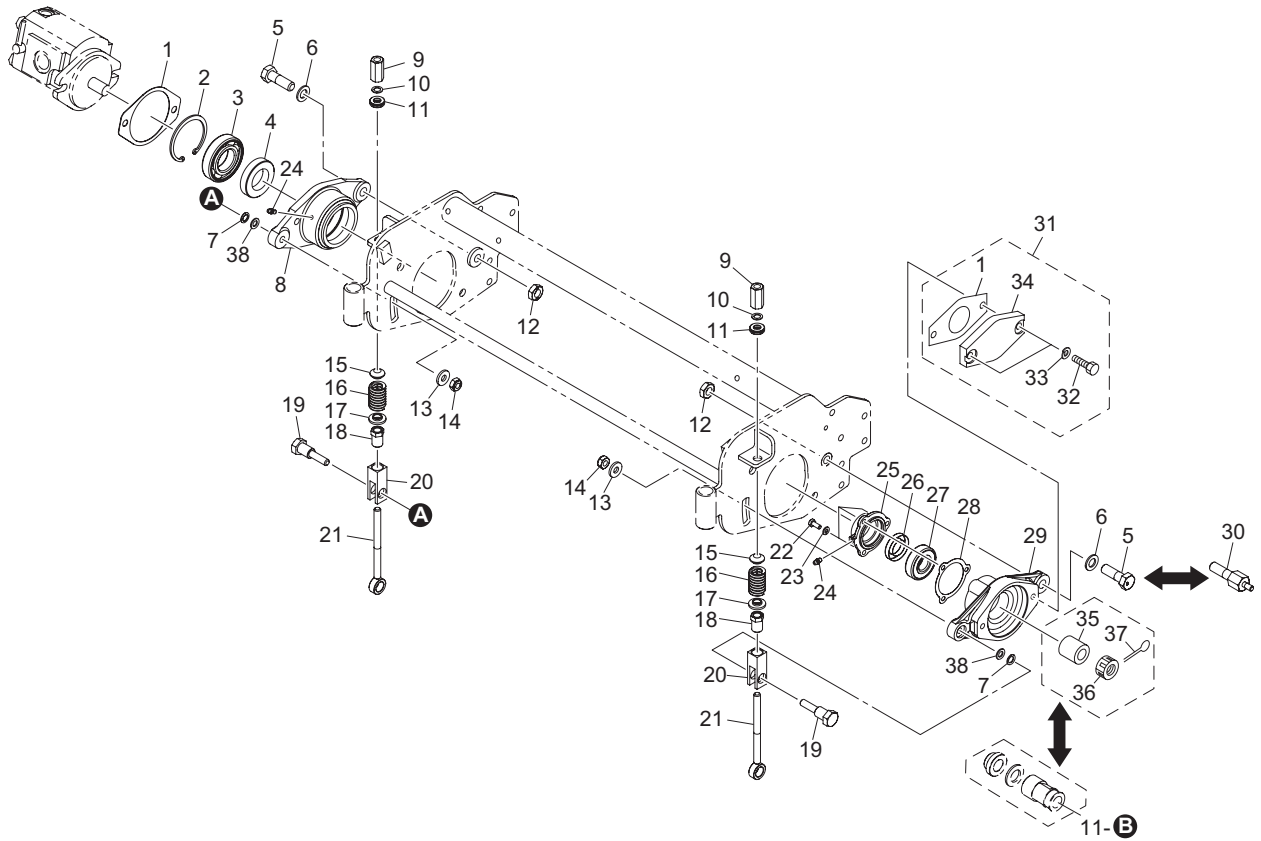


LS66_008_z02

Cat No.	Code No.	Part name	Qty			Remark	SN of application
			LS60	LS62	LS66		
8-1	K4011000290	PACKING, OIL-SHEET	2	2	2		
8-2	K0402072001	RING, RETAINING R M72	1	1	1		
8-3	K0602062070	BEARING, BALL SHIELD Z 6207	1	1	1		
8-4	K0823560120	OIL SEAL, MHSA356012	1	1	1		
8-5	K0071001132	BOLT, AXIS	2	2	2	STD	
8a-5	K0071001132	BOLT, AXIS	1	1	1	for CR brush	
8-6	K5012314252	WASHER, SPCC 2.3-14-25	2	2	2		
8-7	K0214100002	WASHER, DISK SPRING 2L M10	2	2	2		
8-8	LS66R--0402Z2	HOUSING, HYDRAULIC MOTOR B	1	1	1		
8-9	LM56G--0506Z2	NUT, HIGH M10-17-35 P1.0	2	2	2		
8-10	K5051010160	WASHER, C5191P 1-10-16	2	2	2		
8-11	K5090000820	WASHER, SPHERICAL M10	2	2	2		
8-12	K0105140002	NUT, P1.5 M14-3	2	2	2		
8-13	K5073210242	WASHER, SPHC 3.2-10-24	2	2	2		
8-14	K0145100002	NUT, W/F-RING P1.25 M10	2	2	2		
8-15	K6206000172	RECEIVER, SPRING	2	2	2		
8-16	K1000000458	SPRING, COMPRESSION M5-25-60	2	2	2		
8-17	K6206000052	RECEIVER, FOR SPRING	2	2	2		
8-18	K6081000082	PIPE, W/CUTTER ADJUSTING SCREW	2	2	2		
8-19	K6082000122	BOLT, STEPPED FOR FIXING HOUSING	2	2	2		
8-20	K6090000552	MOUNT, ADJUSTING SCREW	2	2	2		
8-21	K7303000182	BOLT, ADJUSTING CUTTER	2	2	2		
8-22	K0000060152	BOLT, M6-15	3	3	3		
8-23	K0200060002	WASHER, SPRING M6	3	3	3		
8-24	K1440000010	GREASE NIPPLE, STRAIGHT TYPE A	2	2	2		
8-25	K6903000042	CAP, HOUSING	1	1	1		
8-26	K0822542080	OIL SEAL, MHSA25428	1	1	1		
8-27	K0602063040	BEARING, BALL SHIELD Z 6304	1	1	1		
8-28	K4011000150	PACKING, OIL-SHEET	1	1	1		
8-29	K6903000222	HOUSING, REEL CUTTER CR	1	1	1		

8.Housing section B (motor on right side)

LS60 • LS62 • LS66

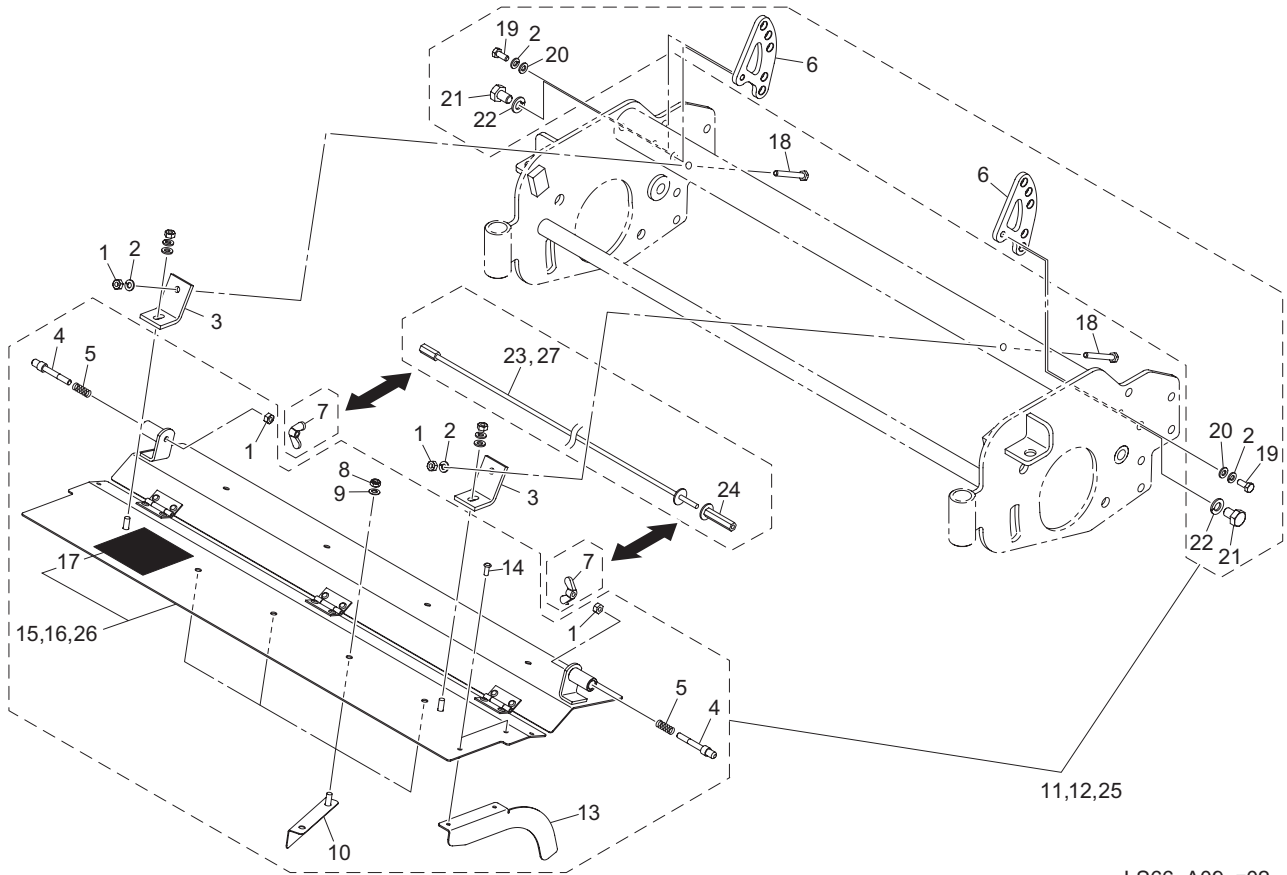


LS66_008_z02

Cat No.	Code No.	Part name	Qty			Remark	SN of application
			LS60	LS62	LS66		
8-30	LM2400-2409Z2	BOLT, AXIS	1	1	1	for CR brush	
8-31	LS66--0910Z0	WEIGHT ASSY	1	1	1		
8-32	K0000100452	BOLT, M10-45	2	2	2		
8-33	K0200100002	WASHER, SPRING M10	2	2	2		
8-34	K690300017D	COVER, REEL HOUSING	1	1	1		
8-35	K6212001742	COLLAR, STKM M20.2-28-18	1	1	1	STD	
8-36	K0170000012	NUT, SPECIAL M20	1	1	1	STD	
8-37	K0300032252	PIN, COTTER M3.2-25	1	1	1	STD	
8-38	K5012310172	WASHER, SPCC 2.3-10-17	2	2	2		

A9.Reel cover section A (variable type)

LS60 • LS62 • LS66

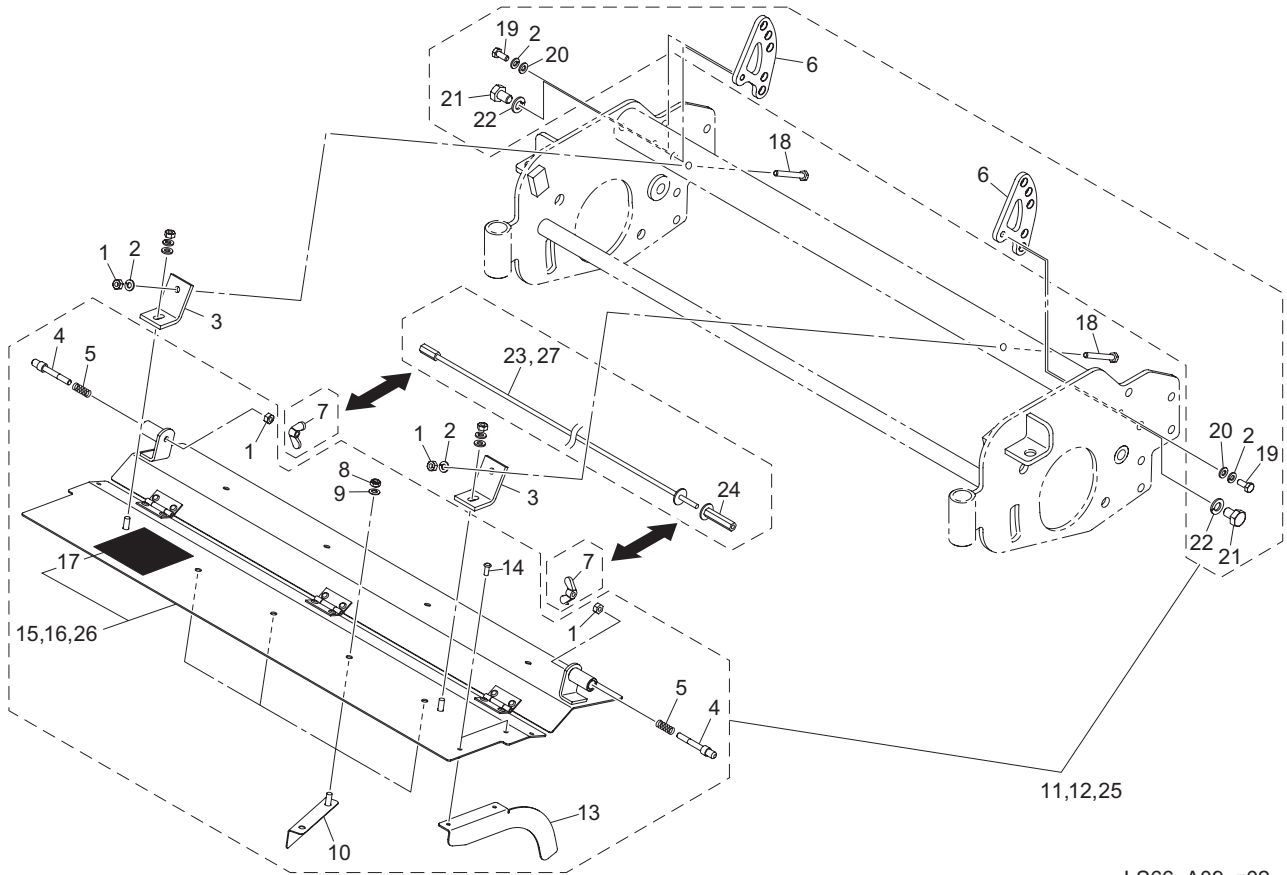


LS66_A09_z02

Cat No.	Code No.	Part name	Qty			Remark	SN of application
			LS60	LS62	LS66		
A9-1	K0100060002	NUT, M6	4	4	4		
A9-2	K0200060002	WASHER, SPRING M6	4	4	4		
A9-3	LM526A-1103ZR	MOUNT, COVER	2	2	2		
A9-4	LM526--1103Z2	PIN, LOCKING	2	2	2		
A9-5	K1000000260	SPRING, COMPRESSION M0.7-8.4-25	2	2	2		
A9-6	LM2400-2446ZR	ADJUSTER, FOR VARIABLE REEL COVER	2	2	2		
A9-7	K0141060002	NUT, WING M6-3	2	2	2		
A9-8	K0144060002	NUT, W/F-RING M6	4	4	4		
A9-9	K0213060001	WASHER, DISK SPRING 1H M6	4	4	4		
A9-10	LM526A-1104AR	FIN	4	4	4		
A9-11	LS62---2510Z0	COVER COMP, REEL VARIABLE	0	1	0		10136-20000
A9a-11	LS62---3510A0	COVER ASSY, REEL ONE TOUCH VARIABLE	0	1	0		20001-
A9-12	LM2400-2445Z0	COVER COMP, REEL VARIABLE	0	0	1		10529-20000
A9a-12	LS66---3510A0	COVER ASSY, REEL ONE TOUCH VARIABLE	0	0	1		20001-
A9-13	LM526A-1102ZR	COVER, AUXILIARY	1	1	1		
A9-14	K4510615120	RIVET, BLIND AVEX 1661-0512	2	2	2		
A9-15	LS62---2511Z0	COVER, REEL VARIABLE W/DECAL	0	1	0		
A9-16	LM2400-2421Z0	COVER, REEL VARIABLE W/DECAL	0	0	1		
A9-17	K4205001600	DECAL, CAUTION CUTTING HANDS/FEET	1	1	1		
A9-18	K0000060502	BOLT, M6-50	2	2	2		
A9-19	K0000060152	BOLT, M6-15	2	2	2		
A9-20	K5000060002	WASHER, M6	2	2	2		10001-20000
A9-21	K0000100152	BOLT, M10-15	2	2	2		
A9-22	K0200100002	WASHER, SPRING M10	2	2	2		
A9a-23	LS66---3502Z2	ROD, OPENING AND SHUTING	0	0	1	easy latch	10529-11343
A9c-23	LS66---3502A2	ROD, OPENING AND SHUTING 26	0	0	1	easy latch	11344-
A9-24	LS66---3503Z2	BRACKET, OPENING AND SHUTING ROD	0	0	1	easy latch	
A9-25	LM281--3003Z0	COVER COMP, REEL VARIABLE 30 W/DECAL	1	0	0		10001-20000
A9a-25	LS60---3510Z0	COVER ASSY, REEL ONE TOUCH VARIABLE	1	0	0		20001-
A9-26	LM281--3004Z0	COVER, REEL VARIABLE 30 W/DECAL	1	0	0		

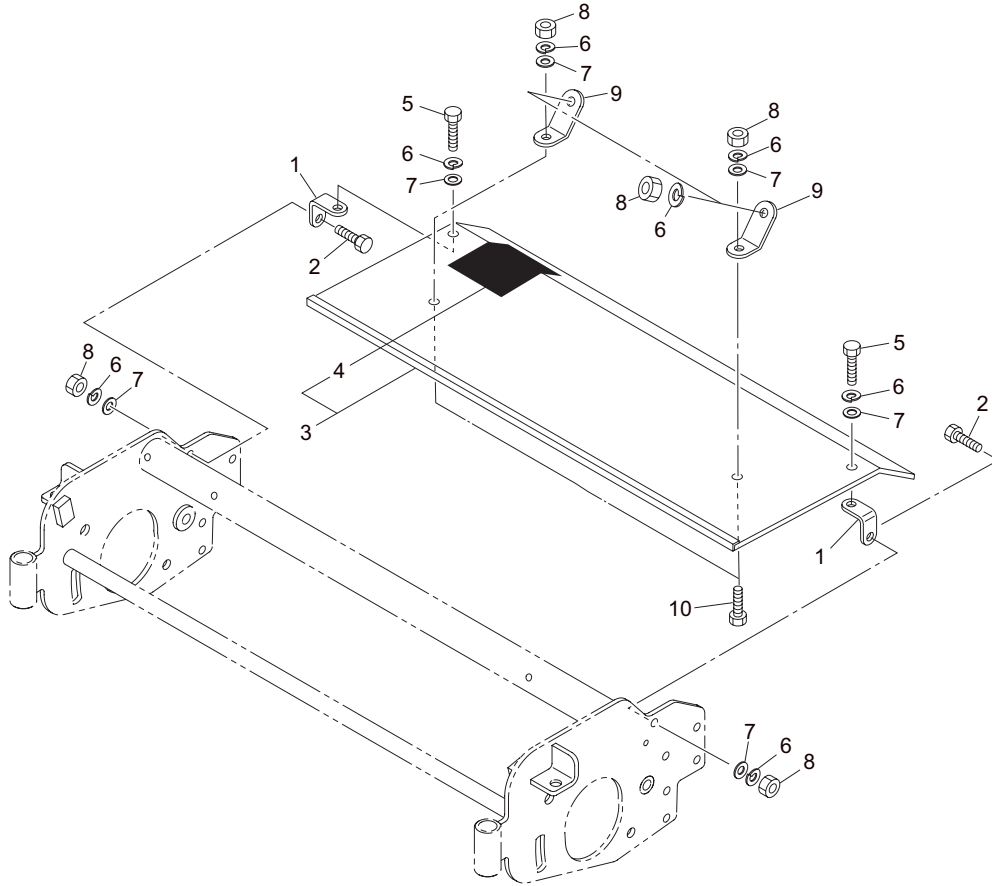
A9.Reel cover section A (variable type)

LS60 • LS62 • LS66



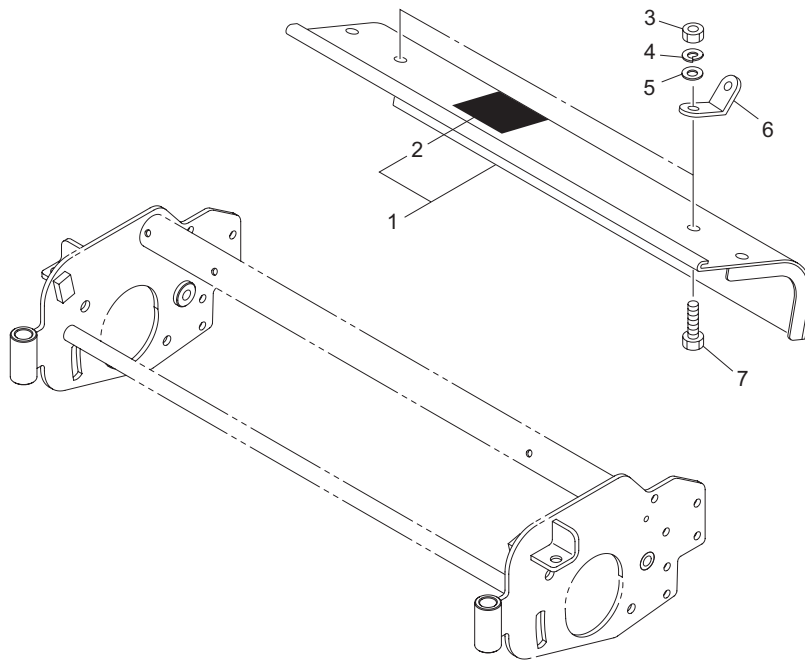
LS66_A09_z02

Cat No.	Code No.	Part name	Qty			Remark	SN of application
			LS60	LS62	LS66		
A9-27	LS60---3502Z2	ROD, OPENING AND SHUTING	1	0	0		



LS66_B09_z00

Cat No.	Code No.	Part name	Qty			Remark	SN of application
			LS60	LS62	LS66		
B9-1	K5206000522	PLATE, FOR FIXING COVER	0	0	2		
B9-2	K0000060202	BOLT, M6-20	0	0	2		
B9-3	K9010000180	COVER, REEL W/ DECAL	0	0	1		
B9-4	K4205001600	DECAL, CAUTION CUTTING HANDS/FEET	0	0	1		
B9-5	K0000060102	BOLT, M6-10	0	0	2		
B9-6	K0200060002	WASHER, SPRING M6	0	0	8		
B9-7	K5000060002	WASHER, M6	0	0	6		
B9-8	K0100060002	NUT, M6	0	0	6		
B9-9	K527600041R	PLATE, FOR FIXING COVER	0	0	2		
B9-10	K0000060152	BOLT, M6-15	0	0	2		

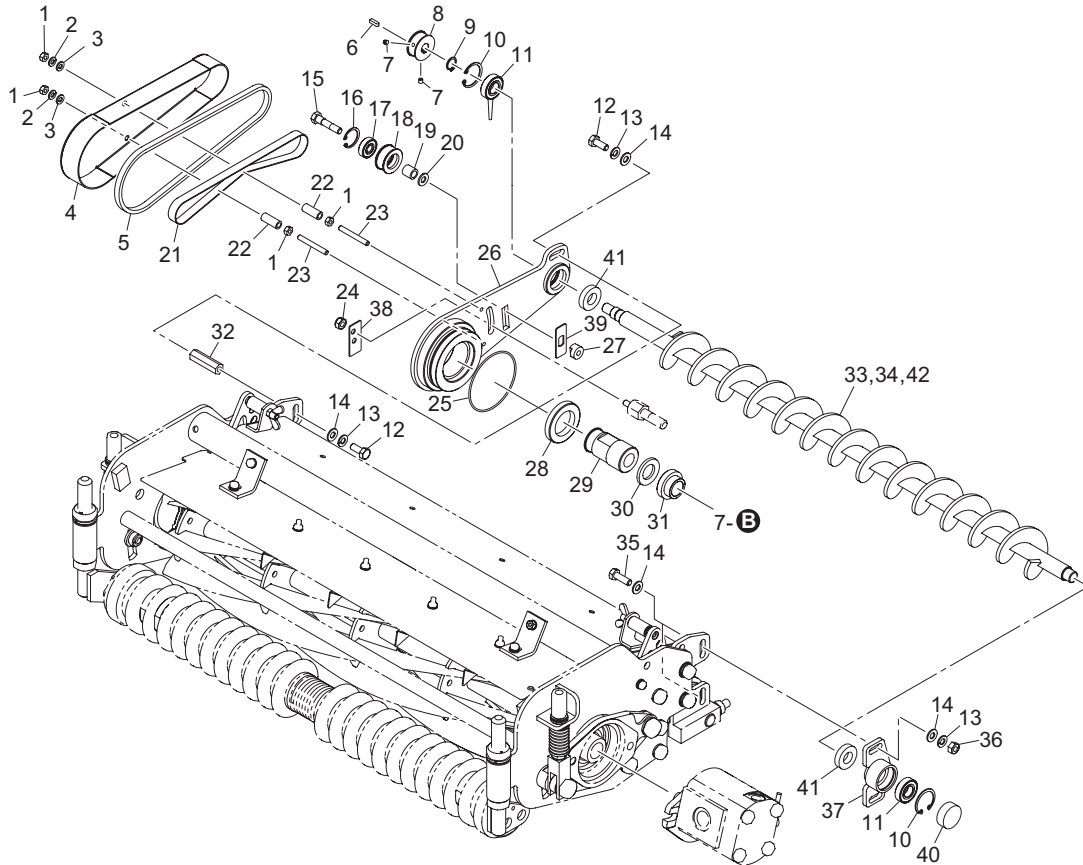


LS66_C09_z00

Cat No.	Code No.	Part name	Qty			Remark	SN of application
			LS60	LS62	LS66		
C9-1	LM283--1901A0	COVER, REEL W/DECAL (FRONT)	0	0	1		
C9-2	K4205001600	DECAL, CAUTION CUTTING HANDS/FEET	0	0	1		
C9-3	K0100060002	NUT, M6	0	0	2		
C9-4	K0200060002	WASHER, SPRING M6	0	0	2		
C9-5	K5000060002	WASHER, M6	0	0	2		
C9-6	LM318--1304AR	FIXTURE, REEL COVER	0	0	2		
C9-7	K0000060152	BOLT, M6-15	0	0	2		

10.CR brush section A (motor on left side)

LS60 • LS62 • LS66

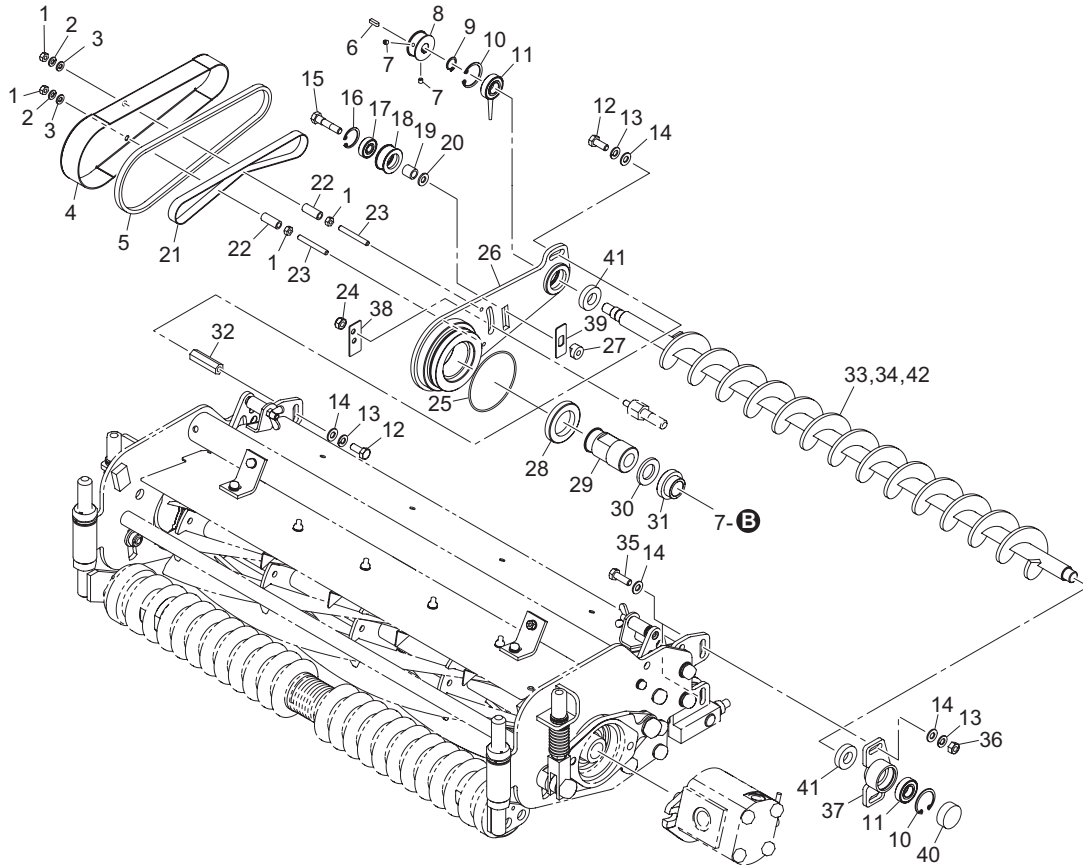


LS66_010_z03

Cat No.	Code No.	Part name	Qty			Remark	SN of application
			LS60	LS62	LS66		
10-1	K0100060002	NUT, M6	0	4	4		
10-2	K0200060002	WASHER, SPRING M6	0	2	2		
10-3	K5000060002	WASHER, M6	0	2	2		
10-4	LM2400-2405ZD	COVER, BELT	0	1	1		
10-5	LM2700-4123Z0	RUBBER, 8U-615	0	1	1		
10-6	K0520404140	KEY, ROUND/SQUARE, M4-414	0	1	1		
10-7	K0023050061	SETSCREW, M5-6	0	2	2		
10-8	LM2400-2410A2	PULLEY, BRUSH SHAFT	0	1	1		
10-9	K0401015001	RING, RETAINING S M15	0	1	1		
10-10	K0402032001	RING, RETAINING R M32	0	2	2		
10-11	K0612060020	BEARING, BALL SEAL 2RD 6002	0	2	2		
10-12	K0000080202	BOLT, M8-20	0	2	2		
10-13	K0200080002	WASHER, SPRING M8	0	4	4		
10-14	K5000080002	WASHER, M8	0	6	6		
10-15	LM2700-4111Z8	BOLT, SPECIAL M8	0	1	1		
10-16	K0402026001	RING, RETAINING R M26	0	1	1		
10-17	K0608006290	BEARING, BALL SEAL 2RS 629	0	1	1		
10-18	LM2700-4108Z2	PULLEY, TENSION 1232	0	1	1		
10-19	K6211000482	COLLAR, SGP M9.2-13.8-14	0	1	1		
10-20	K0213080002	WASHER, DISK SPRING 1H M8	0	1	1		
10-21	K2380000030	BELT, F STAR 10FL-500	0	1	1		
10-22	K6211000492	COLLAR, SGP M6.5-10.5-26.4	0	2	2		
10-23	K0023060502	SETSCREW, M6-50	0	2	2		
10-24	K0144080002	NUT, W/F-RING M8	0	1	1		
10-25	K0885080000	O-RING, S80	0	1	1		
10-26	LS66R--4202ZD	FRAME, BRUSH (LH)	0	1	0		10136-10447
10a-26	LS66R--4202ZD	FRAME, BRUSH (LH)	0	0	1		10529-11582
10b-26	LS66R--4220ZD	FRAME, BRUSH (LH)	0	1	0		10478-
10c-26	LS66R--4220ZD	FRAME, BRUSH (LH)	0	0	1		11583-
10d-26	LS66R--4220ZD	FRAME, BRUSH (LH)	0	0	0		

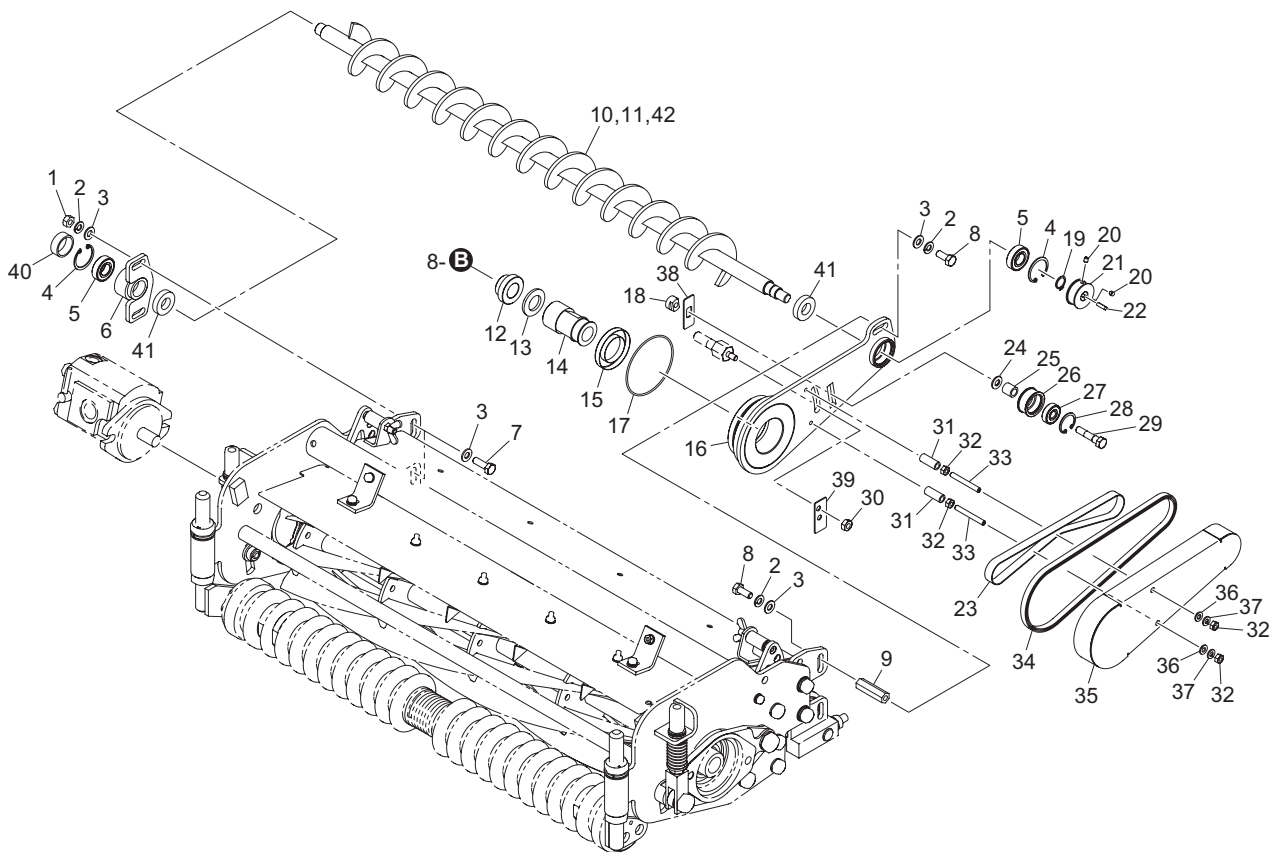
10.CR brush section A (motor on left side)

LS60 • LS62 • LS66



LS66_010_z03

Cat No.	Code No.	Part name	Qty			Remark	SN of application
			LS60	LS62	LS66		
10-27	LM2700-4109Z2	BASE, SCREW	0	1	1		
10-28	K0823555080	OIL SEAL, MHSA355508	0	1	1		
10-29	LM2400-2407Z2	PULLEY, DRIVING 30	0	1	1		
10-30	K0212200002	WASHER, DISK SPRING 1L M20	0	1	1		
10-31	LM2400-2408Z2	COLLAR, STEPPED	0	1	1		
10-32	LS66---4203Z2	NUT, HIGH M8-45.8	0	1	1		
10-33	LS62---4212A0	BRUSH, CR LS22	0	1	0		
10-34	LS66---4212A0	BRUSH, CR LS26	0	0	1		
10-35	K0000080252	BOLT, M8-25	0	2	2		
10-36	K0100080002	NUT, M8	0	2	2		
10-37	LS66---4204AD	HOUSING, BRUSH SHAFT	0	1	0		10136-10447
10a-37	LS66---4204AD	HOUSING, BRUSH SHAFT	0	0	1		10529-11582
10b-37	LS66---4218ZD	HOUSING, BRUSH SHAFT	0	1	0		10478-
10c-37	LS66---4218ZD	HOUSING, BRUSH SHAFT	0	0	1		11583-
10d-37	LS66---4218ZD	HOUSING, BRUSH SHAFT	0	0	0		
10-38	LS66---4205Z2	PLATE, DUST-PROOF	0	1	1		
10-39	LH669L-1206Z2	PLATE	0	1	1		
10-40	K0890000040	CAP, RUBBER 32	0	1	1		
10-41	K0821932080	OIL SEAL, MHSA19328	0	2	0		10478-
10a-41	K0821932080	OIL SEAL, MHSA19328	0	0	2		11583-
10b-41	K0821932080	OIL SEAL, MHSA19328	0	0	0		
10-42	LS60---4212Z0	BRUSH, CR-LS30	0	0	0		

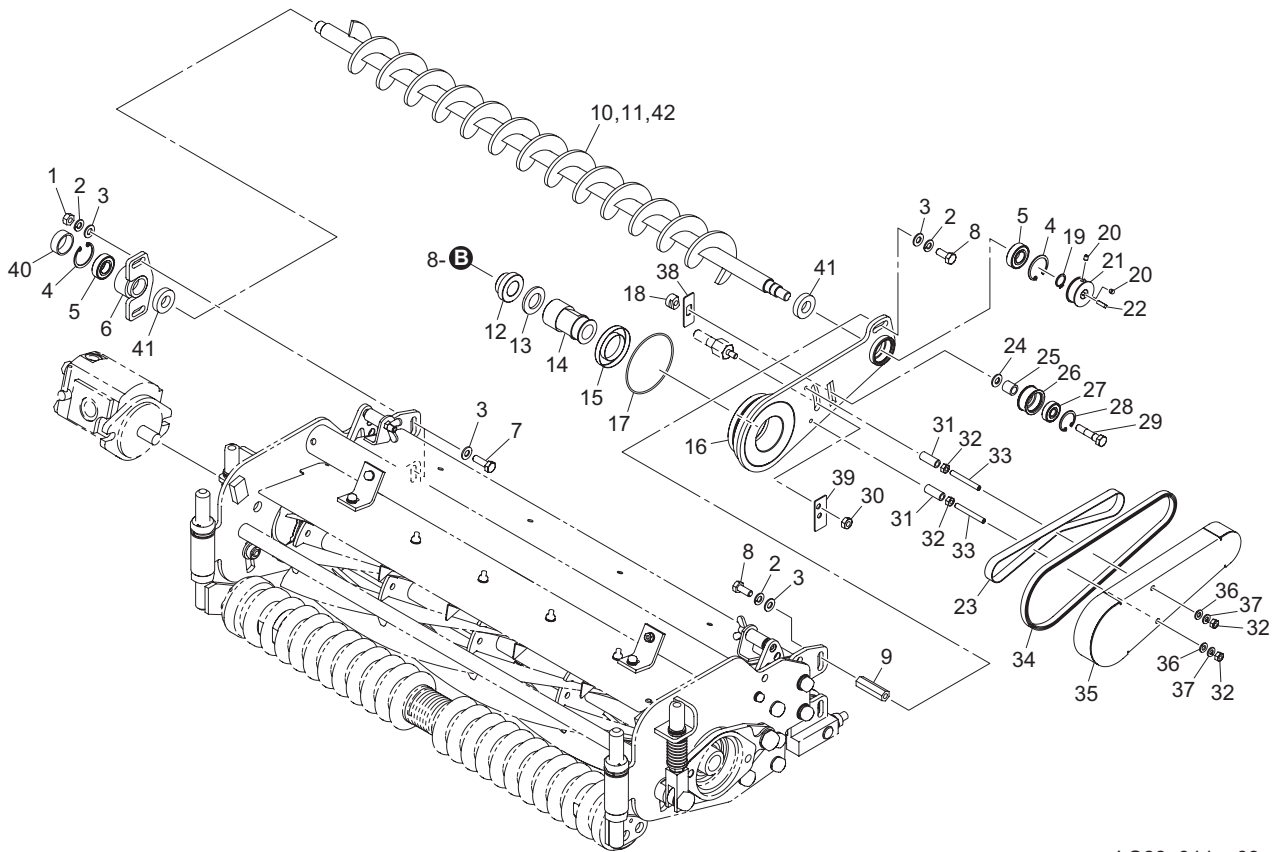


LS66_011_z03

Cat No.	Code No.	Part name	Qty			Remark	SN of application
			LS60	LS62	LS66		
11-1	K0100080002	NUT, M8	2	2	2		
11-2	K0200080002	WASHER, SPRING M8	4	4	4		
11-3	K5000080002	WASHER, M8	6	6	6		
11-4	K0402032001	RING, RETAINING R M32	2	2	2		
11-5	K0612060020	BEARING, BALL SEAL 2RD 6002	2	2	2		
11-6	LS66---4204AD	HOUSING, BRUSH SHAFT	0	1	0		10136-10447
11a-6	LS66---4204AD	HOUSING, BRUSH SHAFT	0	0	1		10529-11582
11b-6	LS66---4218ZD	HOUSING, BRUSH SHAFT	0	1	0		10478-
11c-6	LS66---4218ZD	HOUSING, BRUSH SHAFT	0	0	1		11583-
11d-6	LS66---4218ZD	HOUSING, BRUSH SHAFT	1	0	0		
11-7	K0000080252	BOLT, M8-25	2	2	2		
11-8	K0000080202	BOLT, M8-20	2	2	2		
11-9	LS66---4203Z2	NUT, HIGH M8-45.8	1	1	1		
11-10	LS62---4212A0	BRUSH, CR LS22	0	1	0		
11-11	LS66---4212A0	BRUSH, CR LS26	0	0	1		
11-12	LM2400-2408Z2	COLLAR, STEPPED	1	1	1		
11-13	K0212200002	WASHER, DISK SPRING 1L M20	1	1	1		
11-14	LM2400-2407Z2	PULLEY, DRIVING 30	1	1	1		
11-15	K0823555080	OIL SEAL, MHSA355508	1	1	1		
11-16	LS66L--4201ZD	FRAME, BRUSH (LH)	0	1	0		10136-10447
11a-16	LS66L--4201ZD	FRAME, BRUSH (LH)	0	0	1		10529-11582
11b-16	LS66L--4219ZD	FRAME, BRUSH (LH)	0	1	0		10478-
11c-16	LS66L--4219ZD	FRAME, BRUSH (LH)	0	0	1		11583-
11d-16	LS66L--4219ZD	FRAME, BRUSH (LH)	1	0	0		
11-17	K0885080000	O-RING, S80	1	1	1		
11-18	LM2700-4109Z2	BASE, SCREW	1	1	1		
11-19	K0401015001	RING, RETAINING S M15	1	1	1		
11-20	K0023050061	SETSCREW, M5-6	2	2	2		
11-21	LM2400-2410A2	PULLEY, BRUSH SHAFT	1	1	1		
11-22	K0520404140	KEY, ROUND/SQUARE, M4-414	1	1	1		

11.CR brush section B (motor on right side)

LS60 • LS62 • LS66

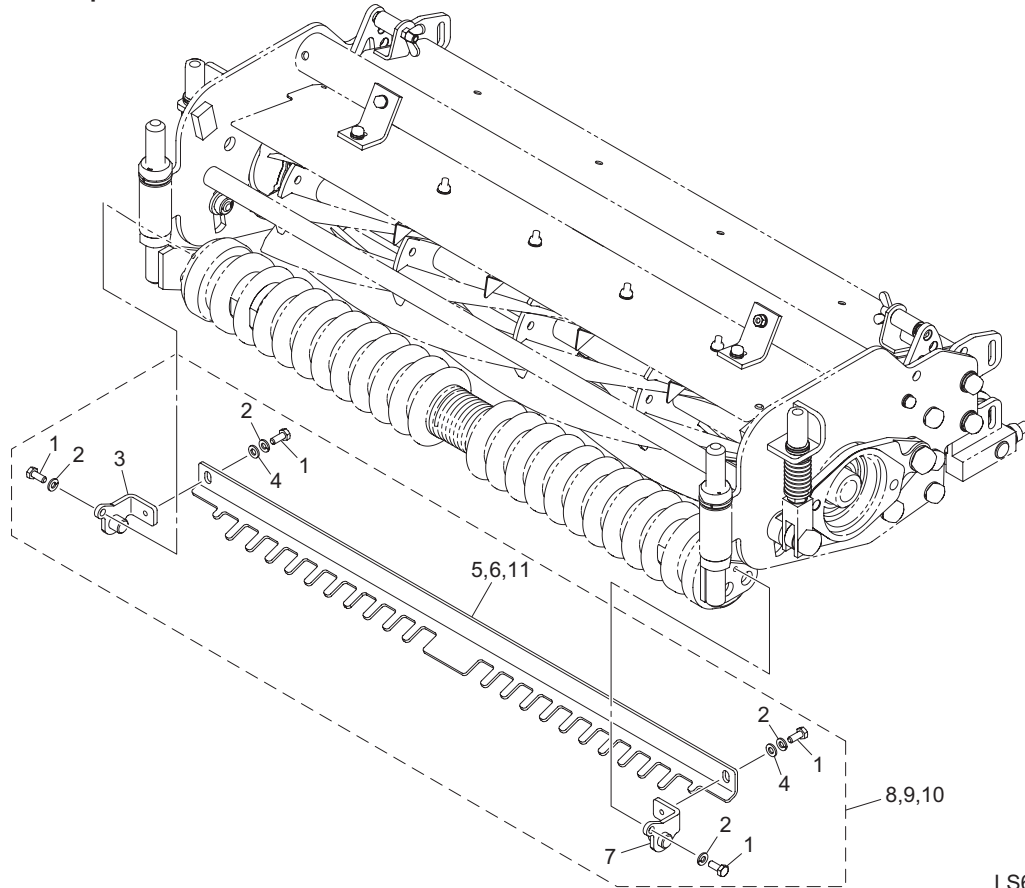


LS66_011_z03

Cat No.	Code No.	Part name	Qty			Remark	SN of application
			LS60	LS62	LS66		
11-23	K2380000030	BELT, F STAR 10FL-500	1	1	1		
11-24	K0213080002	WASHER, DISK SPRING 1H M8	1	1	1		
11-25	K6211000482	COLLAR, SGP M9.2-13.8-14	1	1	1		
11-26	LM2700-4108Z2	PULLEY, TENSION 1232	1	1	1		
11-27	K0608006290	BEARING, BALL SEAL 2RS 629	1	1	1		
11-28	K0402026001	RING, RETAINING R M26	1	1	1		
11-29	LM2700-4111Z8	BOLT, SPECIAL M8	1	1	1		
11-30	K0144080002	NUT, W/F-RING M8	1	1	1		
11-31	K6211000492	COLLAR, SGP M6.5-10.5-26.4	2	2	2		
11-32	K0100060002	NUT, M6	4	4	4		
11-33	K0023060502	SETSCREW, M6-50	2	2	2		
11-34	LM2700-4123Z0	RUBBER, 8U-615	1	1	1		
11-35	LM2400-2405ZD	COVER, BELT	1	1	1		
11-36	K5000060002	WASHER, M6	2	2	2		
11-37	K0200060002	WASHER, SPRING M6	2	2	2		
11-38	LH669L-1206Z2	PLATE	1	1	1		
11-39	LS66---4205Z2	PLATE, DUST-PROOF	1	1	1		
11-40	K0890000040	CAP, RUBBER 32	1	1	1		
11-41	K0821932080	OIL SEAL, MHSA19328	0	2	0		10478-
11a-41	K0821932080	OIL SEAL, MHSA19328	0	0	2		11583-
11b-41	K0821932080	OIL SEAL, MHSA19328	2	0	0		
11-42	LS60---4212Z0	BRUSH, CR-LS30	1	0	0		

12.Front scraper section

LS60 • LS62 • LS66

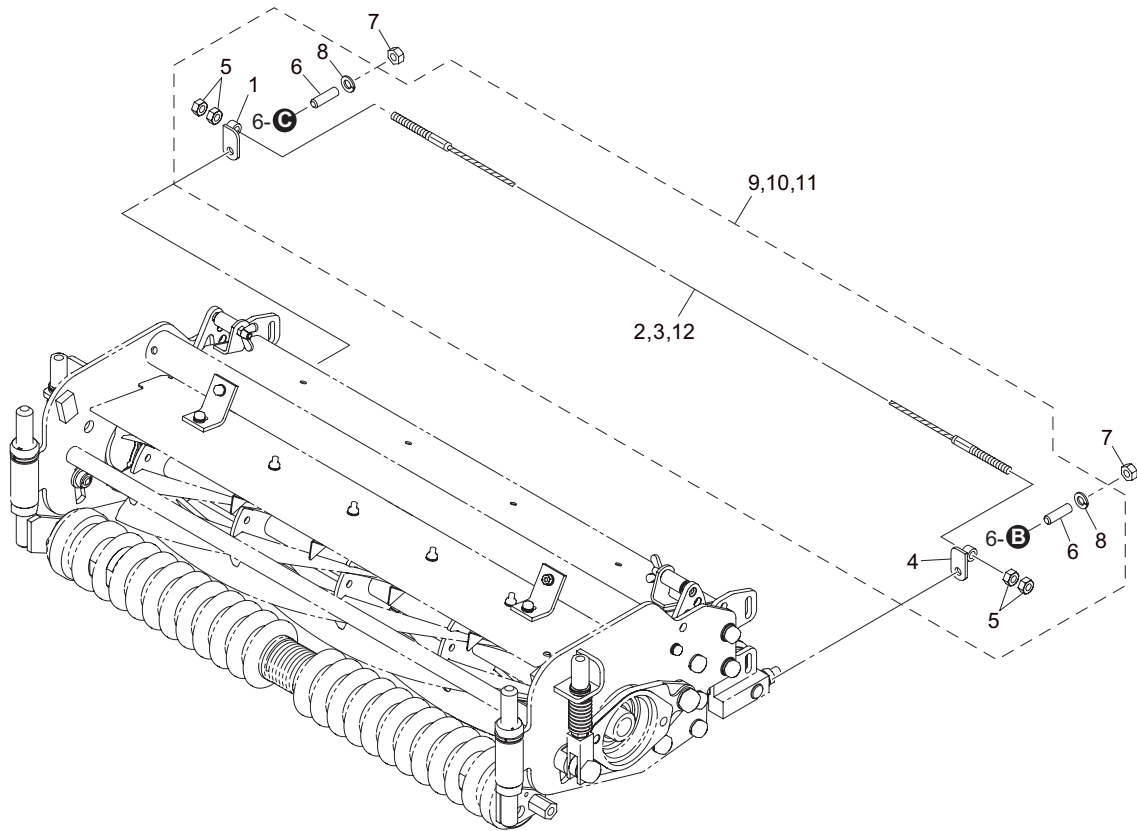


LS66_012_z03

Cat No.	Code No.	Part name	Qty			Remark	SN of application
			LS60	LS62	LS66		
12-1	K0000060152	BOLT, M6-15	4	4	4		
12-2	K0200060002	WASHER, SPRING M6	4	4	4		
12-3	LS66---4503A2	BRACKET, (RH)	1	1	1		
12-4	K5000060002	WASHER, M6	2	2	2		
12-5	LS62---4501Z2	SCRAPER, 22	0	1	0		
12-6	LS66---4501Z2	SCRAPER, 26	0	0	1		
12-7	LS66---4502A2	BRACKET, (LH)	1	1	1		
12-8	LS62---4510Z0	SCRAPER ASSY	0	1	0		
12-9	LS66---4510Z0	SCRAPER ASSY	0	0	1		
12-10	LS60---4510Z0	SCRAPER ASSY	1	0	0		
12-11	LS60---4501Z2	SCRAPER, 30	1	0	0		

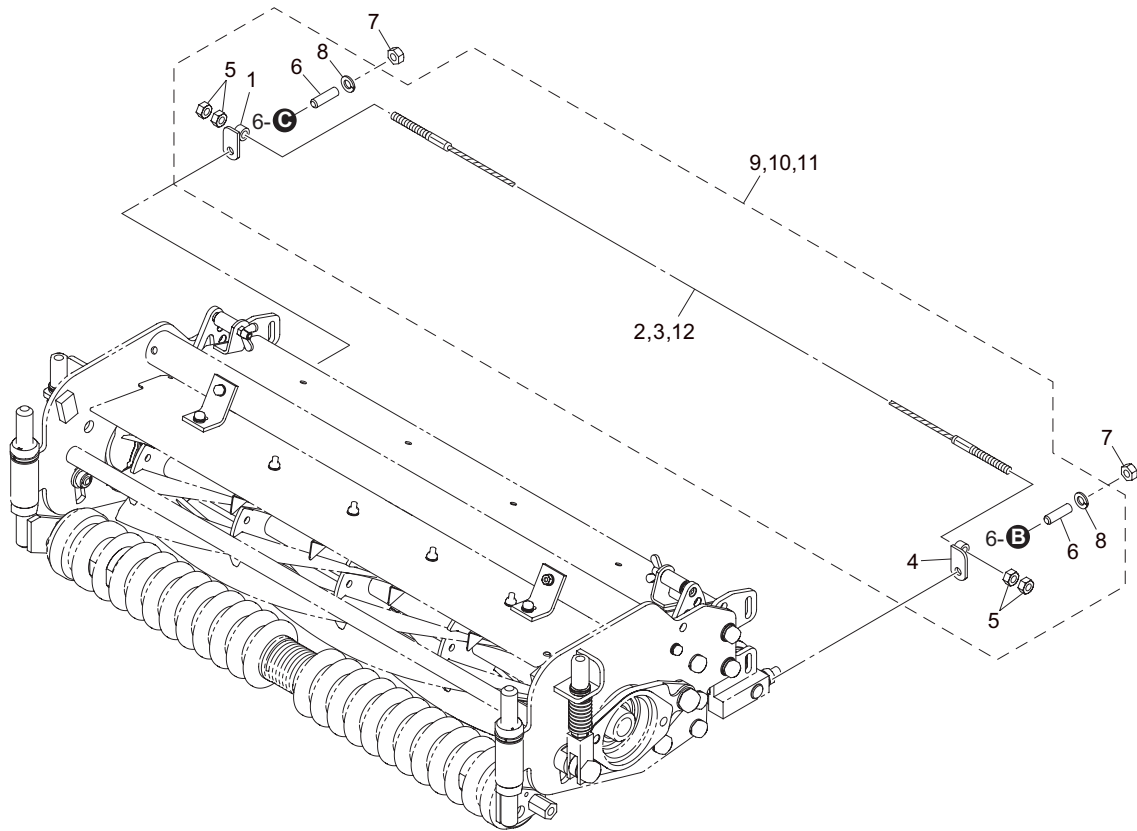
13.Rear scraper section A (wire type A)

LS60 • LS62 • LS66



LS66_013_z02

Cat No.	Code No.	Part name	Qty			Remark	SN of application
			LS60	LS62	LS66		
13-1	K735500068D	BRACKET, A (RH)	1	1	1		
13-2	K1170071000	CABLE, 710	0	1	0		
13-3	K1170081000	WIRE, 810	0	0	1		
13-4	K735500069D	BRACKET, B (LH)	1	1	1		
13-5	K0100080002	NUT, M8	4	4	4		
13-6	K0023100351	SETSCREW, M10-35	2	2	2		
13-7	K0100100002	NUT, M10	2	2	2		
13-8	K0200100002	WASHER, SPRING M10	2	2	2		
13-9	LS62---4710Z0	SCRAPER ASSY, REAR	0	1	0		
13-10	LS66---4710Z0	SCRAPER ASSY, REAR	0	0	1		
13-11	LS60---4710Z0	SCRAPER ASSY, REAR	1	0	0		
13-12	K1170091500	WIRE, 915	1	0	0		

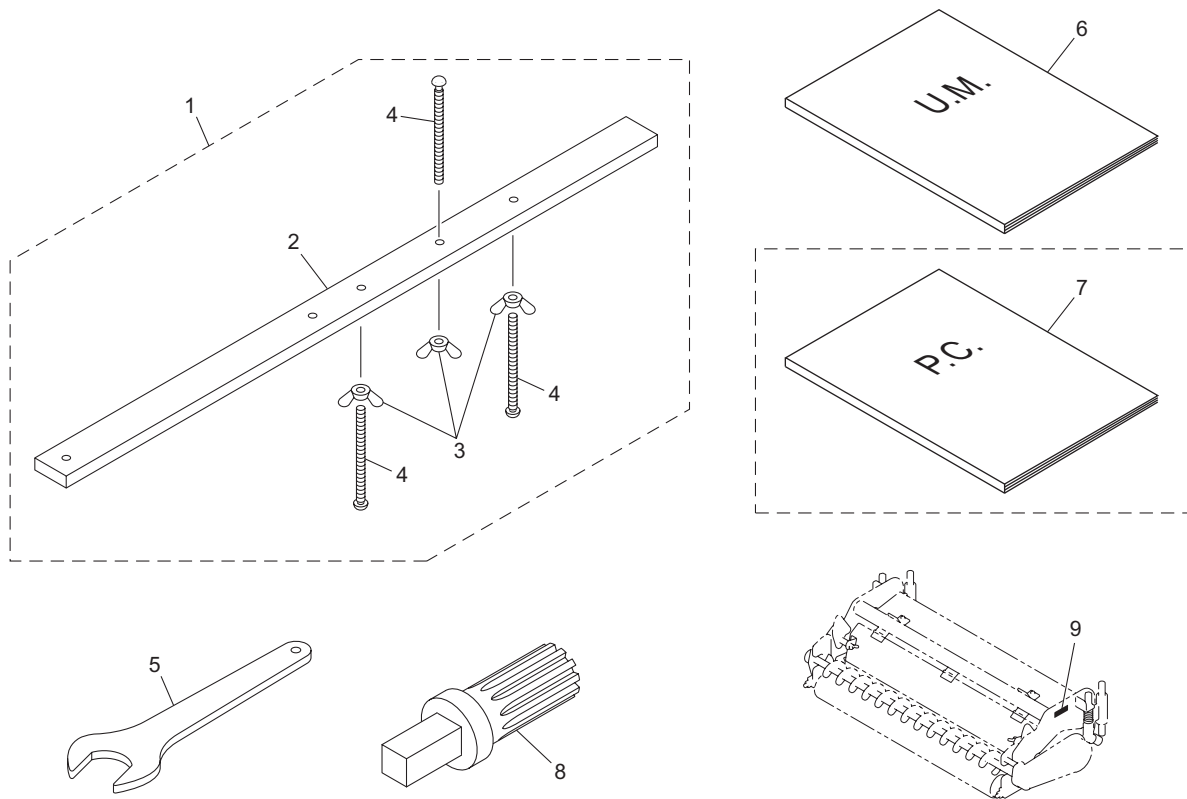


LS66_A13_z02

Cat No.	Code No.	Part name	Qty			Remark	SN of application
			LS60	LS62	LS66		
A13-1	K735500069D	BRACKET, B (LH)	1	1	1		
A13-2	K1170067000	CABLE, 670	0	1	0		
A13-3	K1170077500	CABLE, 775	0	0	1		
A13-4	K735500068D	BRACKET, A (RH)	1	1	1		
A13-5	K0100080002	NUT, M8	4	4	4		
A13-6	K0023100351	SETSCREW, M10-35	2	2	2		
A13-7	K0100100002	NUT, M10	2	2	2		
A13-8	K0200100002	WASHER, SPRING M10	2	2	2		
A13-9	LS62---4710A0	SCRAPER ASSY, REAR	0	1	0		10231-
A13-10	LS66---4710A0	SCRAPER ASSY, REAR	0	0	1		11252-
A13-11	LS60---4710Z0	SCRAPER ASSY, REAR	1	0	0		
A13-12	K1170091500	WIRE, 915	1	0	0		

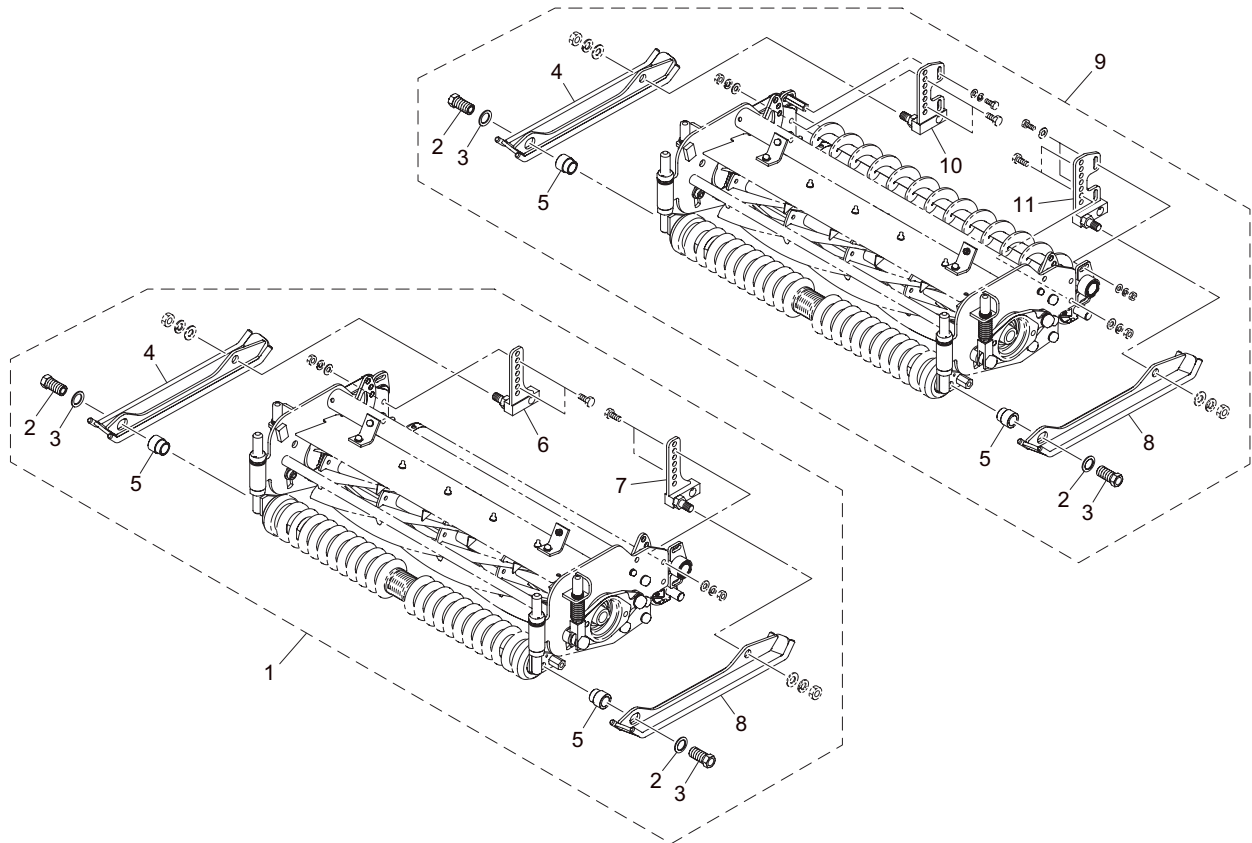
14. Accessories

LS60 • LS62 • LS66



LS66_014_z04

Cat No.	Code No.	Part name	Qty			Remark	SN of application
			LS60	LS62	LS66		
14-1	LM2700-1502A0	GAUGE ASSY, CUTTING HEIGHT	1	1	1		
14-2	LM2700-1501A2	GAUGE, CUTTING HEIGHT 600A	1	1	1		
14-3	K0141060002	NUT, WING M6-3	1	1	1		
14-4	K0071000522	SCREW, FOR ADJ HOC M6-75	1	1	1		
14-5	K480200081D	SPANNER, SLIM SINGLE-ENDED 46	1	1	1		
14a-6	750101-120-A	OWNERS OPERATING MANUAL, LS60/62/66	1	1	1		
14a-7	750101-120-B	PARTS CATALOG, LS60/62/66	0	1	0	Available for sale	10231-
14-8	LS66---7001Z2	SHAFT, LAPPING	1	1	1	option	
14-9	LS62---0102Z0	DECAL, QR CODE LS62	0	1	0		10231-
14a-9	LS66---0102Z0	DECAL, QR CODE LS66	0	0	1		11252-
14b-9	LS60---0102Z0	DECAL, QR CODE LS60	1	0	0		10001-



LS66_015_z00

Cat No.	Code No.	Part name	Qty			Remark	SN of application
			LS60	LS62	LS66		
15-1	LS66---7005Z0	KIT, RUNNERS WITHOUT CR	1	1	1	option	
15-2	LS66---7008Z2	SHAFT, MOUNTING RUNNERS	2	2	2		
15-3	K0214200001	WASHER, DISK SPRING 2L M20	2	2	2		
15-4	LS66---7007ZR	RUNNERS, (RH)	1	1	1		
15-5	LS66---7009Z2	COLLAR, STEPPED	2	2	2		
15-6	LS66---7011Z2	BRACKET, ROLLER (RH)	1	1	1		
15-7	LS66---7010Z2	BRACKET, ROLLER (LH)	1	1	1		
15-8	LS66---7006ZR	RUNNERS, (LH)	1	1	1		
15-9	LS66---7012Z0	KIT, RUNNERS WITH CR	1	1	1	option	
15-10	LS66---7014Z2	BRACKET, ROLLER (RH)	1	1	1		
15-11	LS66---7013Z2	BRACKET, ROLLER (LH)	1	1	1		

MEMO

BARONESS[®]
Quality on Demand

 **KYOEISHA CO., LTD.**
Head Office 1-26, Miyuki-cho, Toyokawa-city, Tel :+81-533-84-1390
Aichi-pref, 442-8530 JAPAN Fax :+81-533-84-1220