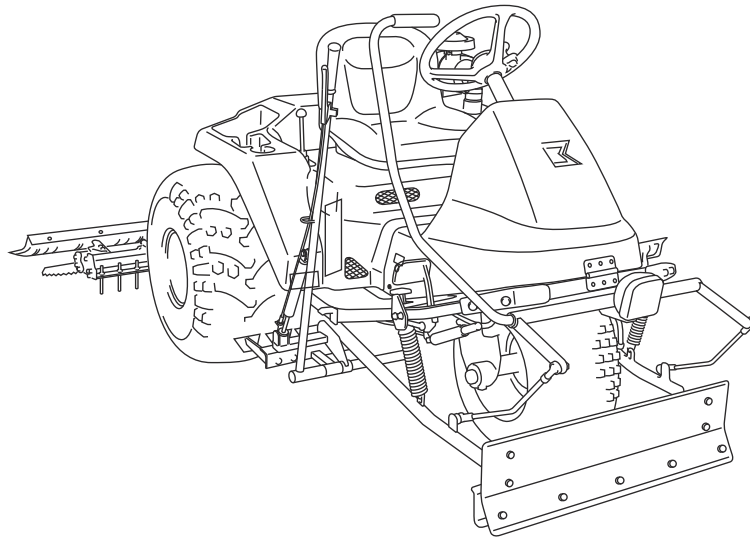


# ***SP05A***

Bunker Rake

## Owner's Operating Manual



Serial No. SP05A : 21506-

"Required reading"  
Read this manual before using the machine.

---

**BARONESS**<sup>®</sup>  
Quality on Demand

Original Instructions Ver.2.6

SP05A

# Regulations

---

## EU Regulations

(For EU)

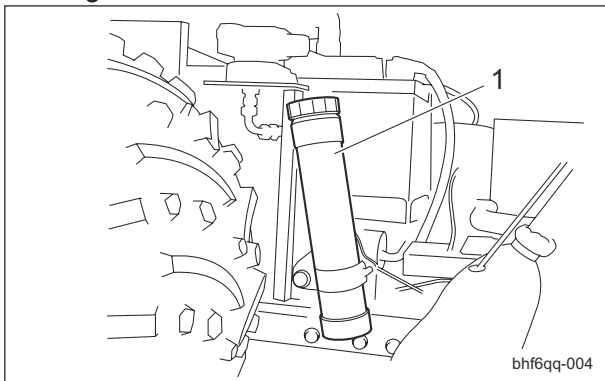
This product complies with all relevant EU Regulations.

For more information, please refer to the Declaration of Conformity attached.

Thank you for purchasing the Baroness product. This manual describes the proper handling, adjustment, and inspection of your product. We hope you will use the product safely, and take advantage of its best performance.

### Keeping The Owner's Operating Manual

Keep this Owner's Operating Manual in the box on the right side of the seat.

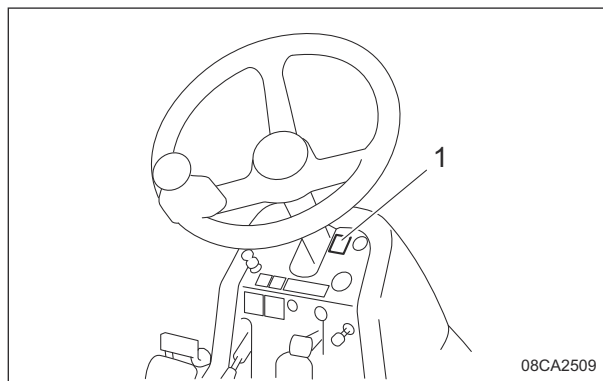


Keeping The Owner's Operating Manual\_001

|   |     |
|---|-----|
| 1 | Box |
|---|-----|

### QR Code

A QR code label is affixed on the machine.



QR Code\_001

|   |               |
|---|---------------|
| 1 | QR code label |
|---|---------------|

Scan the QR code with your smartphone for easy access to Baroness Manual Reference Service where you can browse Owner's Operating Manual and Parts Catalog.  
<https://doc.baroness-international.com/manuals/SP05A>



QR Code\_002

# Introduction

---

Read this manual carefully to ensure that you thoroughly understand how to properly operate and maintain the product, and to avoid causing injury to yourself or others.

The operator is responsible for operating the product properly and safely.

Maintenance service for this machine should be performed by a mechanic with expertise.

If you have any questions concerning maintenance or genuine parts, please contact a Baroness dealer or Kyoisha.

When making inquiries about your product, please specify the model and serial number.

When loaning or transferring the product, please also provide this manual together with the product.

Kyoeisha Co., Ltd.

## Warning Symbols

This manual uses the following warning symbols for handling precautions that are important for your safety.



696cq5-001

Warning symbol

This symbol indicates the articles regarding “Danger,” “Warning,” or “Caution.”

Those articles describe important safety precautions and so read them carefully to understand completely before operating the machine.

Failure to adequately follow these safety precautions may cause an accident.

### **Danger**

This symbol indicates that serious injury or death will occur if the warning is ignored.

### **Warning**

This symbol indicates that serious injury or death may occur if the warning is ignored.

### **Caution**

This symbol indicates that injury or damage to property may occur if the warning is ignored.

### **Important**

This symbol indicates precautions on the mechanism of the machine.

## Precautionary Statement

 Caution

The information described in this manual is subject to change for improvement without prior notice.

When replacing parts, be sure to use genuine Baroness parts or parts designated by Kyoeshia.

Note that the Baroness product warranty may not apply to defects caused by the use of parts from other companies.

Prior to use, carefully read the following manuals to thoroughly understand the contents for safe and correct operation.

- Baroness Owner's Operating Manual
- The Engine's Owner's Manual
- The Battery's Owner's Manual

## Purpose

This product is intended for leveling bunkers at golf courses.

Do not use this product in any other way than its intended purpose, and do not modify the product.

Operating this product for other purposes and modifying it may be very dangerous and may cause damage to the machine.

In addition, this product is not authorized for operation as a special motor vehicle. Do not operate it on public roads.

SP05A

# Introduction

---

# Contents

---

|  |                 |                                  |                 |
|--|-----------------|----------------------------------|-----------------|
| <b>Safety</b> .....                      | <b>Page 1-1</b> | <b>Repair</b> .....              | <b>Page 7-1</b> |
| Safe Operating Practices .....           | Page 1-2        | Precautions for Repair .....     | Page 7-2        |
| <b>Disposal</b> .....                    | <b>Page 2-1</b> | Adjustment and Replacement ..... | Page 7-2        |
| Recycle and Waste Disposal .....         | Page 2-2        | Towing .....                     | Page 7-5        |
| <b>Product Overview</b> .....            | <b>Page 3-1</b> | <b>Appended Table</b> .....      | <b>Page 8-1</b> |
| Specifications .....                     | Page 3-2        | Tightening Torques .....         | Page 8-2        |
| Names of Each Section .....              | Page 3-4        | Maintenance Schedule .....       | Page 8-6        |
| Regulation Decals .....                  | Page 3-5        | List of Adjusted Values .....    | Page 8-7        |
| Safety Signs and Instruction Signs ..... | Page 3-8        |                                  |                 |
| Operation Decals .....                   | Page 3-12       |                                  |                 |
| <b>Description of Functions</b> .....    | <b>Page 4-1</b> |                                  |                 |
| Key Switch .....                         | Page 4-2        |                                  |                 |
| Throttle Lever .....                     | Page 4-2        |                                  |                 |
| Choke Lever .....                        | Page 4-2        |                                  |                 |
| Up/Down Switch Lever .....               | Page 4-3        |                                  |                 |
| 2WD/3WD Selector Lever .....             | Page 4-3        |                                  |                 |
| Light Switch .....                       | Page 4-3        |                                  |                 |
| Traveling Pedal .....                    | Page 4-4        |                                  |                 |
| Brake Pedal .....                        | Page 4-4        |                                  |                 |
| Broom Holder .....                       | Page 4-4        |                                  |                 |
| Cargo Box .....                          | Page 4-5        |                                  |                 |
| Instruments on The Operation Panel ..... | Page 4-5        |                                  |                 |
| Safety Device .....                      | Page 4-6        |                                  |                 |
| Warning Mechanisms .....                 | Page 4-6        |                                  |                 |
| <b>Handling Instructions</b> .....       | <b>Page 5-1</b> |                                  |                 |
| Operations Before Service .....          | Page 5-2        |                                  |                 |
| Inspection and Cleaning .....            | Page 5-3        |                                  |                 |
| Adjustment before Work .....             | Page 5-14       |                                  |                 |
| Start/Stop of Engine .....               | Page 5-15       |                                  |                 |
| Parking and Stopping .....               | Page 5-16       |                                  |                 |
| Move .....                               | Page 5-16       |                                  |                 |
| Operations .....                         | Page 5-16       |                                  |                 |
| Transporting .....                       | Page 5-19       |                                  |                 |
| <b>Maintenance</b> .....                 | <b>Page 6-1</b> |                                  |                 |
| Precautions for Maintenance .....        | Page 6-2        |                                  |                 |
| Jacking Up The Machine .....             | Page 6-2        |                                  |                 |
| Greasing .....                           | Page 6-3        |                                  |                 |
| Lubrication .....                        | Page 6-6        |                                  |                 |
| Adjustment and Replacement .....         | Page 6-6        |                                  |                 |
| Storage .....                            | Page 6-18       |                                  |                 |

SP05A

# Contents

---

**Safe Operating Practices ..... Page 1-2**

Training ..... Page 1-2

Preparation ..... Page 1-2

Operation ..... Page 1-3

Maintenance ..... Page 1-4

Storage ..... Page 1-4



# Safety

Failure to adequately follow these safety precautions may cause an accident resulting in injury or death.

## Danger

This product is designed to ensure safe operation and has been tested and inspected thoroughly before shipment from the factory. The product is equipped with safety devices to prevent accidents.

However, whether the product demonstrates its original performance level depends on the manner in which it is operated and handled, as well as the manner in which it is managed on a daily basis.

Inappropriate use or management of the product may result in injury or death.

Observe the following safety instructions to ensure safe operation.

## Safe Operating Practices

### Training

1. Read this manual and other training material carefully.

Be familiar with the controls, safety signs, and the proper use of the equipment.

2. If the operator or mechanic can not read the language used in this manual, it is the owner's responsibility to explain this material to them.

3. All operators and mechanics should seek and obtain professional and practical instruction.

The owner is responsible for training the users.

Such instruction should emphasize:

- [1] The need for care and concentration when working with ride-on machines.

- [2] Control of a ride-on machine sliding on a slope will not be regained by the application of the brake.

The main reasons for loss of control are

- Insufficient wheel grip
- Being driven too fast
- Inadequate braking
- The type of machine is unsuitable for its task
- Lack of awareness of the effect of ground conditions, especially slopes
- Incorrect hitching and load distribution

4. Never allow children or people unfamiliar with these instructions to use or service the machine.

Local regulations may restrict the age of the operator.

5. The owner/user can prevent and is responsible for accidents or injuries occurring to themselves, other people, or property.
6. Keep in mind that the owner, operator, and mechanic are responsible for accidents or hazards occurring to other people or their property.
7. You can find additional safety information where needed throughout this manual.
8. Determine the left and right sides of the machine from the normal operating position.

### Preparation

1. Evaluate the terrain to determine what accessories and attachments are needed to properly and safely perform the job. Only use accessories and attachments approved by the manufacturer.
2. While operating, always wear substantial footwear, long trousers, hard hat, safety glasses, mask, and ear protection. Long hair, loose clothing, or jewelry may get tangled in moving parts. Do not operate the equipment when barefoot or wearing open sandals.
3. Inspect the area where the equipment is to be used and remove all objects such as rocks, toys and wire which can be thrown by the machine.
4. Keep children out of the operating area and under the watchful care of a responsible adult other than the operator.
5. Exercise care in the handling of fuel.

## Warning

Fuel is highly flammable.

Take the following precautions:

- [1] Store fuel in containers specifically designed for this purpose.
- [2] Add fuel before starting the engine. Never remove the cap of the fuel tank or add fuel while the engine is running or when the engine is hot.
- [3] Refuel outdoors only and do not smoke while refueling.

- [4] If fuel is spilled, do not attempt to start the engine but move the machine away from the area of spillage and avoid creating any source of ignition until petrol vapours have dissipated;
- [5] Replace all fuel tanks and container caps securely.
- 6. Check that operator's presence controls, safety switches and shields are attached and functioning properly.  
Do not operate unless they are functioning properly.
- 7. If the brake operation is faulty, be sure to adjust or repair them before operating the machine.
- 8. Replace faulty mufflers.

### Operation

- 1. Do not operate the machine under the influence of alcohol or drugs.
- 2. Do not operate the engine in a confined space where dangerous carbon monoxide fumes can collect.
- 3. Be sure all drives and shift are in neutral and parking brake is engaged before starting engine.  
Only start engine from the operator's position.  
Use seat belts if provided.
- 4. Do not change the engine governor settings or overspeed the engine.  
Operating the engine at excessive speed may increase the hazard of personal injury.
- 5. Never operate the machine with damaged guards, shields, or without safety protective devices in place.  
Be sure all interlocks are attached, adjusted properly, and functioning properly.
- 6. Keep hands and feet away from the rotating parts.
- 7. Do not carry passengers.
- 8. Never operate while people, especially children, or pets are nearby.
- 9. Only operate in good light, keeping away from holes and hidden hazards.
- 10. Do not operate the machine when there is the risk of lightning.
- 11. Do not stop or start suddenly.
- 12. Look behind and down before backing up to be sure of a clear path.

- 13. Slow down and use caution when making turns and crossing roads and sidewalks.
- 14. Use care when approaching blind corners, shrubs, trees, or other objects that may obscure vision.
- 15. Do not take your eyes off the road ahead.  
Do not operate the machine with no hands.
- 16. Remember there is no such thing as a safe slope.  
Travel on grass slopes requires particular care.  
To guard against overturning, follow these instructions.
  - [1] Do not stop or start suddenly when going up or downhill.
  - [2] Engage clutch slowly, always keep machine in gear, especially when traveling downhill.
  - [3] Machine speeds should be kept low on slopes and during turns.
  - [4] Stay alert for humps and hollows and other hidden hazards.
- 17. Never use the machine on a slope with an angle of gradient that is greater than that specified or in a place where there is a danger of the machine slipping.
- 18. Use extra care while operating machine with a grass catcher or other attachments.  
They can affect the stability of the machine.
- 19. Do the following before leaving the operator's position.
  - [1] Stop on level ground.
  - [2] Set the parking brake.
  - [3] Stop the engine.
  - [4] Remove the ignition key.
- 20. Stop the engine in the following conditions.
  - [1] Before refuelling.
  - [2] Before making height or depth adjustment unless adjustment can be made from the operator's position.
  - [3] Before checking, cleaning or working on the machine.
  - [4] After striking a foreign object or if an abnormal vibration occurs.  
Inspect the machine for damage and make repairs before restarting and operating the equipment.
- 21. Reduce the throttle setting during engine run-out.

# Safety

---

22. Take care when loading or unloading the machine into a trailer or a truck.  
Load or unload the machine in a flat and safe place.  
Before loading or unloading, set the parking brake on the truck or trailer, stop the engine, and chock the wheels.  
When transporting the machine on a truck or a trailer, set the parking brake, stop the engine, and fasten the machine to the truck with a rope or other suitable restraining device that has sufficient strength.  
When using a running board, select one with sufficient strength, length, and width and that will not cause the machine to slip.
23. Close the fuel valve before transporting the machine.

## Maintenance

1. Never allow untrained personnel to service machine.
2. Implement the following work before adjusting, cleaning or repairing.
  - [1] Stop the machine on level ground.
  - [2] Set the parking brake.
  - [3] Stop the engine.
  - [4] Remove the ignition key.
  - [5] Wait for all movement to stop.
3. Allow the engine/muffler to cool before checking/maintenance.
4. To reduce the fire hazard, keep hot parts such as the engine and silencer/muffler, battery compartment and fuel storage area free of grass, leaves, or excessive grease. Clean up oil or fuel spillage.
5. Appropriately manage and correctly use the tools necessary for servicing or adjusting the machine.
6. Disconnect battery before making any repairs.  
Disconnect the negative terminal first and the positive last.  
Reconnect positive first and negative last.
7. Use jack stands to support components when required.
8. Keep hands and feet away from moving parts.  
If possible, do not make adjustments with the engine running.
9. Make sure that parts such as wires are not touching each other and that their covers have not come off.
10. Keep all parts in good working condition and all hardware tightened.  
Replace all worn or damaged decals.
11. Keep all nuts, bolts and screws tight to be sure the equipment is in safe working condition.
12. Carefully release pressure from components with stored energy.
13. Be sure to depressurize the hydraulic system before performing maintenance operations on it such as removing hydraulic equipment.
14. Check whether line connectors in the hydraulic system are properly tightened.  
Before applying hydraulic pressure, check the connections of the hydraulic pressure lines and the condition of the hoses.
15. When checking the hydraulic circuit for pinhole leaks or oil leakage from nozzles, do not use your hands.  
Use items such as paper or corrugated cardboard to find leakage points.  
Be extremely careful with high-pressure oil as it may pierce your skin, resulting in an injury.  
If fluid is injected into the skin it must be surgically removed within a few hours by a doctor familiar with this form of injury or gangrene may result.
16. Charge batteries in an open well ventilated area, away from spark and flames.  
Unplug charger before connecting or disconnecting from battery.  
Wear protective clothing and use insulated tools.
17. If the fuel tank has to be drained, do this outdoors.

## Storage

1. Allow the engine to cool before storing in any enclosure.
2. Only cover the machine with a sheet after hot parts have sufficiently cooled down.
3. Never store the equipment with fuel in the tank inside a building where fumes may reach an open flame or spark.
4. If the engine is provided with a shut-off valve, shut off valve while storing or transporting.

5. Do not store fuel near flames.



**Recycle and Waste Disposal ..... Page 2-2**

About Recycle .....Page 2-2

About Waste Disposal ..... Page 2-2

Disposal

# Disposal

---

## Recycle and Waste Disposal

### About Recycle

Recycling battery etc. is recommended for environmental conservation and economical use of resources.

It may be required by local laws.

### About Waste Disposal

Make sure that waste generated when servicing or repairing the machine is disposed of in accordance with local regulations. (e.g. waste oil, antifreeze, rubber products, and wires etc.)

|  |                  |
|--|------------------|
| <b>Specifications .....</b>                                  | <b>Page 3-2</b>  |
| Specifications .....   | Page 3-2         |
| Sound Pressure Level .....                                   | Page 3-3         |
| Sound Power Level .....                                      | Page 3-3         |
| Vibration Level .....  | Page 3-3         |
| Carbon Dioxide (CO <sub>2</sub> ) Emissions .....            | Page 3-3         |
| <b>Names of Each Section .....</b>                           | <b>Page 3-4</b>  |
| <b>Regulation Decals .....</b>                               | <b>Page 3-5</b>  |
| Positions of Regulation Decals .....                         | Page 3-5         |
| Description of Regulation Decals .....                       | Page 3-5         |
| <b>Safety Signs and Instruction Signs .....</b>              | <b>Page 3-8</b>  |
| About Safety Signs and Instruction<br>Signs .....            | Page 3-8         |
| Positions of Safety Decals and<br>Instruction Decals .....   | Page 3-8         |
| Description of Safety Decals and<br>Instruction Decals ..... | Page 3-9         |
| <b>Operation Decals .....</b>                                | <b>Page 3-12</b> |
| Positions of Operation Decals .....                          | Page 3-12        |
| Description of Operation Decals .....                        | Page 3-13        |

# Product Overview

## Specifications

### Specifications

|                                   |                           |  |                                    |               |              |                          |  |
|-----------------------------------|---------------------------|--|------------------------------------|---------------|--------------|--------------------------|--|
| Model                             |                           | SP05A                                  |                                    |               |              |                          |  |
| Name                              |                           | Bunker Rake                            |                                    |               |              |                          |  |
| Type                              |                           | 2WD                                    |                                    |               | 3WD          |                          |  |
| Dimensions                        | Total length              | with Rake                              | 215 cm                             | 84.65 in      | ←            | ←                        |  |
|                                   |                           | with Rake and Blade                    | 230 cm                             | 90.55 in      | ←            | ←                        |  |
|                                   | Total width               |  | 190 cm                             | 74.80 in      | ←            | ←                        |  |
|                                   | Total height              | Steering wheel                         | 120 cm                             | 47.24 in      | ←            | ←                        |  |
| Weight                            | Machine (empty fuel tank) | with Rake                              | 448 kg                             | 987.65 lb     | 475 kg       | 1047.18 lb               |  |
|                                   | Blade                     |  | 25 kg                              | 55.11 lb      | ←            | ←                        |  |
|                                   | Cultivator                |  | 19 kg                              | 41.89 lb      | ←            | ←                        |  |
|                                   | Finishing brush           |  | 10.6 kg                            | 23.37 lb      | ←            | ←                        |  |
| Minimum turning radius            |                           | 339 cm                                 | 133.46 in                          | ←             | ←            |                          |  |
| Engine                            | Model                     |  | Vanguard 356447                    |               |              | ←                        |  |
|                                   | Type                      |  | Air-cooled 4-cycle gasoline engine |               |              | ←                        |  |
|                                   | Total displacement        |  | 570 cm <sup>3</sup> (0.57 L)       | 34.78 cu.in.  | ←            | ←                        |  |
|                                   | Maximum output            |  | 13.4 kW (18.2 PS)/3,600 rpm        |               |              | ←                        |  |
|                                   | Rated output              |  | -                                  |               |              | -                        |  |
| Fuel tank capacity                |                           | Gasoline 15.0 dm <sup>3</sup> (15.0 L) | Gasoline 3.96 U.S.gal.             | ←             | ←            |                          |  |
| Fuel consumption                  |                           | 310 g/kW · h (rated output)            | 228 g/PS · h (rated output)        | ←             | ←            |                          |  |
| Engine oil capacity               |                           | 1.6 dm <sup>3</sup> (1.6 L)            | 0.42 U.S.gal.                      | ←             | ←            |                          |  |
| Coolant volume                    |                           | -                                      |                                    |               | -            |                          |  |
| Hydraulic tank capacity           |                           | 15.0 dm <sup>3</sup> (15.0 L)          | 3.96 U.S.gal.                      | ←             | ←            |                          |  |
| Transmission oil capacity         |                           | -                                      |                                    |               | -            |                          |  |
| Operating width                   | Rake                      |  | 190 cm                             | 74.80 in      | ←            | ←                        |  |
|                                   | Blade                     |  | 80 cm                              | 31.50 in      | ←            | ←                        |  |
|                                   | Cultivator                |  | 116 cm                             | 45.67 in      | ←            | ←                        |  |
|                                   | Finishing brush           |  | 195 cm                             | 76.77 in      | ←            | ←                        |  |
| Operating height                  |                           | -                                      |                                    |               | -            |                          |  |
| Drive                             | Traveling                 |  | HST                                |               |              | HST (2WD/3WD selectable) |  |
|                                   | Mowing                    |  | -                                  |               |              | -                        |  |
| Speed (HST)                       | Forward                   | 0 - 16.0 km/h                          | 0 - 9.94 mph                       | 0 - 12.8 km/h | 0 - 7.96 mph |                          |  |
|                                   | Reverse                   | 0 - 6.0 km/h                           | 0 - 3.73 mph                       | 0 - 4.8 km/h  | 0 - 2.98 mph |                          |  |
| Speed (Mechanical)                |                           | -                                      |                                    |               | -            |                          |  |
| Efficiency                        |                           | -                                      |                                    |               | -            |                          |  |
| Maximum inclination for operation |                           | 15 degrees                             |                                    |               | ←            |                          |  |
| Tire size                         | Front wheel               |  | PD21 x 11.00 - 10                  |               |              | ←                        |  |

# Product Overview

|                         |             |                                   |        |   |   |
|-------------------------|-------------|-----------------------------------|--------|---|---|
| Tire size               | Rear wheel  | 25 x 13.00 - 9                    |        | ← |   |
| Tire pneumatic pressure | Front wheel | 70 kPa (0.7 kgf/cm <sup>2</sup> ) | 10 psi | ← | ← |
|                         | Rear wheel  | 40 kPa (0.4 kgf/cm <sup>2</sup> ) | 6 psi  | ← | ← |
| Battery                 |             | 46B19R                            |        | ← |   |
| Engine plug             |             | PLUG, CHAMPION XC92YC             |        | ← |   |

The factory default maximum engine rpm is 3,000 rpm.

## Sound Pressure Level

### Sound Pressure Level

This machine was confirmed to have a continuous A-weighted sound pressure level of 84 dB by measuring identical machines in accordance with the procedure specified in ISO5395-1:2013.

## Sound Power Level

### Sound Power Level

This machine was confirmed to have a sound power level of 98 dB by measuring identical machines in accordance with the procedure specified in ISO5395-1:2013.

## Vibration Level

### Hand-Arm Vibration

This machine was confirmed not to exceed a vibration level of 2.5 m/s<sup>2</sup> to hands and arms by measuring identical machines in accordance with the procedure specified in ISO 5395-1:2013.

### Whole Body Vibration

This machine was confirmed not to exceed a vibration level of 0.5 m/s<sup>2</sup> to the whole body by measuring identical machines in accordance with the procedure specified in ISO 5395-1:2013.

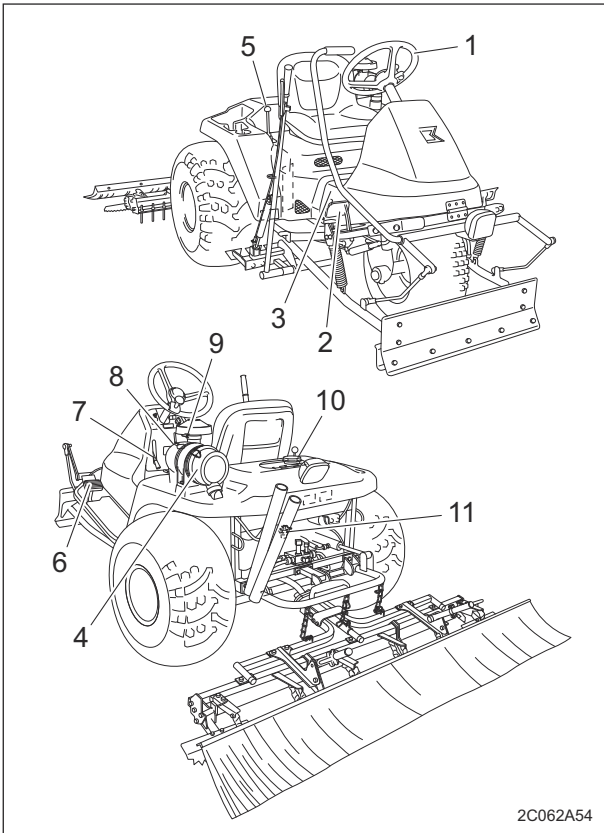
## Carbon Dioxide (CO<sub>2</sub>) Emissions

For the CO<sub>2</sub> value on the engine of this machine, refer to the engine's owner's manual.

# Product Overview

## Names of Each Section

Overall view A

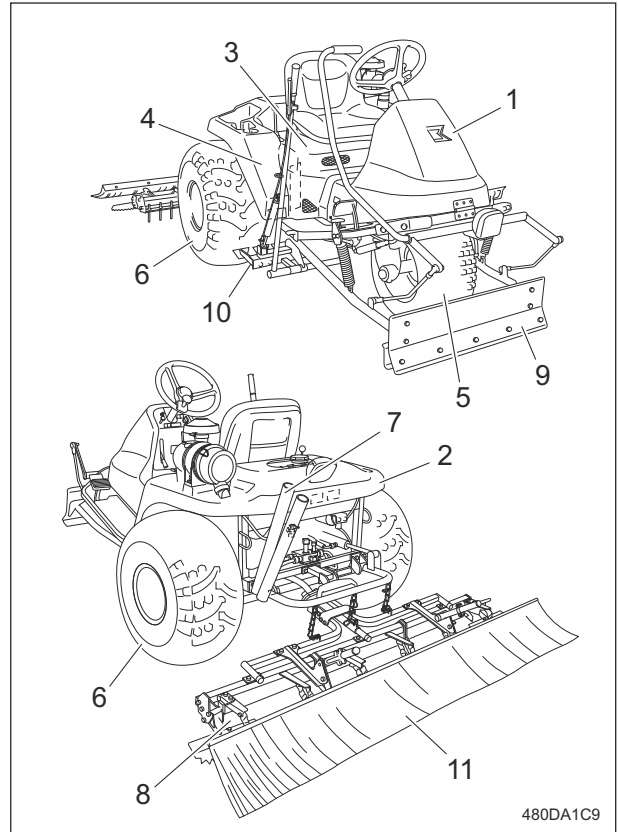


2C062A54

Names of Each Section\_001

|    |   |
|----|---|
| 1  | Steering wheel                              |
| 2  | Traveling pedal                             |
| 3  | Oil gauge                                   |
| 4  | Air cleaner                                 |
| 5  | 2WD/3WD selector lever (3WD specifications) |
| 6  | Brake pedal                                 |
| 7  | Tilt lever                                  |
| 8  | Throttle lever                              |
| 9  | Up/down switch lever                        |
| 10 | Fuel tank                                   |
| 11 | Fuel cock                                   |

Overall view B



480DA1C9

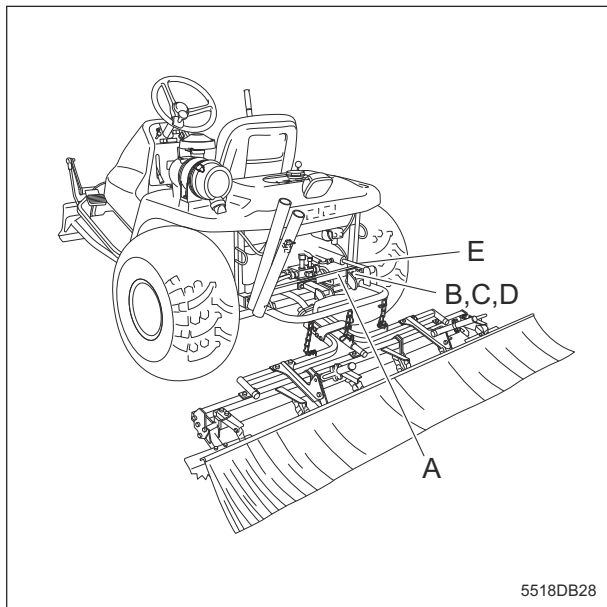
Names of Each Section\_002

|    |                          |
|----|--------------------------|
| 1  | Front cover              |
| 2  | Rear cover               |
| 3  | Engine                   |
| 4  | Battery                  |
| 5  | Front tire               |
| 6  | Rear tire                |
| 7  | Broom holder             |
| 8  | Rake                     |
| 9  | Blade (option)           |
| 10 | Cultivator (option)      |
| 11 | Finishing brush (option) |

## Regulation Decals

### Positions of Regulation Decals

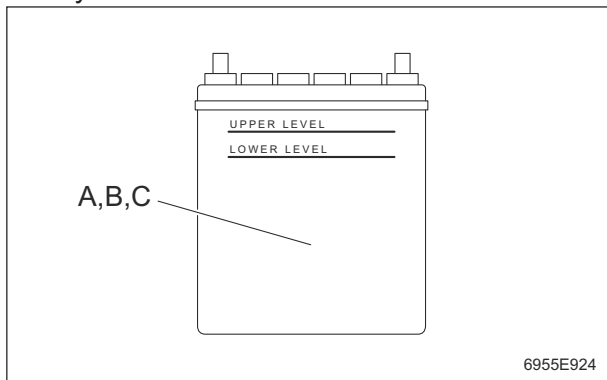
Main vehicle



Positions of Regulation Decals\_001

|   |                            |
|---|----------------------------|
| A | Serial number plate        |
| B | Specification decal        |
| C | CE mark                    |
| D | UKCA mark (#21039 - 21449) |
| E | Year of manufacture decal  |

Battery



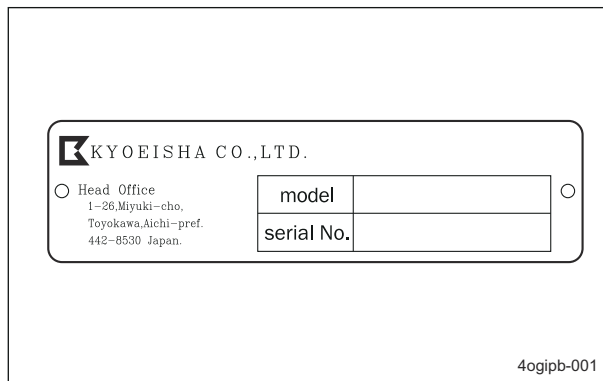
Positions of Regulation Decals\_002

|   |                             |
|---|-----------------------------|
| A | Battery capacity decal      |
| B | EU battery regulation decal |
| C | Recycle decal               |

### Description of Regulation Decals

#### Serial Number Plate

The serial number plate indicates the model and serial number of the machine.

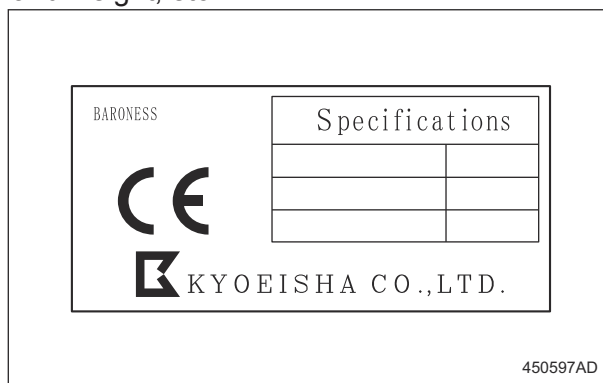


Serial Number Plate\_001

#### Specification Decal

(For EU)

The Specification decal indicates the model and weight, etc.

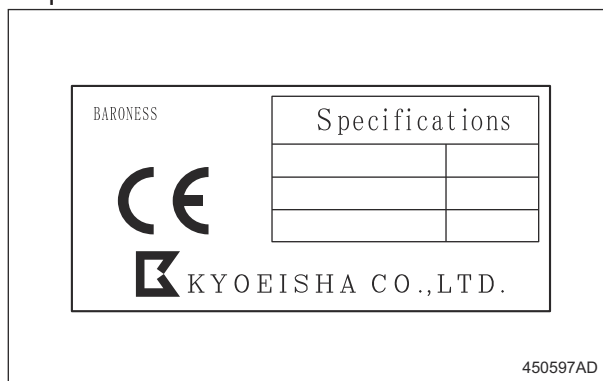


Specification Decal\_001

#### CE Mark

(For EU)

CE mark indicates that the machine sold in the EU nations complies with the EU requirements.



CE Mark\_001

# Product Overview

## UKCA Mark

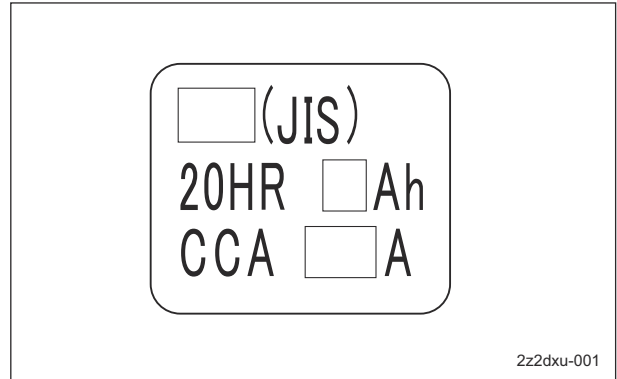
(For UK)  
UKCA mark indicates that the machine sold in the UK complies with the UK requirements.



UKCA Mark\_001

## Battery Capacity Decal

(For EU)  
The battery capacity decal indicates the capacity by 20HR and CCA.



Battery Capacity Decal\_001

## Year of Manufacture Decal

(For EU)  
The year of manufacture decal indicates the year when this machine was manufactured.

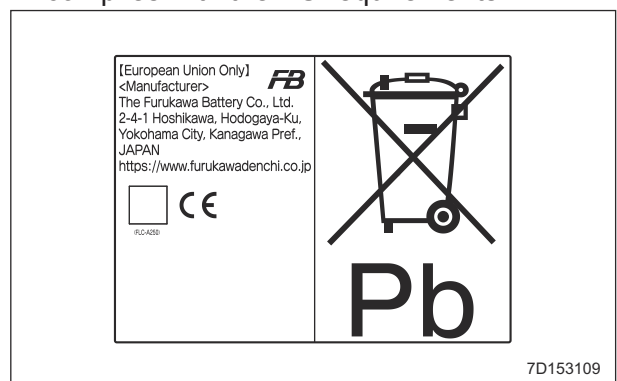


Year of Manufacture Decal\_001

## EU Battery Regulation Decal

(For EU)  
The EU battery regulation decal indicates compliance with the EU battery regulation.

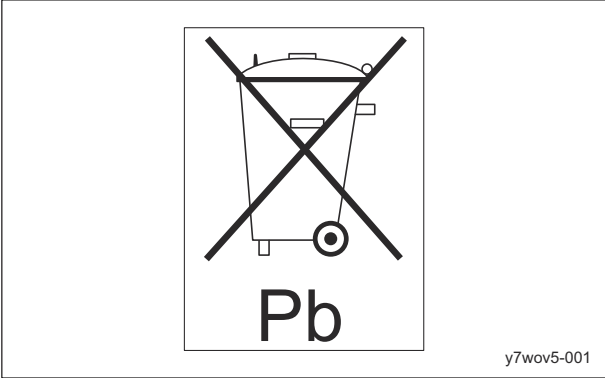
1. The following information about the battery manufacturing company is written in the decal.
  - Company name
  - Address
  - Website URL
2. You can scan the QR code with your smartphone to access the corresponding battery information.
3. CE mark indicates that the battery installed in a machine sold in the EU nations complies with the EU requirements.



EU Battery Regulation Decal\_001

### Recycle Decal

Recycle Decal illustrates Recycle Mark in accordance with local regulation.  
(For EU)



Recycle Decal\_001

(For USA)



Recycle Decal\_002

# Product Overview

## Safety Signs and Instruction Signs

### About Safety Signs and Instruction Signs

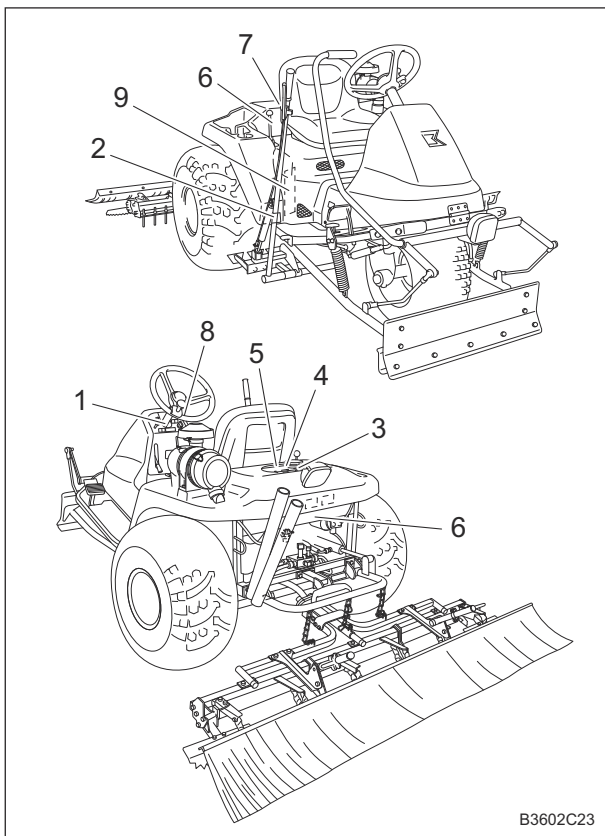
**Important**

Safety decals and instruction decals are attached to this product. Make sure that they are preserved in their entirety. If they are damaged, become dirty, or peel off, replace them with new ones.

Part numbers for decals that need to be replaced are listed in the parts catalog. Order them from a Baroness dealer or Kyoisha.

|   |  |
|---|--|
| 1 | Operation decal                            |
| 2 | Caution to getting pinched decal           |
| 3 | Caution exhaust gas decal                  |
| 4 | Lead-free gasoline decal                   |
| 5 | Fire prohibited decal                      |
| 6 | Caution to getting entangled decal         |
| 7 | Caution for high temperatures decal        |
| 8 | Caution to noise decal                     |
| 9 | Read owner's manual decal (#21001 – 21372) |

### Positions of Safety Decals and Instruction Decals



B3602C23

Positions of Safety Decals and Instruction Decals\_001

# Product Overview

## Description of Safety Decals and Instruction Decals

### Operation Decal

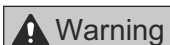
SP05---0560C0  
Sticker, operation

1.



Read the Owner's Operating Manual.

2.



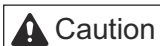
Apply the parking brake, stop the engine, remove the ignition key, and then leave the machine.

3.

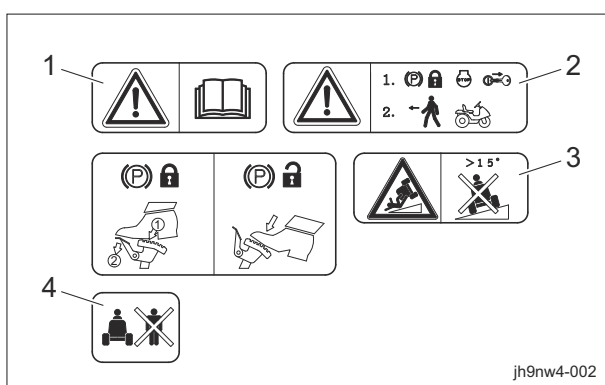


Rollover - Do not work on slopes of 15 degrees or more. When you descend a slope, drive at low speed.

4.



Thrown objects - Be sure that people around the machine keep a safe distance away.

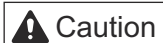


Operation Decal\_001

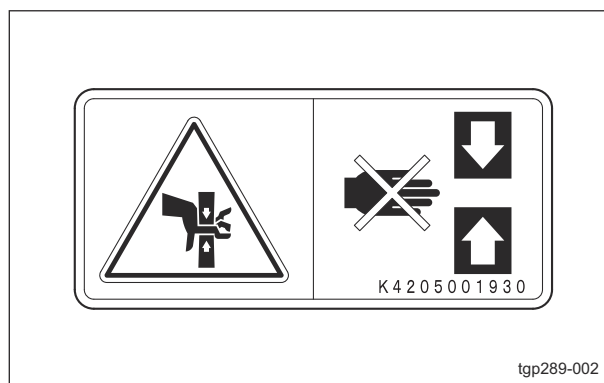
### Caution to Getting Pinched Decal

K4205001930

Decal, caution to getting pinched



May pinch - There is a risk of being pinched.

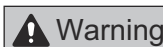


Caution to Getting Pinched Decal\_001

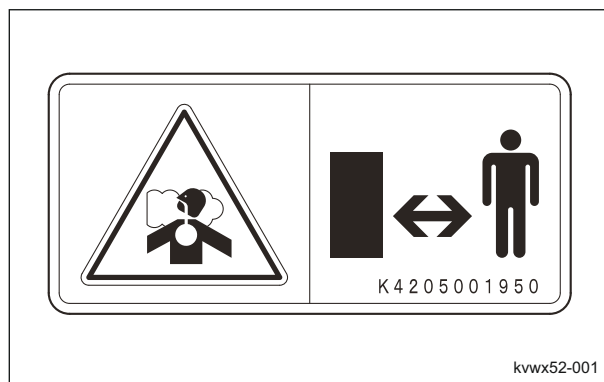
### Caution Exhaust Gas Decal

K4205001950

Decal, caution exhaust gas



Caution for exhaust gas

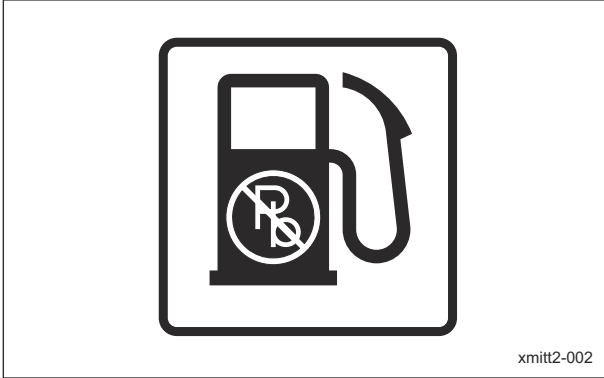


Caution Exhaust Gas Decal\_001

# Product Overview

## Lead-Free Gasoline Decal

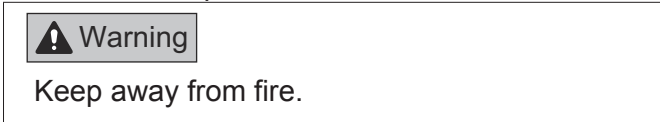
K4209001310  
 Decal, lead-free gasoline  
 Use lead-free gasoline.



Lead-Free Gasoline Decal\_001

## Fire Prohibited Decal

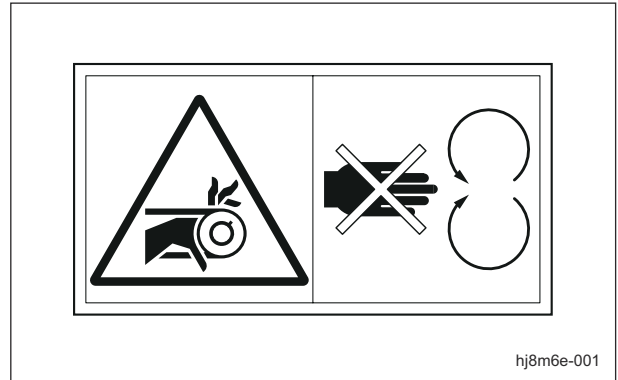
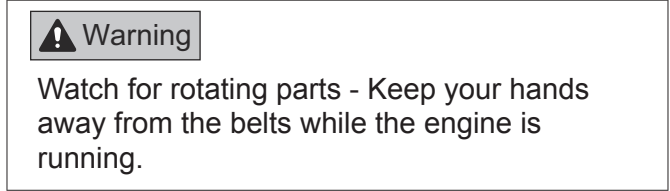
K4205001940  
 Decal, fire prohibited



Fire Prohibited Decal\_001

## Caution to Getting Entangled Decal

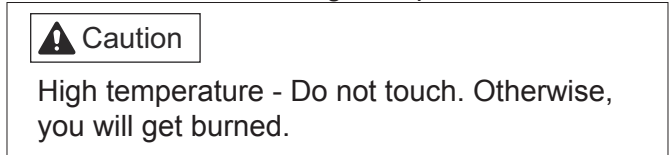
K4205001910  
 Decal, caution to getting entangled



Caution to Getting Entangled Decal\_001

## Caution for High Temperatures Decal

K4205001920  
 Decal, caution for high temperatures



Caution for High Temperatures Decal\_001

### Caution to Noise Decal

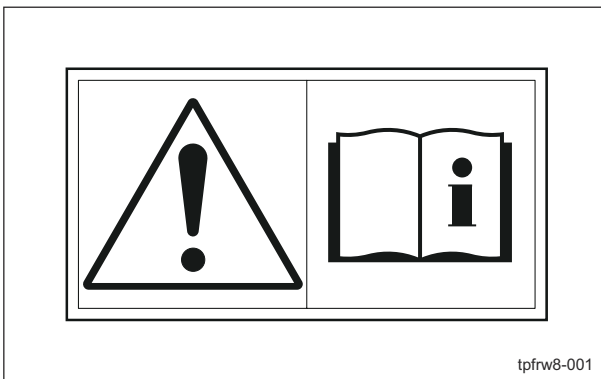
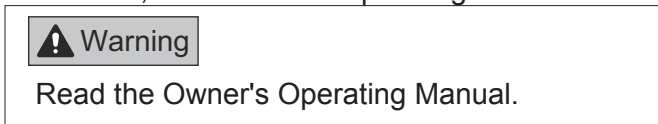
K4205002090  
Decal, caution to noise



Caution to Noise Decal\_001

### Decal on Reading Owner's Operating Manual

K4205001560  
Decal, read Owner's Operating Manual

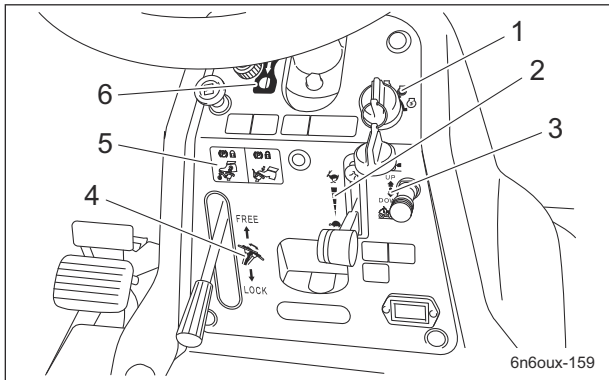


Decal on Reading Owner's Operating Manual\_001

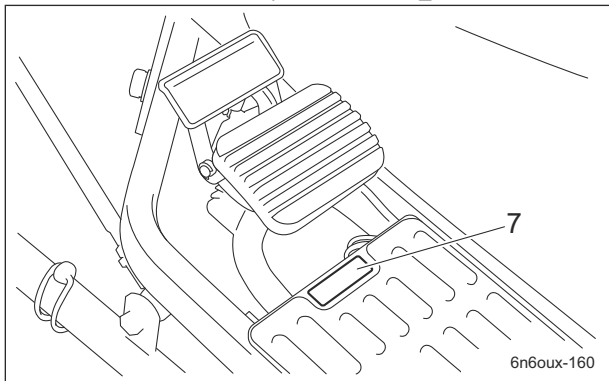
# Product Overview

## Operation Decals

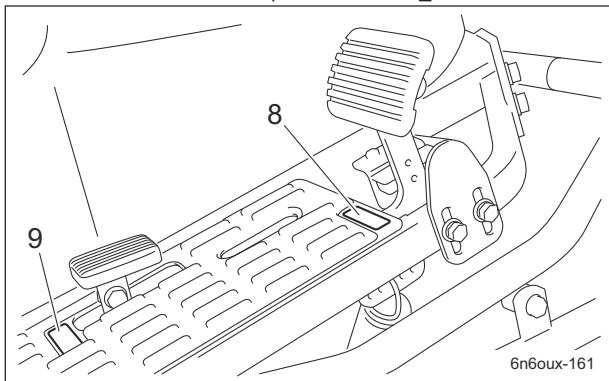
### Positions of Operation Decals



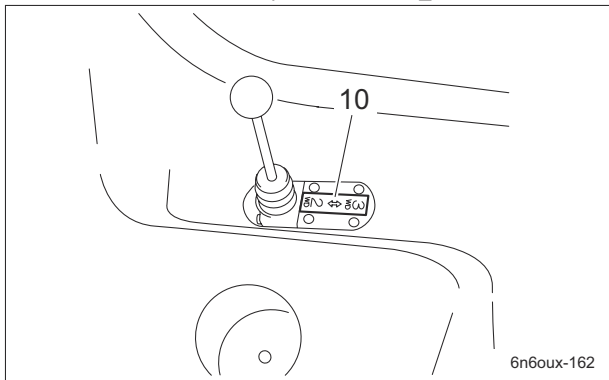
Positions of Operation Decals\_001



Positions of Operation Decals\_002



Positions of Operation Decals\_003



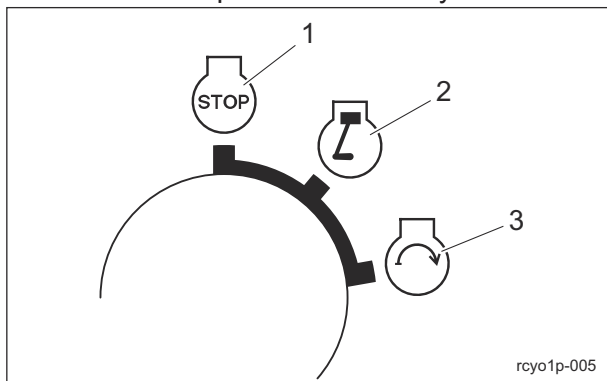
Positions of Operation Decals\_004

|    |                             |
|----|-----------------------------|
| 1  | Key switch mark             |
| 2  | Engine rotation decal       |
| 3  | Rake up/down mark           |
| 4  | Tilt steering mark          |
| 5  | Parking brake mark          |
| 6  | Light switch mark           |
| 7  | BRAKE decal                 |
| 8  | FORWARD decal               |
| 9  | BACKWARD decal              |
| 10 | 2WD/3WD selector lever mark |

## Description of Operation Decals

### Key Switch Mark

Key switch mark  
It illustrates the position of the key switch.

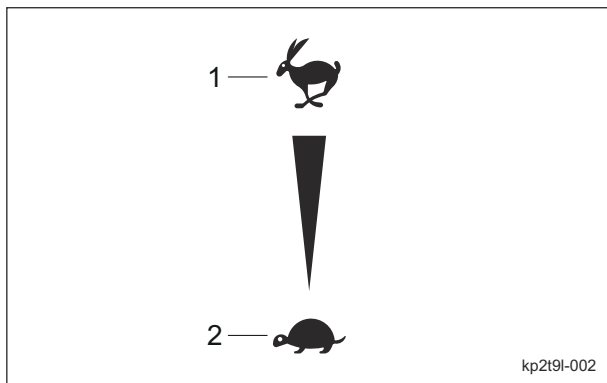


Key Switch Mark\_001

|   |       |
|---|-------|
| 1 | OFF   |
| 2 | ON    |
| 3 | START |

### Engine Rotation Decal

Engine rotation decal  
This indicates high/low speed of the engine rotation.

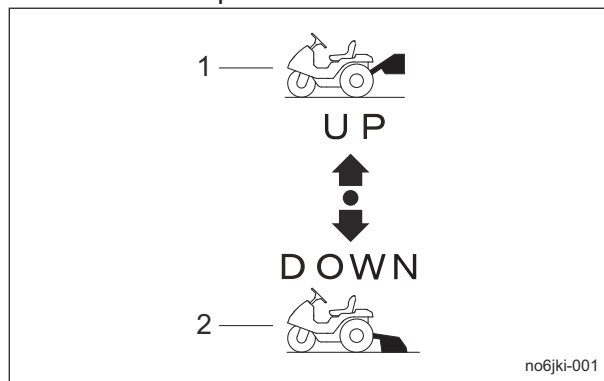


Engine Rotation Decal\_001

|   |            |
|---|------------|
| 1 | High speed |
| 2 | Low speed  |

### Rake Up/Down Mark

Rake up/down mark  
This indicates up/down of the rake.

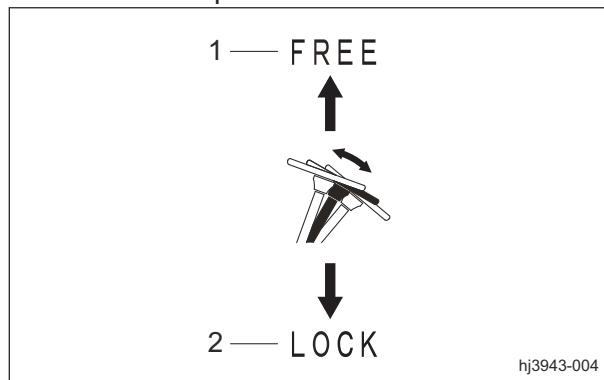


Rake Up/Down Mark\_001

|   |      |
|---|------|
| 1 | UP   |
| 2 | DOWN |

### Tilt Steering Mark

Tilt steering mark  
This indicates the direction of tilt steering and lock/free of the position.



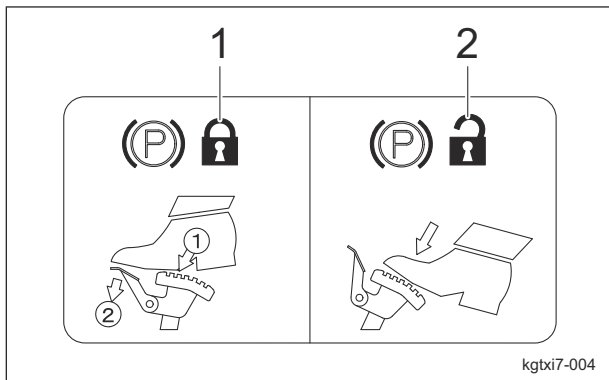
Tilt Steering Mark\_001

|   |      |
|---|------|
| 1 | FREE |
| 2 | LOCK |

# Product Overview

## Parking Brake Mark

Parking brake mark  
This indicates lock/release of the parking brake.



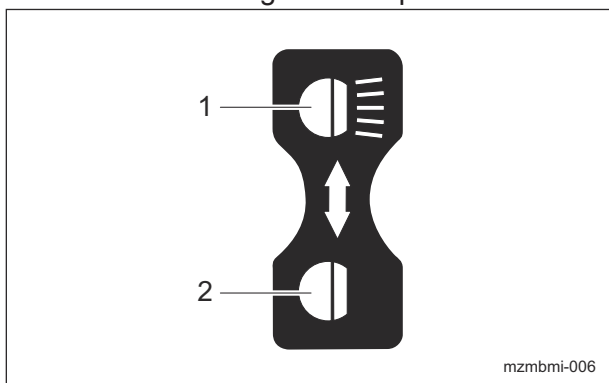
Parking Brake Mark\_001

|   |         |
|---|---------|
| 1 | Lock    |
| 2 | Release |

## Light Switch Mark

Note:  
Depending on the specifications, this function may not be available.

K4203001410  
STICKER, LIGHT SWITCH  
This indicates the light switch positions.



Light Switch Mark\_001

|   |     |
|---|-----|
| 1 | ON  |
| 2 | OFF |

## BRAKE Decal

K4203001450  
Decal, BRAKE  
This indicates brake.



BRAKE Decal\_001

## FORWARD Decal

K4203001430  
Decal, FORWARD  
This indicates forward travel.



FORWARD Decal\_001

## BACKWARD Decal

K4203001440  
Decal, BACKWARD  
This indicates backward travel.



BACKWARD Decal\_001

## 2WD/3WD Selector Lever Mark

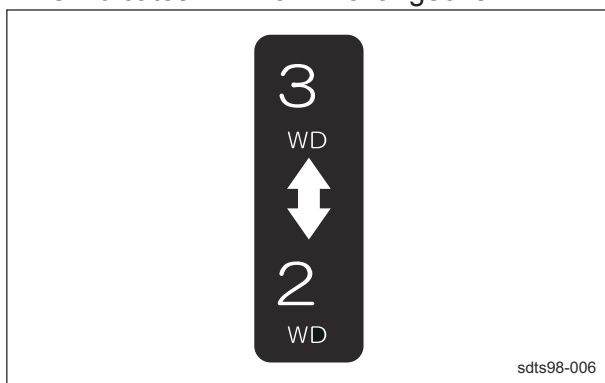
## Note:

Depending on the specifications, this function may not be available.

K4203001380

2WD - 3WD shift lever sticker

This indicates 2WD/3WD changeover.



2WD/3WD Selector Lever Mark\_001

# Product Overview

---

# Description of Functions

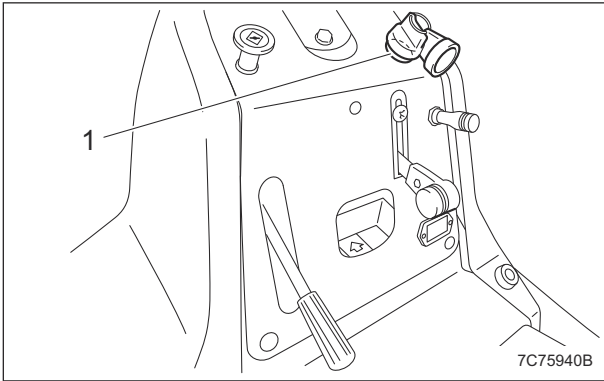
---

|                                     |                 |
|-------------------------------------|-----------------|
| <b>Key Switch</b> .....             | <b>Page 4-2</b> |
| <b>Throttle Lever</b> .....         | <b>Page 4-2</b> |
| <b>Choke Lever</b> .....            | <b>Page 4-2</b> |
| <b>Up/Down Switch Lever</b> .....   | <b>Page 4-3</b> |
| <b>2WD/3WD Selector Lever</b> ..... | <b>Page 4-3</b> |
| <b>Light Switch</b> .....           | <b>Page 4-3</b> |
| <b>Traveling Pedal</b> .....        | <b>Page 4-4</b> |
| <b>Brake Pedal</b> .....            | <b>Page 4-4</b> |
| <b>Broom Holder</b> .....           | <b>Page 4-4</b> |
| <b>Cargo Box</b> .....              | <b>Page 4-5</b> |
| <b>Instruments on The Operation</b> |                 |
| <b>Panel</b> .....                  | <b>Page 4-5</b> |
| Hour Meter .....                    | Page 4-5        |
| <b>Safety Device</b> .....          | <b>Page 4-6</b> |
| Interlock System .....              | Page 4-6        |
| <b>Warning Mechanisms</b> .....     | <b>Page 4-6</b> |
| Warning Buzzer .....                | Page 4-6        |

# Description of Functions

## Key Switch

The key switch is a lock for inserting the ignition key. This is used to start, run and stop the engine by turning the ignition key to change the key switch position.

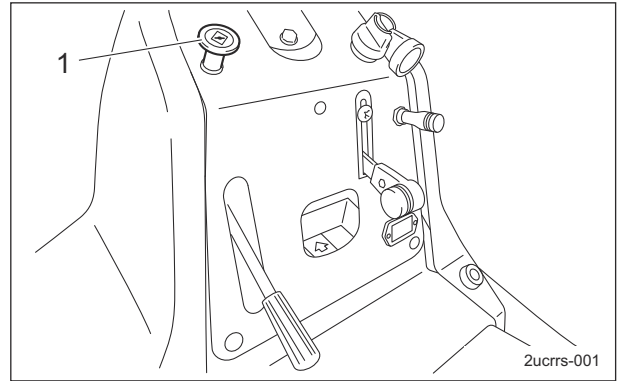


Key Switch\_001

|   |            |
|---|------------|
| 1 | Key switch |
|---|------------|

## Choke Lever

The choke lever is located on the left side below the steering wheel and its knob is to be pulled when starting the engine. Pull the knob half way for restarting, as necessary.

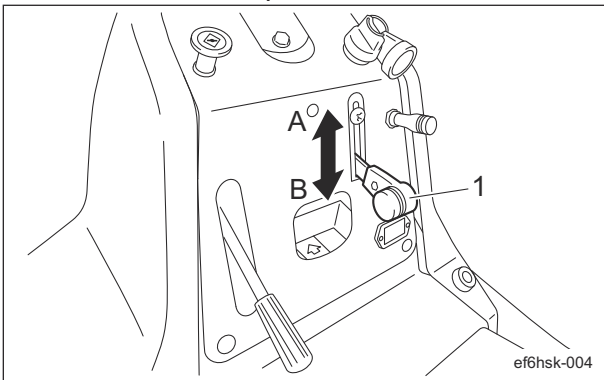


Choke Lever\_001

|   |             |
|---|-------------|
| 1 | Choke lever |
|---|-------------|

## Throttle Lever

The throttle lever is located on the right side below the steering wheel and enables you to adjust the engine rpm. Move the throttle lever toward "High speed" to increase the engine rpm, and toward "Low speed" to reduce the rpm.



Throttle Lever\_001

|   |                |
|---|----------------|
| 1 | Throttle lever |
| A | High speed     |
| B | Low speed      |

# Description of Functions

## Up/Down Switch Lever

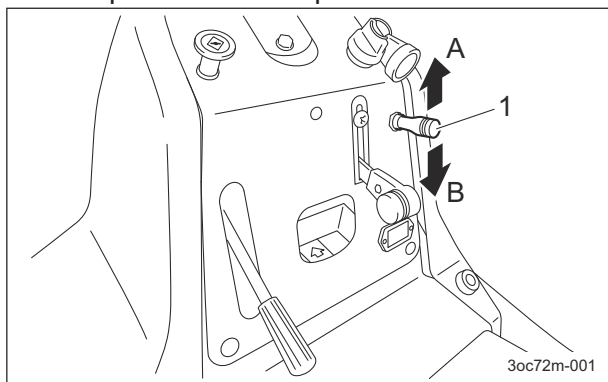
**Important**

If the engine rpm is low, the rake will not be raised and lowered due to insufficient hydraulic oil.

Move the throttle lever above the middle position toward "High speed".

The up/down switch lever is on the right side below the steering wheel and is used to operate the rake.

- Shift the up/down switch lever to the "UP" position to raise the rake. When the lever is released, it returns to the neutral position and stops there.
- Shift the up/down switch lever to the "DOWN" position to lower the rake. When the lever is released, it returns to the neutral position and stops there.



Up/Down Switch Lever\_001

|   |                      |
|---|----------------------|
| 1 | Up/down switch lever |
| A | UP                   |
| B | DOWN                 |

## 2WD/3WD Selector Lever

Note:  
Depending on the specifications, this function may not be available.

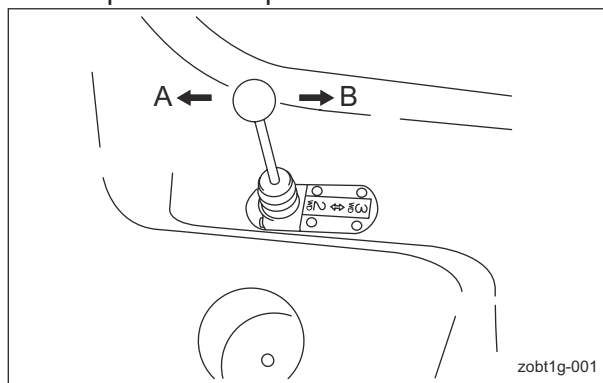
**Important**

When switching between 2WD and 3WD operation, make sure to stop the machine completely.

The 2WD/3WD selector lever is on the right side of the driver's seat and is used to switch the traveling and operation mode.

- Shift the 2WD/3WD selector lever to the "2WD" position to operate in rear-wheel 2WD.

- Shift the 2WD/3WD selector lever to the "3WD" position to operate in all-wheel 3WD.



2WD/3WD Selector Lever\_001

|   |     |
|---|-----|
| A | 2WD |
| B | 3WD |

- \* Use of 2WD or 3WD
- Use 2WD when working with the blade and high-speed traveling (maximum 16 km/h) is possible.
- Use 3WD when working on steeply sloped or soft bunkers or bunkers with a small diameter.

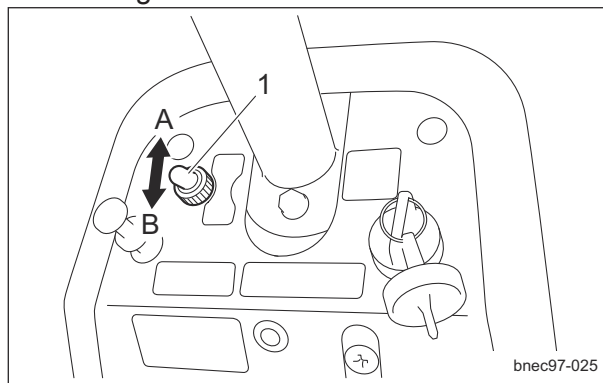
## Light Switch

Note:  
Depending on the specifications, this function may not be available.

**Caution**

The lights provide auxiliary lighting. Do not travel or operate the machine at night or under poor visibility.

The light switch is located in the operation panel. Flip the switch up to turn the light on, and down to turn the light off.



Light Switch\_001

# Description of Functions

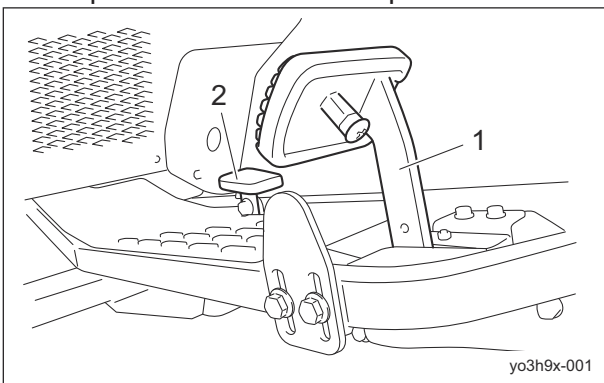
|   |              |
|---|--------------|
| 1 | Light switch |
| A | ON           |
| B | OFF          |

## Traveling Pedal

The traveling pedal is located in the right foot area.

When depressed "Forward", the machine travels forward. When depressed "Backward", the machine travels in reverse.

If the pedal is secured with the speed adjustment plate during operation, the machine can be operated at a constant speed.



Traveling Pedal\_001

|   |          |
|---|----------|
| 1 | Forward  |
| 2 | Backward |

## Brake Pedal

**⚠ Caution**

When leaving the driver's seat, park the machine on a stable, flat surface and be sure to apply the parking brake.

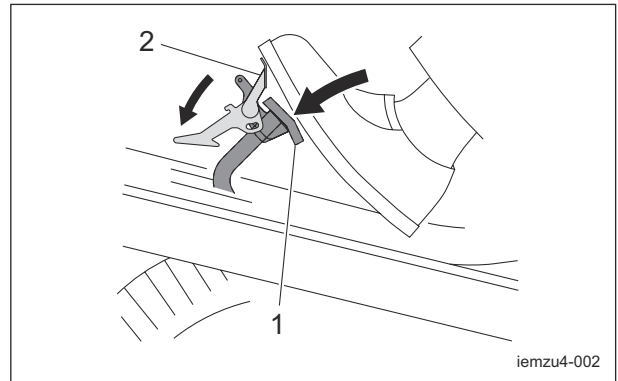
**⚠ Caution**

Do not park on a slope.

The brake pedal is located in the left foot area. To stop the machine, depress the brake pedal all the way firmly.

When parking, firmly depress the brake pedal and lock it with the lock fitting.

To release it, firmly depress the brake pedal and release the lock fitting.

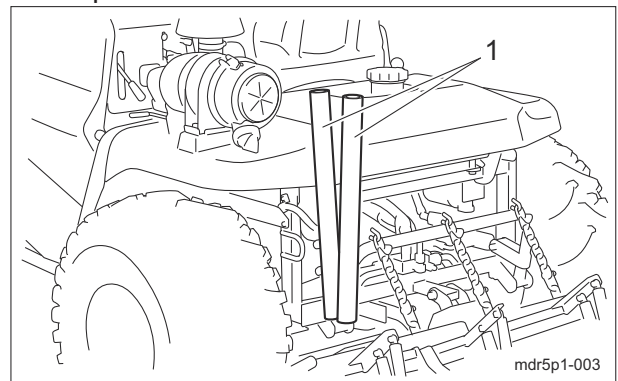


Brake Pedal\_001

|   |              |
|---|--------------|
| 1 | Brake pedal  |
| 2 | Lock fitting |

## Broom Holder

Broom and rake can be stored in these holders for transport.



Broom Holder\_001

|   |              |
|---|--------------|
| 1 | Broom Holder |
|---|--------------|

# Description of Functions

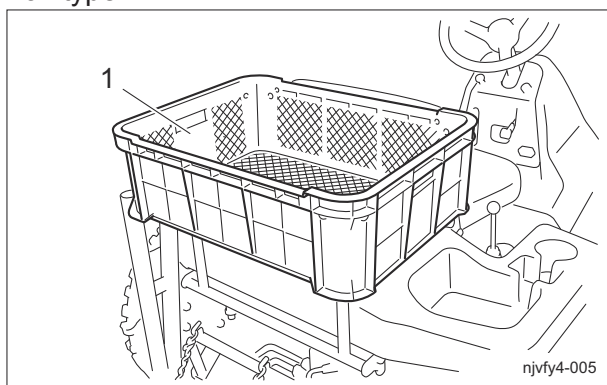
## Cargo Box

Note:  
Depending on the specifications, this function may not be available.

**Important**

The maximum loading weight is 15 kg (33.07 lb).

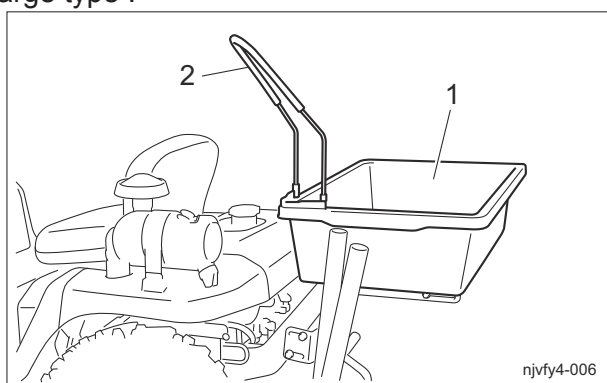
Cargo Box is a container to transport equipments such as a back pack blower which may be used together during cutting work. There are two types of cargo boxes. Small type :



Cargo Box\_001

|   |           |
|---|-----------|
| 1 | Cargo box |
|---|-----------|

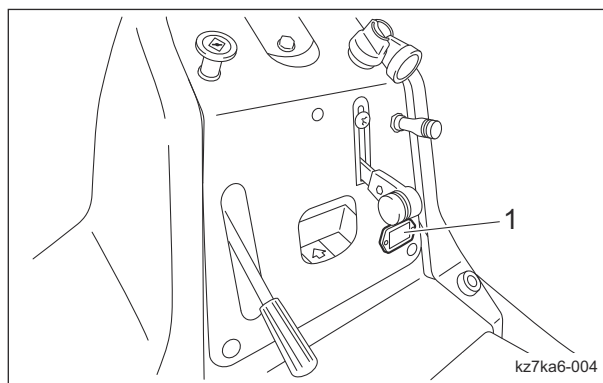
Large type :



Cargo Box\_002

|   |                      |
|---|----------------------|
| 1 | Cargo box            |
| 2 | Blower nozzle holder |

## Instruments on The Operation Panel



Instruments on The Operation Panel\_001

|   |            |
|---|------------|
| 1 | Hour meter |
|---|------------|

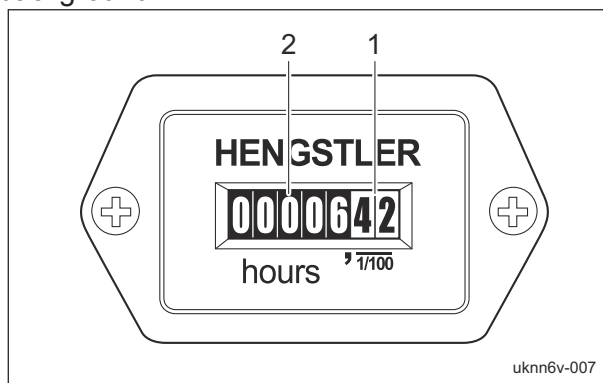
### Hour Meter

The hour meter indicates the accumulated operation time of the engine.

The number in red figures on a white background is incremented every thirty-six seconds.

The number in white figures on a black background is incremented every hour. 1/100 wheel ... red figures on a white background

Hour wheel ... white figures on a black background



Hour Meter\_001

|   |             |
|---|-------------|
| 1 | 1/100 wheel |
| 2 | Hour wheel  |

# Description of Functions

---

## Safety Device

### Interlock System

This machine features an interlock system for starting and stopping the engine.

1. As for starting the engine, the safety device prevents the engine from starting unless it meets each of the following three conditions.
  - An operator is sitting on the seat.
  - The parking brake is applied.
  - The traveling pedal is set to the neutral position.
2. In the event the operator leaves the seat with the parking brake not applied and the engine running, the safety device will be activated and will stop the engine.
3. In the event the operator leaves the seat with the parking brake applied and the engine running, the safety device will be activated and will stop the engine under the following condition.
  - The traveling pedal is not set to the neutral position. (The operator has depressed the traveling pedal.)

## Warning Mechanisms

### Warning Buzzer

1. Warning buzzer against operation with the brake applied  
If the traveling pedal is depressed while the parking brake is applied, a buzzer will sound. (intermittent tone)  
Release the parking brake when the warning buzzer sounds.

# Handling Instructions

|  |                  |                                 |                  |
|--|------------------|---------------------------------|------------------|
| <b>Operations Before Service</b> .....         | <b>Page 5-2</b>  | <b>Move</b> .....               | <b>Page 5-16</b> |
| Procedure to Open/Close Front<br>Cover .....   | Page 5-2         | Traveling Procedure .....       | Page 5-16        |
| Procedure to Open/Close Rear<br>Cover .....    | Page 5-2         | <b>Operations</b> .....         | <b>Page 5-16</b> |
| <b>Inspection and Cleaning</b> .....           | <b>Page 5-3</b>  | Rake Operation .....            | Page 5-16        |
| Rake .....                                     | Page 5-3         | Blade Operation .....           | Page 5-17        |
| Blade .....                                    | Page 5-3         | Cultivator Operation .....      | Page 5-18        |
| Cultivator .....                               | Page 5-4         | Finishing Brush Operation ..... | Page 5-19        |
| Finishing Brush .....                          | Page 5-4         | <b>Transporting</b> .....       | <b>Page 5-19</b> |
| Cover .....                                    | Page 5-4         | Transporting Procedure .....    | Page 5-19        |
| Oil Cooler .....                               | Page 5-4         |                                 |                  |
| Hydraulic Oil .....                            | Page 5-5         |                                 |                  |
| Hydraulic Hoses .....                          | Page 5-6         |                                 |                  |
| Air Cleaner .....                              | Page 5-7         |                                 |                  |
| Battery .....                                  | Page 5-7         |                                 |                  |
| Electrical Wiring .....                        | Page 5-9         |                                 |                  |
| Tire .....                                     | Page 5-9         |                                 |                  |
| Brake .....                                    | Page 5-10        |                                 |                  |
| Belt .....                                     | Page 5-10        |                                 |                  |
| Wire .....                                     | Page 5-10        |                                 |                  |
| Steering Wheel .....                           | Page 5-10        |                                 |                  |
| Safety Device .....                            | Page 5-10        |                                 |                  |
| Around The Engine .....                        | Page 5-10        |                                 |                  |
| Engine Oil .....                               | Page 5-11        |                                 |                  |
| Fuel .....                                     | Page 5-12        |                                 |                  |
| Fuel Filter .....                              | Page 5-13        |                                 |                  |
| Fuel Strainer .....                            | Page 5-13        |                                 |                  |
| Liquid Leakage .....                           | Page 5-14        |                                 |                  |
| Bolts and Nuts .....                           | Page 5-14        |                                 |                  |
| <b>Adjustment before Work</b> .....            | <b>Page 5-14</b> |                                 |                  |
| Adjustment of Steering Wheel<br>Position ..... | Page 5-14        |                                 |                  |
| Adjustment of Seat Position .....              | Page 5-15        |                                 |                  |
| <b>Start/Stop of Engine</b> .....              | <b>Page 5-15</b> |                                 |                  |
| Procedure to Start Engine .....                | Page 5-15        |                                 |                  |
| Procedure to Stop Engine .....                 | Page 5-15        |                                 |                  |
| <b>Parking and Stopping</b> .....              | <b>Page 5-16</b> |                                 |                  |
| Procedure to Leave The Machine .....           | Page 5-16        |                                 |                  |

# Handling Instructions

## Operations Before Service

The following sections describe the preparatory works required before performing the services including inspection, adjustment, cleaning, maintenance and repair.

### Procedure to Open/Close Front Cover

**Caution**

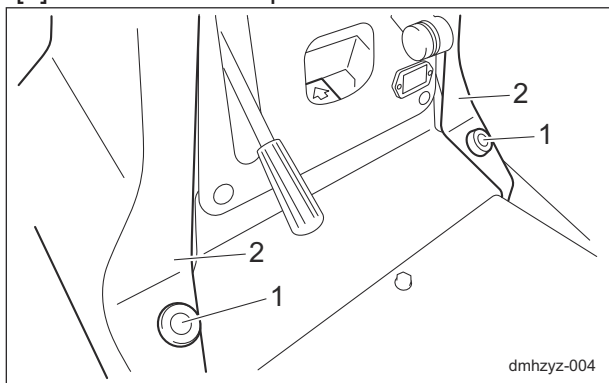
Do not open the cover in strong winds.

**Caution**

When closing the cover, be careful not to pinch your hands.

#### 1. Procedure to open the front cover

[1] Remove the dimple knobs.

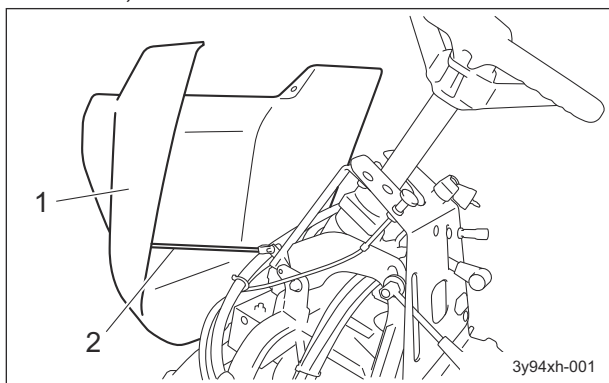


Procedure to Open/Close Front Cover\_001

|   |              |
|---|--------------|
| 1 | Dimple knobs |
| 2 | Front cover  |

[2] Open the front cover, and then tilt it forward until the wire is fully extended.

[3] Make sure that the front cover will not close, and then release it.



Procedure to Open/Close Front Cover\_002

|   |             |
|---|-------------|
| 1 | Front cover |
| 2 | Wire        |

#### 2. Procedure to close the front cover

[1] Close the front cover slowly.

[2] Install the dimple knobs.

### Procedure to Open/Close Rear Cover

**Warning**

Stop the engine when performing recommended maintenance operations that do not require the engine to start when the rear cover is opened. When performing maintenance with the engine started, stay away from moving parts.

**Caution**

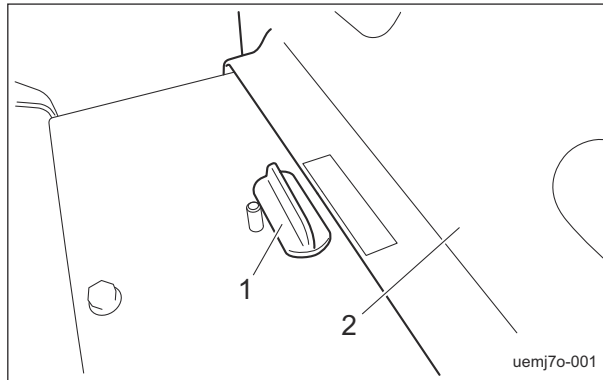
Do not open the cover in strong winds.

**Caution**

When closing the cover, be careful not to pinch your hands.

#### 1. Procedure to open the rear cover

[1] Release the cover fastener.



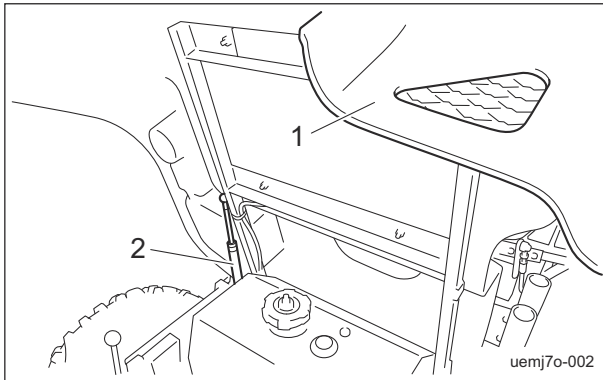
Procedure to Open/Close Rear Cover\_001

|   |                           |
|---|---------------------------|
| 1 | Cover fastener (released) |
| 2 | Rear cover                |

[2] Open the rear cover, and then lift it until the gas spring is fully extended.

# Handling Instructions

[3] Make sure that the rear cover will not close, and then release it.



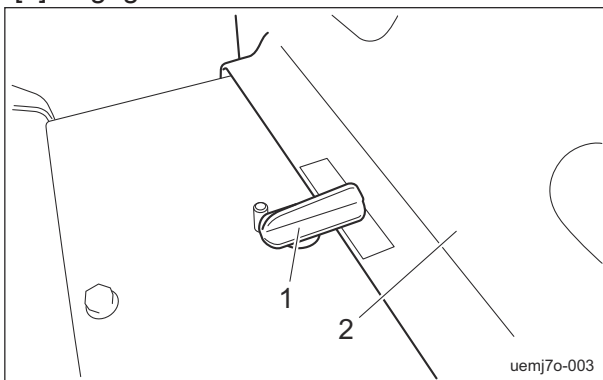
Procedure to Open/Close Rear Cover\_002

|   |            |
|---|------------|
| 1 | Rear cover |
| 2 | Gas spring |

## 2. Procedure to close the rear cover

[1] Slowly lower the rear cover while firmly supporting it.

[2] Engage the cover fastener.



Procedure to Open/Close Rear Cover\_003

|   |                          |
|---|--------------------------|
| 1 | Cover fastener (engaged) |
| 2 | Rear cover               |

## Inspection and Cleaning

Inspect and clean the machine with the goals of the followings.

- Accident prevention
- Failure prevention
- Performance retention

Make efforts for early detection of the machine failure and prevention of the sudden occurrence of trouble.

Perform maintenance and repair works immediately if any abnormality is found in the machine.

## Rake

### Inspection of Rake

**Caution**

Wear gloves when touching a fork prong bar.

1. Make sure that the rake pipe is not bent.
2. Make sure that the cross-link chain is not twisted or worn.
3. Make sure that the rake shaft is not worn.
4. Make sure that the center shaft of the fulcrum swing fitting is not worn.
5. Make sure that a spring pin is not missing from the rake shaft.
6. Make sure that a hardened flat-head pin on the rake hanging arm is not worn.
7. Make sure that the plate springs are not cracked or bent.
8. Make sure that a spring pin is not missing from the rake fulcrum fitting.
9. Make sure that the rake mounting bracket is not bent.
10. Make sure that the smoother plate is not bent, cracked or unevenly worn.
11. Make sure that the warp board is not bent, cracked or worn.
12. Make sure that the fork prong bar is not bent or worn.

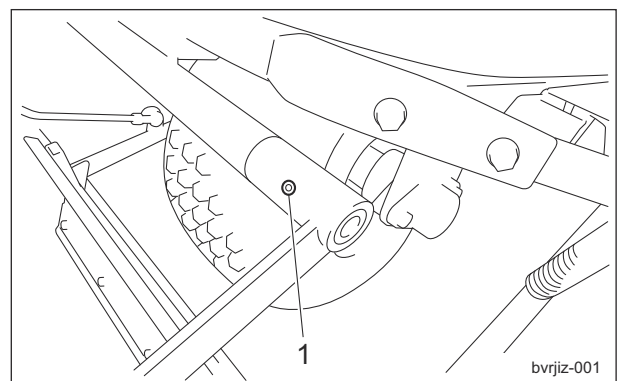
## Blade

### Inspection of Blade

Note:

Depending on the specifications, this function may not be available.

1. Make sure that the spring pin is not missing from the lever arm.

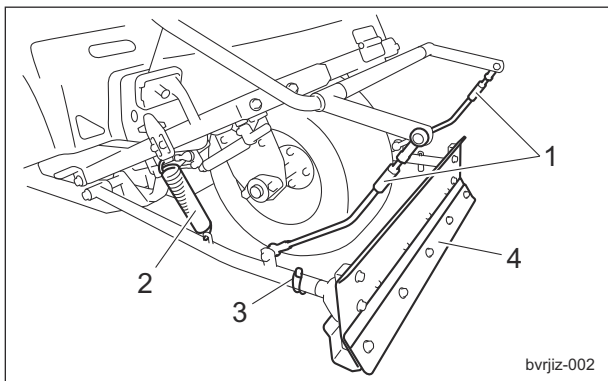


Inspection of Blade\_001

# Handling Instructions

|   |            |
|---|------------|
| 1 | Spring pin |
|---|------------|

2. Make sure that the connecting shaft is not bent.
3. Make sure that the hook spring is not bent or stretched.
4. Make sure that a delta pin is not missing.
5. Make sure that the small blade is not bent, cracked or worn.



Inspection of Blade\_002

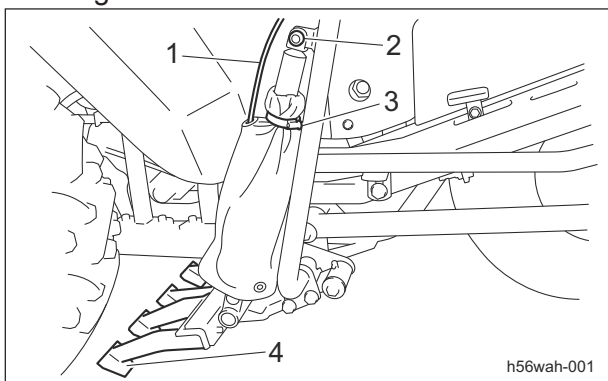
|   |                  |
|---|------------------|
| 1 | Connecting shaft |
| 2 | Hook spring      |
| 3 | Delta pin        |
| 4 | Small blade      |

## Cultivator

### Inspection of Cultivator

Note:  
Depending on the specifications, this function may not be available.

1. Make sure that the cultivator wire is not broken.
2. Make sure that the free lock pin is not missing.
3. Make sure that the parker clamp is not loose.
4. Make sure that the trapezoidal cultivator fitting is not worn.



Inspection of Cultivator\_001

|   |                                |
|---|--------------------------------|
| 1 | Cultivator wire                |
| 2 | Free lock pin                  |
| 3 | Parker clamp                   |
| 4 | Trapezoidal cultivator fitting |

## Finishing Brush

### Inspection of Finishing Brush

Note:  
Depending on the specifications, this function may not be available.

1. Make sure that the brush mounting frame is not bent.
2. Make sure that the brush is not bent or excessively worn.

## Cover

### Inspection of Covers



If you have removed a protective cover during inspection, be sure to securely install it in its original position.  
If a protective cover remains removed, foreign objects may fly off, possibly resulting in injuries.

1. Make sure that there is no wear or deterioration of protective covers.
2. Make sure that there is no damage to protective covers.
3. Make sure that there is no interference with moving parts due to deformation of protective covers.
4. Make sure that protective covers are installed in their appropriate positions.

## Oil Cooler

### Inspection of Oil Cooler for Hydraulic Oil

1. Make sure that there is no damage to the oil cooler.
2. Make sure that the oil cooler is not contaminated.

# Handling Instructions

## Cleaning of Oil Cooler

**Important**

An unclean oil cooler may cause malfunction of the hydraulic system.

**Important**

Do not use solid objects, such as a spatula or screwdriver, or high-pressure water to clean the radiator or oil cooler. Otherwise, special fins or tubes may be damaged, possibly resulting in reduced cooling performance or hydraulic oil leakage.

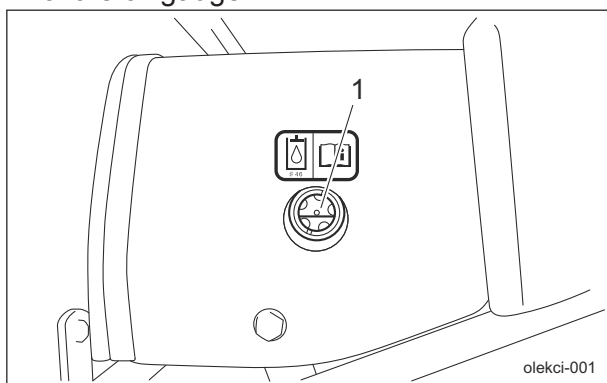
If the oil cooler has been contaminated with dust, be sure to clean it. After operating the machine in a dusty environment, it is important to remove dust as soon as possible.

1. Open the rear cover.
2. Carefully clean the front and back of the oil cooler with water or compressed air.

## Hydraulic Oil

### Inspection of Hydraulic Oil

1. Lower the rake and maintain that position on a level surface.
2. Make sure that the oil level is at the middle of the oil gauge.



Inspection of Hydraulic Oil\_001

1 Oil gauge

3. Check underneath the machine for oil leakage.

## Hydraulic Oil Supply

**Important**

Do not mix different types of oil.

**Important**

Use Shell Tellus S2V32 (or equivalent) as hydraulic oil. In the case of using an equivalent, consult Characteristics of Hydraulic Oil and use hydraulic oil whose characteristics are superior to those of the specific hydraulic oil. Especially regarding kinematic viscosity and viscosity index, use of hydraulic oil whose figures are less than those of the specified hydraulic oil will cause a malfunction in the hydraulic circuit.

**Important**

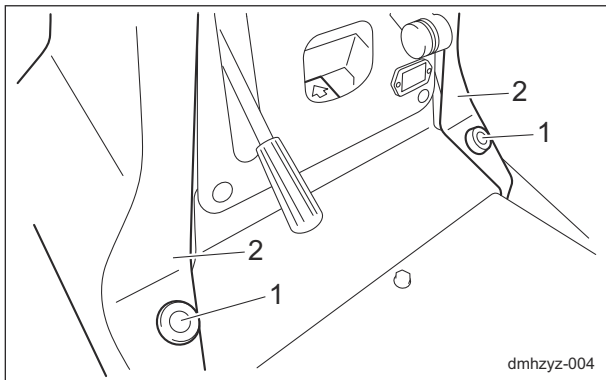
Supply hydraulic oil after checking the oil in the hydraulic tank has been sufficiently cooled down. Oil level changes depending on the hydraulic oil temperature.

### Note: Characteristics of Hydraulic Oil

|                         |                 |   |
|-------------------------|-----------------|---|
| Specified Hydraulic Oil |                 | Shell Tellus S2V32                                      |
| ISO Viscosity Grade     |                 | ISO VG32  |
| Density                 | 15 °C (59 °F)   | 0.869 g/cm <sup>3</sup><br>(0.0313 lb/in <sup>3</sup> ) |
| API Gravity             |                 | 31.3  |
| Flash Point (Open Cup)  |                 | 202 °C (396 °F)   |
| Pour Point              |                 | -40 °C (-40 °F)   |
| Kinematic Viscosity     | 40 °C (104 °F)  | 32 mm <sup>2</sup> /s (32 cSt)                          |
|                         | 100 °C (212 °F) | 6.1 mm <sup>2</sup> /s (6.1 cSt)                        |
| Viscosity Index         |                 | 141   |

# Handling Instructions

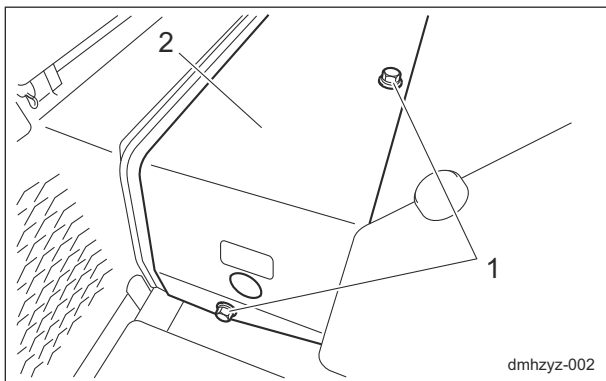
1. Remove the dimple knobs, and then open the front cover.



Hydraulic Oil Supply\_001

|   |              |
|---|--------------|
| 1 | Dimple knobs |
| 2 | Front cover  |

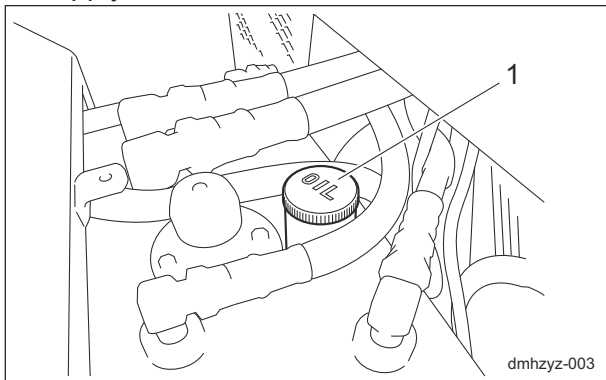
2. Remove the bolts, and then remove the cover.



Hydraulic Oil Supply\_002

|   |       |
|---|-------|
| 1 | Bolt  |
| 2 | Cover |

3. If the oil level is low, open the tank cap and supply oil.



Hydraulic Oil Supply\_003

|   |          |
|---|----------|
| 1 | Tank cap |
|---|----------|

4. Start the engine, raise and lower the rake, and repeatedly move forward and backward several times with the rake raised.

5. Lower the rake and maintain that position on a level surface, and then check to see if the oil level is at the middle of the oil gauge. If necessary, supply oil.
6. Check underneath the machine for oil leakage.
7. Install the cover.
8. Close the front cover.

## Hydraulic Hoses

### Inspection of Hydraulic Hoses and Pipes

#### **Warning**

When checking the hydraulic circuit for pinhole leaks or oil leakage from nozzles, do not use your hands. Use items such as paper or corrugated cardboard to find leakage points.

Be extremely careful with high-pressure oil as it may pierce your skin, resulting in personal accidents.

If fluid is injected into the skin it must be surgically removed within a few hours by a doctor familiar with this form of injury or gangrene may result.

1. Make sure that there is no wear, deterioration or damage in the hydraulic hoses and pipes.
2. Make sure that there is no looseness in the connecting portion of the hydraulic hoses and pipes.
3. Check underneath the machine for hydraulic oil leakage.

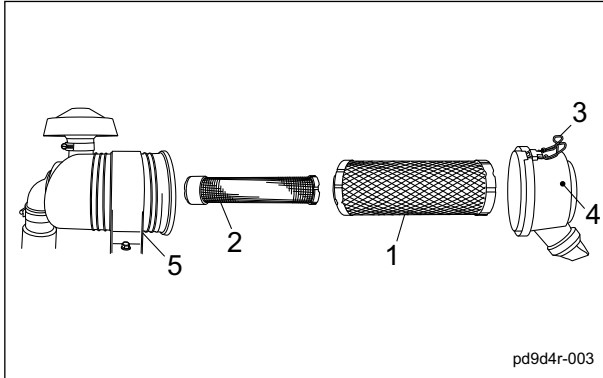
# Handling Instructions

## Air Cleaner

### Inspection of Air Cleaner

Clean or replace the air cleaner element as necessary.

1. Make sure that the outer element is neither damaged nor dirty.
2. Make sure that the inner element is neither damaged nor dirty.



Inspection of Air Cleaner\_001

|   |                  |
|---|------------------|
| 1 | Outer element    |
| 2 | Inner element    |
| 3 | Clip             |
| 4 | Cover            |
| 5 | Air cleaner body |

### Cleaning of Air Cleaner Element

**Important**

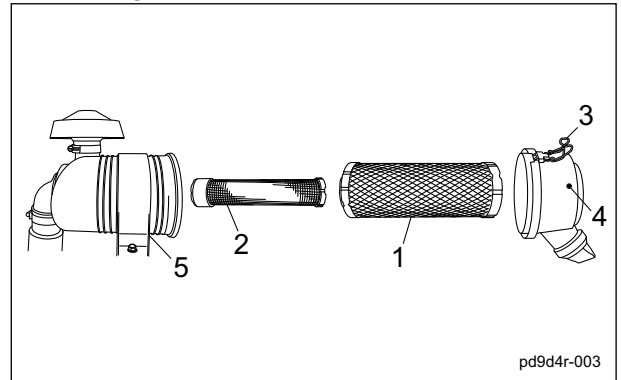
When cleaning the air cleaner element, do not use a petroleum solvent.  
When cleaning and drying the air cleaner element, do not use compressed air.

**Important**

The inner element cannot be cleaned.

1. Follow the steps below to clean the outer element.
  - [1] Remove the clip, remove the cover, and then remove the element.
  - [2] While paying close attention not to damage the element, tap a solid portion of the element to remove dust and dirt. If the element is extremely contaminated, replace it with a new one.
  - [3] Attach the air cleaner element to the air cleaner body.

- [4] Install the cover, and then affix it securely using the clip.



Cleaning of Air Cleaner Element\_001

|   |                  |
|---|------------------|
| 1 | Outer element    |
| 2 | Inner element    |
| 3 | Clip             |
| 4 | Cover            |
| 5 | Air cleaner body |

## Battery

### Inspection of Battery

**⚠ Danger**

Keep away from fire while inspecting or charging the battery.  
The battery may explode.

**⚠ Caution**

Implement after the engine and muffler etc. have well cooled down.  
Otherwise, you may get burned.

**Important**

Be sure to stop the engine before inspecting or charging the battery.

Battery inspection items are described below.

1. Inspecting the exterior
 

Visually inspect the exterior of the battery, and check that there are no cracks, splits, missing sections, or abnormal deformation in the battery case, and that there is no electrolyte leaking.  
If abnormalities are found, immediately replace the battery.

# Handling Instructions

## 2. Cleaning the exterior

**Warning**

Do not clean the battery with a dry cloth. Cleaning the battery with a dry cloth may cause it to catch fire or explode due to static electricity.

Use a wet cloth for cleaning. Inspect the vent plugs or vent holes on the side of the battery, and if they are blocked by dirt wash them with water to remove the blockage. Continuing to use the battery with the vent holes blocked may cause the battery to rupture from increased internal pressure due to gases generated inside the battery.

## 3. Inspecting the mounting bracket

Inspect whether the battery is secured firmly with the mounting bracket. If the bracket is loose, tighten the mounting bracket nuts until the battery is secured firmly.

An improperly mounted battery may cause damage to the battery case or electrolyte leaks due to the battery moving with vibrations while traveling.

## 4. Inspecting the cable terminals

If the connection between the battery terminals and vehicle's cable terminals are loose, tighten the nuts until the cable terminals are secured firmly. Insufficiently tightened terminals may result in poor battery charging, damage to the terminals due to poor contacts, or an explosion.

If the terminals are corroded, rub them clean with a wire brush or fine grit sandpaper, and lightly apply anti-rust grease.

## 5. Inspecting the electrolyte level and refilling

**Warning**

Do not allow the battery fluid level to become lower than the LOWER LEVEL (minimum fluid level line). The battery may explode if it is used or charged while the battery fluid level is at the LOWER LEVEL (minimum fluid level line).

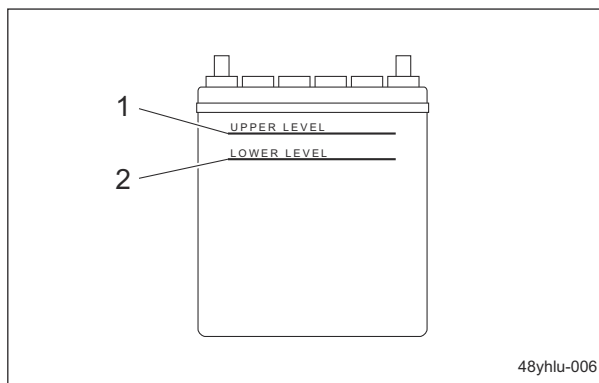
**Warning**

When refilling, do not fill purified water above the UPPER LEVEL line. Doing so may result in electrolyte leaks.

Clean the areas around the battery fluid level lines using a cloth dampened with water to check the electrolyte level from the side of the battery.

Make sure that the battery fluid level is between the UPPER LEVEL (maximum fluid level line) and the LOWER LEVEL (minimum fluid level line).

Refill with purified water up to the UPPER LEVEL line if the level is lower than halfway between the UPPER LEVEL and LOWER LEVEL lines.



Inspection of Battery\_001

|   |                  |
|---|------------------|
| 1 | UPPER LEVEL line |
| 2 | LOWER LEVEL line |

# Handling Instructions

## Supply of Battery Fluid

**Danger**

Be careful not to let your skin, eyes or clothes, etc., come into contact with the battery fluid or accidentally swallow the fluid. Should your skin or clothes come into contact with the battery fluid, immediately wash them away with water.

**Danger**

When you supply battery fluid, wear protective garments and safety glasses, etc.

**Warning**

Do not allow the battery fluid level to become lower than the LOWER LEVEL (minimum fluid level line). The battery may explode if it is used or charged while the battery fluid level is at the LOWER LEVEL (minimum fluid level line).

**Warning**

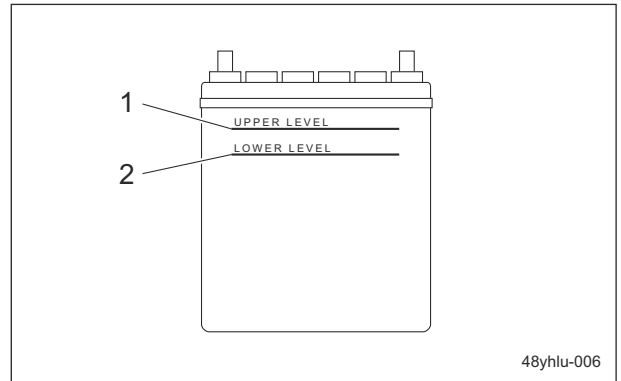
When refilling, do not fill purified water above the UPPER LEVEL (maximum fluid level line). Doing so may result in electrolyte leaks.

**Caution**

Implement after the engine and muffler etc. have well cooled down. Otherwise you may get burned.

If the battery fluid level is lower than halfway between the UPPER LEVEL (maximum fluid level line) and LOWER LEVEL (minimum fluid level line), add purified water.

1. Loosen the vent plug and remove it.
2. Add purified water up to the UPPER LEVEL (maximum fluid level line)
3. Tighten the vent plug securely.



Supply of Battery Fluid\_001

|   |                          |
|---|--------------------------|
| 1 | Maximum fluid level line |
| 2 | Minimum fluid level line |

## Electrical Wiring

### Inspection of Electrical Wiring

**Important**

Electrical short circuit will cause fire, electrical leakage and malfunction of electrical equipments.

1. Make sure that there is no defacement in wires and terminals.
2. Make sure that there is no deterioration or damage in wires and terminals.
3. Make sure that there is no looseness in wiring connections.
4. Make sure that there is no poor terminal connection.

## Tire

### Inspection of Tires

1. Check the pneumatic pressure of the tires.
2. Make sure that there are no cracks, damage or abnormal wear.

| Tire size                       | Pneumatic pressure                |
|---------------------------------|-----------------------------------|
| Front wheel (PD21 x 11.00 - 10) | 70 kPa (0.7 kgf/cm <sup>2</sup> ) |
| Rear wheel (25 x 13.00 - 9)     | 40 kPa (0.4 kgf/cm <sup>2</sup> ) |

# Handling Instructions

---

## Brake

### Inspection of Brake Pedal

1. Make sure that there is no play in the pedal.
2. Make sure that the pedal moves smoothly.
3. Make sure that there is no abnormal sound when the pedal is depressed.
4. Make sure that the pedal does not touch the floorboard when the pedal is depressed.

### Inspection of Parking Brake

1. Depress the locking pedal while firmly depressing the brake pedal to lock it and check that the brake is applied effectively.
2. Firmly depress the brake pedal and release the locking pedal to release the brake pedal, and then check that the brake is not applied.

## Belt

### Inspection of Belt

 **Caution**

The engine must be stopped when the belt is inspected.  
Be careful since the belt may rotate and something may get caught in it, even if the engine is stopped.

 **Caution**

The engine muffler is near the belt.  
Inspect the belt after the muffler has sufficiently cooled.

1. Press the middle of the belt with your finger to check the belt tension.
2. Make sure that there are no cracks, damage or abnormal wear.

## Wire

### Inspection of Wire

1. Make sure that the wire is not cracked or damaged.
2. Make sure that the wire is not worn.
3. Make sure that the wire is not crushed.
4. Make sure that the wire is not bent.
5. Make sure that the wire is not corroded or rusted.

## Steering Wheel

### Inspection of Steering Wheel

1. Make sure that there is no play in the steering wheel.
2. Make sure that the steering wheel can be turned smoothly without abnormal noise, etc.
3. Make sure that the steering chain is not overtightened and is not loose.
4. Make sure that there are no cracks, damage or abnormal wear in the steering chain.

## Safety Device

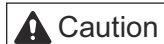
### Inspection of Safety Device

Repair the machine before operation whenever there is any abnormality.

1. Interlock system  
Make sure that the interlock system operates correctly.  
(Refer to "Interlock System")
2. ROPS  
(If the machine is equipped with ROPS and a seat belt)  
Make sure that the ROPS is not damaged or broken.
3. Seat belt  
(If the machine is equipped with ROPS and a seat belt)  
Make sure that the seat belt is not damaged or broken.

## Around The Engine

### Inspection of Engine-Associated Parts

 **Caution**

Perform operations after the engine and other parts have sufficiently cooled.  
Otherwise, you may suffer burns.

1. Check for damages and dirt.
2. Check the mount for looseness and cracks.
3. Check for liquid leakage.
4. Check on and around the muffler for grass clippings and flammable materials.

# Handling Instructions

## Cleaning of Engine-Associated Parts

**Caution**

Perform operations after the engine and other parts have sufficiently cooled. Otherwise, you may suffer burns.

1. Clean clippings and remove dirt.
2. Blow compressed air to clean any grass or flammable materials that may be attached on or around the muffler.

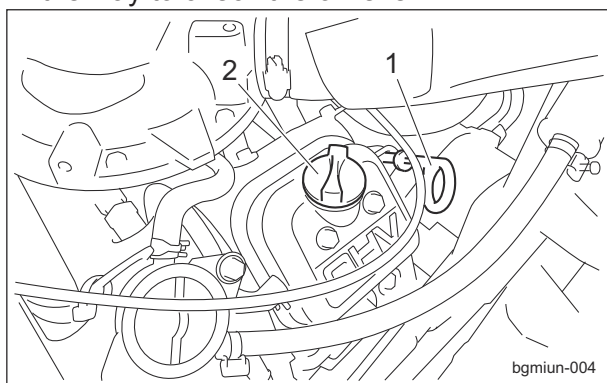
## Engine Oil

### Inspection of Engine Oil

**Important**

Securely tighten the oil level gauge and oil filler cap.

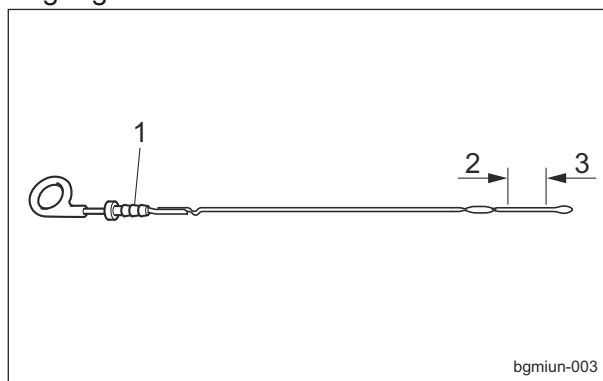
1. Stop the engine, wait for 10 to 20 minutes for the engine to cool down, and then check the engine oil.
2. Position the machine so that the engine will be level, then insert the oil level gauge all the way to check the oil level.



Inspection of Engine Oil\_001

|   |                 |
|---|-----------------|
| 1 | Oil level gauge |
| 2 | Oil filler cap  |

3. The appropriate oil level should be between the upper and lower limit lines on the gauge.



bgmiun-003

Inspection of Engine Oil\_002

|   |                 |
|---|-----------------|
| 1 | Oil level gauge |
| 2 | Upper limit     |
| 3 | Lower limit     |

### Supply of Engine Oil

**Important**

Do not fill too much engine oil. Otherwise, the engine may be damaged.

**Important**

Do not mix different types of engine oil.

**Important**

Be sure to use engine oil that is classified as API Service Grade SF or higher, with an SAE Viscosity that is appropriate for the operating environment (ambient temperature).

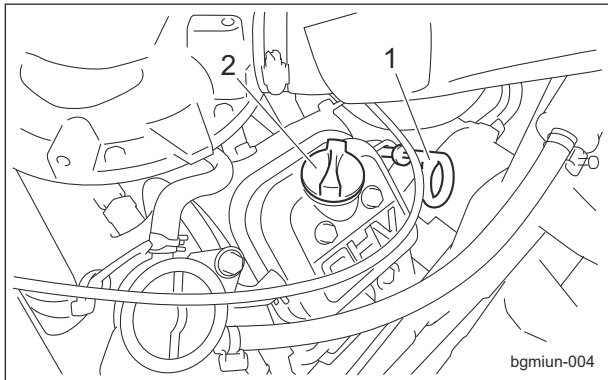
**Important**

Securely tighten the oil level gauge and oil filler cap. If they are insufficiently tightened or there is an insufficient seal, negative pressure inside the crankcase cannot be maintained, causing the oil to rise, possibly resulting in the production of white smoke and damage to the engine.

1. If the engine oil level is lower than the lower limit line on the oil level gauge, supply engine oil through the oil filling port. Remove the oil filler cap.

# Handling Instructions

- Supply new engine oil until the oil reaches a level in between the upper and lower limit lines on the oil level gauge.
- Re-place the oil filler cap.



Supply of Engine Oil\_001

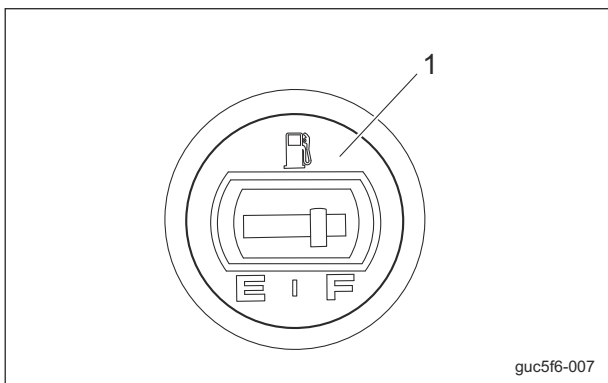
|   |                 |
|---|-----------------|
| 1 | Oil level gauge |
| 2 | Oil filler cap  |

- It will take a while for the supplied engine oil to descend into the oil pan. Check the oil level again 10 to 20 minutes after supplying the oil.

## Fuel

### Inspection of Fuel Quantity

With the machine on a level surface, observe the fuel gauge on the fuel tank to check the fuel level.



Inspection of Fuel Quantity\_001

|   |            |
|---|------------|
| 1 | Fuel gauge |
|---|------------|

### Fuel Supply

#### Warning

Supply fuel before starting the engine. Never remove the tank cap or supply fuel while the engine is running. When opening the tank cap, wait at least 1 minute after stopping the engine, and then slowly open the cap to release the pressure in the tank. Opening the tank cap quickly may cause fuel to burst out.

#### Warning

Do not supply fuel above FULL level of the fuel gauge. If you supply too much fuel, it might overflow from the fuel cap when you travel or work on a slope.

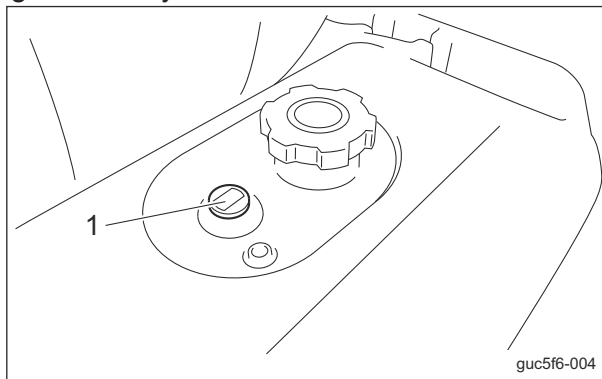
#### Warning

Keep fire away while refueling. Do not smoke while refueling.

#### Warning

Supply fuel after the engine is stopped and has well cooled down.

If the fuel gauge located on the fuel tank indicates a level close to E (EMPTY), supply gasoline at your earliest convenience.

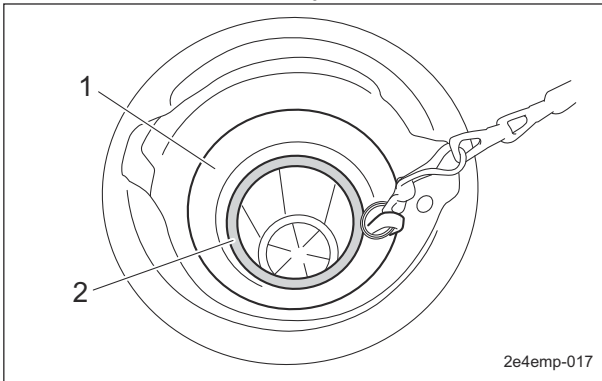


Fuel Supply\_001

|   |            |
|---|------------|
| 1 | Fuel gauge |
|---|------------|

# Handling Instructions

The fuel tank capacity up to the red ring of strainer is approximately 15.0 dm<sup>3</sup> (15.0 L).



Fuel Supply\_002

|   |          |
|---|----------|
| 1 | Strainer |
| 2 | Red ring |

## Fuel Filter

### Inspection of Fuel Filter

1. Make sure that there is no fuel leakage.
2. Make sure that the filter is not damaged.
3. Make sure that the filter is not contaminated.

## Fuel Strainer

### Inspection of Fuel Strainer

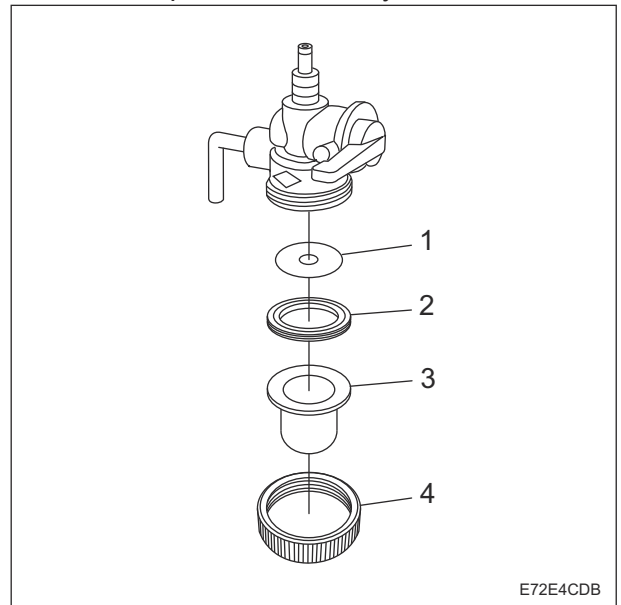
1. Make sure that there is no fuel leakage.
2. Make sure that the fuel strainer is not damaged or dirty.

## Cleaning of Fuel Strainer

### Important

Shut off the fuel valve, and then clean the fuel strainer in a clean location, free of dust and dirt.

1. Remove the filter pot, wash the filter and inside of the filter pot using a solvent, such as a hardly flammable kerosene, and then blow compressed air to dry them.



Cleaning of Fuel Strainer\_001

|   |            |
|---|------------|
| 1 | Filter     |
| 2 | Packing    |
| 3 | Filter pot |
| 4 | Ring       |

2. Make sure that there is no fuel leakage after it is installed.

# Handling Instructions

## Liquid Leakage

### Inspection of Liquid Leakage

#### Important

After approximately 50 hours of operation, some tightened portions may be loosened and liquid such as oil may leak. Be sure to retighten the parts.

#### Important

Repair the machine before operation if liquid leakage found. Ignoring leakage will cause further trouble.

1. Check the bottom of the machine for leakage of liquid such as oil, water, fuel, etc.
2. Locate the leakage and identify the type of liquid.

## Bolts and Nuts

### Inspection of Bolts and Nuts

#### Important

The bolts and nuts may be loosened at the earlier stage of the use. Be sure to retighten or replace before operating the machine whenever there is any abnormality.

1. Check the bolts and nuts for looseness and coming off.
2. Check the bolts and nuts for cracks and damages.
3. Check the bolts and nuts for rust.
4. Check around the bolts and nuts for traces of rust fluid.
5. Check for unequal bolt length.
6. Check the bolts and nuts for stripped threads and abrasion.

### Inspection of Wheel Mounting Bolt

#### Important

Tighten the wheel mounting bolts on the specified torque by using a torque wrench.

1. Check the wheel mounting bolts and wheel nuts for looseness and coming off.

2. Check the wheel mounting bolts and wheel nuts for cracks and damages.
3. Check the wheel mounting bolts and wheel nuts for rust.
4. Check around the wheel mounting bolts and wheel nuts for traces of rust fluid.
5. Check the wheel mounting bolts for unequal bolt length.
6. Check the wheel mounting bolts and wheel nuts for stripped threads and abrasion.

## Adjustment before Work

### Adjustment of Steering Wheel Position

#### Warning

Since it is dangerous, do not adjust the steering wheel while traveling.

#### Caution

Be sure the steering wheel position is securely locked.

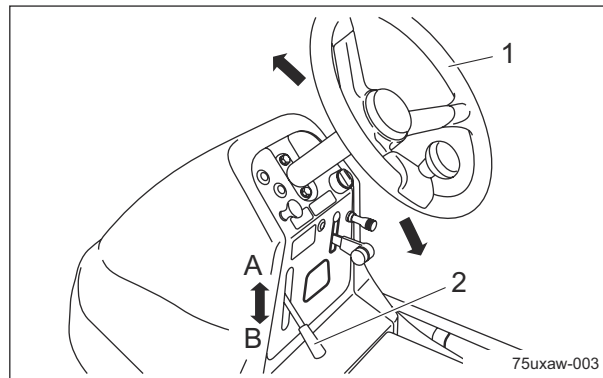
It may result in an unexpected accident if it becomes loose while traveling.

The steering wheel position can be adjusted up or down with the tilt lever.

Adjust the position according to the operator's body size.

Shift the tilt lever to the "FREE" position, move the steering wheel to the position that suits your work requirements, and then shift the tilt lever to the "LOCK" position to secure the steering wheel in place.

The tilt lever is located at the center of the driver's seat.



Adjustment of Steering Wheel\_001

# Handling Instructions

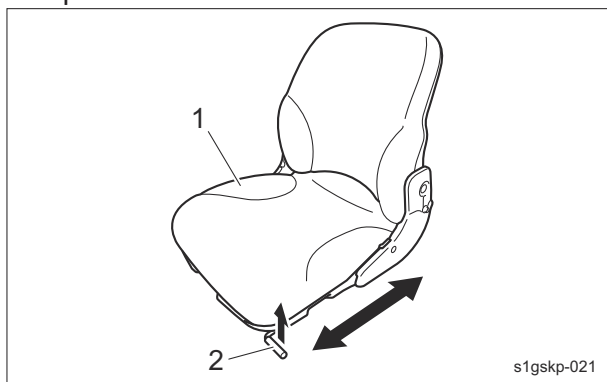
|   |                |
|---|----------------|
| 1 | Steering wheel |
| 2 | Tilt lever     |
| A | FREE           |
| B | LOCK           |

## Adjustment of Seat Position

### **Warning**

Since it is dangerous, do not adjust while traveling.

Use the seat adjustment lever to adjust the seat position back and forth. Adjust the position according to the operator's body size. The adjustment lever is located beneath the front part of the seat.



Adjustment of Seat Position\_001

|   |                |
|---|----------------|
| 1 | Seat           |
| 2 | Adjuster lever |

## Start/Stop of Engine

### Procedure to Start Engine

#### **Caution**

Do not start the engine in a building with insufficient ventilation.

#### **Caution**

Before starting the engine, make sure that there are no other people or obstacles around the machine.

#### **Caution**

Make sure that the covers are correctly in place and are not damaged.

#### Important

Starter operation must take 15 seconds or less. If the engine does not start, stop using the battery for 30 to 60 seconds to avoid exhausting the battery.

1. Open the fuel cock.  
This is near the fuel tank.
2. Sit on the seat.
3. Make sure that the parking brake is applied.
4. Make sure that the traveling pedal is in neutral position.
5. Move the throttle lever to the middle position between "High" and "Low".
6. Pull the choke knob.  
Pull the choke knob half way for restarting, as necessary.
7. Switch the ignition key to the "START" position.

#### Important

Quickly returning the ignition key from the "START" position to the "ON" position may result in damage to the machine.

8. When the starter starts rotating and the engine starts, slowly return the ignition key to the "ON" position.
9. Check that the engine has started, and then return the choke knob to its original position.
10. Shift the throttle lever to "Low", and then warm up the engine.  
Approximate warming-up time
  - 3 to 5 minutes when the outside temperature is less than 20 degrees Celsius (68.0 °F)
  - 2 to 3 minutes when the outside temperature is 20 degrees Celsius (68.0 °F) and over

### Procedure to Stop Engine

1. Raise the rake section.
2. Raise the attachment if any installed.
3. Set the traveling pedal in neutral position.
4. Apply the parking brake.
5. Move the throttle lever to "Low", and continue idling for 1-2 minutes.
6. Switch the ignition key to the "OFF" position.
7. Make sure that the engine has stopped.

# Handling Instructions

## Parking and Stopping

### Procedure to Leave The Machine

**Caution**

If the brakes are not sufficiently effective, use the wheel stoppers to secure the machine.

**Caution**

Never park the machine on a slope.

1. Park the machine on level ground.
2. Apply the parking brake.
3. Stop the engine.
4. Remove the ignition key.
5. Step off the machine.
6. Close the fuel cock.

## Move

### Traveling Procedure

**Caution**

Under any circumstances drive the machine at such a speed that you can stop it immediately for emergencies.

**Important**

Do NOT start to move or stop the machine abruptly. It will damage the hydraulic system or result in oil leakage.

1. Start the engine.  
"Procedure to Start Engine" (Page 5-15)
2. Make sure that the rake section is raised.
3. Make sure that all the attachments are raised if any installed.
4. Gradually move the throttle lever towards "High Speed" position.
5. Firmly depress the brake pedal and release the lock fitting to release the brake pedal.
6. Slowly depress the traveling pedal.
7. The machine starts traveling.
8. Release the traveling pedal and depress the brake pedal to stop the machine.

## Operations

### Rake Operation

**Caution**

Perform operations at an appropriate speed for the site and location.

**Caution**

Before starting operations, check that the area where the operations are to be performed is safe.

**Caution**

Before raising or lowering the rake, make sure that there are no people around the rake.

**Important**

Do NOT start to move or stop the machine abruptly. It will damage the hydraulic system or result in oil leakage.

1. Start the engine.  
"Procedure to Start Engine" (Page 5-15)

**Important**

If the engine rpm is low, the rake will not be raised and lowered due to insufficient hydraulic oil. Move the throttle lever above the middle position toward "High speed".

2. Make sure that the rake section is raised.
3. Make sure that all the attachments are raised if any installed.
4. Move the throttle lever toward "High speed" to rev up the engine to MAX.
5. Firmly depress the brake pedal and release the lock fitting.  
The parking brake is released at the same time.

# Handling Instructions

**Caution**

Do not enter or leave a bunker via a steep slope or extremely uneven ground.

**Important**

When switching between 2WD and 3WD operation, make sure to stop the machine completely.

6. Enter the bunker.

**Important**

Do not back up with the rake, cultivator or finishing brush lowered.

- 7. Depress the traveling pedal to travel.
- 8. At the bunker area where the operation is to be started, shift the up/down switch lever to the "DOWN" position to lower the rake.
- 9. At the bunker area where the operation is to be stopped, shift the up/down switch lever to the "UP" position to raise the rake.
- 10. Leave the bunker.
- 11. If tire tracks remain, use the broom to remove them.

## Blade Operation

**Caution**

Perform operations at an appropriate speed for the site and location.

**Caution**

Before starting operations, check that the area where the operations are to be performed is safe.

**Caution**

Before raising or lowering the rake, make sure that there are no people around the rake.

**Caution**

If the blade is raised, do not touch the lifting lever.

**Caution**

When getting on and off the machine, watch out the blade lever lest you should get your foot caught on it and fall.

**Important**

Do NOT start to move or stop the machine abruptly. It will damage the hydraulic system or result in oil leakage.

- 1. Start the engine.  
"Procedure to Start Engine" (Page 5-15)

**Important**

If the engine rpm is low, the rake will not be raised and lowered due to insufficient hydraulic oil. Move the throttle lever above the middle position toward "High speed".

- 2. Make sure that the rake section is raised.
- 3. Make sure that all the attachments are raised if any installed.
- 4. Move the throttle lever toward "High speed" to rev up the engine to MAX.
- 5. Firmly depress the brake pedal and release the lock fitting.  
The parking brake is released at the same time.

**Caution**

Do not enter or leave a bunker via a steep slope or extremely uneven ground.

**Important**

When switching between 2WD and 3WD operation, make sure to stop the machine completely.

6. Enter the bunker.

**Important**

Perform blade operations in 2WD.

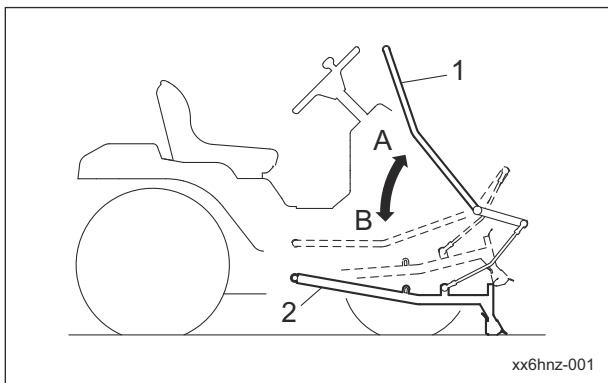
- 7. Shift the 2WD/3WD selector lever to the "2WD" position to operate in rear-wheel 2WD.

# Handling Instructions

**Important**

Do not back up with the rake, cultivator or finishing brush lowered.

8. Depress the traveling pedal to travel.
9. At the bunker area where the operation is to be started, repeatedly perform the following operations.
  - Move the blade lever forward to lower the blade, and then keep pushing the blade lever forward to lift the sand while driving forward.
  - Pull the blade lever toward you to raise the blade.



Blade\_005

|   |                            |
|---|----------------------------|
| 1 | Blade lever                |
| 2 | Blade                      |
| A | Tilted up (blade lowered)  |
| B | Pulled down (blade raised) |

## Cultivator Operation

**Caution**

Perform operations at an appropriate speed for the site and location.

**Caution**

Before starting operations, check that the area where the operations are to be performed is safe.

**Important**

Do NOT start to move or stop the machine abruptly. It will damage the hydraulic system or result in oil leakage.

1. Start the engine.  
"Procedure to Start Engine" (Page 5-15)

**Important**

If the engine rpm is low, the rake will not be raised and lowered due to insufficient hydraulic oil. Move the throttle lever above the middle position toward "High speed".

2. Make sure that the rake section is raised.
3. Make sure that all the attachments are raised if installed.
4. Move the throttle lever toward "High speed" to rev up the engine to MAX.
5. Firmly depress the brake pedal and release the lock fitting.  
The parking brake is released at the same time.

**Caution**

Do not enter or leave a bunker via a steep slope or extremely uneven ground.

**Important**

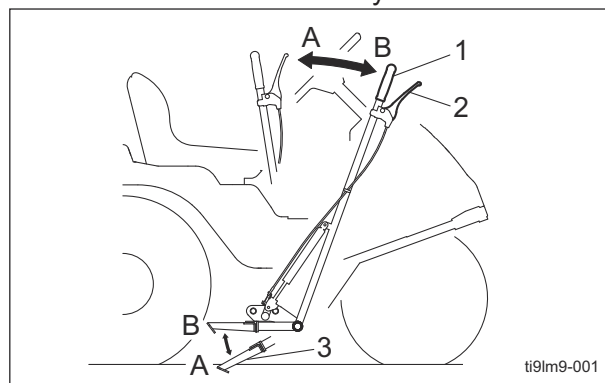
When switching between 2WD and 3WD operation, make sure to stop the machine completely.

6. Enter the bunker.

**Important**

Do not back up with the rake, cultivator or finishing brush lowered.

7. Depress the traveling pedal to travel.
8. At the bunker area where the operation is to be started, squeeze the clutch lever and pull the cultivator lever toward you.



Cultivator\_004

# Handling Instructions

|   |                  |
|---|------------------|
| 1 | Cultivator lever |
| 2 | Clutch lever     |
| 3 | Cultivator board |
| A | Pull (lowered)   |
| B | Push (raised)    |

9. Lower the cultivator board to the desired depth, and then release the clutch lever.
10. At the bunker area where the operation is to be stopped, squeeze the clutch lever and push the cultivator lever to raise the cultivator board.
11. At the bunker area where the operation is to be started, shift the up/down switch lever to the "DOWN" position to lower the rake.
12. At the bunker area where the operation is to be stopped, shift the up/down switch lever to the "UP" position to raise the rake.
13. Leave the bunker.
14. If tire tracks remain, use the broom to remove them.

## Finishing Brush Operation

### Caution

Perform operations at an appropriate speed for the site and location.

### Caution

Before starting operations, check that the area where the operations are to be performed is safe.

### Important

Do NOT start to move or stop the machine abruptly. It will damage the hydraulic system or result in oil leakage.

1. Start the engine.  
"Procedure to Start Engine" (Page 5-15)

### Important

If the engine rpm is low, the rake will not be raised and lowered due to insufficient hydraulic oil. Move the throttle lever above the middle position toward "High speed".

2. Make sure that the rake section is raised.

3. Make sure that all the attachments are raised if any installed.
4. Move the throttle lever toward "High speed" to rev up the engine to MAX.
5. Firmly depress the brake pedal and release the lock fitting.  
The parking brake is released at the same time.

### Caution

Do not enter or leave a bunker via a steep slope or extremely uneven ground.

6. Enter the bunker.
7. Stop the machine and apply the parking brake.

### Important

When switching between 2WD and 3WD operation, make sure to stop the machine completely.

8. Adjust the height of the brush from the ground according to the bunker conditions.
9. Release the parking brake.

### Important

Do not back up with the rake, cultivator or finishing brush lowered.

10. Depress the traveling pedal to travel.
11. At the bunker area where the operation is to be started, shift the up/down switch lever to the "DOWN" position to lower the rake. The finishing brush is lowered at the same time.
12. At the bunker area where the operation is to be stopped, shift the up/down switch lever to the "UP" position to raise the rake. The finishing brush is raised at the same time.
13. Leave the bunker.
14. If tire tracks remain, use the broom to remove them.

## Transporting

### Transporting Procedure

When loading the machine into a trailer or a truck to transport it, drive the machine in reverse. When unloading, drive the machine forward.

# Handling Instructions

---

**Precautions for Maintenance .....Page 6-2**

**Jacking Up The Machine ..... Page 6-2**

    About Jacking Up The Machine .....Page 6-2

    Jack-Up Points .....Page 6-2

**Greasing ..... Page 6-3**

    About Greasing .....Page 6-3

    Greasing Points ..... Page 6-4

**Lubrication ..... Page 6-6**

    About Lubrication .....Page 6-6

    Lubricating Points ..... Page 6-6

**Adjustment and Replacement ..... Page 6-6**

    Adjustment of Speed Adjustment

    Plate .....Page 6-6

    Rake ..... Page 6-7

    Blade .....Page 6-8

    Cultivator .....Page 6-8

    Finishing Brush ..... Page 6-9

    Replacement of Tires ..... Page 6-11

    Adjustment of Belt Tension ..... Page 6-13

    Replacement of Hydraulic Oil ..... Page 6-14

    Replacement of Hydraulic Oil Filter ..... Page 6-15

    Replacement of Air Breather

    Element .....Page 6-15

    Replacement of Air Cleaner Element .. Page 6-16

    Replacement of Engine Oil ..... Page 6-16

    Replacement of Engine Oil Filter ..... Page 6-17

    Replacement of Fuel Filter ..... Page 6-18

**Storage ..... Page 6-18**

    Long-Term Storage ..... Page 6-18

# Maintenance

## Precautions for Maintenance

**Warning**

The chapter "Maintenance" in this manual describes practical measures which should be performed by a mechanic with expertise. The owner should instruct the mechanic with expertise to perform maintenance service for this machine.

**Caution**

First, learn well the operations you plan to perform.

**Important**

Use tools appropriate for each operation.

**Important**

Use Baronsess genuine parts for replacement and accessories. Our product warranty may be void if you use non-genuine parts for replacement or accessories.

## Jacking Up The Machine

### About Jacking Up The Machine

**Warning**

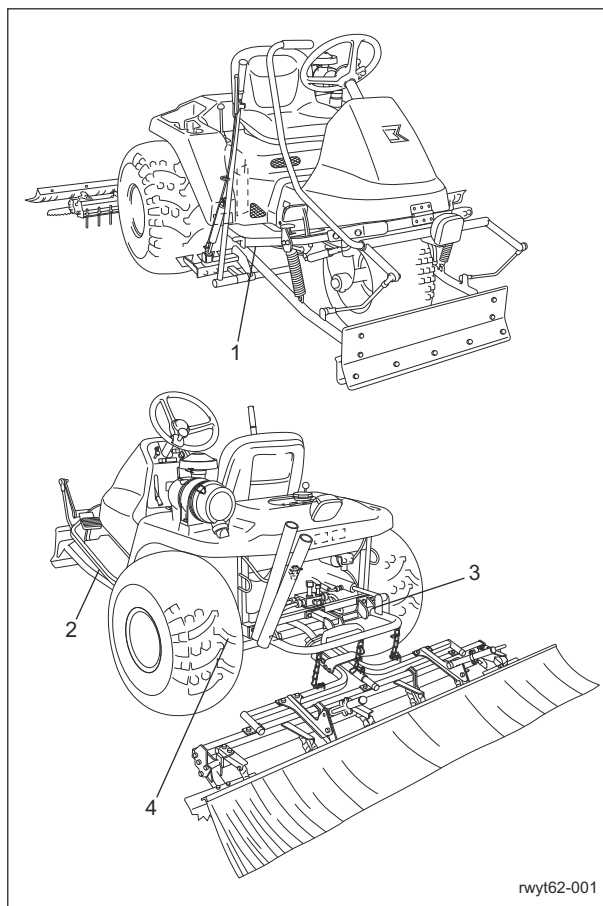
When replacing a tire or beginning any other maintenance or repairs, be sure to chock the wheels to prevent the machine from moving. Before jacking up the machine, park it on a hard, flat surface such as a concrete floor and remove any obstacles that could prevent you from performing the work safely. When necessary, use an appropriate chain block, hoist, or jack. Support the machine securely with jack stands or appropriate blocks. Failure to do so may cause the machine to move or fall, resulting in injury or death.

**Important**

Only place a jack under the jack-up points specified. Placing a jack at any other point will result in damage to the frame or other parts.

Use the jack-up points identified in this manual when jacking up the machine.

### Jack-Up Points

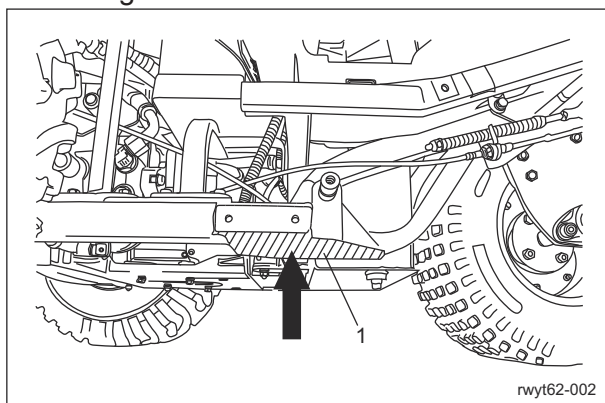


rwy62-001

Jack-Up Points\_001

|   | Jack-up Points    |
|---|-------------------|
| 1 | Front right frame |
| 2 | Front left frame  |
| 3 | Rear right frame  |
| 4 | Rear left frame   |

## 1. Front right frame



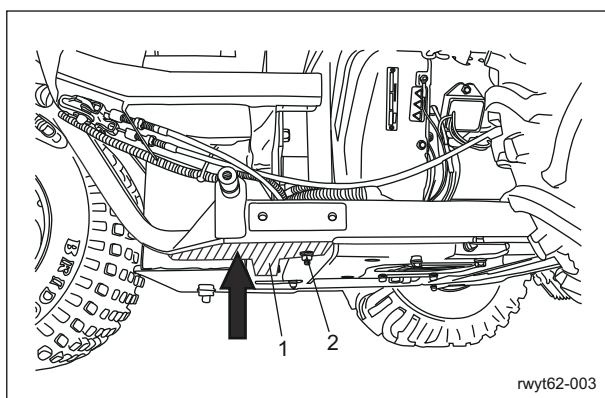
Jack-Up Points\_002

|   |                   |
|---|-------------------|
| 1 | Reinforcing plate |
|---|-------------------|

## 2. Front left frame

### Important

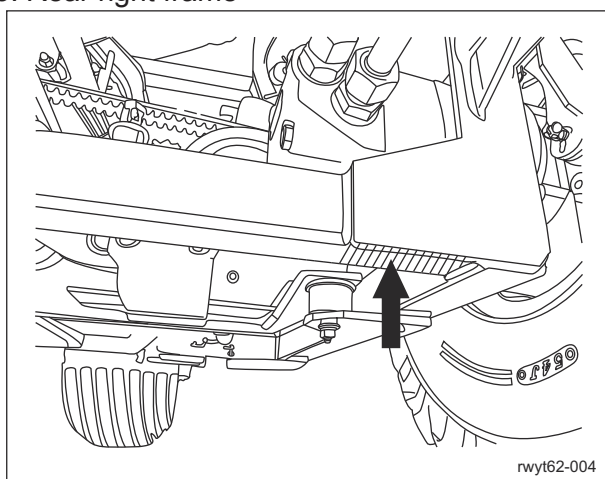
One nut is used to install the reinforcing plate. Be careful that the jack does not hit the nut.



Jack-Up Points\_003

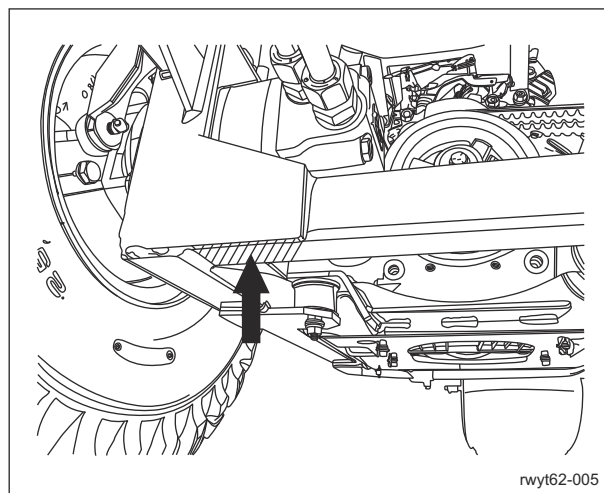
|   |                   |
|---|-------------------|
| 1 | Reinforcing plate |
| 2 | Nut               |

## 3. Rear right frame



Jack-Up Points\_004

## 4. Rear left frame



Jack-Up Points\_005

## Greasing

### About Greasing

Since there may be adhesion or damage due to lack of grease on moving parts, they must be greased.

Add urea-based No. 2 grease in accordance with the Maintenance Schedule.

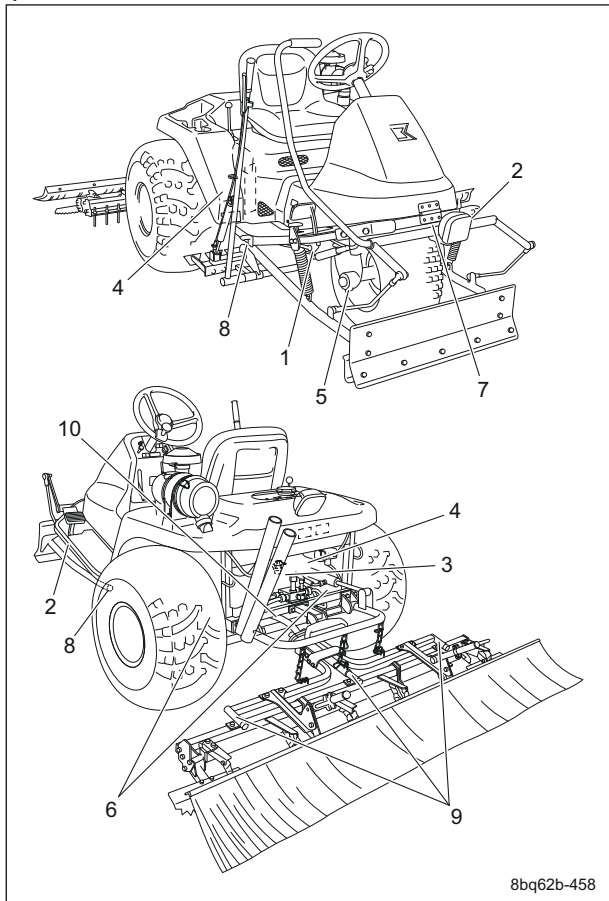
Other locations where the specified grease or lubricant is used are indicated in "Greasing Points".

Add grease using the specified grease or lubricant.

# Maintenance

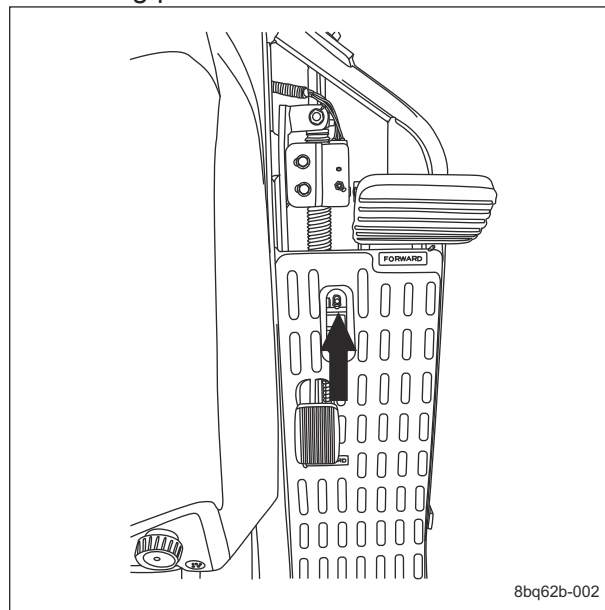
## Greasing Points

Grease nipples are installed in the following locations. Add grease every 50 hours of operation.



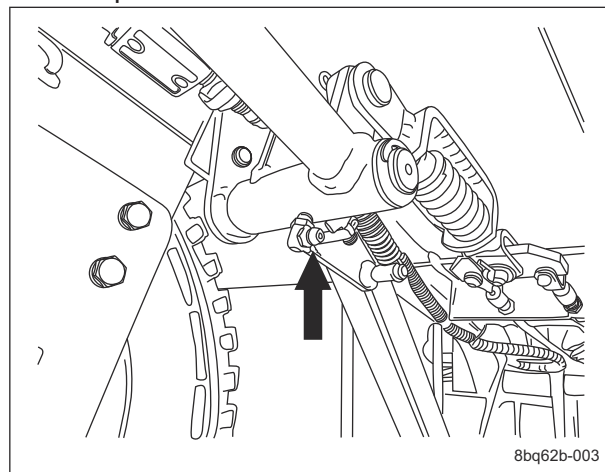
Greasing Points\_001

### 1. Traveling pedal fulcrum



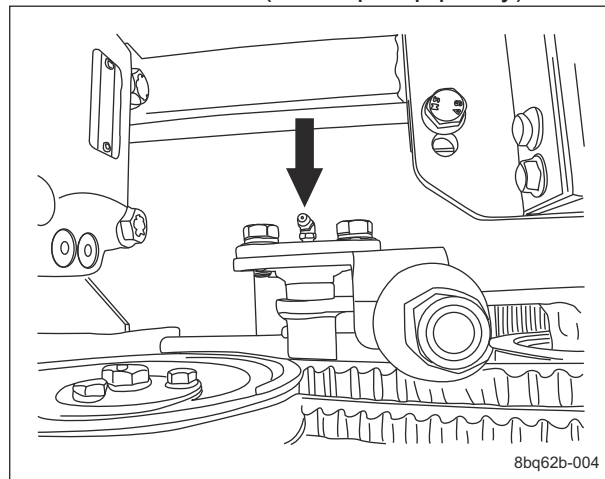
Greasing Points\_002

### 2. Brake pedal fulcrum



Greasing Points\_003

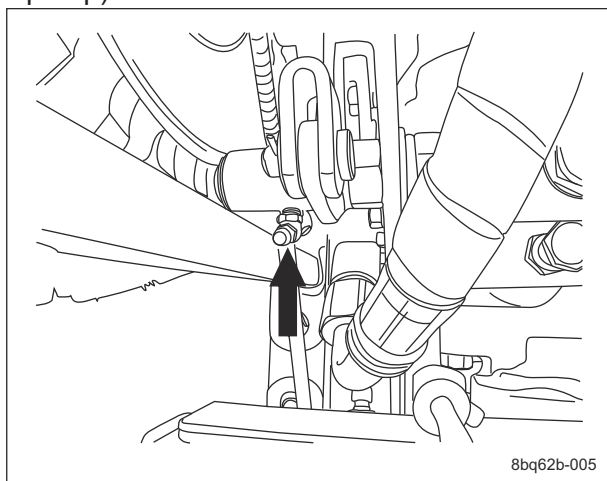
### 3. Belt tension lever (below pump pulley)



Greasing Points\_004

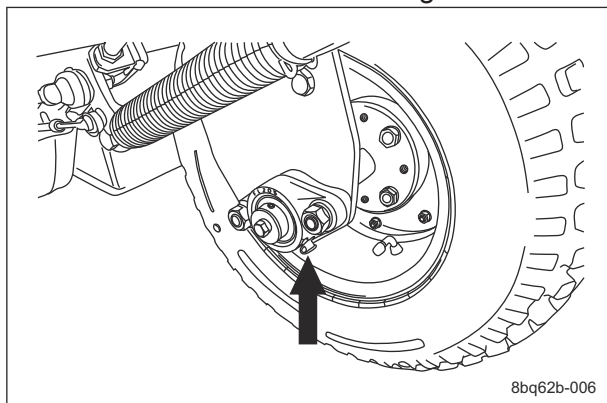
|    | Location                              | No. of Greasing Points |     |
|----|---------------------------------------|------------------------|-----|
|    |                                       | 2WD                    | 3WD |
| 1  | Traveling pedal fulcrum               | 1                      | 1   |
| 2  | Brake pedal fulcrum                   | 1                      | 1   |
| 3  | Belt tension lever                    | 1                      | 1   |
| 4  | Pump neutral lever fulcrum            | 1                      | 1   |
| 5  | Front wheel shaft rhombic flange unit | 2                      | 1   |
| 6  | Rear wheel brake lever fulcrum        | 2                      | 2   |
| 7  | Blade lever fulcrum                   | 1                      | 1   |
| 8  | Blade arm fulcrum                     | 2                      | 2   |
| 9  | Rake mount                            | 3                      | 3   |
| 10 | Rake fulcrum                          | 1                      | 1   |

### 4. Pump neutral lever fulcrum (above piston pump)



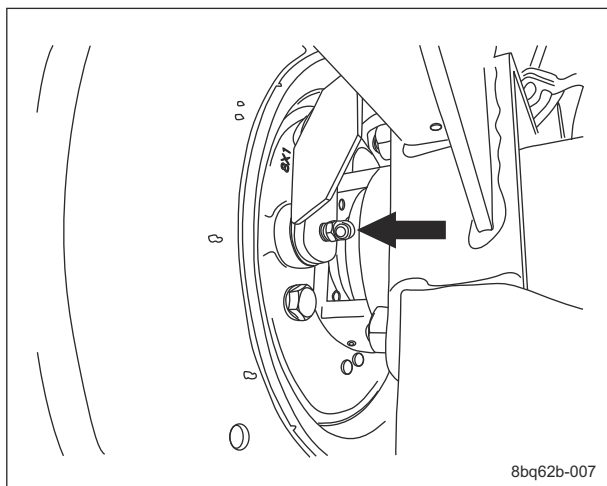
Greasing Points\_005

### 5. Front wheel shaft rhombic flange unit

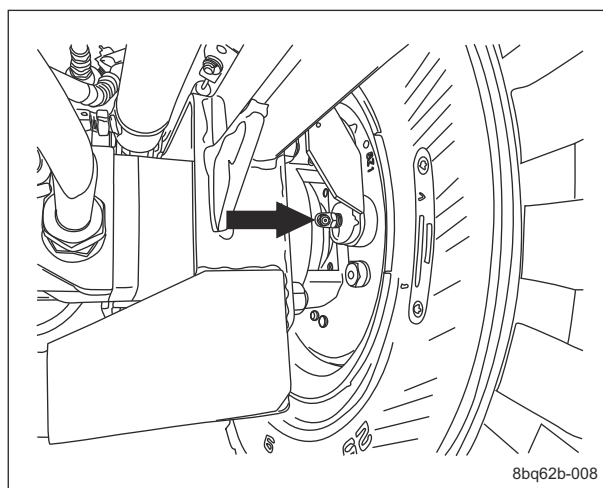


Greasing Points\_006

### 6. Rear wheel brake lever fulcrum

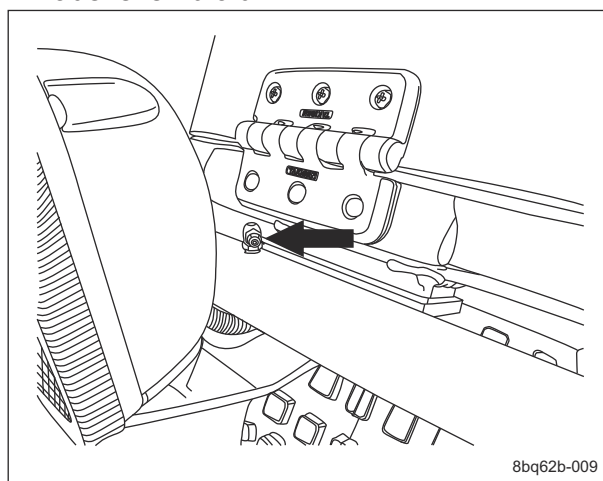


Greasing Points\_007



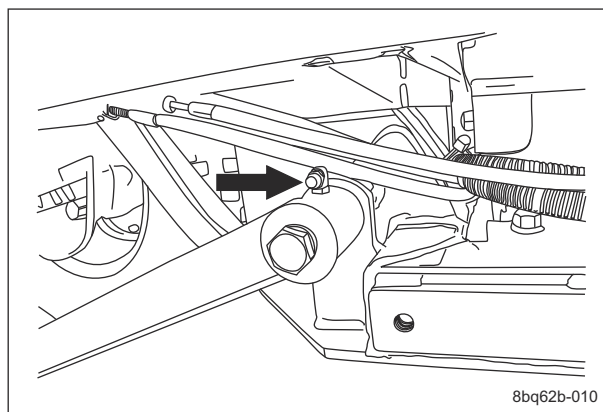
Greasing Points\_008

### 7. Blade lever fulcrum



Greasing Points\_009

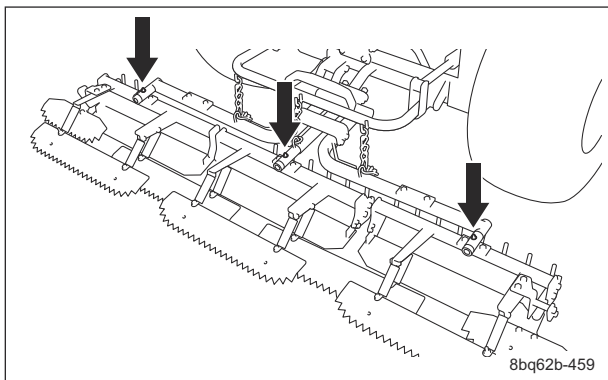
### 8. Blade arm fulcrum



Greasing Points\_010

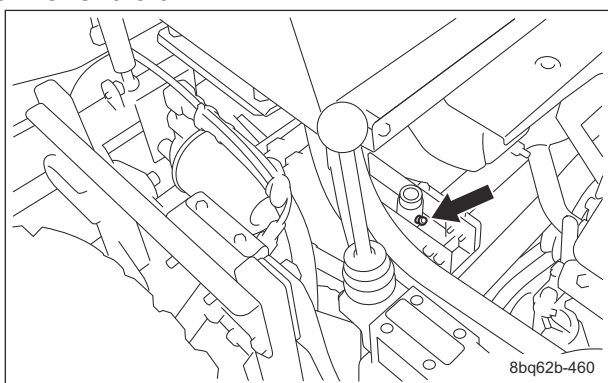
# Maintenance

## 9. Rake mount



Greasing Points\_011

## 10. Rake fulcrum



Greasing Points\_012

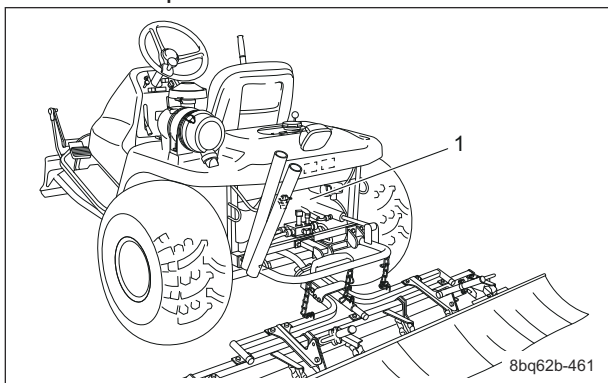
## Lubrication

### About Lubrication

It is necessary to lubricate moving parts so that they will not become stuck or damaged. The locations where lubricant is used are indicated in "Lubricating Points". Apply the lubricant.

### Lubricating Points

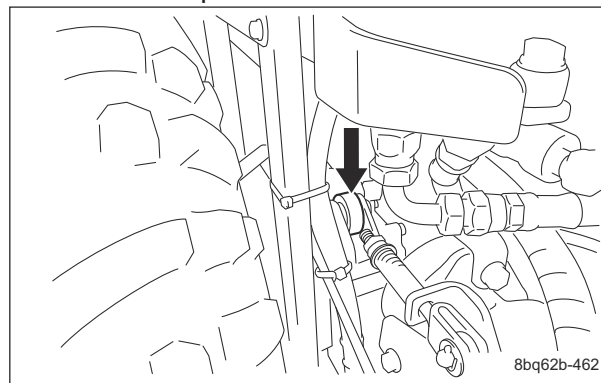
Apply lubricant at the following locations every 50 hours of operation.



Lubricating Points\_001

|   | Location                                | No. of lubricating points |
|---|---|---------------------------|
| 1 | Rake up/down cylinder spherical bearing | 1                         |

1. Rake up/down cylinder spherical bearing  
There is one point.



Lubricating Points\_002

## Adjustment and Replacement

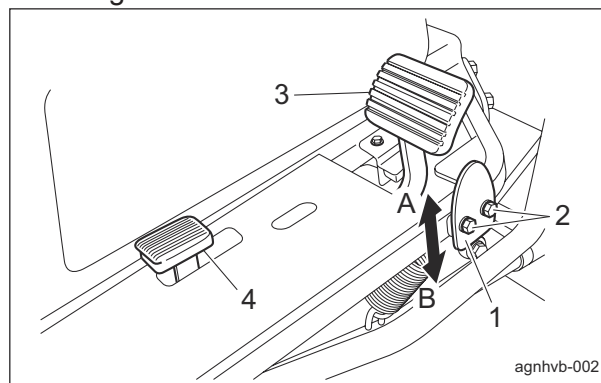
### Adjustment of Speed Adjustment Plate

#### Warning

Since it is dangerous, do not adjust the speed adjustment plate while traveling.

The height of the speed adjustment plate can be adjusted with the bolts. Use the speed adjustment plate to operate the machine at a constant speed.

1. Loosen the bolts.
2. Determine the operating speed, adjust the height of the speed adjustment plate, and then tighten the bolts.



Adjustment of Speed Adjustment Plate\_001

|   |                        |
|---|------------------------|
| 1 | Speed adjustment plate |
| 2 | Bolt                   |
| 3 | Forward pedal          |
| 4 | Reverse pedal          |
| A | Slow                   |
| B | Fast                   |

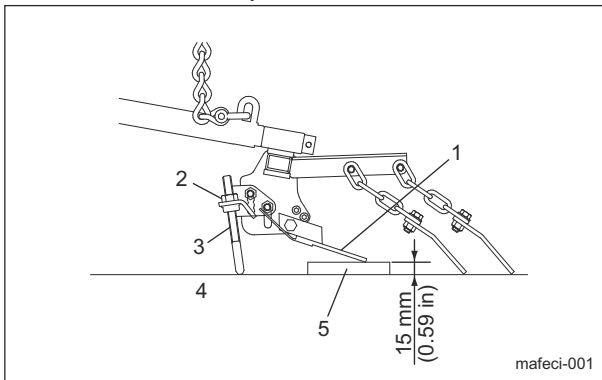
## Rake

### Adjustment of Rake

**Caution**

Before adjusting the rake, be sure to stop the engine.

- The rake can be adjusted with the nut.
  - On a level surface, lower the rake, and then drive the machine forward about approximately 200 mm (7.87 in).
  - Place a wooden board with a thickness of about 15 mm (0.59 in) under the warp board.
  - Adjust the fork prong bar to a position where the rake load is applied to the wooden board and the tip of the fork prong bar lightly touches the ground, and then lock it in place with the nut.

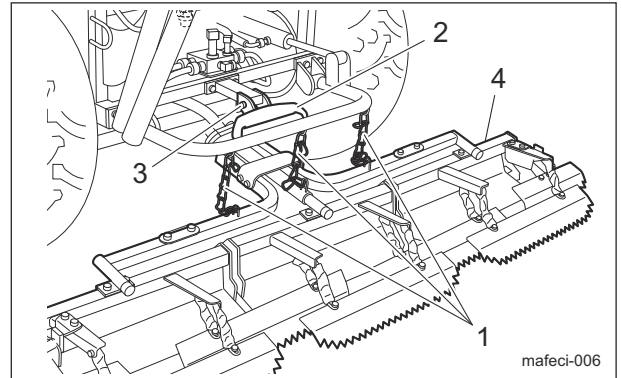


Adjustment of Rake\_001

|   |                       |
|---|-----------------------|
| 1 | Warp board            |
| 2 | Nut                   |
| 3 | Fork prong bar        |
| 4 | Flat concrete surface |
| 5 | Wooden board, etc.    |

- When adjusting the links of the cross-link chains, adjust the rake stopper. As a standard, 7 links of the chain are used.
  - Loosen the nut.
  - Raise the rake.

- Adjust the rake stopper so that it lightly touches the rake, and then tighten the nut.
- Raise and lower the rake to check that it lightly touches the rake stopper.



Adjustment of Rake\_002

|   |                   |
|---|-------------------|
| 1 | Cross-link chains |
| 2 | Rake stopper      |
| 3 | Nut               |
| 4 | Rake              |

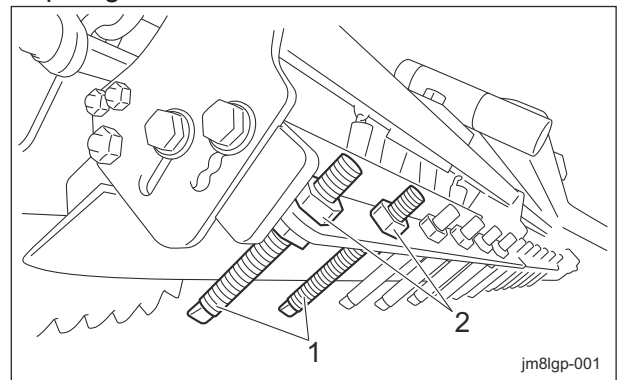
### Replacement of Fork Prong Bar

**Caution**

Wear gloves when touching a fork prong bar.

When wear of the fork prong bar results in no margin for tightening the nut on the fork prong bar, replace the fork prong bar.

- Loosen the nut, and then replace the fork prong bar.



Change of Fork Prong Bar\_001

|   |                |
|---|----------------|
| 1 | Fork prong bar |
| 2 | Nut            |

- Adjust the fork prong bar. "Adjustment of Rake" (Page 6-7)
- Tighten the nut.

# Maintenance

## Blade

### Adjustment of Blade

**Note:**

Depending on the specifications, this function may not be available.

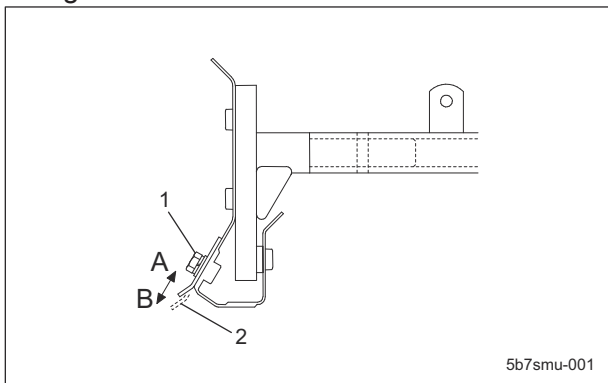
The blade can be adjusted with the bolt.

1. Loosen the bolt, and then move the small blade to the desired position.

[1] Toward A to take a thin layer from the surface of the sand

[2] Toward B to take a thick layer from the surface of the sand

2. Tighten the bolt.



5b7smu-001

Adjustment of Blade\_001

|   |             |
|---|-------------|
| 1 | Bolt        |
| 2 | Small blade |

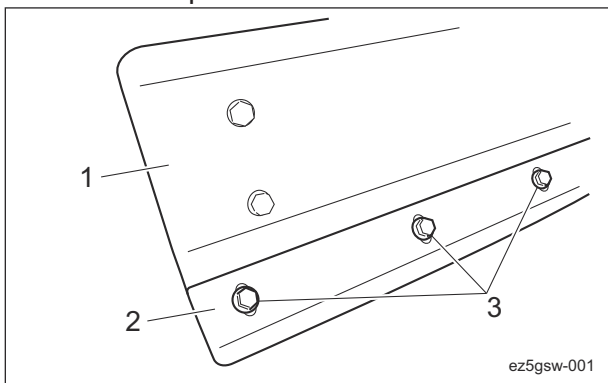
### Replacement of Small Blade

**Note:**

Depending on the specifications, this function may not be available.

When wear of the small blade causes a reduction in the amount of sand that is lifted up, replace the small blade.

1. Loosen the bolts installing the small blade, and then replace the small blade.



ez5gsw-001

Change of Small Blade\_001

|   |             |
|---|-------------|
| 1 | Blade       |
| 2 | Small blade |
| 3 | Bolt        |

2. Adjust the small blade.

"Adjustment of Blade" (Page 6-8)

3. Tighten the bolts.

## Cultivator

### Replacement of The Cultivator Fitting

**Note:**

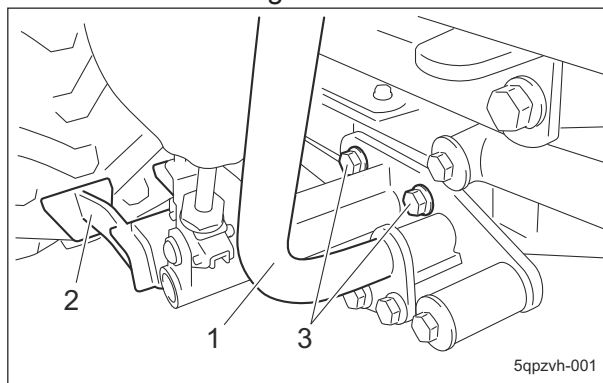
Depending on the specifications, this function may not be available.

**Caution**

When removing the cultivator, be careful not to pinch your hands.

When wear of the trapezoidal cultivator fitting disables unhardening the sand, replace the trapezoidal cultivator fitting.

1. Remove the bolts at the bottom of the machine on the right side.

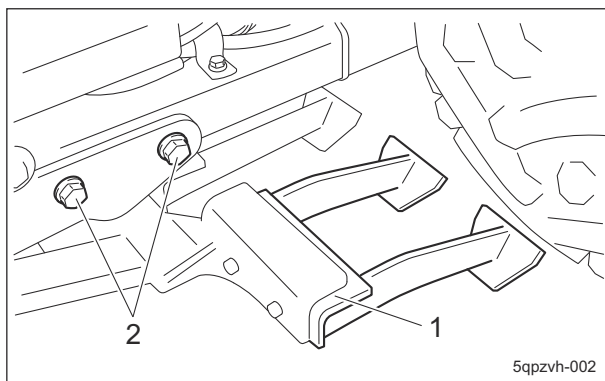


5qpzv-001

Change of The Cultivator Fitting\_001

|   |                                |
|---|--------------------------------|
| 1 | Lever pipe                     |
| 2 | Trapezoidal cultivator fitting |
| 3 | Bolt                           |

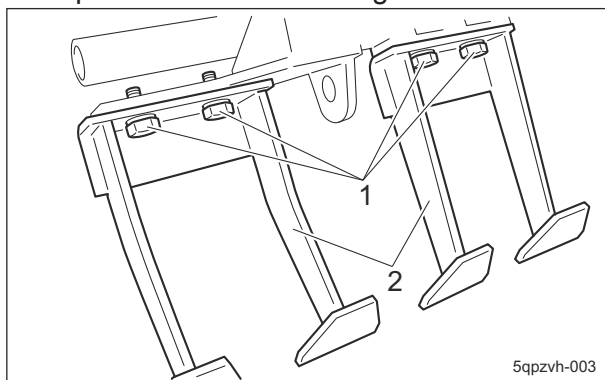
- Remove the bolts at the bottom of the machine on the left side.



Change of The Cultivator Fitting\_002

|   |            |
|---|------------|
| 1 | Cultivator |
| 2 | Bolt       |

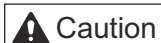
- Pull out the cultivator from the bottom of the machine.
- Remove the bolts, and then replace the trapezoidal cultivator fittings.



Change of The Cultivator Fitting\_003

|   |                                |
|---|--------------------------------|
| 1 | Bolt                           |
| 2 | Trapezoidal cultivator fitting |

- Tighten the bolts for the trapezoidal cultivator fitting.



**Caution**  
When installing the cultivator, pay attention to its falling.

- Install the cultivator to the machine with bolts.

## Finishing Brush

### Adjustment of Finishing Brush

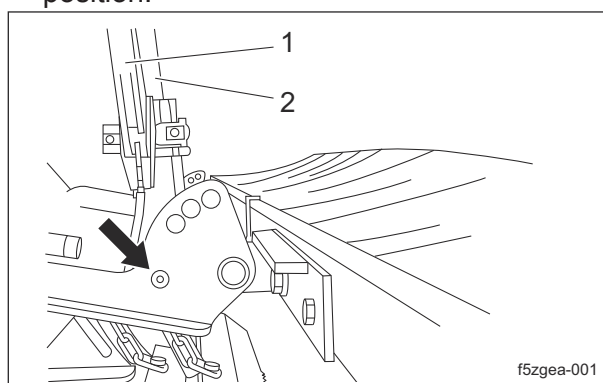
**Note:**  
Depending on the specifications, this function may not be available.

The height of the finishing brush can be adjusted by moving the right and left movable arms while gripping the right and left clutch levers.

Return the clutch levers after adjusting the height of the brush on the ground according to the bunker conditions.

The mounting height can be adjusted to one of four levels.

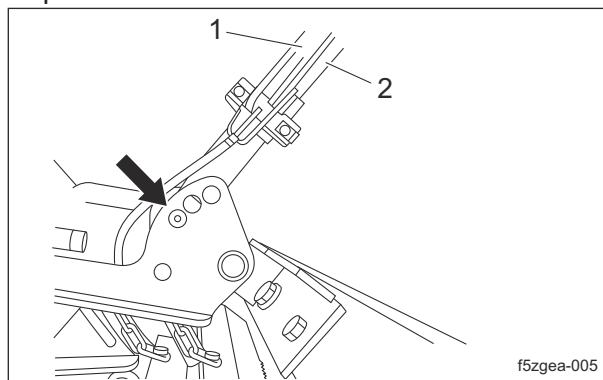
- When traveling, adjust to the lowest position.



Adjustment of Finishing Brush\_001

|   |              |
|---|--------------|
| 1 | Clutch lever |
| 2 | Movable arm  |

- When used for light finishing, adjust to the position second from the bottom.

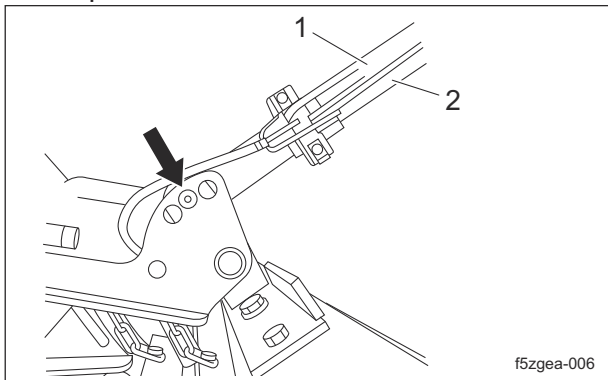


Adjustment of Finishing Brush\_002

|   |              |
|---|--------------|
| 1 | Clutch lever |
| 2 | Movable arm  |

# Maintenance

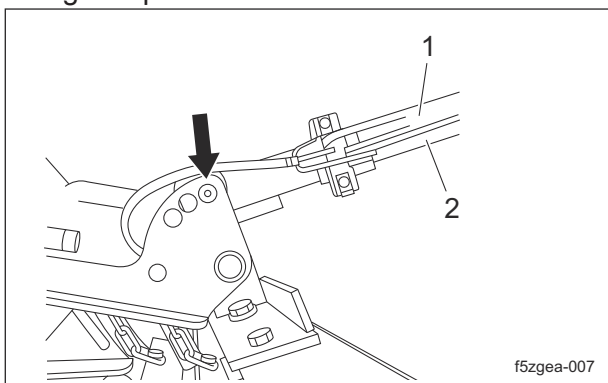
3. When used for normal finishing, adjust to the position third from the bottom.



Adjustment of Finishing Brush\_003

|   |              |
|---|--------------|
| 1 | Clutch lever |
| 2 | Movable arm  |

4. When used for heavy finishing, adjust to the highest position.



Adjustment of Finishing Brush\_004

|   |              |
|---|--------------|
| 1 | Clutch lever |
| 2 | Movable arm  |

## Replacement of Finishing Brush

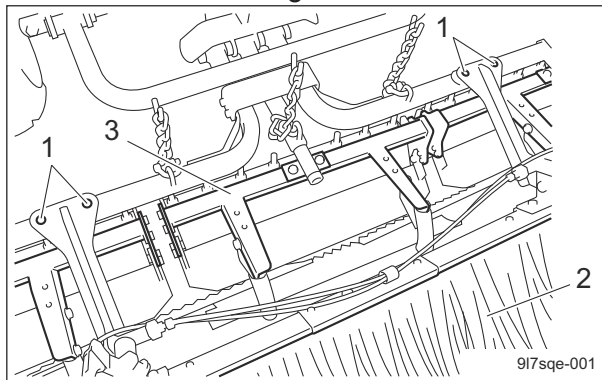
**Note:**  
Depending on the specifications, this function may not be available.

### ⚠ Caution

Be careful since the finishing brush is heavy.

When wear of the finishing brush results in rake tracks remaining, replace the finishing brush.

1. Remove the bolts from the rake, and then remove the finishing brush.



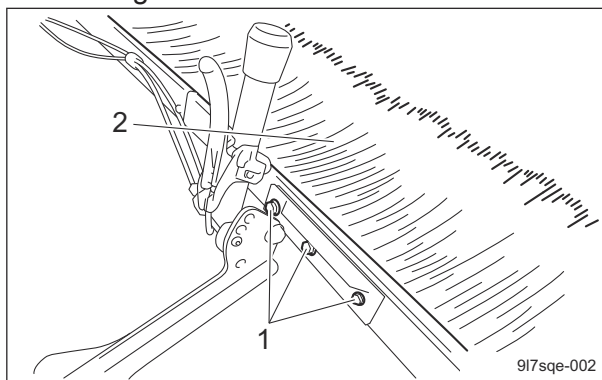
Change of Finishing Brush\_001

|   |                 |
|---|-----------------|
| 1 | Bolt            |
| 2 | Finishing brush |
| 3 | Rake            |

### ⚠ Caution

Place the finishing brush on level surface.

2. Remove the bolts, and then replace the finishing brush.



Change of Finishing Brush\_002

|   |                 |
|---|-----------------|
| 1 | Bolt            |
| 2 | Finishing brush |

3. Tighten the bolts.

## Replacement of Tires

### Replacement of Front Tire

1. Removing a front tire

Follow the steps below to remove the front tire:

- [1] Securely place the jack beneath the jack-up points of the front left/right frame area, and then raise it until the tire lifts off the ground.

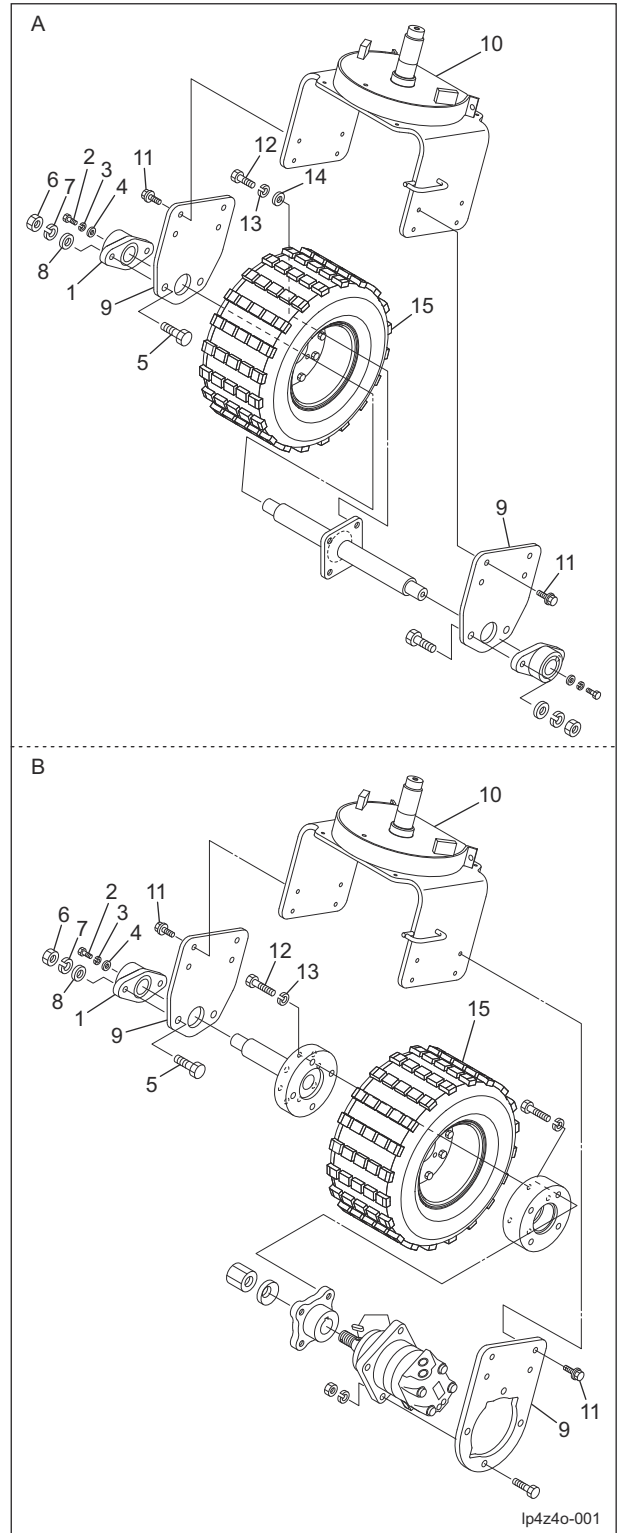
"Jack-Up Points" (Page 6-2)

**Important**

The installed parts differ according to 2WD and 3WD specifications.

- [2] Loosen the lock bolts (2 locations) for the right rhombic flange unit, and then remove bolt A.
- [3] Remove bolt B and nut B of the right rhombic flange unit, and then remove the right rhombic flange unit.
- [4] Remove bolt C, attaching the left and right front wheel bracket to the front wheel arm, and then lower the front wheel to the floor.

- [5] Remove the wheel mounting bolt, and then remove the tire.



Front Tire\_001

Ip4z4o-001

# Maintenance

|    |                     |
|----|---------------------|
| A  | 2WD specifications  |
| B  | 3WD specifications  |
| 1  | Rhombic flange unit |
| 2  | Bolt A              |
| 3  | Spring washer A     |
| 4  | Washer A            |
| 5  | Bolt B              |
| 6  | Nut B               |
| 7  | Spring washer B     |
| 8  | Washer B            |
| 9  | Front wheel bracket |
| 10 | Front wheel arm     |
| 11 | Bolt C              |
| 12 | Wheel mounting bolt |
| 13 | Spring washer C     |
| 14 | Washer C            |
| 15 | Front wheel         |

## 2. Installing a front tire

**Important**

Tighten the bolts in the tightening order (crosswise).

**Important**

Tighten the wheel mounting bolts on the specified torque by using a torque wrench.

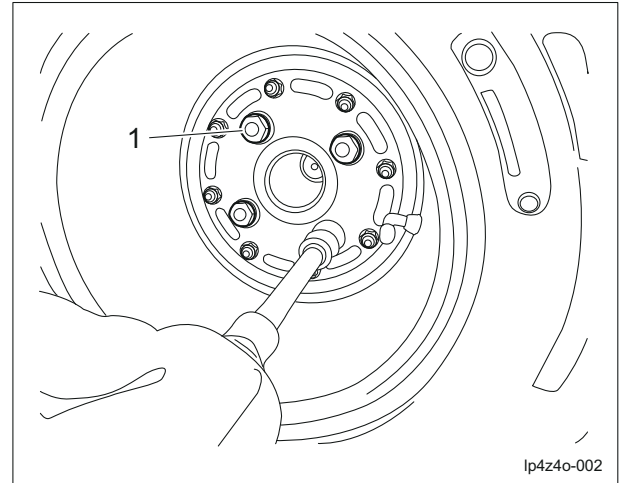
For installing the front tire, reverse the removing procedure.

## Replacement of Rear Tires

### 1. Removing rear tires

Follow the steps below to remove the rear tires:

#### [1] Loosen the bolts.



Rear Tires\_001

|   |      |
|---|------|
| 1 | Bolt |
|---|------|

[2] Securely place the jack beneath the jack-up point of the rear left/right frame area, and then raise it until the tire lifts off the ground.

"Jack-Up Points" (Page 6-2)

[3] Remove the bolts.

[4] Remove the tire from the wheel mounting seat.

### 2. Installing rear tires

**Important**

Tighten the bolts in the tightening order (crosswise).

**Important**

Tighten the wheel mounting bolts on the specified torque by using a torque wrench.

For installing the rear tires, reverse the removing procedure.

## Adjustment of Belt Tension

### Warning

Be sure to stop the engine before adjusting the belts.

### Important

For the specified value of belt tension, refer to Adjusted Values.

Before making sure of belt tension, rotate the belt several times.

|   |                         |
|---|-------------------------|
| 1 | High nut                |
| 2 | Spring cover            |
| 3 | Tension fulcrum fitting |
| 4 | Nut                     |
| 5 | Belt                    |
| 6 | Spring                  |
| 7 | Tension pulley          |
| 8 | Engine pulley           |
| 9 | Pump pulley             |

8. After adjusting the belt tension, check it again.

9. Close the underseat cover.

## Adjustment of Pump Drive Belt

1. Move the machine to a level ground.
2. Apply the parking brake.
3. Lower the brush frame and the bucket.
4. Stop the engine.
5. Open the underseat cover.
6. Check the belt tension.

The belt tension is appropriate when there is approximately 10.0 mm (0.39 in) of slack when the belt is pressed lightly by finger at 98 N (10 kgf) around the center section between the belt pulleys (arrow in the diagram).

7. If the belt slack is incorrect, follow the steps below to adjust it.

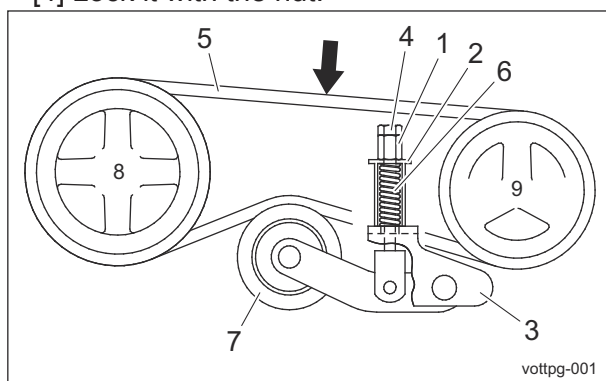
[1] Loosen the nut.

[2] Adjust the belt tension with high nut.

- Tighten the high nut to increase the belt tension.
- Loosen the nut to reduce the belt tension.

[3] Tighten the high nut until there is no clearance between the spring cover and the tension fulcrum fitting.

[4] Lock it with the nut.



Adjustment of Pump Drive Belt\_001

# Maintenance

## Replacement of Hydraulic Oil

**Caution**

Be careful with hot oil, which could cause burns if it contacts your skin.

**Important**

If the oil emulsifies or if it becomes even slightly less transparent, change the oil immediately.

**Important**

When you change the hydraulic oil, be sure to drain it into a bowl and discard it in accordance with local laws and regulations.

**Important**

Use Shell Tellus S2V32 (or equivalent) as hydraulic oil. In case of an equivalent, consult Characteristics of Hydraulic Oil and use hydraulic oil whose characteristics are superior to those of the specific hydraulic oil. Especially regarding kinematic viscosity and viscosity index, use of hydraulic oil whose figures are less than those of the specified hydraulic oil will cause a malfunction in the hydraulic circuit.

**Note:**

**Characteristics of Hydraulic Oil**

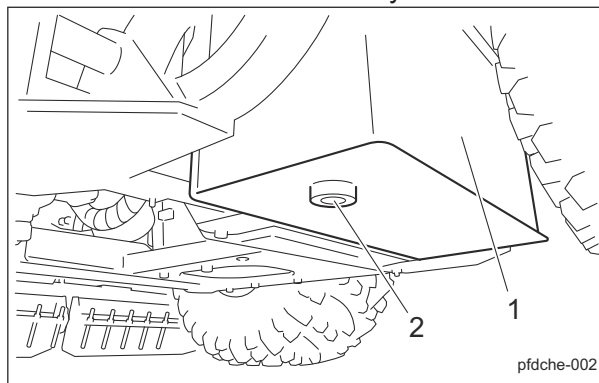
|                         |                 |   |
|-------------------------|-----------------|---|
| Specified Hydraulic Oil |                 | Shell Tellus S2V32                                      |
| ISO Viscosity Grade     |                 | ISO VG32  |
| Density                 | 15 °C (59 °F)   | 0.869 g/cm <sup>3</sup><br>(0.0313 lb/in <sup>3</sup> ) |
| API Gravity             |                 | 31.3  |
| Flash Point (Open Cup)  |                 | 202 °C (396 °F)   |
| Pour Point              |                 | -40 °C (-40 °F)   |
| Kinematic Viscosity     | 40 °C (104 °F)  | 32 mm <sup>2</sup> /s (32 cSt)                          |
|                         | 100 °C (212 °F) | 6.1 mm <sup>2</sup> /s (6.1 cSt)                        |
| Viscosity Index         |                 | 141   |

1. Follow the steps below to remove the old oil.
  - [1] Start and run the engine to warm up the oil.

- [2] On a level surface, lower the rake, and then stop the engine.

- [3] Remove the drain plug of the hydraulic tank, and then drain the old oil into a container.

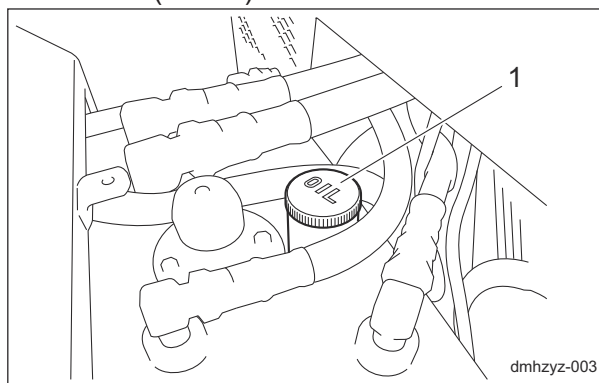
- [4] Wind new sealing tape on the drain plug, and then attach it to the hydraulic tank.



Change of Hydraulic Oil\_001

|   |                |
|---|----------------|
| 1 | Hydraulic tank |
| 2 | Drain plug     |

2. Open the tank cap, and then pour new oil from the fill port until the oil level reaches the middle of the oil gauge on the hydraulic tank. The hydraulic tank capacity is approximately 15.0 dm<sup>3</sup> (15.0 L).



Change of Hydraulic Oil\_002

|   |          |
|---|----------|
| 1 | Tank cap |
|---|----------|

3. Tighten the tank cap securely.
4. Start the engine, raise and lower the rake, and repeatedly move forward and backward several times with the rake raised.
5. Lower the rake and maintain that position on a level surface, and then check to see if the oil level is at the middle of the oil gauge. If necessary, supply oil.
6. Check underneath the machine for oil leakage.

## Replacement of Hydraulic Oil Filter

**⚠ Caution**

Be careful with hot oil, which could cause burns if it contacts your skin.

**Important**

If the hydraulic oil emulsifies or if it becomes even slightly less transparent, change the oil immediately.

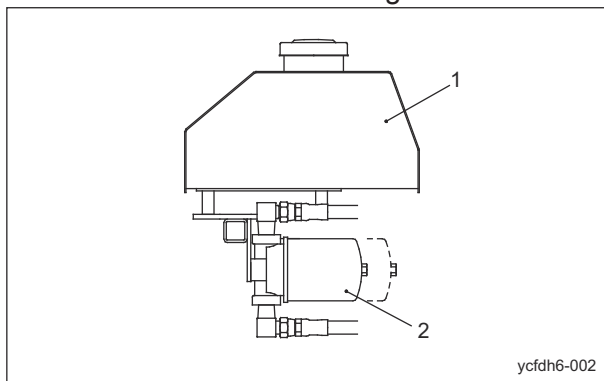
**Important**

When replacing the hydraulic oil filter, be sure to drain the oil into a container and discard it in accordance with local laws and regulations.

**Important**

Use Shell Tellus S2V32 (or equivalent) as hydraulic oil.

1. Remove the old filter cartridge.



Change of Hydraulic Oil Filter\_001

|   |                  |
|---|------------------|
| 1 | Fuel tank        |
| 2 | Filter cartridge |

2. Lightly coat the packing of the new filter cartridge with hydraulic oil, and then install the cartridge.
3. Screw in the filter by hand until the packing contacts the mounting surface. Then tighten additional 1/2 turn from that point.
4. Supply hydraulic oil until it reaches the specified level.  
"Hydraulic Oil Supply" (Page 5-5)
5. Start the engine, and then stop it after 10 to 20 minutes.

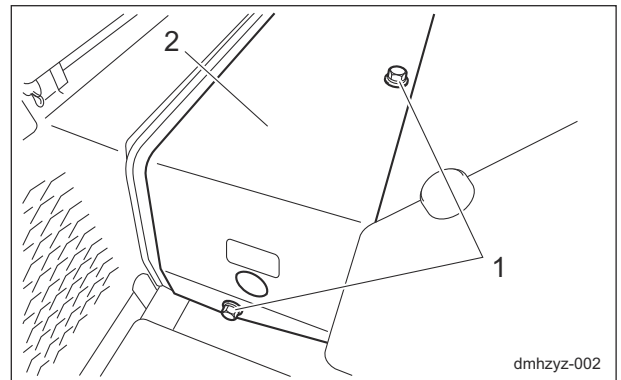
6. Make sure that there is no oil leakage at the sealing surface of the filter cartridge.
7. Check the hydraulic oil level.  
If it is low, supply hydraulic oil until it reaches the specified level.

## Replacement of Air Breather Element

**⚠ Caution**

Be careful with hot oil, which could cause burns if it contacts your skin.

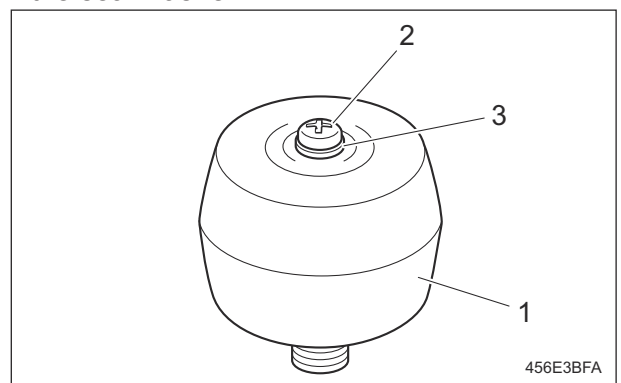
1. Stop the engine on a flat surface.
2. Open the front cover.
3. Remove the bolt, then the cover.



Replacement of Air Breather Element\_001

|   |       |
|---|-------|
| 1 | Bolt  |
| 2 | Cover |

4. Loosen the air breather screw and remove the seal washer.



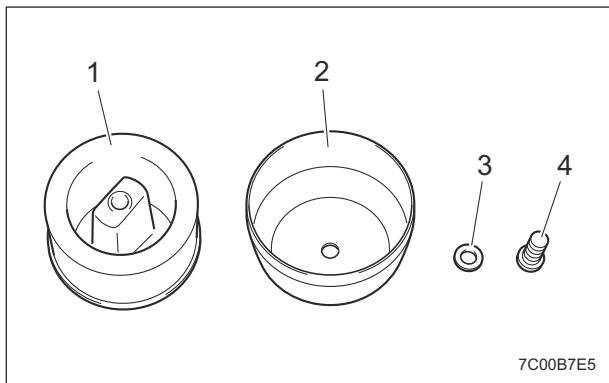
Replacement of Air Breather Element\_002

|   |              |
|---|--------------|
| 1 | Air breather |
| 2 | Screw        |
| 3 | Seal washer  |

5. Remove the top cover of the air breather.

# Maintenance

6. Remove the old element.



Replacement of Air Breather Element\_003

|   |             |
|---|-------------|
| 1 | Element     |
| 2 | Top cover   |
| 3 | Seal washer |
| 4 | Screw       |

7. Install the new element.

**Important**

If the seal washer is damaged, replace it with a new one.

8. Install the top cover of the air breather.

9. Install the seal washer and tighten the screw.

10. Install the cover and tighten the bolt.

11. Close the front cover.

## Replacement of Air Cleaner Element

**Important**

A contaminated air cleaner element may cause malfunction of the engine.

1. The timing for replacing the air cleaner element is described below.

[1] Replace the air cleaner element in accordance with the Maintenance Schedule.

[2] If it is significantly contaminated, replace it, even if the hours of operation do not exceed the specified time.

2. Replace the air cleaner element by following the same steps as for cleaning the air cleaner.

"Cleaning of Air Cleaner Element" (Page 5-7)

## Replacement of Engine Oil

**Caution**

Be careful with hot oil, which could cause burns if it contacts your skin.

**Important**

When you change the engine oil, be sure to drain it into a bowl and discard it in accordance with local laws and regulations.

**Important**

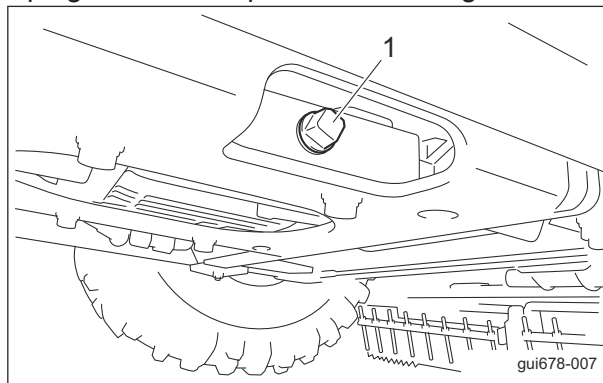
Be sure to use engine oil that is classified as API Service Grade SF or higher, with an SAE Viscosity that is appropriate for the operating environment (ambient temperature).

**Important**

Securely tighten the oil level gauge and oil filler cap.

Change the engine oil more frequently if the engine oil is contaminated and, especially, if you use the machine in dusty areas or operate the engine at high loads or in high temperatures.

1. Move the machine onto a level surface and stop the engine.
2. Remove the drain plug while the engine oil is warm, and then drain the oil into a bowl.
3. Wind new sealing tape around the drain plug, and then replace it in the engine.



Change of Engine Oil\_001

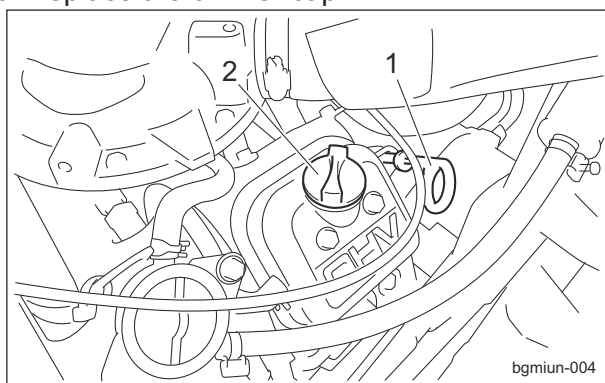
|   |            |
|---|------------|
| 1 | Drain plug |
|---|------------|

4. Remove the oil filler cap, and then supply new engine oil until the oil reaches a level in between the upper and lower limit lines on the oil level gauge.

5. Supply 1.0 dm<sup>3</sup> (1.0 L) of engine oil, remove the oil level gauge, and then insert it all the way to check the oil level.

After checking the oil level with the oil level gauge, add more engine oil if it is insufficient. The engine oil quantity (including the oil filter) is approximately 1.6 dm<sup>3</sup> (1.6 L).

6. Replace the oil filler cap.



Change of Engine Oil\_002

|   |                 |
|---|-----------------|
| 1 | Oil level gauge |
| 2 | Oil filler cap  |

7. It will take a while for the supplied engine oil to descend into the oil pan.

Check the oil level again 10 to 20 minutes after supplying the oil.

## Replacement of Engine Oil Filter

### ⚠ Caution

Be careful with hot oil, which could cause burns if it contacts your skin.

### Important

When replacing the engine oil filter, be sure to drain the engine oil into a container and discard it in accordance with local laws and regulations.

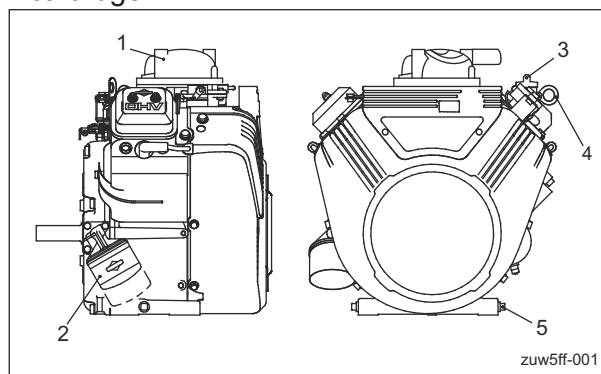
### Important

Be sure to use engine oil that is classified as API Service Grade SF or higher, with an SAE Viscosity that is appropriate for the operating environment (ambient temperature).

### Important

Securely tighten the oil level gauge and oil filler cap.

1. With the filter wrench, remove the old filter cartridge.



Change of Engine Oil Filter\_001

|   |                  |
|---|------------------|
| 1 | Engine           |
| 2 | Filter cartridge |
| 3 | Oil filler cap   |
| 4 | Oil level gauge  |
| 5 | Drain plug       |

2. Lightly coat the packing of the new filter cartridge with engine oil.

3. Hand-tighten the filter cartridge until the packing contacts the sealing surface, and then hand-tighten additional 1/2 to 3/4 turn from that point (without using a filter wrench).

# Maintenance

4. Supply engine oil until it reaches the specified level.  
"Supply of Engine Oil" (Page 5-11)
5. Start the engine, and then stop it after 10 to 20 minutes.
6. Make sure that there is no oil leakage at the sealing surface of the filter cartridge.
7. Check the engine oil level.  
If it is low, supply engine oil until it reaches the specified level.

## Replacement of Fuel Filter

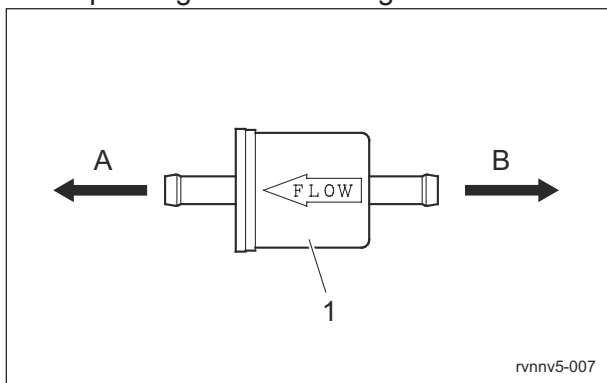
**Important**

While installing the fuel filter, prevent contamination with dirt or dust. The fuel contaminated with dirt or dust will cause engine failure.

**Important**

Since the fuel filter is a cartridge, it cannot be disassembled or cleaned.

1. Remove the old fuel filter.
2. Install a new fuel filter with the arrow marked on it pointing toward the engine.



Replacement of Fuel Filter\_001

|   |             |
|---|-------------|
| 1 | Fuel filter |
| A | Engine      |
| B | Fuel cock   |

## Storage

### Long-Term Storage

Follow the instructions below for long-term storage of the machine.

1. Cleaning
  - Remove dirt, grass clippings, oil stains etc. completely from the main vehicle and engine.
2. Replacing oil
  - Inspect and replace the engine oil, hydraulic oil and element.
3. Greasing and lubricating
  - Supply oil and apply grease to appropriate parts.
4. Battery
  - Remove the negative battery wire.
5. Fuel
  - Remove the fuel from the fuel tank.
6. Tire pneumatic pressure
  - Set the tire air pressure slightly higher than normal, and then place the machine on a board to avoid humidity.
7. Storage location
  - Cover the machine and store it in a dry place where it will not be exposed to rain.

**Precautions for Repair ..... Page 7-2**

**Adjustment and Replacement ..... Page 7-2**

Adjustment of Steering Chain ..... Page 7-2

Adjustment of Brake ..... Page 7-2

Adjustment of The Neutral Position  
of The Piston Pump ..... Page 7-3

Replacement of Fuse ..... Page 7-5

**Towing .....Page 7-5**

Towing The Machine in An  
Emergency .....Page 7-5



# Repair

## Precautions for Repair

### Warning

The chapter "Repair" in this manual describes practical measures which should be performed by a mechanic with expertise. The owner should instruct the mechanic with expertise to perform repair service for this machine.

### Caution

First, learn well the operations you plan to perform.

### Important

Use tools appropriate for each operation.

### Important

Use Baroness genuine parts for replacement and accessories. Our product warranty may be void if you use non-genuine parts for replacement or accessories.

## Adjustment and Replacement

### Adjustment of Steering Chain

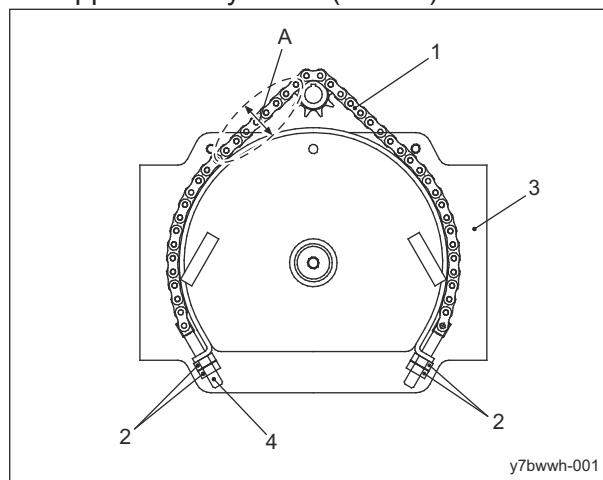
Excessive play with a loose steering chain may stretch the chain further while you may feel a heavy steering wheel with an excessively tight chain and the chain and wheel may wear prematurely.

### Important

Make sure that the steering chain has the specified amount of slack.

1. Open the front cover.

2. With the nuts on each end of the steering chain, adjust the chain tension so that there is approximately 5 mm (0.20 in) of slack.



Adjustment of Steering Chain\_001

|   |                  |
|---|------------------|
| 1 | Steering chain   |
| 2 | Nut              |
| 3 | Front wheel arm  |
| 4 | Adjustment screw |
| A | 5 mm (0.20 in)   |

3. After making adjustments, firmly secure the nuts.

### Adjustment of Brake

### Caution

Make sure that the brake wire is not cracked or damaged.

### Caution

If the brake is not sufficiently effective, adjust the brake wire.

### Caution

Perform the adjustment with the engine stopped.

Adjust the brake by tightening the brake wire adjustment bolt and the spring rod.

### Adjustment of Adjustment Bolt

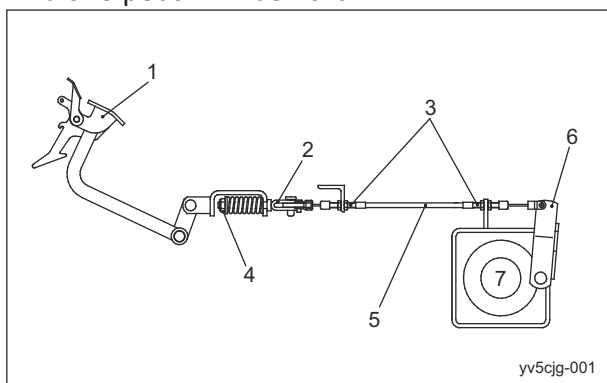
When the brake wire is stretched, the play of the brake pedal may become large, the braking effectiveness may become worse and the brake pedal may lock.

**Important**

Adjust the play of the brake lever so that it is as small as possible and the brakes do not drag when the lever is released.

Adjust the brake wire adjustment bolts to adjust the pull length for the brake lever.

- If the brake lever play is too large, the braking power will be decreased and the brake pedal will be soft.
- If the brake lever play is too small, the braking power will be increased and the brake pedal will be hard.



Adjustment of Adjustment Bolt\_001

|   |                 |
|---|-----------------|
| 1 | Brake pedal     |
| 2 | Spring rod      |
| 3 | Adjustment bolt |
| 4 | Nut             |
| 5 | Brake wire      |
| 6 | Brake lever     |
| 7 | Rear wheel      |

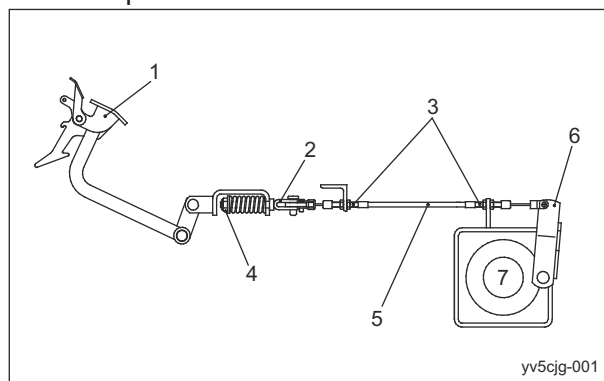
### Adjustment of Spring Rod

If the spring becomes shorter from depressing the brake pedal, the brakes may become insufficiently effective.

Adjust the spring rod nut to adjust the braking power and operating force of the brake pedal.

- If the brake lever play is too large, the braking power will be weak and the brake pedal will be soft.

- If the brake lever play is too small, the braking power will be excessive and the brake pedal will be hard.



Adjustment of Spring Rod\_001

|   |                 |
|---|-----------------|
| 1 | Brake pedal     |
| 2 | Spring rod      |
| 3 | Adjustment bolt |
| 4 | Nut             |
| 5 | Brake wire      |
| 6 | Brake lever     |
| 7 | Rear wheel      |

### Break-In of Brakes

If the brake shoes or brake pads are worn, replace them with new ones.

Immediately after replacement, drive to break in the brakes if the effectiveness of the brakes is low.

While driving, lightly operate the brakes to break in the contact areas.

### Adjustment of The Neutral Position of The Piston Pump

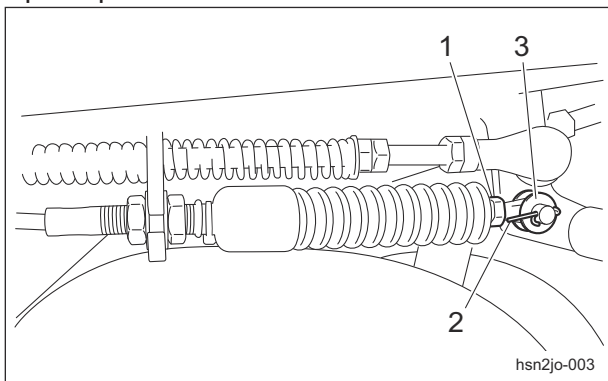
If the machine moves forward or backward while the traveling pedals are released, they are not set to the neutral position.

Follow the steps below to make adjustments.

1. Stop the engine.

# Repair

- Remove the cotter pin and washer at the pedal end, and then remove the end of the push-pull cable.



Adjusting The Neutral Position of The Piston Pump\_001

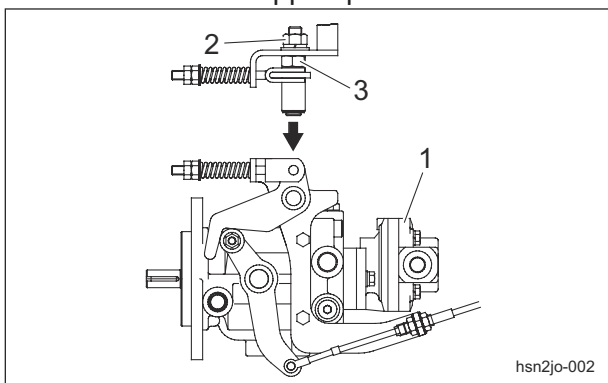
|   |                 |
|---|-----------------|
| 1 | Push-pull cable |
| 2 | Cotter pin      |
| 3 | Washer          |

- Place the jacks securely beneath the jack-up points, and then lift the machine off the ground. Use stable jack stands, and raise the machine until the tires lift off the ground. "Jack-Up Points" (Page 6-2)
- Start the engine, and rev it up to the maximum rpm.
- Set the 2WD/3WD selector lever to the "2WD" position.

**Warning**

When adjusting the neutral position, exercise care so that the hand does not get entangled in the rotating parts.

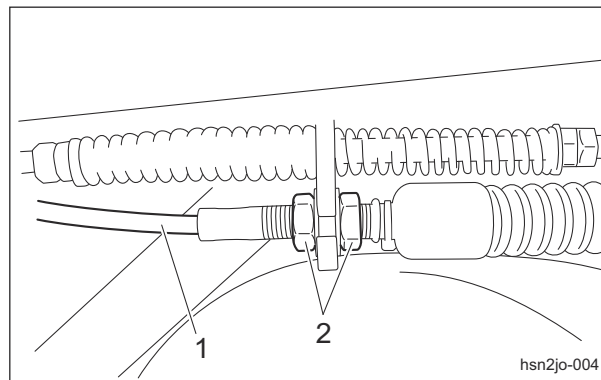
- Slowly turn the camshaft until the rear wheel stops, and then use the nut to lock the camshaft at the stopped position.



Adjustment of The Neutral Position of The Piston Pump\_002

|   |             |
|---|-------------|
| 1 | Piston pump |
| 2 | Nut         |
| 3 | Camshaft    |

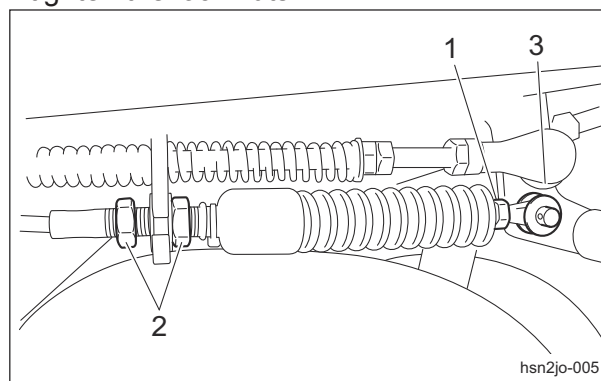
- Loosen the lock nuts.



Adjustment of The Neutral Position of The Piston Pump\_003

|   |                 |
|---|-----------------|
| 1 | Push-pull cable |
| 2 | Lock nuts       |

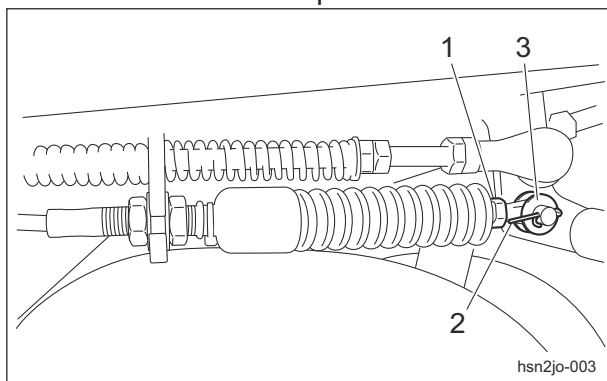
- Adjust the end of the push-pull cable at the pedal end so that it attaches to the connection point on the pedal, and then tighten the lock nuts.



Adjustment of The Neutral Position of The Piston Pump\_004

|   |                           |
|---|---------------------------|
| 1 | Push-pull cable           |
| 2 | Lock nuts                 |
| 3 | Connection point on pedal |

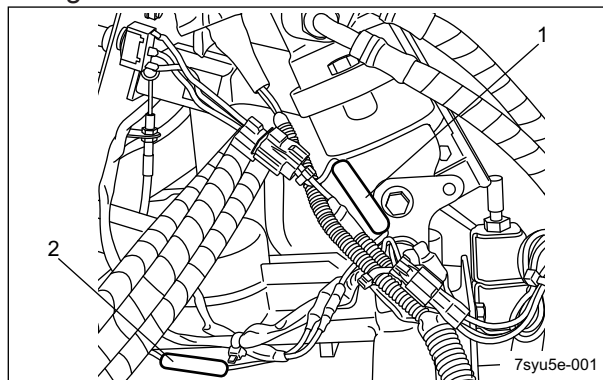
9. Insert the push-pull cable, and then install the washer and cotter pin.



Adjustment of The Neutral Position of The Piston Pump\_005

|   |                 |
|---|-----------------|
| 1 | Push-pull cable |
| 2 | Cotter pin      |
| 3 | Washer          |

· Light harness fuse : Mini blade fuse



Fuses\_001

|   |                    |
|---|--------------------|
| 1 | Main harness fuse  |
| 2 | Light harness fuse |

## Replacement of Fuse

### Important

When performing maintenance on the electrical system, be sure to remove the negative battery wire.

### Important

If a fuse blows, a short may have occurred within the electrical circuit. Check for the cause, such as faulty terminal connections, damaged wiring or terminals, or incorrect wiring.

### Important

For fuse replacement, clean the fuse mounting area with use of compressed air before mounting the fuse.

## Fuses

The fuses are located at the lower right inside the front cover and consist of the light harness fuse and the main harness fuse for the entire circuit.

The fuse capacities are both 20 A.

- Main harness fuse : Glass fuse

## Towing

### Towing The Machine in An Emergency

If the machine does not travel due to engine trouble, etc., you can move it by towing it.

### ⚠ Caution

Do not tow the machine on a slope.

### Important

Do not touch the unload valve except when towing the machine.

### Important

Before restarting the engine, be sure to close the bypass.

### Important

When towing the machine, obey the following restrictions.

- Speed: Do not travel at a speed more than 3.0 km/h.
- Time: Do not tow the machine for more than 3 minutes.

When towing the machine for more than 3 minutes, start the engine and circulate the hydraulic oil in the hydraulic circuit.

Therefore, do not tow the machine until restart the engine after completed repairs.

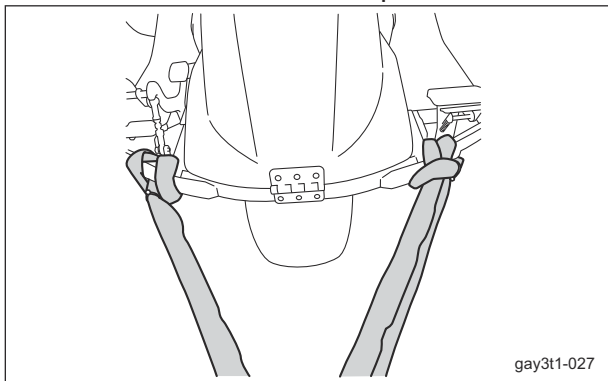
Obey the speed and the time restrictions to prevent damaging the pump or motor.

1. Stop the engine.
2. Apply the parking brake.

# Repair

3. Chock the wheels.

4. Secure the machine with ropes.



Towing The Machine in An Emergency\_001

5. Release the cover fastener.

6. Open the rear cover, and then lift it until the gas spring is fully extended.

### Important

When pushing in the unload valve operating pins, be careful about overtightening the bolts. It will damage the unload valve operating pins.

### Important

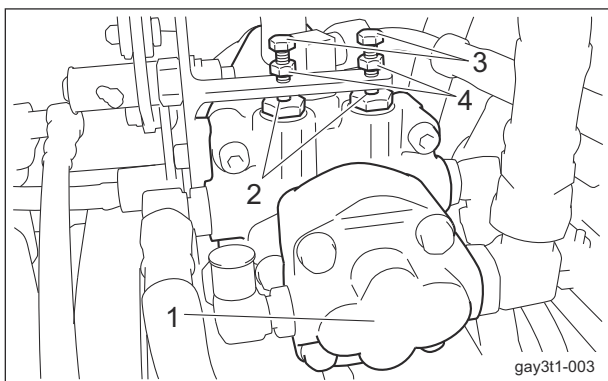
For unloading, be sure to open the two unload valves. Opening only one unload valve will cause the hydraulic system to malfunction.

7. Open the bypass.

[1] Loosen the lock nut on each of the two unload valves.

[2] Tighten the two bolts to push in the unload valve operating pins.

[3] Tighten the lock nut on each of the two unload valves.



Towing The Machine in An Emergency\_002

|   |                             |
|---|-----------------------------|
| 1 | Piston pump                 |
| 2 | Unload valve operating pins |
| 3 | Bolt                        |
| 4 | Lock nut                    |

8. Remove the wheel stopper.

9. Release the parking brake.

### Warning

While towing, always keep your foot on the brake pedal so that you can depress the brake pedal at any time to stop.

10. Tow the machine slowly.

11. After towing is completed, close the bypass.

[1] Loosen the lock nut on each of the two unload valves.

[2] Loosen the two bolts to return the unload valve operating pins to their original positions.

[3] Tighten the lock nut on each of the two unload valves.

# Appended Table

---

**Tightening Torques** .....Page 8-2

Standard Tightening Torques .....Page 8-2

Principal Tightening Torques ..... Page 8-5

**Maintenance Schedule** ..... Page 8-6

**List of Adjusted Values** ..... Page 8-7

# Appended Table

---

## Tightening Torques

**Important**

Refer to the Tightening Torque table.  
Note that the Baroness product warranty may not apply to defects caused by incorrect or overtorque tightening, etc.

## Standard Tightening Torques


### Bolts and Nuts



**Important**

A number of bolts are used in each part of this machine.  
Be sure to re-tighten the bolts and nuts, because they may be loosened at the earlier stage of the use.

- As to the bolts and nuts without any special instruction, tighten them in appropriate tightening torque with proper tool.  
Too much tightening may cause the looseness or damage of the screw.
- The strength of tightening is determined by types of screws, strength, the friction of thread face or base face and others.  
The table below is for the galvanized or parkerized bolts.  
In case that the strength of internal thread is weak, it is not applied.
- Do not use rusty or sand attached "screw."  
Otherwise, it may cause insufficient tightening even if you apply the specified tightening torque.  
The friction of the screw face becomes higher and the tightening torque is canceled out by the friction, therefore sufficient tightening cannot be applied.
- If "screw" is wet by water or oil, do not tighten it with normal tightening torque.  
If the screw is wet, the torque coefficient will get smaller and it may result in too much tightening.  
Too much tightening may cause looseness by the screw stretched or result in damage.
- Do not use a bolt experienced too much burden.
- Using the impact wrench requires the skill.  
Do exercise as much as possible for steady tightening.

# Appended Table

| Nominal diameter | General bolt  |                     |                     |
|------------------|---|---------------------|---------------------|
|                  | Strength classification 4.8   |                     |                     |
|                  | <br>tib3yb-001 |                     |                     |
|                  | N-m   | kgf-cm              | lb-in               |
| M5               | 3 - 5   | 30.59 - 50.99       | 26.55 - 44.26       |
| M6               | 7 - 9   | 71.38 - 91.77       | 61.96 - 79.66       |
| M8               | 14 - 19   | 142.76 - 193.74     | 123.91 - 168.17     |
| M10              | 29 - 38   | 295.71 - 387.49     | 256.68 - 336.34     |
| M12              | 52 - 67   | 530.24 - 683.20     | 460.25 - 593.02     |
| M14              | 70 - 94   | 713.79 - 958.52     | 619.57 - 831.99     |
| M16              | 88 - 112  | 897.34 - 1142.06    | 778.89 - 991.31     |
| M18              | 116 - 144   | 1,182.85 - 1,468.37 | 1,026.72 - 1,274.54 |
| M20              | 147 - 183   | 1,498.96 - 1,866.05 | 1,301.10 - 1,619.73 |
| M22              | 295   | 3,008.12            | 2,611.05            |
| M24              | 370   | 3,772.89            | 3,274.87            |
| M27              | 550   | 5,608.35            | 4,868.05            |
| M30              | 740   | 7,545.78            | 6,549.74            |

| Nominal diameter | Heat-treated bolt   |                     |                     |   |                     |                     |
|------------------|---|---------------------|---------------------|---|---------------------|---------------------|
|                  | Strength classification 8.8   |                     |                     | Strength classification 10.9  |                     |                     |
|                  | <br>tib3yb-002 |                     |                     | <br>tib3yb-003 |                     |                     |
|                  | N-m   | kgf-cm              | lb-in               | N-m   | kgf-cm              | lb-in               |
| M5               | 5 - 7   | 50.99 - 71.38       | 44.26 - 61.96       | 7 - 10  | 71.38 - 101.97      | 61.96 - 88.51       |
| M6               | 8 - 11  | 81.58 - 112.17      | 70.81 - 97.36       | 14 - 18   | 142.76 - 183.55     | 123.91 - 159.32     |
| M8               | 23 - 29   | 234.53 - 295.71     | 203.57 - 256.68     | 28 - 38   | 285.52 - 387.49     | 247.83 - 336.34     |
| M10              | 45 - 57   | 458.87 - 581.23     | 398.30 - 504.51     | 58 - 76   | 591.43 - 774.97     | 513.36 - 672.68     |
| M12              | 67 - 85   | 683.20 - 866.75     | 593.02 - 752.34     | 104 - 134   | 1,060.49 - 1,366.40 | 920.50 - 1186.03    |
| M14              | 106 - 134   | 1,080.88 - 1,366.40 | 938.21 - 1,186.03   | 140 - 188   | 1,427.58 - 1,917.04 | 1,239.14 - 1,663.99 |
| M16              | 152 - 188   | 1,549.94 - 1,917.04 | 1,345.35 - 1,663.99 | 210 - 260   | 2,141.37 - 2,651.22 | 1,858.71 - 2,301.26 |
| M18              | 200 - 240   | 2,039.40 - 2,447.28 | 1,770.20 - 2,124.24 | 280 - 340   | 2,855.16 - 3,466.98 | 2,478.28 - 3,009.34 |
| M20              | 245 - 295   | 2,498.27 - 3,008.12 | 2,168.50 - 2,611.05 | 370 - 450   | 3,772.89 - 4,588.65 | 3,274.87 - 3,982.95 |
| M22              | -   | -                   | -                   | 530   | 5,404.41            | 4,691.03            |
| M24              | -   | -                   | -                   | 670   | 6,831.99            | 5,930.17            |
| M27              | -   | -                   | -                   | 1,000   | 10,197.00           | 8,851.00            |
| M30              | -   | -                   | -                   | 1,340   | 13,663.98           | 11,860.34           |

**Note:**  
The same values are applied to "fine screw thread."

## Appended Table

---

### Hydraulic Hose

The tightening torques for union joints and union adaptors with parallel pipe threads (G, PF) are shown in the table below.

A union joint or adaptor will not become loose or leak as long as it is tightened by the specified torque.

If fluid leaks from the sealed portion, do not attempt to tighten the union joint or adaptor forcibly.

Examine whether any foreign matter or scratches are present on the seat surface.

Tightening a union joint or adaptor forcibly could damage the connection of the joints.

When tightening a union joint or adaptor, use a torque wrench where possible and firmly tighten it by an appropriate torque.

| Nominal diameter of the hose size | Nominal diameter of the parallel pipe threads (G, PF) | Tightening torque |          |          |
|-----------------------------------|---|-------------------|----------|----------|
|                                   |   | N-m               | kgf-cm   | lb-in    |
| 6                                 | 1/4   | 25                | 254.93   | 221.28   |
| 9                                 | 3/8   | 50                | 509.85   | 442.55   |
| 12                                | 1/2   | 60                | 611.82   | 531.06   |
| 15                                | 3/4   | 120               | 1,223.64 | 1,062.12 |
| 19                                | 3/4   | 120               | 1,223.64 | 1,062.12 |
| 25                                | 1   | 140               | 1,427.58 | 1,239.14 |
| 32                                | 1-1/4   | 170               | 1,733.49 | 1,504.67 |
| 38                                | 1-1/2   | 210               | 2,141.37 | 1,858.71 |
| 50                                | 2   | 250               | 2,549.25 | 2,212.75 |

### Fittings with Parallel Threads (O-Ring Seal Type)

The tightening torques for fittings with parallel threads (O-ring seal method) are shown in the table below.

Tightening the fitting forcibly with a spanner or other such tool to secure it to a set position could damage the fitting, its washers, and other parts.

When tightening an adjustable elbow, use a torque wrench where possible and firmly tighten it by an appropriate torque.

| Nominal diameter of thread | Tightening torque |                     |                     |
|----------------------------|-------------------|---------------------|---------------------|
|                            | N-m               | kgf-cm              | lb-in.              |
| 1/4                        | 34.32 - 49.03     | 349.96 – 499.96     | 303.77 – 433.96     |
| 3/8                        | 68.65 - 78.45     | 700.02 – 799.95     | 607.62 – 694.36     |
| 1/2                        | 98.07 - 117.68    | 1,000.02 – 1,199.98 | 868.02 – 1,041.59   |
| 3/4                        | 147.10 - 176.52   | 1,499.98 – 1,799.97 | 1,301.98 – 1,562.38 |
| 1                          | 245.17 - 274.59   | 2,500.00 – 2,799.99 | 2,170.00 – 2,430.40 |
| 1-1/4                      | 294.20            | 2,999.96            | 2,603.96            |
| 1-1/2                      | 294.20            | 2,999.96            | 2,603.96            |
| 2                          | 392.27            | 3,999.98            | 3,471.98            |

# Appended Table

## Principal Tightening Torques

### Tightening Torque by Model

SP05A

Tighten the following bolts and nuts at the torque specified in the table.

For thread locking adhesive, apply a middle strength thread locker (ThreeBond 1322 or equivalent anaerobic sealant).

| Location                  |                     | Code          | Part name                     | Tightening torque |                     |                     | Thread locking adhesive |
|---------------------------|---------------------|---------------|-------------------------------|-------------------|---------------------|---------------------|-------------------------|
|                           |                     |               |                               | N-m               | kgf-cm              | lb-in               |                         |
| 2WD front wheel           | Front wheel bracket | K0000100202   | Bolt, M10-20                  | 29 - 38           | 295.71 - 387.49     | 256.68 - 336.34     | —                       |
|                           | Wheel               | K0011120302   | Bolt, heat-treated M12-30P1.5 | 67 - 85           | 683.20 - 866.75     | 593.02 - 752.34     | —                       |
|                           | Rhombic flange unit | K0661205000   | Rhombic flange unit UCFL205   | —                 | —                   | —                   | M6 set screw            |
| 3WD front wheel           | Front wheel bracket | K0000100202   | Bolt, M10-20                  | 29 - 38           | 295.71 - 387.49     | 256.68 - 336.34     | —                       |
|                           | Motor mounting base | K0160000492   | 24 special nut P1.5           | 180 - 200         | 1835.46 - 2039.40   | 1593.18 - 1770.20   | —                       |
|                           | Wheel               | K0014120602   | Bolt, heat-treated M12-60P1.5 | 67 - 85           | 683.20 - 866.75     | 593.02 - 752.34     | —                       |
|                           | Spacer              | K0014120502   | Bolt, heat-treated M12-50P1.5 | 67 - 85           | 683.20 - 866.75     | 593.02 - 752.34     | —                       |
|                           | Rhombic flange unit | K0661205000   | Rhombic flange unit UCFL205   | —                 | —                   | —                   | M6 set screw            |
| Front wheel arm           |                     | K0010100502   | Bolt, heat-treated M10-50     | 29 - 38           | 295.71 - 387.49     | 256.68 - 336.34     | —                       |
| Rear wheel                | Wheel               | K0011120302   | Bolt, heat-treated M12-30P1.5 | 67 - 85           | 683.20 - 866.75     | 593.02 - 752.34     | —                       |
|                           | Wheel mounting base | K0160000492   | 24 special nut P1.5           | 180 - 200         | 1,835.46 - 2,039.40 | 1,593.18 - 1,770.20 | M24 screw               |
| Oil cooler port fitting   |                     | K3006000022-Y | ELBOW, ODD SIZED PT1/2*PF3/8  | 10 - 25           | 101.97 - 254.93     | 88.51 - 221.28      | —                       |
| Proximity switch NO V-out |                     | K0000050202   | BOLT, M5-20                   | 2.5               | 25.49               | 22.13               | —                       |

# Appended Table

## Maintenance Schedule

SP05A

Follow the maintenance schedule below.

- . . . Inspect, adjust, supply, clean (first time)
- . . . Inspect, adjust, supply, clean
- ▲ . . . Replace (first time)
- △ . . . Replace

| Maintenance Item                                   |                                    | Before work | After work | Every 8 hrs. | Every 10 hrs. | Every 50 hrs. | Every 100 hrs. | Every 200 hrs. | Every 250 hrs. | Every 300 hrs. | Every 400 hrs. | Every 500 hrs. | Every year | Every 2 years | Every 3 years | Every 4 years | Remarks |
|--|------------------------------------|-------------|------------|--------------|---------------|---------------|----------------|----------------|----------------|----------------|----------------|----------------|------------|---------------|---------------|---------------|---------|
| Engine   | Tightening the parts               | ○           |            |              |               |               |                |                |                |                |                |                |            |               |               |               |         |
|  | Fuel                               | ○           |            |              |               |               |                |                |                |                |                |                |            |               |               |               |         |
|  | Fuel and oil leaks                 | ○           |            |              |               |               |                |                |                |                |                |                |            |               |               |               |         |
|  | Air cleaner                        | ○           |            |              |               |               |                |                |                |                |                |                |            |               |               |               |         |
|  | Engine oil                         | ○           |            | ▲            |               | △             |                |                |                |                |                |                |            |               |               |               |         |
|  | Engine oil filter                  | ○           |            |              |               | ▲             | △              |                |                |                |                |                |            |               |               |               |         |
|  | Ignition plug                      |             |            |              |               | ○             | △              |                |                |                |                |                |            |               |               |               |         |
|  | Oil cooler                         | ○           |            |              |               |               |                |                |                |                |                |                |            |               |               |               |         |
|  | Battery                            | ○           |            |              |               |               |                |                |                |                |                |                |            |               | △             |               |         |
|  | Battery fluid                      | ○           |            |              |               |               |                |                |                |                |                |                |            |               |               |               |         |
|  | Cleaning the exterior              |             | ○          |              |               |               |                |                |                |                |                |                |            |               |               |               |         |
| Main vehicle                                       | Tightening the parts               | ○           |            |              |               |               |                |                |                |                |                |                |            |               |               |               |         |
|  | Tightening the wheel mounting bolt |             |            |              |               | ●             | ○              |                |                |                |                |                |            |               |               |               |         |
|  | Interlock system                   | ○           |            |              |               |               |                |                |                |                |                |                |            |               |               |               |         |
|  | Electrical wiring                  |             |            |              |               |               |                |                |                |                |                |                | ○          |               |               |               |         |
|  | Steering chain                     | ○           |            |              |               |               |                |                |                |                |                |                |            |               |               |               |         |
|  | Greasing, oiling                   |             |            |              |               | ○             |                |                |                |                |                |                |            |               |               |               |         |
|  | Tire                               | ○           |            |              |               |               |                |                |                |                |                |                |            |               |               |               |         |
|  | V-belt                             | ○           |            |              |               |               |                |                |                |                |                |                |            | △             |               |               |         |
|  | Brake                              | ○           |            |              |               |               |                |                |                |                |                |                |            |               |               |               |         |
|  | Wire                               | ○           |            |              |               |               |                |                | △              |                |                |                |            |               |               |               |         |
|  | Cover                              | ○           |            |              |               |               |                |                |                |                |                |                |            |               |               |               |         |
|  | Oil leakage                        | ○           |            |              |               |               |                |                |                |                |                |                |            |               |               |               |         |
|  | Hydraulic oil                      | ○           |            |              |               |               |                | ▲              |                |                |                |                | △          |               |               |               |         |
|  | Hydraulic oil filter               |             |            |              |               |               |                | ▲              |                |                |                |                | △          |               |               |               |         |
|  | Air breather element               |             |            |              |               |               |                | ▲              |                |                |                |                | △          |               |               |               |         |
|  | Hydraulic hose (moving part)       | ○           |            |              |               |               |                |                |                |                |                |                |            |               | △             |               |         |
| Hydraulic hoses (Moving part) relating to steering |                                    |             |            |              |               |               |                |                |                |                |                |                |            | △             |               |               |         |
| Hydraulic hose (fixed part)                        | ○                                  |             |            |              |               |               |                |                |                |                |                |                |            |               |               | △             |         |

# Appended Table

| Maintenance Item |                       | Before work | After work | Every 8 hrs. | Every 10 hrs. | Every 50 hrs. | Every 100 hrs. | Every 200 hrs. | Every 250 hrs. | Every 300 hrs. | Every 400 hrs. | Every 500 hrs. | Every year | Every 2 years | Every 3 years | Every 4 years | Remarks                               |
|------------------|-----------------------|-------------|------------|--------------|---------------|---------------|----------------|----------------|----------------|----------------|----------------|----------------|------------|---------------|---------------|---------------|---------------------------------------|
| Main vehicle     | Air cleaner           | ○           |            |              |               |               |                | △              |                |                |                |                |            |               |               |               | Refer to "Replacement of Air Cleaner" |
|                  | Fuel strainer         | ○           |            |              |               |               | ○              |                |                |                |                |                | △          |               |               |               |                                       |
|                  | Fuel pipe             | ○           |            |              |               |               |                |                |                |                |                |                |            |               |               |               |                                       |
|                  | Fuel hose and clamp   |             |            |              |               |               |                |                |                |                |                |                |            | △             |               |               |                                       |
|                  | Cleaning the exterior |             | ○          |              |               |               |                |                |                |                |                |                |            |               |               |               |                                       |

- For engine maintenance, refer to the Engine's Owner's Manual.
- The values for consumables are not guaranteed.
- Be sure to replace hydraulic hoses for steering cylinder and hydraulic hoses for hydraulic motor of wheel relating to steering every two years.

## List of Adjusted Values

|                 |  |                  |  |
|-----------------|--|------------------|--|
| Pump drive belt |  | 10 mm (0.39 in)  | Belt slack when belt pressed with 98 N (10 kgf) at the middle point between pulleys. |
| Steering chain  |  | 5 mm (0.20 in)   | Steering chain slack   |
| Rake            | Fork depth (standard)                              | 15 mm (0.59 in)  |  |
| Blade           | Arm stopper  | 23 mm (0.91 in)  |  |
|                 | Raised height                                      | 200 mm (7.87 in) |  |
|                 | Exposed length of screw shaft from spherical joint | 65 mm (2.56 in)  |  |
|                 | Exposed length of threaded end of connecting shaft | 20 mm (0.79 in)  |  |
|                 | Installation depth of spherical joint              | 15 mm (0.59 in)  |  |

Appended Table

# Appended Table

---

**BARONESS**<sup>®</sup>  
Quality on Demand

 **KYOEISHA CO., LTD.**  
Head Office 1-26, Miyuki-cho, Toyokawa-city, Tel :+81-533-84-1390  
Aichi-pref, 442-8530 JAPAN Fax:+81-533-84-1220