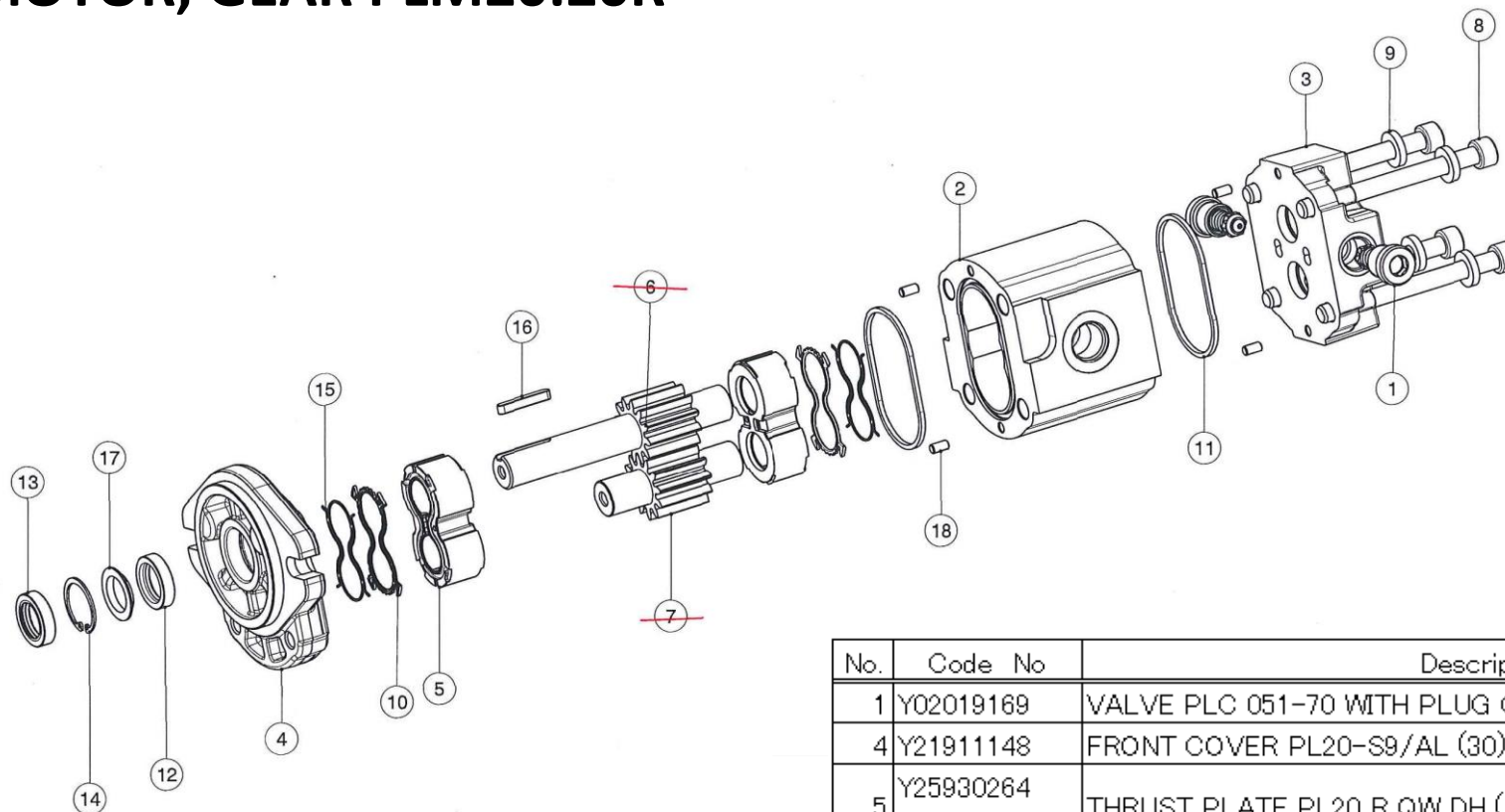


K3282000050 - GM2810 & GM2810A

MOTOR, GEAR PLM20.20R



No.	Code No	Description	Qty
1	Y02019169	VALVE PLC 051-70 WITH PLUG GEOMET 321/A PLUS M	2
4	Y21911148	FRONT COVER PL20-S9/AL (30)	1
5	Y25930264 ⇒Y25930023	THRUST PLATE PL20 R QW DH (ES)	2
10	Y39656112	SEAL PL20 R N T.N	2
11	Y39666195	STANDARD SEAL PL 20 SQUARE SECTION	2
12	Y39916500	SHAFT SEAL BAD 20X30X7	1
13	Y39951000	SHAFT SEAL BASL 20X30X7	1
14	Y40661000	RING 30 UNI 7437-DIN 472	1
15	Y41387112	ANTIEXTRUSION Z PL20 R T.N	2
16	Y42700003	KEY A 5X5X32 UNI 6604 -280 HB-	1
18	Y49270000	DOWEL PIN MM5x10 UNI1707 H8	4