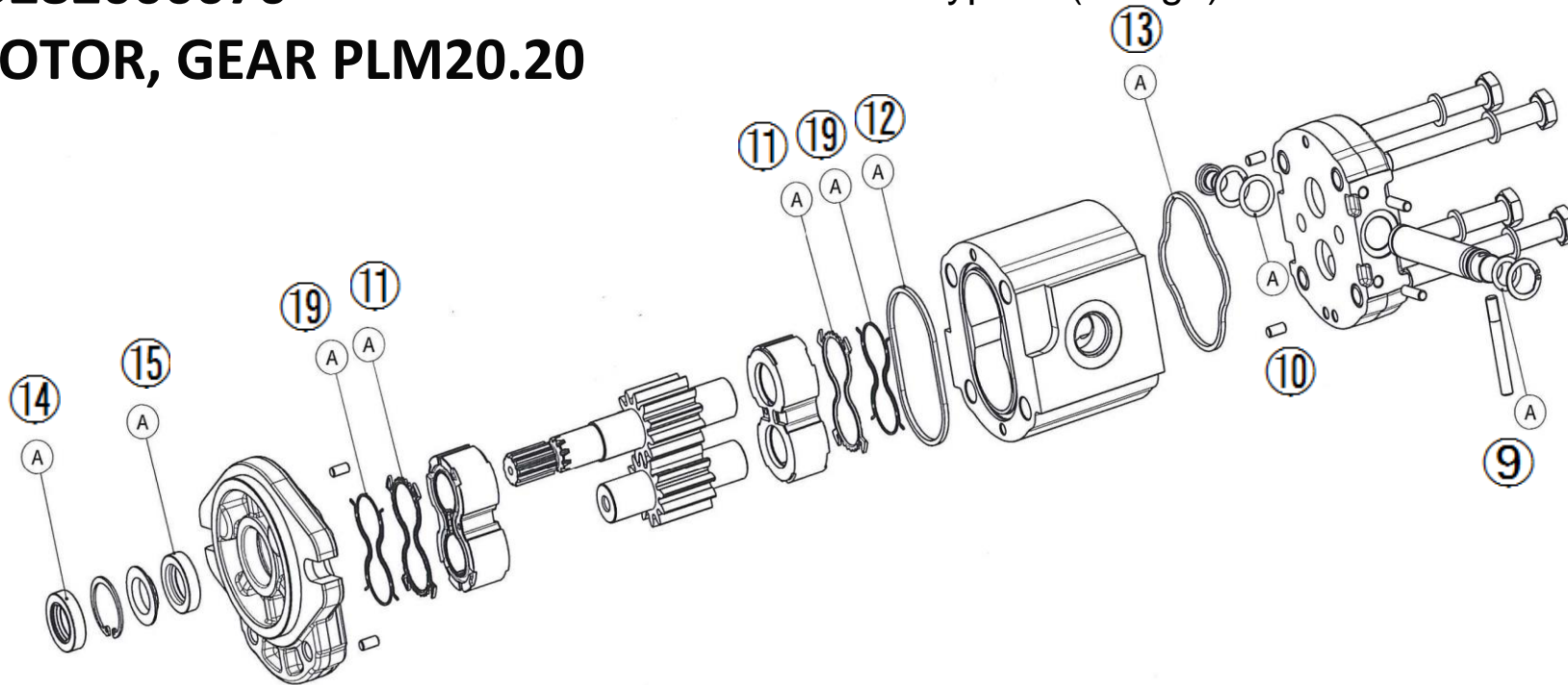


# K3282000070 - LM351 - LM3210 & LM3210A Type R (Rough) MOTOR, GEAR PLM20.20



## Y62029050 SEAL KIT PLM20-01S9 R

No.	Code No.	Description	Qty
9	Y38879990	O-RING, PH5-615 90GRA SH.A(11,91X2,62)	1
10	Y38879995	O-RING, PH2-114 90GRA SH.A(15,54X2,62)	1
11	Y39656112	SEAL PL20 R N T.N	2
12	Y39666195	STANDARD SEAL PL 20 SQUARE SECTION	1
13	Y39666210	SEAL PL 20 S7 SQUARE SECTION	1
14	Y39700000	SHAFT SEAL BABSL	1
15	Y39800000	SHAFT SEAL BAU2	1
19	Y41387112	ANTIEXTRUSION Z PL20 R T.N	2