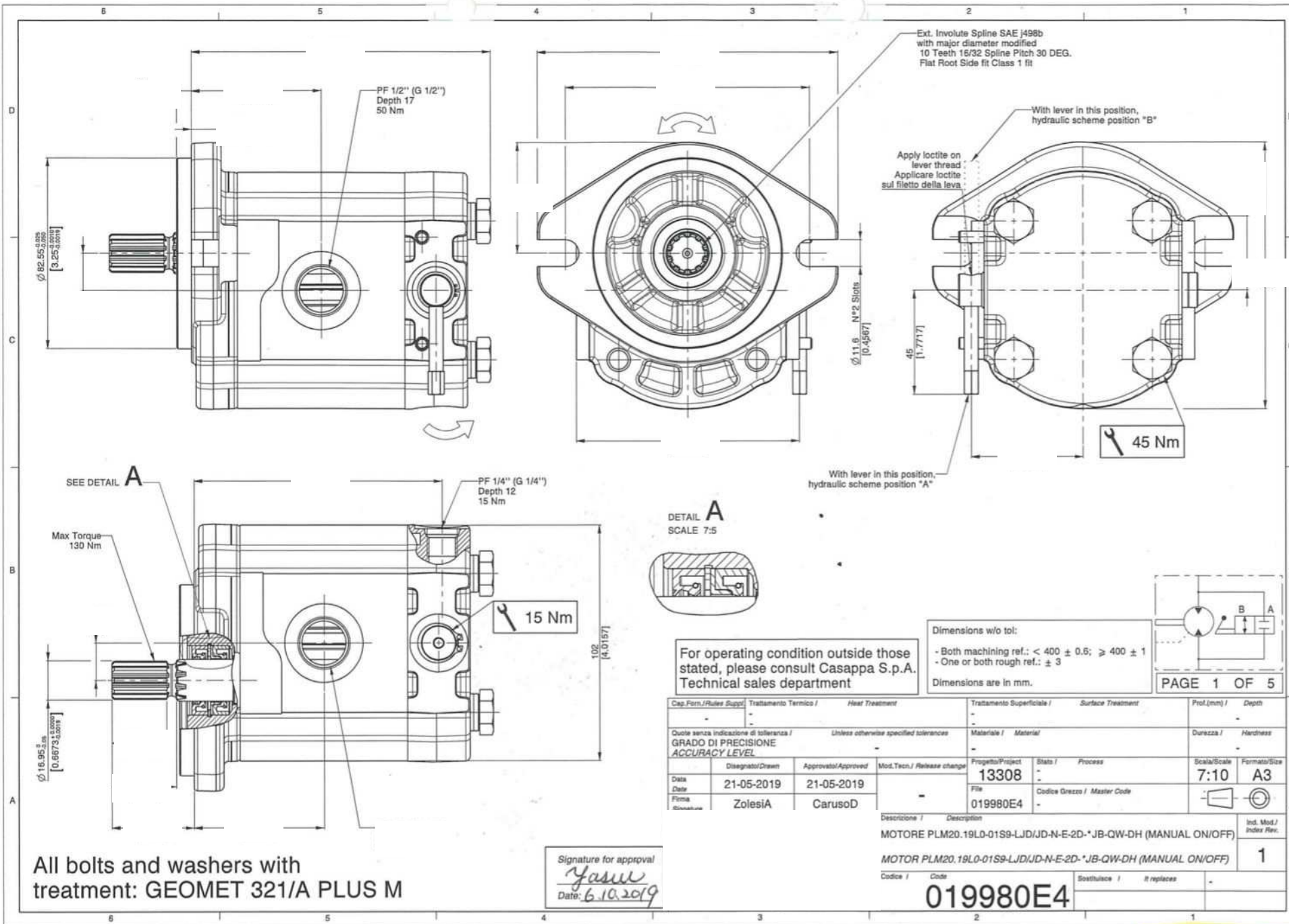


K3282000080 for LH62, LH66, LS62 and LS66 cutting units for LM551's and LM531's.



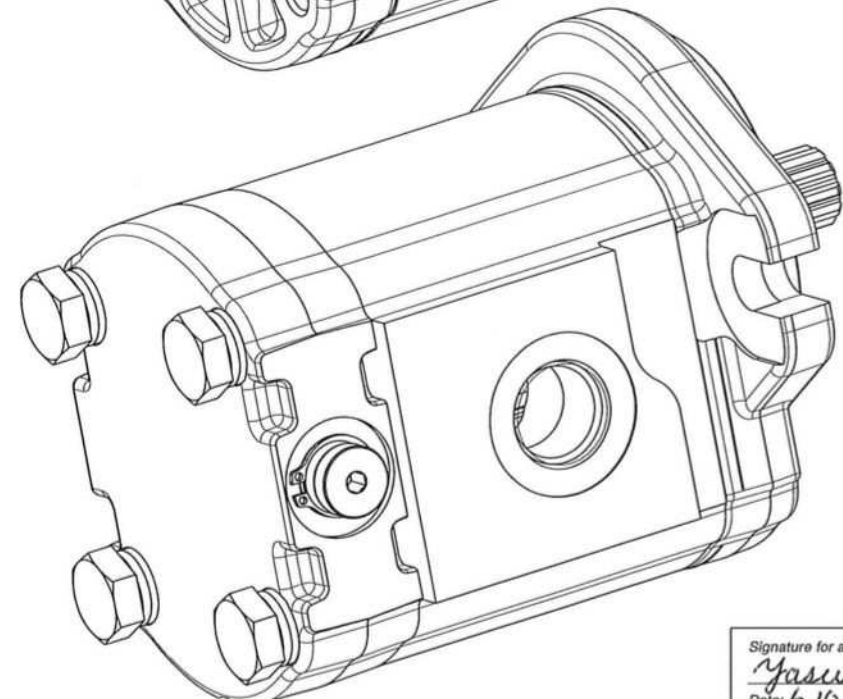
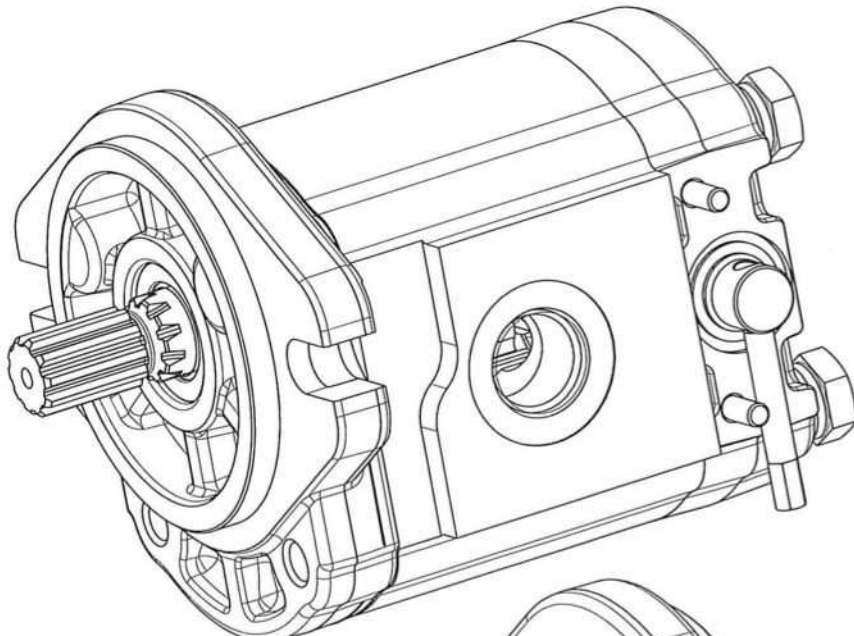
All bolts and washers with treatment: GEOMET 321/A PLUS M

Signature for approval
Yasul
Date: 6.10.2019

019980E4

LM551

K3282000080



Signature for approval
Yasun
 Date: 6.10.2019

For operating condition outside those stated, please consult Casappa S.p.A. Technical sales department

MOTOR DATA

Senso di rotazione (guardando l'albero conduttore) Direction of rotation (looking on drive shaft)		Reversibile (L) Reversible (L)
Cilindrata - Displacement		19.89 [cm ³ /rev]
Pressione max continua - Max continuous pressure	P1	170 [bar]
Pressione max intermittente - Max intermittent pressure	P2	187 [bar]
Pressione max picco - Max peak pressure	P3	204 [bar]
Pressione max sullo scarico dei motori unidirezionali Max back pressure for single rotation motors	P1 (cont.)	- [bar]
	P2 (20 s)	- [bar]
	P3 (8 s)	- [bar]
Pressione max sul drenaggio dei motori reversibili Max drain line pressure on the reversible rotation motors		5 [bar]
Velocità - Speed	min P1	500 [min ⁻¹]
	max P1	3000 [min ⁻¹]
Guarnizioni - Seals type		NBR
Temperatura minima - Min temperature		- 25 [°C]
Temperatura massima - Max temperature	continuous	+ 80 [°C]
	peak	+ 100 [°C]
Campo di viscosità - Viscosity range	recommended	12 to 100 mm ² /s (cSt)
	permitted	max 750 mm ² /s (cSt)
Classe di contaminazione raccomandata per il fluido Recommended fluid contamination class	$\Delta p > 200 \text{ bar}$ $\beta x = 75 - 10 \mu\text{m}$	8 - Nas 1638 19/17/14 - ISO 4406
	$\Delta p < 200 \text{ bar}$ $\beta x = 75 - 25 \mu\text{m}$	10 - Nas 1638 21/19/16 - ISO 4406
Codice del prototipo - Prototype code		PRT14066
Codice cliente - Customer code		K328200080
Valvola di massima pressione - Relief valve		- [bar]
Pressione di stand-by valvola LS - Stand-by pressure LS valve		- [bar]
Peso - Weight		4.070 [kg]
Vernice - Painting		-
Trattamenti speciali - Special treatment		-

Independently from the max rated pressure values indicated in the table, the max admissible torque of the output shaft and (when applicable) of connecting hub(s) must be respected. Consequently it could be necessary to limit the max working pressures accordingly.

Indipendentemente dai valori di massima pressione riportati in tabella, devono essere rispettate le coppie massime ammissibili su alberi e/o mozzoli di trascinamento. Pertanto potrebbe risultare necessario limitare le pressioni massime di esercizio di conseguenza.

Cap.Forn./Rules Suppl.	Trattamento Termico / Heat Treatment	Trattamento Superficiale / Surface Treatment	Prof.(mm) / Depth
-	-	-	-
Quote senza indicazione di tolleranza / GRADO DI PRECISIONE ACCURACY LEVEL	Unless otherwise specified tolerances		Durezza / Hardness
-	-		-
Data / Date	Disegnato/Drawn	Approvato/Approved	Mod.Tecn. / Release change
21-05-2019	21-05-2019	-	-
Firma / Signature	ZolesiA	CarusoD	Progetto/Project
			13308
			Stato / Process
			-
			File
			019980E4
			Codice Grezzo / Master Code
			-
			Scala/Scale
			1:1
			Formato/Size
			A3

CASAPPA
FLUID POWER DESIGN

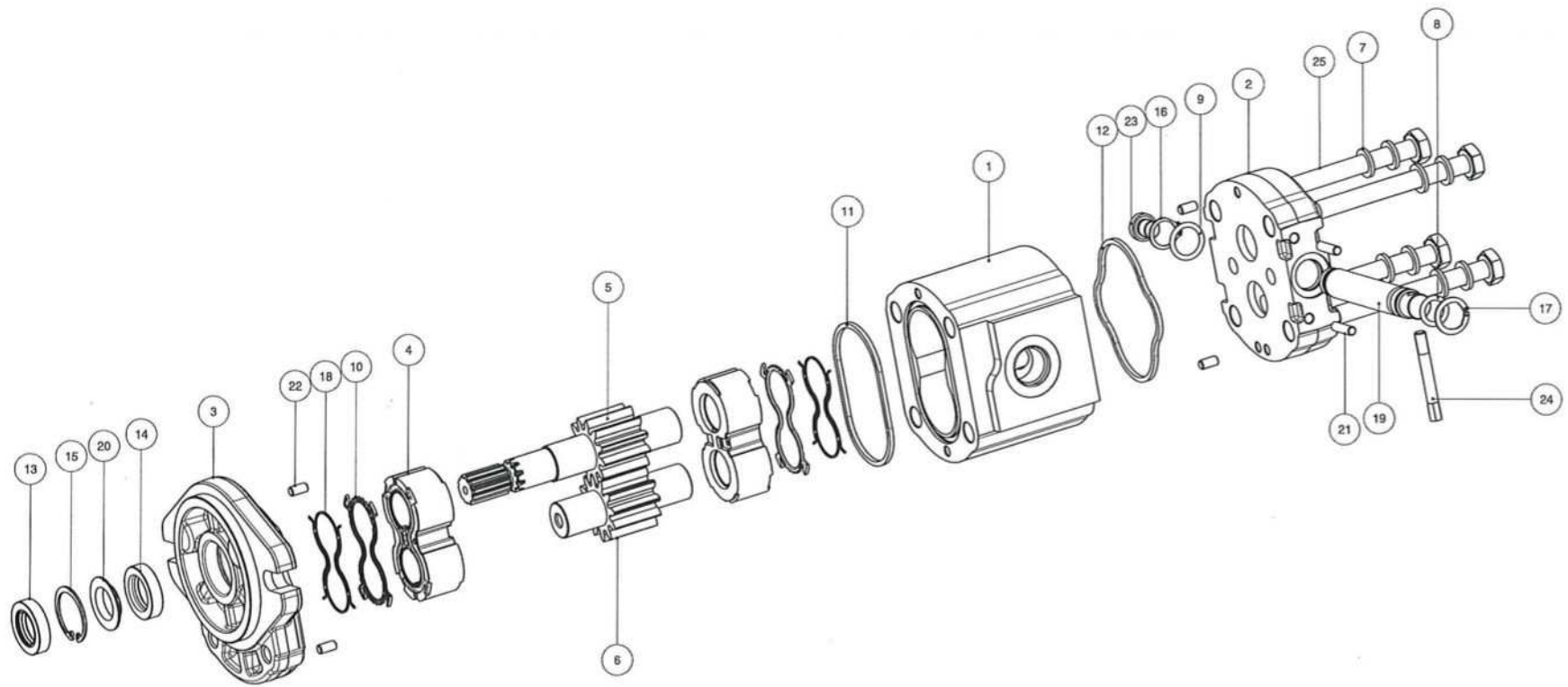
The information hereon is the property of CASAPPA Spa. Without written permission, any copying, transmittal to others and any use except that for which it's loaned, is prohibited.

Descrizione / Description
 MOTORE PLM20.19L0-01S9-LJD/JD-N-E-2D-*JB-QW-DH (MANUAL ON/OFF) (L101)(GMT)(KYO)(INT TOL)

MOTOR PLM20.19L0-01S9-LJD/JD-N-E-2D-*JB-QW-DH (MANUAL ON/OFF) (L101)(GMT)(KYO)(INT TOL)

Codice / Code
019980E4

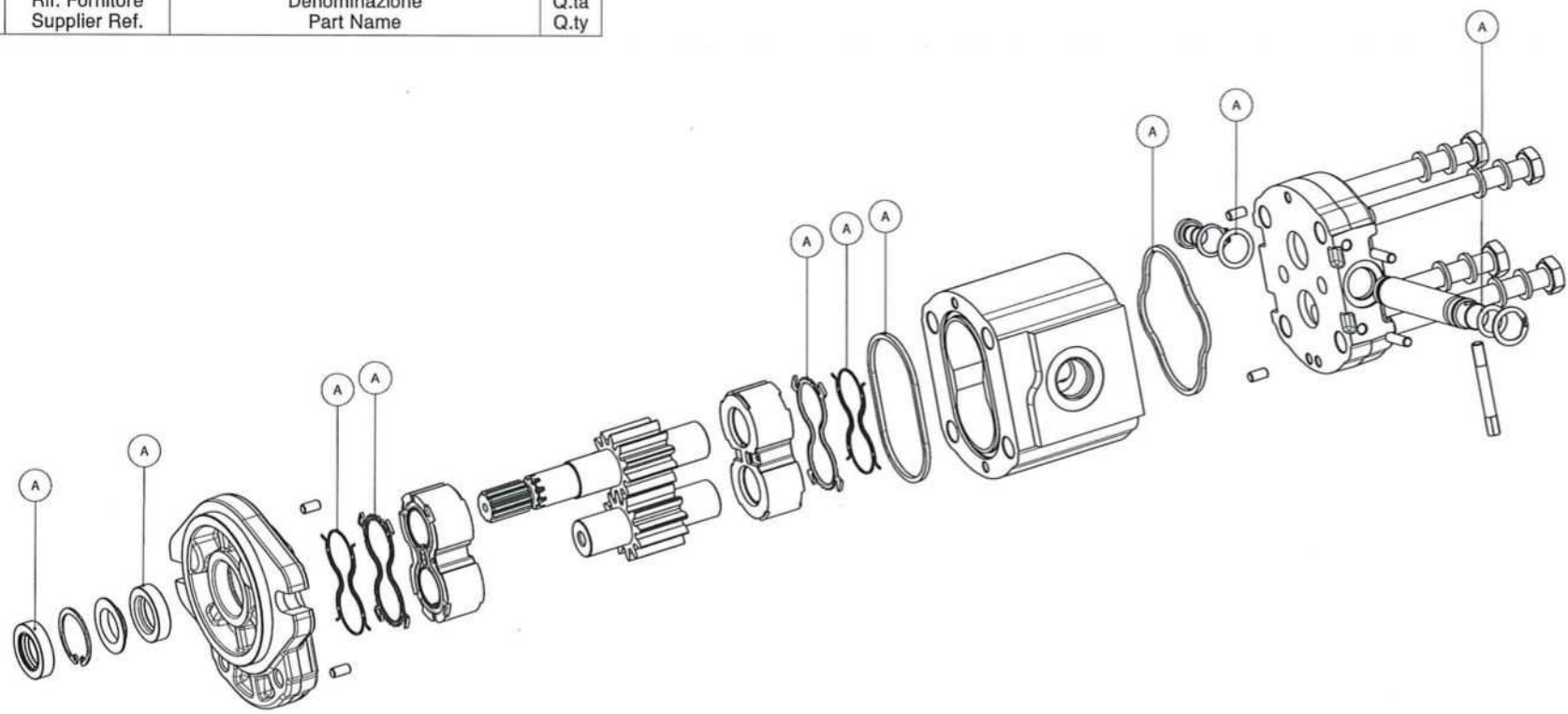
Ind. Mod./ Index Rev.
1



Cap.Forn./Rules Suppl	Trattamento Termico / Heat Treatment		Trattamento Superficiale / Surface Treatment		Prof.(mm) / Depth
-	-		-		-
Quote senza indicazioni di tolleranza / Unless otherwise specified tolerances			Materiale / Material		Durezza / Hardness
GRADO DI PRECISIONE / ACCURACY LEVEL			-		-
	Disegnato/Drawn	Approvato/Approved	Mod.Tecn./ Release change	Progetto/Project	Stato / Process
Date	21-05-2019	21-05-2019	-	13308	-
Firma / Signature	Zolesia	CarusoD	-	File	Scala/Scale
				019980E4	5:12
				Codice Grezzo / Master Code	Formato/Size
				-	A3
 CASAPPA FLUID POWER DESIGN					Ind. Mod./ Index Rev.
Descrizione / Description MOTORE PLM20.19L0-01S9-LJD/JD-N-E-2D-*JB-QW-DH (MANUAL ON/OFF) (L101)(GMT)(KYO)(INT TOL) MOTOR PLM20.19L0-01S9-LJD/JD-N-E-2D-*JB-QW-DH (MANUAL ON/OFF) (L101)(GMT)(KYO)(INT TOL)					1
The information hereon is the property of CASAPPA Spa. Without written permission, any copying, transmittal to others and any use except that for which it's loaned, is prohibited.			Codice / Code	Sostituisce / It replaces	
			019980E4	-	

YCAを頭につける

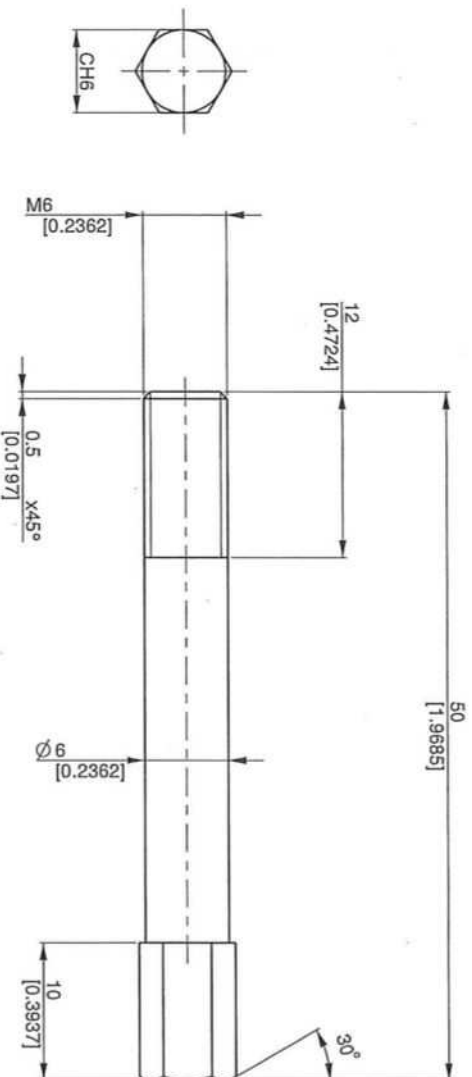
A	62029050	SERIE GUARNIZIONI PLM20-01S9 R (KYO) SEALS KIT PLM20-01S9 R (KYO)	1
N. R.	Rif. Fornitore Supplier Ref.	Denominazione Part Name	Q.tà Q.ty



Cap.Forn./Rules Suppl	Trattamento Termico / Heat Treatment	Trattamento Superficiale / Surface Treatment	Prof.(mm) / Depth
-	-	-	-
Quote senza indicazioni di tolleranza / GRADO DI PRECISIONE ACCURACY LEVEL	Unless otherwise specified tolerances	Materiale / Material	Durezza / Hardness
-	-	-	-
Disegnato/Drawn	Approvato/Approved	Mod.Tecn. / Release change	Progetto/Project
Date	21-05-2019	21-05-2019	13308
Firma Signature	ZolesiA	CarusoD	File
			019980E4
Descrizione / Description MOTORE PLM20.19L0-01S9-LJD/JD-N-E-2D-*JB-QW-DH (MANUAL ON/OFF) (L101)(GMT)(KYO)(INT TOL) MOTOR PLM20.19L0-01S9-LJD/JD-N-E-2D-*JB-QW-DH (MANUAL ON/OFF) (L101)(GMT)(KYO)(INT TOL)			Ind. Mod./ Index/Rev. 1
Codice / Code 019980E4			Sostituisce / It replaces -

CASAPPA
FLUID POWER DESIGN

The information hereon is the property of CASAPPA Spa. Without written permission, any copying, transmittal to others and any use except that for which it's loaned, is prohibited.



3.2

PAGE 1 OF 1

Cap./Form/ Rules Suppl. / Trattamento Termico / Heat Treatment		-		-		-		-	
Quote senza indicazione di tolleranza / GRADO DI PRECISIONE ACCURACY LEVEL		Unless otherwise specified tolerances ISO 2768-mK		Trattamento Superficiale / Surface Treatment		Nichelatura chimica / Nickel plating		Prod.(mm) / Depth 0.020	
Disegnato/Drawn		Approvato/Approved		Progetto/Project		Stato / Process		Durezza / Hardness	
Date 20-05-2019		Date 20-05-2019		File 50380004		Codice Grezzo / Master Code		Scala/Scale 2:1	
Firma Zolessi A		Firma Carusod A		Mod. Tecn. / Release change		13305		Formato/Size A4	
Signature		Signature		Description / Descrizione		LEVA DI MANOVRA CASSETTO BY-PASS (NICHELATA) (KYO)		Incl. Mod./ Index Rev. 1	
FLUID POWER DESIGN		CASAPPA		SPOOL OPERATING LEVER BY-PASS (NICKEL PLATED) (KYO)		Codice / Code YCA50380004		Sostituisce / It replaces	
The information hereon is the property of CASAPPA Spa. Without written permission, any copying, transmittal to others and any use except that for which it's loaned, is prohibited.									

スプール操作レバー

YCA 5 項目に付ける

Pos.	Codice Code	Kit	Q.tà Q.ty	Descrizione Description	Indice modifica Index revision		
25	50380004		1	LEVA DI MANOVRA CASSETTO BY-PASS (NICHELATA) (KYO) SPOOL OPERATING LEVER BY-PASS (NICKEL PLATED) (KYO)	1		
24	49468000		1	TAPPO ACCIAIO TCEI 1/8 GAS CON OR 9,25x1,78 STEEL PLUG TCEI G1/8 WITH OR 9,25x1,78	0		
23	49270000		4	SPINA MM.5x10 UNI1707 H8 DOWEL PIN MM.5x10 UNI1707 H8	1		
22	49250020		2	SPINA MM.5X20 ISO 2338-B H8 (INOX) DOWEL PIN MM.5X20 ISO 2338-B H8 (INOX)	0		
21	45620000		1	PIASTRINA PARAOLIO GR.2 BACK-UP WASHER GR.2	3		
20	41461007		1	CASSETTO BY-PASS (KYO) (3) (NICHELATO) SPOOL BY-PASS (KYO) (3) (NICKEL PLATED)	1		
19	41387112	A	2	ANTIESTRUSORE Z PL20 R T.N. ANTIEXTRUSION Z PL20 R T.N.	4		
18	41265025		1	ANELLO A 16x1 V RING A16x1 V	0		
17	40977000		1	ANELLO 15 UNI 7435-DIN 471 RING 15 UNI 7435-DIN 471	0		
16	40661000		1	ANELLO 30 UNI 7437-DIN 472 RING 30 UNI 7437-DIN 472	0		
15	39800000	A	1	PARAOLIO BAU2 18X30X7 SHAFT SEAL BAU2 18X30X7	0		
14	39700000	A	1	PARAOLIO BABSL 18X30X7 SHAFT SEAL BABSL 18X30X7	1		
13	39666210	A	1	GUARNIZIONE PL 20-S7 SEZIONE QUADRATA (KBT) SEAL PL 20 S7 SQUARE SECTION (KBT)	1		
12	39666195	A	1	GUARNIZIONE PL 20 STANDARD SEZIONE QUADRATA STANDARD SEAL PL 20 SQUARE SECTION	1		
11	39656112	A	2	GUARNIZIONE PL20 R T.N. SEAL PL20 R N T.N.	3		
10	38879995	A	1	ANELLO TOROIDALE PH 2-114 90GRA SH.A(15,54X2,62) O-RING SEAL PH 2-114 90GRA SH.A(15,54X2,62)	0		
9	38879990	A	1	ANELLO TOROIDALE PH 5-615 90GRA SH.A (11,91X2,62) O-RING SEAL PH 5-615 90GRA SH.A (11,91X2,62)	0		
8	37583716		8	ROSETTA 10 (10,5x16x2) HV300 GEOMET 321/A WASHER 10 (10,5x16x2) HV300 GEOMET 321/A	0		
7	34409087		4	VITE TE M 10X120 - 5737 - 10.9 GEOMET 321/A PLUS M SCREW TE M 10X120 - 5737 - 10.9 GEOMET 321/A PLUS M	0		
6	27750055		1	INGR.CONDOTTO F-K-PL20.19 DRIVEN GEAR F-K-PL20.19	5		
5	27700064		1	INGR.CONDUTTORE PL20.19-01/FS DRIVE SHAFT PL20.19-01/FS	0		
4	25930023		2	RASAMENTO PL20 R QW DH (ES) THRUST PLATE PL20 R QW DH (ES)	3		
3	21911148		1	COPERCHIO ANT. PL20-S9/AL (30) (DH) FRONT COVER PL20-S9/AL (30) (DH)	5		
2	21600195		1	COPERCHIO POST. PL20-L *JB FEZ7A (KYO)(1) (LAPPATO) REAR COVER PL20-L *JB FEZ7A (KYO)(1) (FINISHED)	1		
1	17000561		1	CORPO PL20.19-LJD/JD (L101) (KYO) (INT TOLL)(SCAR)(RULLATO) F.TIR BODY PL20.19-LJD/JD (L101) (KYO) (INT TOLL)(SCAR)(COLD ROLLED) F.TIR	0		
PAGE 5 OF 5							
Cap.Forn./Rules Suppl/		Trattamento Termico / Heat Treatment		Trattamento Superficiale / Surface Treatment		Prof.(mm) / Depth	
-		-		-		-	
Quote senza indicazione di tolleranza / Unless otherwise specified tolerances				Materiale / Material		Durezza / Hardness	
GRADO DI PRECISIONE ACCURACY LEVEL				-		-	
Disegnato/Drawn		Approvato/Approved		Mod.Tecn./ Release change		Progetto/Project	
Date		21-05-2019		21-05-2019		13308	
Firma Signature		ZolesiA		CarusoD		File	
						019980E4	
Descrizione / Description				Stato / Process		Scala/Scale	
MOTORE PLM20.19LD-01S9-LJD/JD-N-E-2D-*JB-QW-DH (MANUAL ON/OFF) (L101)(GMT)(KYO)(INT TOL)				-		7:10	
MOTOR PLM20.19LD-01S9-LJD/JD-N-E-2D-*JB-QW-DH (MANUAL ON/OFF) (L101)(GMT)(KYO)(INT TOL)				-		A4	
Codice / Code				Codice Grezzo / Master Code		Formato/Size	
019980E4				-		-	
Sostituisce / It replaces				-		-	
Ind. Mod./ Index Rev.				-		-	
						1	

単供給不可
単供給不可



The information hereon is the property of CASAPPA Spa. Without written permission, any copying, transmittal to others and any use except that for which it's loaned, is prohibited.

019980E4