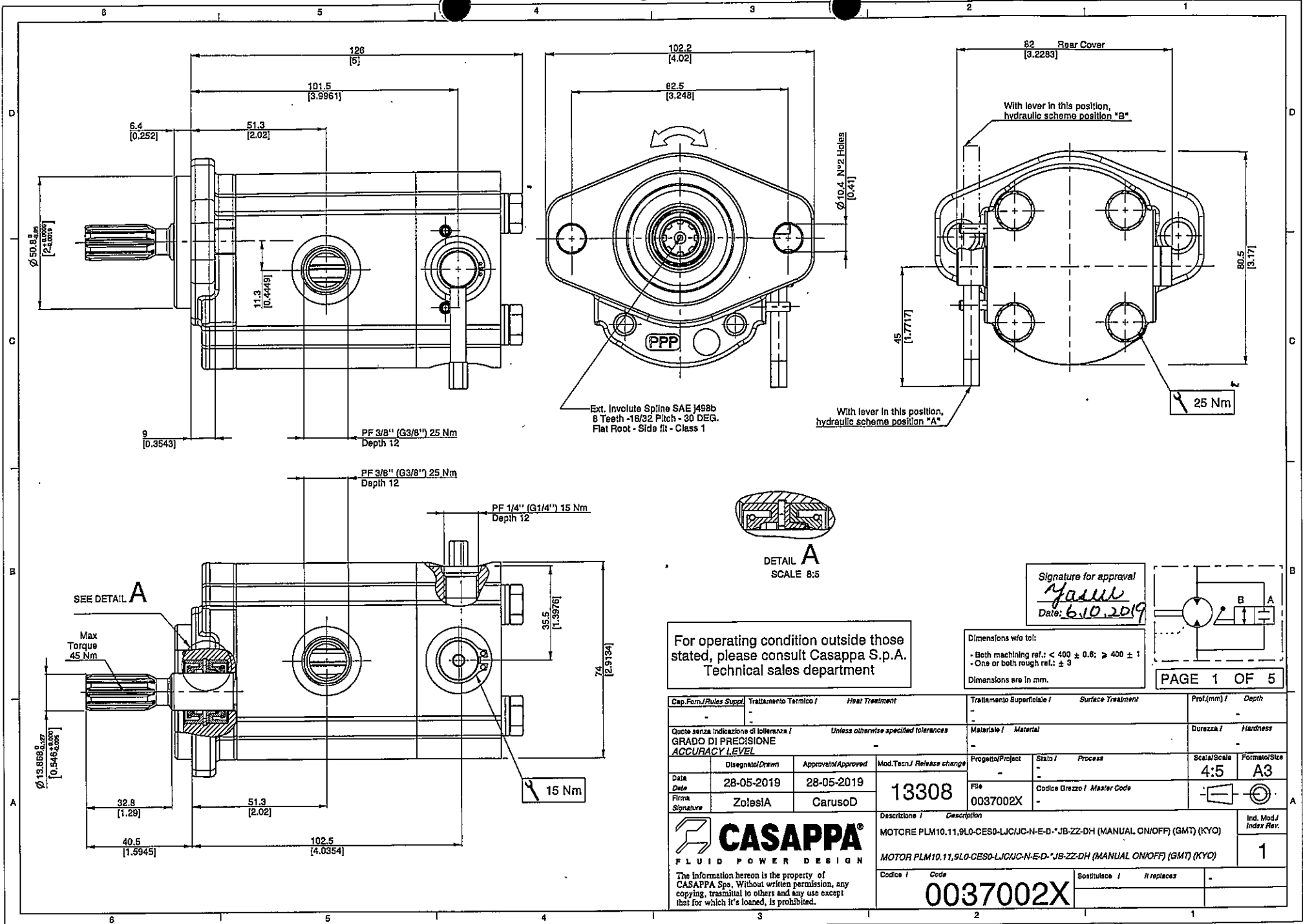
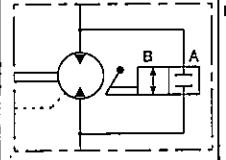


K3282000090 - For LM551 fitted with LH52 cutting units



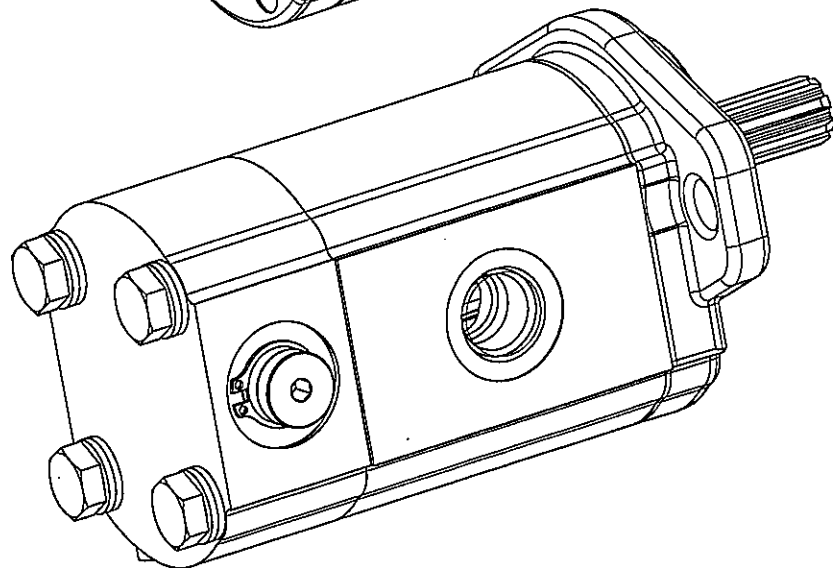
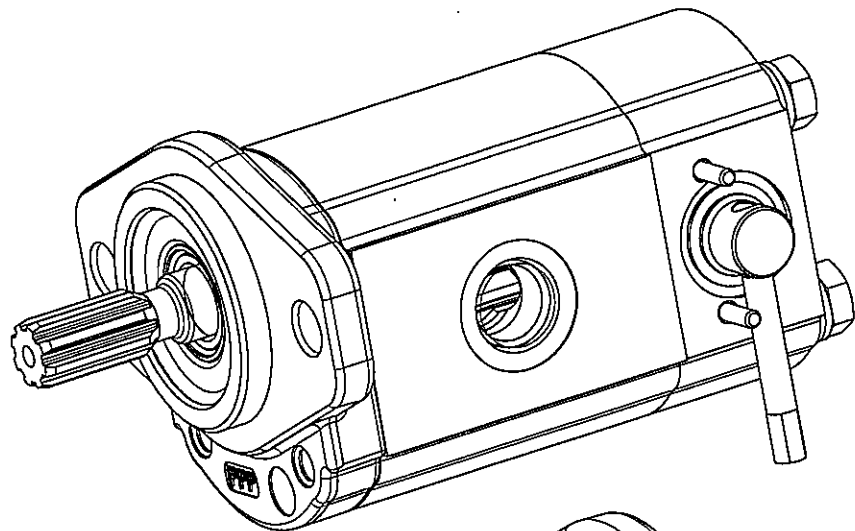
For operating condition outside those stated, please consult Casappa S.p.A. Technical sales department

Signature for approval
Yasuh
 Date: 6.10.2019



Cap.Forn./Piles Suppl	Trattamento Termico / Heat Treatment	Trattamento Superficiale / Surface Treatment	Prof.(mm) / Depth
-	-	-	-
Quote senza indicazione di tolleranza / Unless otherwise specified tolerances		Materiale / Material	Durezza / Hardness
GRADO DI PRECISIONE ACCURACY LEVEL		-	-
Disegnato/Drawn	Approvato/Approved	Mod.Tecn./ Release change	Progetto/Project
Date	28-05-2019	28-05-2019	13308
Firma	Zolesia	CarusoD	File
Signature			0037002X
Descrizione / Description			Ind. Mod./ Index Rev.
MOTORE PLM10.11,8L0-CES0-LIC/NC-N-E-D-*JB-ZZ-DH (MANUAL ON/OFF) (GMT) (KY0)			1
MOTOR PLM10.11,8L0-CES0-LIC/NC-N-E-D-*JB-ZZ-DH (MANUAL ON/OFF) (GMT) (KY0)			
Code	0037002X		
Boisuscita / It replaces			

K3282000090 LM551



MOTOR DATA

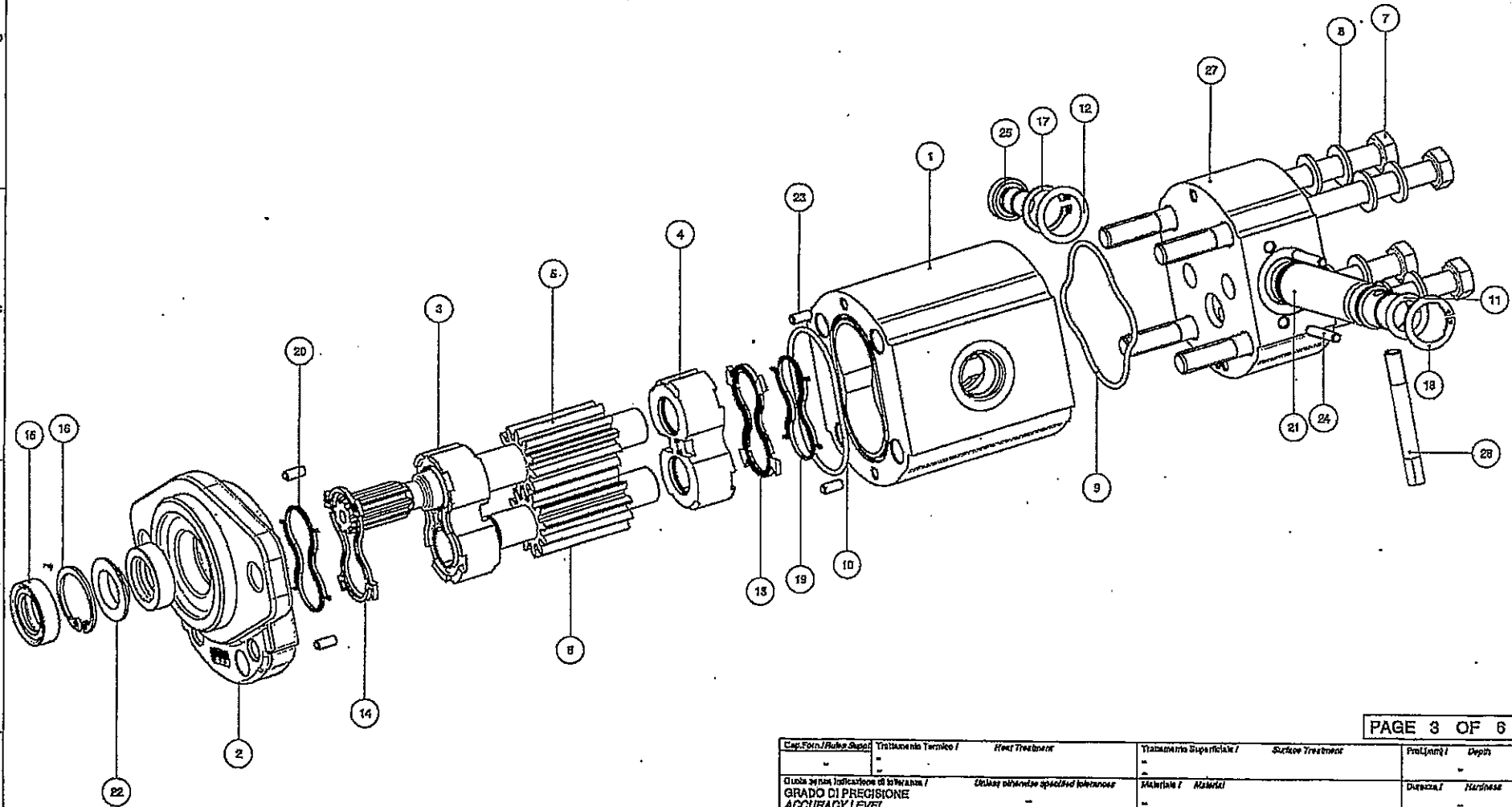
Senso di rotazione (guardando l'albero conduttore) Direction of rotation (looking on drive shaft)		Reversibile (L) Reversible (L)
Cilindrata - Displacement		11.88 [cm ³ /rev]
Pressione max continua - Max continuous pressure	P1	140 [bar]
Pressione max intermittente - Max intermittent pressure	P2	160 [bar]
Pressione max picco - Max peak pressure	P3	230 [bar]
Pressione max sullo scarico dei motori unidirezionali Max back pressure for single rotation motors	P1 (cont.)	- [bar]
	P2 (20 s)	- [bar]
	P3 (8 s)	- [bar]
Pressione max sul drenaggio dei motori reversibili Max drain line pressure on the reversible rotation motors		5 [bar]
Velocità - Speed	min P1	650 [min ⁻¹]
	max P1	3500 [min ⁻¹]
Guarnizioni - Seals type		NBR
Temperatura di esercizio - Operating temperature		-25 to +80 [°C]
Campo di viscosità - Viscosity range	recommended	12 to 100 mm ² /s (cSt)
	permitted	max 750 mm ² /s (cSt)
Classe di contaminazione raccomandata per il fluido Recommended fluid contamination class	$\Delta p > 200$ bar $\beta x = 75 - 10 \mu m$	8 - Nas 1638 19/17/14 - ISO 4406
	$\Delta p < 200$ bar $\beta x = 75 - 25 \mu m$	10 - Nas 1638 21/19/16 - ISO 4406
Codice del prototipo - Prototype code		-
Codice cliente - Customer code		K328200090
Valvola di massima pressione - Relief valve		[bar]
Pressione di stand-by valvola LS - Stand-by pressure LS valve		[bar]
Peso - Weight		1.800 [kg]
Vernice - Painting		
Trattamenti speciali - Special treatment		

Independently from the max rated pressure values indicated in the table, the max admissible torque of the output shaft and (when applicable) of connecting hub(s) must be respected. Consequently it could be necessary to limit the max working pressures accordingly.

Indipendentemente dai valori di massima pressione riportati in tabella, devono essere rispettate le coppie massime ammissibili su alberi e/o mozz di trascinamento. Pertanto potrebbe risultare necessario limitare le pressioni massime di esercizio di conseguenza.

For operating condition outside those stated, please consult Casappa S.p.A. Technical sales department

Cap.Forn./Pulse Suppl	Trattamento Termico / Heat Treatment	Trattamento Superficiale / Surface Treatment	Prof.(mm) / Depth
-	-	-	-
Quote senza indicazione di tolleranza / Unless otherwise specified tolerances		Materiale / Material	Durezza / Hardness
GRADO DI PRECISIONE / ACCURACY LEVEL		-	-
Disegnato/Drawn	Approvato/Approved	Mod.Tecn./ Release change	Progetto/Project
Date	28-05-2019	28-05-2019	13308
Firma	ZolesiA	CarusoD	0037002X
CASAPPA FLUID POWER DESIGN			Descrizione / Description MOTORE PLM10.11.9L0-CES0-LJC/JC-N-E-D-"JB-ZZ-DH (MANUAL ON/OFF) (GMT) (KYC) MOTOR PLM10.11.9L0-CES0-LJC/JC-N-E-D-"JB-ZZ-DH (MANUAL ON/OFF) (GMT) (KYC)
The information hereon is the property of CASAPPA Spa. Without written permission, any copying, transmittal to others and any use except that for which it's loaned, is prohibited.			Ind. Mod. / Index Rev. 1
Signature for approval Date: 6.10.2019		Codice / Code 0037002X	Sostituzione / It replaces -



Cap.Forn./Ruota Suppl.	Trattamenti Termici / Heat Treatment	Trattamenti Superficiali / Surface Treatment	Prof./mm / Depth
-	-	-	-
Classe di Precisione / Indicazione di Precisione / GRADO DI PRECISIONE / ACCURACY LEVEL	Classe di Precisione Specificata / Indicazione	Materiale / Material	Durezza / Hardness
-	-	-	-
Data / Date	Disegnato / Drawn	Approvato / Approved	Mod.Tecn. / Release change
22-07-2019	22-07-2019	13470	Proprietà / Project
Firma / Signature	CorteseP	CarusoD	File
			0037002X
			Codice Grezzi / Master Code
			7:10
			Forma / Size
			A3

CASAPPA
FLUID POWER DESIGN

The information herein is the property of CASAPPA SpA. Without written permission, any copying, transmission to others and any use except that for which it's issued, is prohibited.

Descrizione / Description
MOTORE PLM10.11, 9LD-CES0-L1/C/1CN-E-D-*J8-ZZ-DH (MANUAL ON/OFF) (GMT) (KYO)

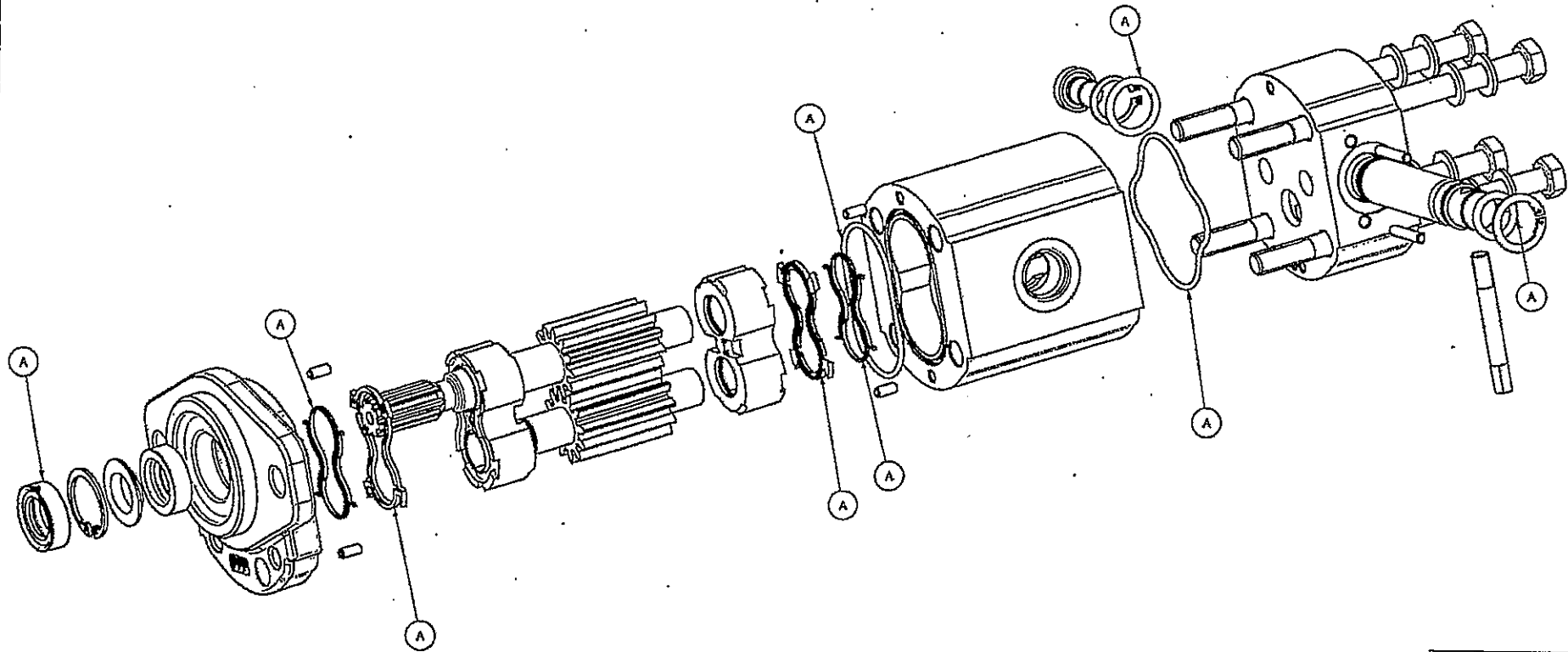
Ind. Mod. / Index File
2

Codice / Code
0037002X

Quantità / Quantity
-

Int. Mod. / Index File
-

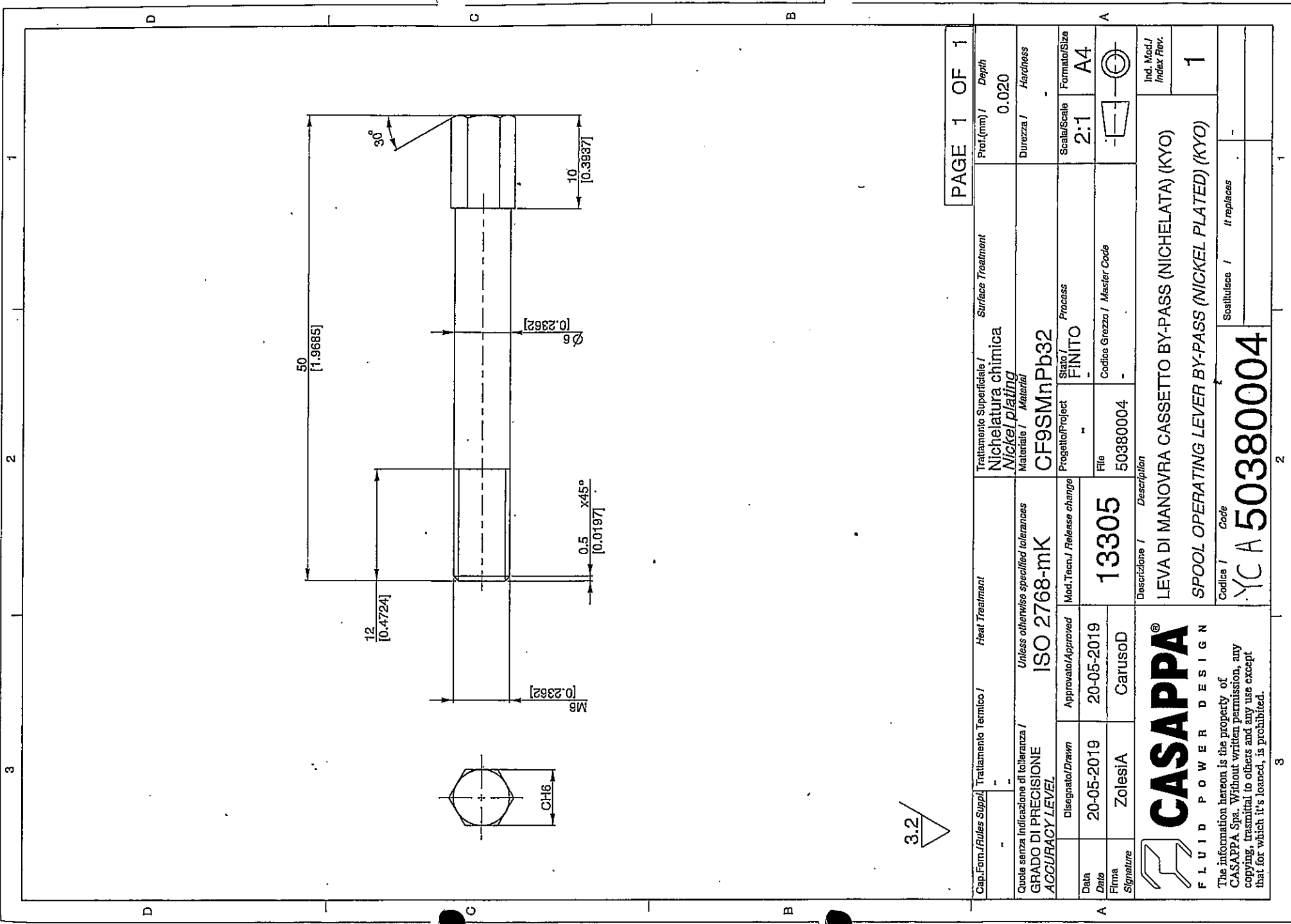
A	62029539	SERIE GUARNIZIONI PLM10-L-CES0 (KYO) SEAL KIT PLM10-L-CES0 (KYO)	1
N. R.	Rif. Fornitore Supplier Ref.	Denominazione Part Name	Q.tà Q.ty



PAGE 4 OF 8

Cap.Forn./Rifer.Stopp.	Trattamento Termico / Heat Treatment	Trattamento Superficiale / Surface Treatment	Prof.(mm) / Depth
-	-	-	-
Dalle norme indicate o di tolleranza / Unless otherwise specified tolerances		MAX/Min / MAX/Min	Durezza / Hardness
GRADO DI PRECISIONE / ACCURACY LEVEL		-	-
Data / Date	Disegnato/Drawn	Approvato/Approved	Mod.Tecn./Release change
22-07-2019		22-07-2019	
Firma / Signature	CorteseP	CarusoD	13470
Progetto/Project		Stato / Process	Scala/Scale
-		-	7:10
Codice / Code		Codice Grezzo / Master Code	Forma/Size
0037002X		-	A3
			Ind. Mod./Index (Rev)
Descrizione / Description MOTORE PLM10.11,5L6-CES0-LICUC-NE-D-1B-ZZ-DH (MANUAL ON/OFF) (BMT) (KYO) MOTOR PLM10.11,5L6-CES0-LICUC-NE-D-1B-ZZ-DH (MANUAL ON/OFF) (BMT) (KYO)			2
Codice / Code		Revisore / Replaces	
0037002X		-	

The information hereon is the property of CASAPPA S.p.A. Without written permission, any copying, transmission to others and any use except that for which it's issued, is prohibited.



PAGE 1 OF 1

Cap.Fom./Rules Suppl.		Trattamento Termico / Heat Treatment		Trattamento Superficiale / Surface Treatment		Prof.(mm) / Depth
				Nichelatura chimica / Nickel plating		0.020
Quote senza indicazione di tolleranza / GRADO DI PRECISIONE ACCURACY LEVEL.		Mod.Tecn./ Release change 13305		Materiale / Material CF9SMnPb32		Durezza / Hardness
Disegnato/Drawn 20-05-2019		Approvato/Approved 20-05-2019		Stato / Process FINITO		Scala/Scale
Firma / Signature Zolesia		CarusoD		Codice Grezza / Master Code 50380004		Formato/Size
Data / Date 20-05-2019		CarusoD		Filo 50380004		A4
Descrizione / Description LEVA DI MANOVRA CASSETTO BY-PASS (NICHELATA) (KYO) SPOOL OPERATING LEVER BY-PASS (NICKEL PLATED) (KYO)				Ind. Mod./ Index Rev. 1		
CASAPPA® FLUID POWER DESIGN The information hereon is the property of CASAPPA Spa. Without written permission, any copying, transmittal to others and any use except that for which it's loaned, is prohibited.		Codice / Code YCA 50380004		Sostituisce / It replaces -		

スプールの操作レバー

Pos.	Codice Code	Kit	Q.tà Q.ty	Descrizione Description	Indice modifica Index revision
19	41810145		1	ANTIESTRUSORE Z PL10 R (GGB)	1
18	41265025		1	ANTIESTRUSION Z PL10 R (GGB)	0
17	40977000		1	ANELLO A 16x1 V RING A16x1 V	0
16	40640000	A	1	ANELLO 15 UNI 7435-DIN 471 RING 15 UNI 7435-DIN 471	0
15	38915240	A	2	ANELLO 24 UNI 7437-DIN 472 RING 24 UNI 7437-DIN 472	0
14	39654370	A	1	PARACILIO BA 14X24X7 SHAFT SEAL BA 14X24X7	0
13	39654320	A	1	GUARNIZIONE PL10 SUP. 21/32 UPPER SEAL PL10 21/32	2
12	38879995	A	1	GUARNIZIONE PL10 R SEAL PL10 R	2
11	38878990	A	1	ANELLO TOROIDALE PH 2-114-90GRA SH.A(15,54X2,62) O-RING SEAL PH 2-114-90GRA SH.A(15,54X2,62)	0
10	38740090	A	1	ANELLO TOROIDALE PH 5-615 90GRA SH.A (11,91X2,62) O-RING SEAL PH 5-615 90GRA SH.A (11,91X2,62)	0
9	38622000		1	ANELLO TOROIDALE PH 2-031 90GRA SH.A (44,17X1,78) O RING SEAL PH 2-031 90GRA SH.A (44,17X1,78)	0
8	37588650		8	ANELLO TOROIDALE PH 2-038 90GRA SH.A (50,52X1,78) O RING SEAL PH 2-038 90GRA SH.A (50,52X1,78)	0
7	84409221		4	ROSETTA 8 (8-4x15x1-5) HV300 GEOMET 321/A PLUS M WASHER 8 (8-4x15x1-5) HV300 GEOMET 321/A PLUS M	0
6	27718516		1	VITE TE M 8X115 - 5737-10.9 GEOMET 321/A PLUS M SCREW TE M 8X115 - 5737-10.9 GEOMET 321/A PLUS M	0
5	27715730		1	INGR.CONDOTTO PL10.11,9 DRIVEN GEAR PL10.11,9	0
4	28710173		1	INGR.CONDUTTORE PL10.11,9-OE DRIVE SHAFT PL10.11,9-OE	1
3	28710170		1	RASAMENTO PL10/AL R Z (GGB) DH THRUST PLATE PL10/AL R Z (GGB) DH	0
2	21684022		1	RASAMENTO PL10/AL R SUP 21/32 (GGB) DH THRUST PLATE PL10/AL R SUP 21/32 (GGB) DH	0
1	17000579		1	COPERCHIO ANT. PL10-S0/AL-D FRONT COVER PL10-S0/AL-D	5
				CORPO PL10.11,9-LJ/CJ/C-AMP (INT TOLL)(RULLATO) F.TIR BODY PL10.11,9-LJ/CJ/C-AMP (INT TOLL)(RULLATO) F.TIR	1

Coda Form./Ritmo Speed / Heat Treatment / Trattamento Termico / Heat Treatment / Prof.(mm) / Depth
 Qualità senza incertezza di tolleranza / Unless otherwise specified tolerances / GRADO DI PRECISIONE ACCURACY LEVEL / Mod./Tech./ Release change / Data 22-07-2019 / 22-07-2019 / CorteseP / Carusod
 Descrizione / Description / MOTORE PLM10.11,9LQ-CES/LJ/CJ/C-N-E-D-*JB-ZZ-DH (MANUAL ON/OFF) (GMT) (KYO)
 MOTORE PLM10.11,9LQ-CES/LJ/CJ/C-N-E-D-*JB-ZZ-DH (MANUAL ON/OFF) (GMT) (KYO)

Durezza / Hardness / Scala/Scale 4:5 A4
 Forma/Size A4
 Filo 0037002X
 Codice Graeco / Master Code
 13470
 Mod./Tech./ Release change / Data 22-07-2019 / 22-07-2019 / CorteseP / Carusod

CASAPPA®
 FLUID POWER DESIGN
 The information hereon is the property of CASAPPA Spa. Without written permission, any copying, transmittal to others and any use except that for which it's loaned, is prohibited.

Codice / Code 0037002X
 Sostituisce / It replaces

Int. Mod./ Index Rev. 2

27	PRC10781	1	GOPERGHIO POST. PL10-L *JB-AL (KYO) (1) (LAPPATO) REAR COVER PL10-L *JB-AL (KYO) (1) (FINISHED)	0
26	50380004	1	LEVA DI MANOVRA CASSETTO BY-PASS (NICHELATA) (KYO) SPOOL OPERATING LEVER BY-PASS (NICKEL PLATED) (KYO)	1
25	49468000	1	TAPPO ACCIAIO TOEI 1/8 GAS CON OR 9,25X1,78 STEEL PLUG TOEI G1/8 WITH OR 9,25x1,78	0
24	49250010	2	SPINA MM.3,5X20 UN1-EN 22388-B DOWEL PIN MM.3,5X20 UN1-EN 22388-B	0
23	49250000	4	SPINA MM.3,5X8 DOWEL PIN MM.3,5X8	0
22	45617000	1	PIASTRINA PARAOLIO BA 14x24x7 BACK-UP WASHER BA 14x24x7	3
21	42950002	A	CASSETTO BY-PASS PL10 (KYO) (NICHELATO) SPOOL BY-PASS PL10 (KYO) (NICHELATO)	0
20	41310210	A	ANTIESTRUSORE PL10 R SUP. 21/32 Z ANTIEXTRUSION PL10 R SUP. 21/32 Z	4

PAGE 6 OF 6

Cap.Forn./Forniture Suppl.	Trattamento Termico /	Heat Treatment	Trattamento Superficiale /	Surface Treatment	Profil.(mm) /	Depth
			Materiale /	Material	Durezza /	Hardness
Quote senza indicazione di tolleranza /	Unless otherwise specified tolerances		Progetto/Project	Process	Scala/Scale	Formato/Size
ACCURACY LEVEL	Mod.Tecn./	Release change	Stato /	Process	4:5	A4
Data /	22-07-2019	22-07-2019	File	Codee Giazzo /	Master Code	
Disegnato/Drawn	CarfeseP	CarusoD	0037002X			

CASAPPA®
FLUID POWER DESIGN
 This information herein is the property of CASAPPA Spa. Without written permission, any copying, transmission to others and any use except that for which it's loaned, is prohibited.

Descrizione / Description
 MOTORE PLM10.11,9L0-CES0-L1C1C-N-E-D-*JB-ZZ-DH (MANUAL ON/OFF) (GMT) (KYO)
 MOTOR PLM10.11,9L0-CES0-L1C1C-N-E-D-*JB-ZZ-DH (MANUAL ON/OFF) (GMT) (KYO)

Ind. Mod / Index Rev
 2

Code / Codice
0037002X

Sostituisce / Replaces