

# LM2700 & EM2800 V420S

from LM2700 Service Manual

## 9. Reference information

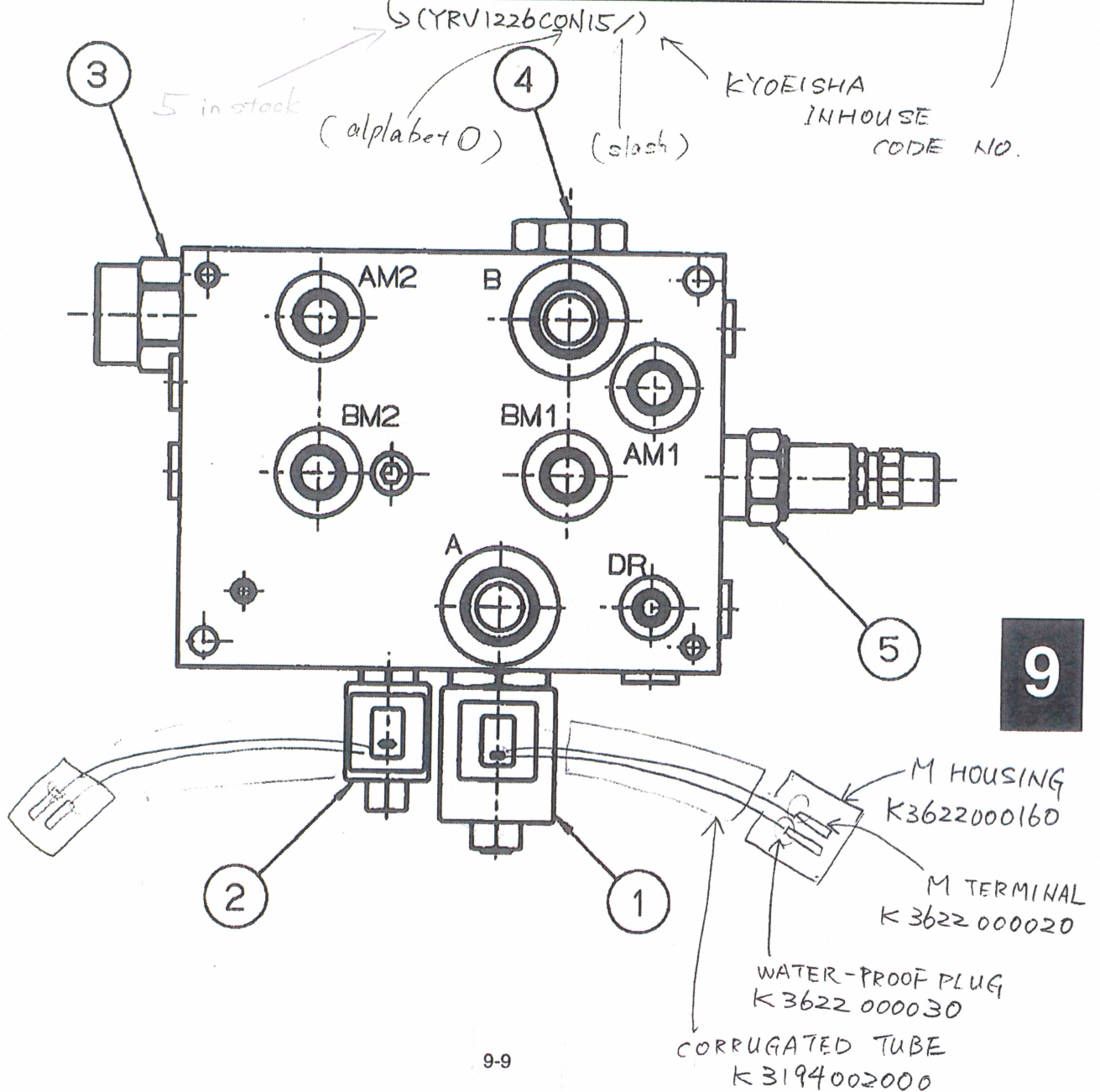
### [5] Solenoid valve (for switching 2WD or 4WD) V420S

6 pos. in stock now  
5 in stock

#### Parts list

Catalogue number	Code number	Part name	Quantity	Remark
①	Electro magnetic valve	SV16-22-0-N-12DL (YSV16220N12DL)	1	Coil 6352012 (Y6352012) Seal kit SK16-2N-T
②	Electro magnetic valve	SV08-30-0-N-12DL (YSV08300N12DL)	1	Coil 6302012 (Y6302012) Seal kit SK08-3N-MM
③	Direction change valve	PD16-44-0-N-110	1	Seal kit SK16-4N-MMM
④	Check valve	CV16-20-0-N-5	1	Seal kit SK16-2N-T
⑤	Relief valve	RV12-26C-0-N-15/ (YRV1226C0N15/)	1	Seal kit SK12-2N-B

1 in stock  
NO stock

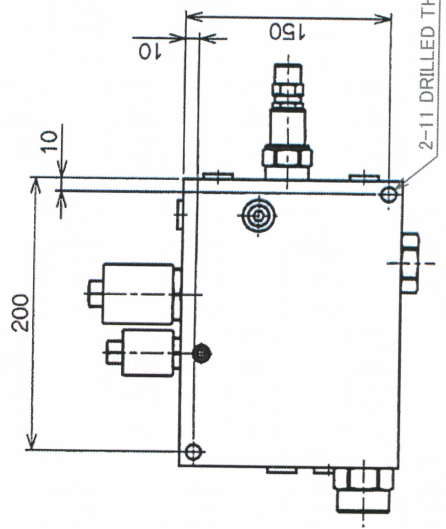
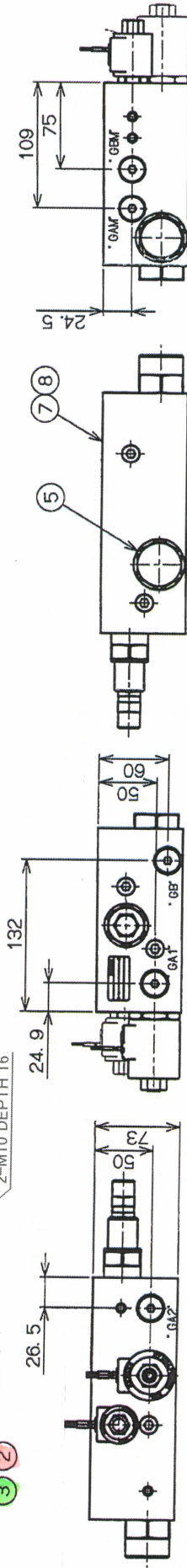
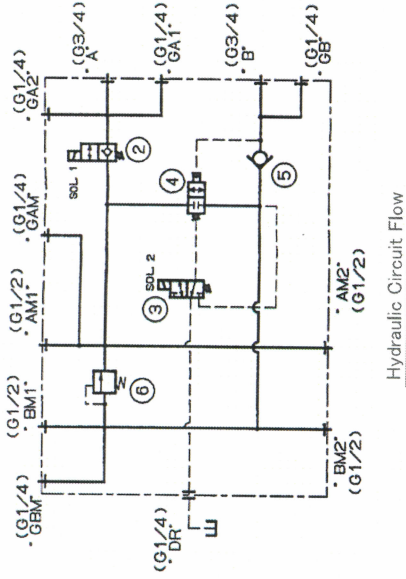
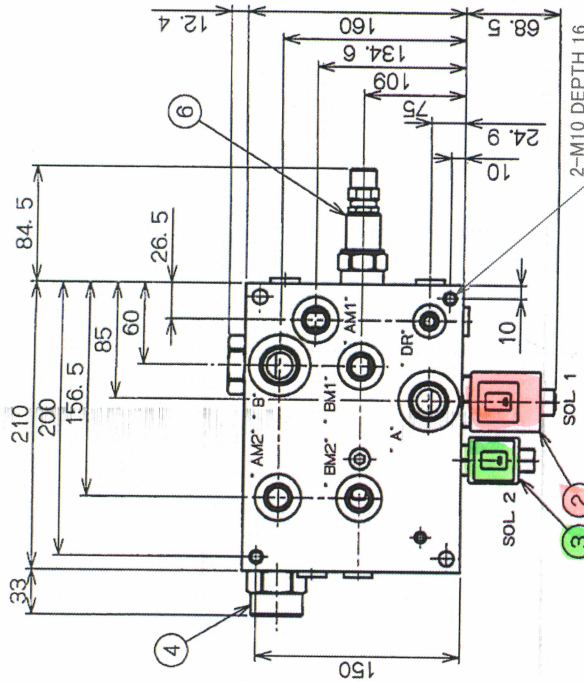


9

K3313000290

VALVE COMP, SOLENOID V4205

LM2700 & GM2800 2WD/4WD CONTROL BLOCK  
(AT THE BACK OF THE MACHINE)



Cat NO	Code No	Parts Name	Qty	Unit	Remarks
2	YSV16220N12DL	ELECTROMAGNETIC VALVE FOR V4205	1		
3	YSV08300N12DL	ELECTROMAGNETIC VALVE FOR V4205	1		
4	YPD16-44-0-N-110	VALVE, DIRECTION SELECTOR	1		
5	YCV16-20-0-N-5	VALVE, CHECK	1		
6	YRV1226CON15/	VALVE, RELIEF	1		
7	YPPS1/8	PLUG, WITH HEX. HOLE	6		
8	YPPS3/8	PLUG, WITH HEX. HOLE	7		

2WD  
4WD

2-11 DRILLED THROUGH HOLE