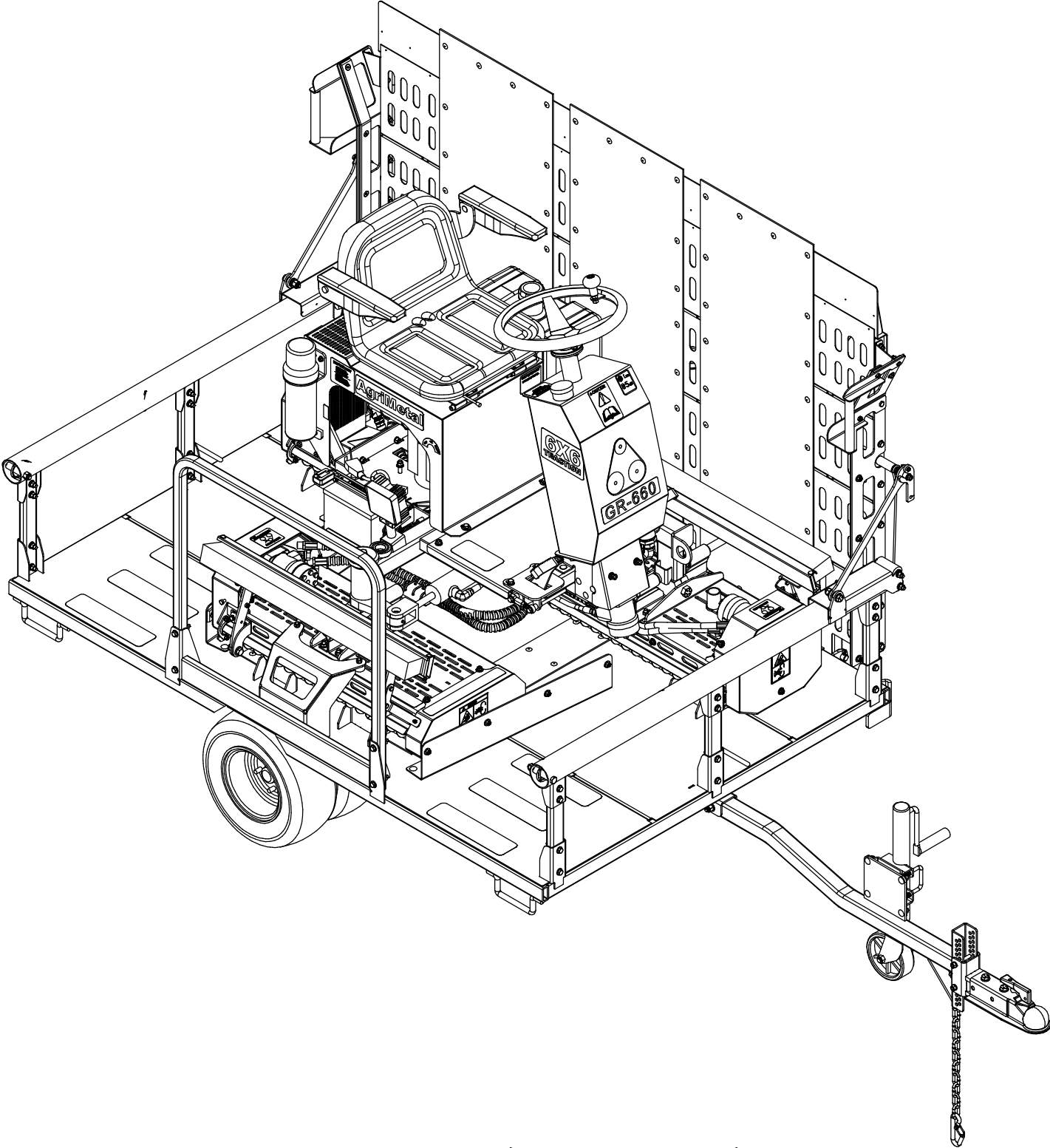
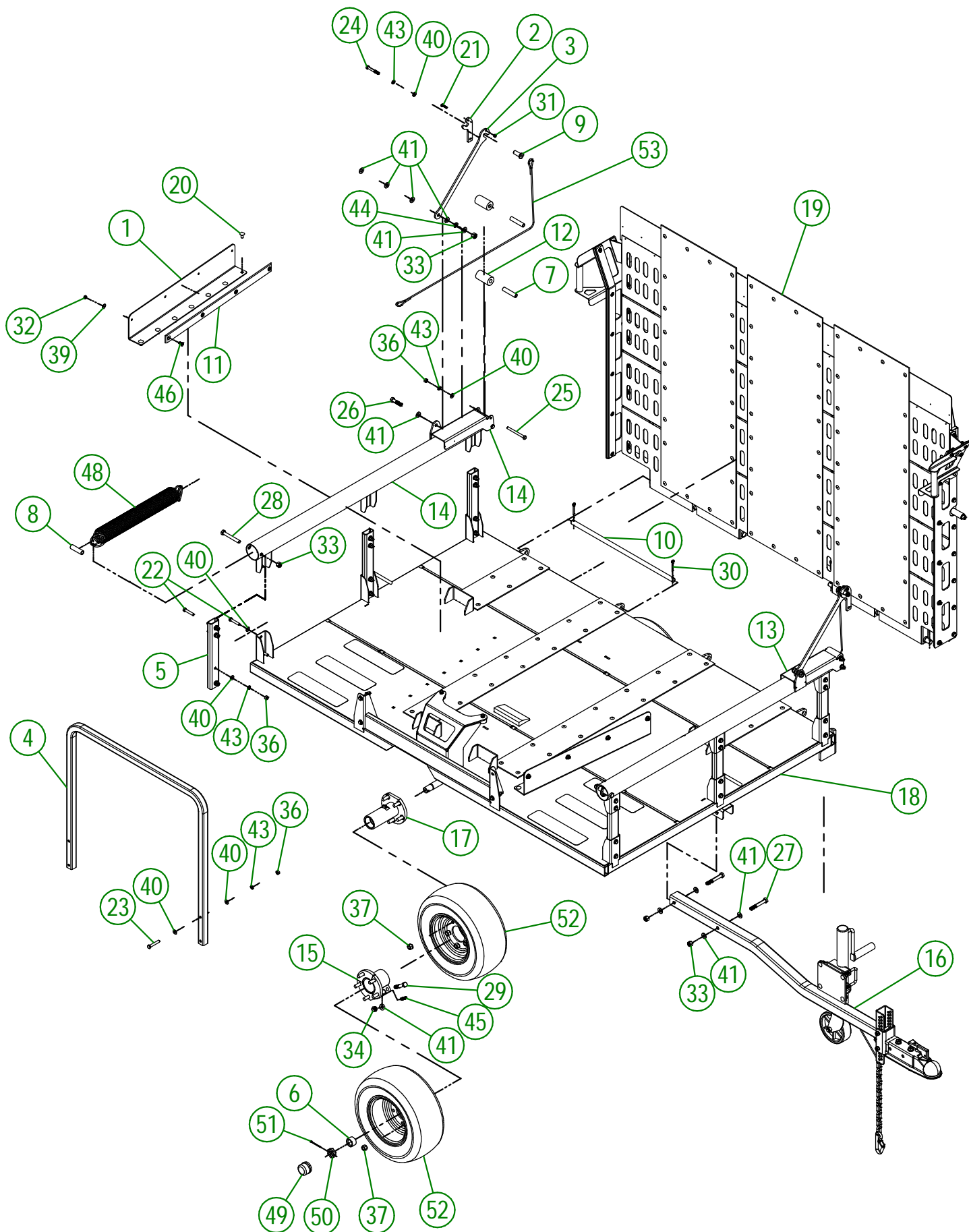


AgriMetal

PARTS LIST



GR 660-H (4 WHEELS)



USE THESE PIECES ONLY IF YOUR SERIAL NUMBER IS AFFECTED:

48876 AND UNDER

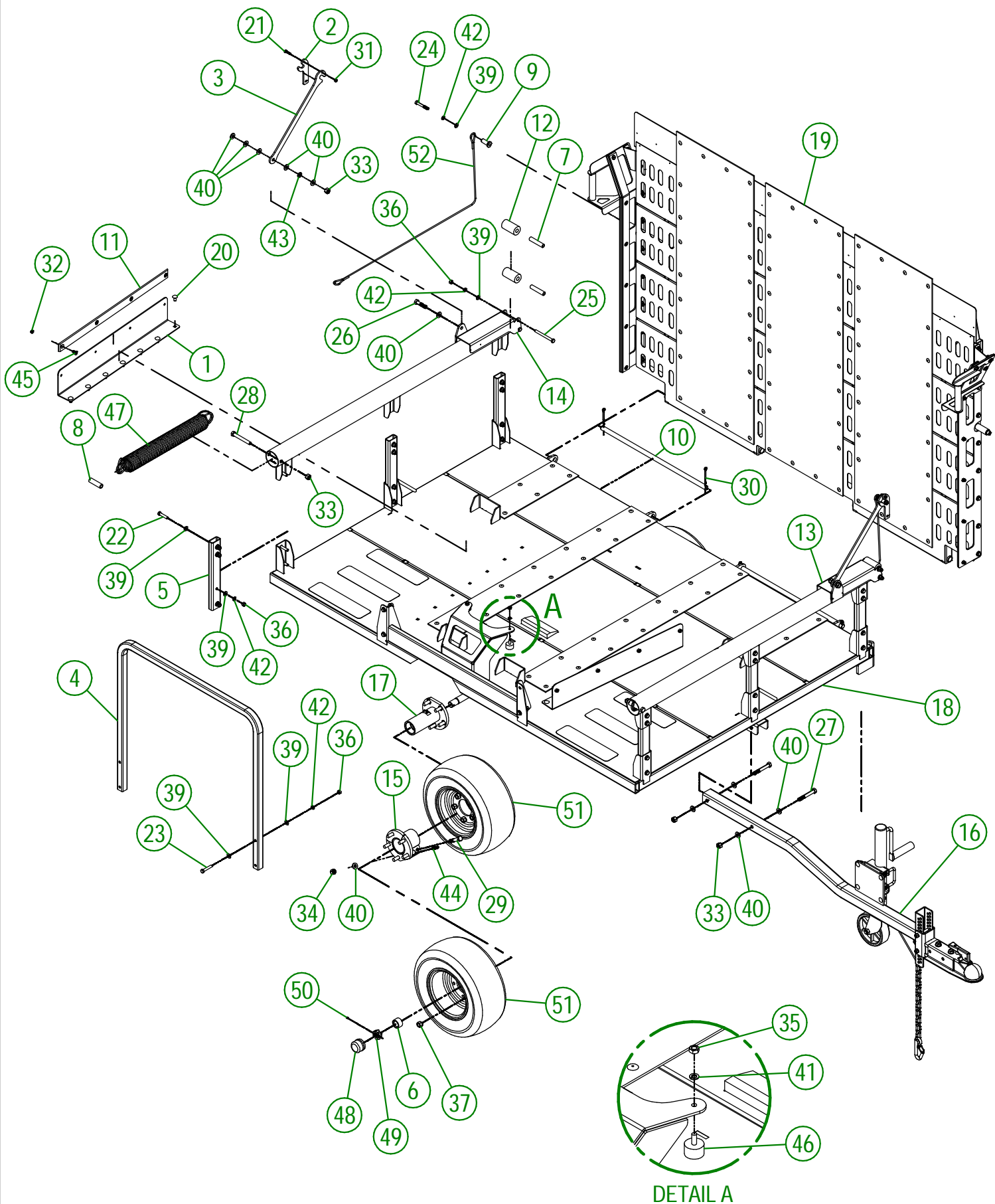
AGRIMETAL	
TRAILER (4 WHEELS)	
CREATION : 27/01/26	ASSEMBLY : 39-55-1103
REVISION : 19/03/26	AUTHOR : N. GOULET

39-55-1103

#	PART #	Qty	TITLE
1	39-01-0439	2	POSITIONING GUIDE
2	39-04-0360	2	DOOR LOCK
3	39-04-1196	2	RAMP LOCK
4	39-07-0036	1	RAMP TUBE
5	39-08-0055	6	RAMP SPRING SUPPORT TUBE
6	39-09-0070	2	WHEEL AXLE RING
7	39-09-0081	4	CABLE PULLEY BUSHING
8	39-09-0111	2	RAMP SPRING BUSHING
9	39-13-1040	2	SUPPORT FOR RAMP BARRIERS
10	39-13-1500	2	PIVOT RAMP
11	39-42-0156	2	SLIDER
12	39-42-1031	4	RAMP CABLE PULLEY
13	39-50-1145	1	RAMP SPRING SUPPORT (FRONT)
14	39-50-1150	1	RAMP SPRING RESSORT (BACK)
15	39-55-0180	2	WHEEL HUB
16	39-55-0313	1	PRE-ASSEM. TONGUE
17	39-55-1105	2	WHEEL HUB ASS'Y
18	39-57-1288	1	TRAILER (4 WHEELS)
19	39-57-1370	1	TRAILER RAMP
20	NC01-07-0107	14	CARR. BOLT GR5 ZINC 3/8-16 X 3/4"
21	NC01-25-0006	2	HEX. BOLT GR5 1/4-20 X 1"
22	NC01-25-0118	24	HEX. BOLT GR5 NC ZINC 3/8-16 X 2"
23	NC01-25-0119	4	HEX. BOLT GR5 NC ZINC 3/8-16 X 2"
24	NC01-25-0120	2	HEX. BOLT ZINC 3/8-16 X 2 1/2"
25	NC01-25-0126	4	HEX. BOLT GR5 ZINC 3/8-16 X 4"
26	NC01-25-0251	2	HEX.BOLT GR5 NC ZINC 1/2-13 X 2"
27	NC01-25-0257	2	HEX. BOLT GR5 ZINC 1/2-13 X 3 1/2"
28	NC01-25-0258	2	HEX. BOLT GR5 ZINC 1/2-13 X 3 3/4"
29	NC01-29-0253	4	HEX. BOLT GR5 ZINC 1/2-20 X 2 1/2"
30	NC01-69-0180	4	COTTER PIN 1/4 X 1 3/4"
31	NC01-93-0001	2	HEX. LOCK NUT NC ZINC 1/4-20
32	NC01-93-0010	8	LOCK NUT ZINC 5/16-18
33	NC01-96-0014	6	NYLON-INSERT LOCKNUT ZINC 1/2-13
34	NC01-97-0008	4	HEX. LOCK NUT NYLO. NF Z 1/2-20
35	NC02-07-0017	2	HEX. NUT 5/16-18
36	NC02-07-0018	32	HEX. NUT ZINC 3/8-16
37	NC02-12-0005	16	HEX. NUT ZINC 1/2-20
38	NC02-14-0019	14	FLANGE NUT HEX. NC 3/8-16 GR. B
39	NC02-22-0008	8	WASHER ZINC 5/16"
40	NC02-25-0009	62	FLAT WASHER 14 GA X 13/16"OD X 25/64" ID
41	NC02-25-0011	20	WASHER SAE ZINC 17/32 ID
42	NC02-32-0011	2	LOCK WASHER ZINC 5/16"
43	NC02-32-0012	34	LOCK WASHER ZINC 3/8"
44	NC02-32-0014	2	LOCK WASHER ZINC 1/2"
45	NC02-44-0124	2	3/8-16 X 1 1/2 SET SCREW
46	NC02-48-0020	8	SOCKET HEAD SCREW 6 P.C. 5/16-20 X 3/4"

39-55-1103

#	PART #	Qty	TITLE
47	NC13-15-0034	2	RUBBER ABSORBER
48	NC13-85-0068	2	ASSEMBLED SPRINGS FOR TRAILER
49	NC14-70-0092	2	DUST GUARD
50	NC14-70-0310	2	SLOTTED NUT 1-14
51	NC14-70-0311	2	COTTER PIN ZINC 5/32" X 2"
52	NC14-70-0644	4	16.5 X 6.5 WHEEL
53	NC17-02-0444	2	TRAILER SPRING CABLE



USE THESE PIECES ONLY IF YOUR SERIAL NUMBER IS AFFECTED:

#48877 AND ABOVE

AGRIMETAL	
TRAILER (4 WHEELS)	
CREATION : 27/01/26	ASSEMBLY : 39-55-1104
REVISION : 19/03/26	AUTHOR : N. GOULET

39-55-1104

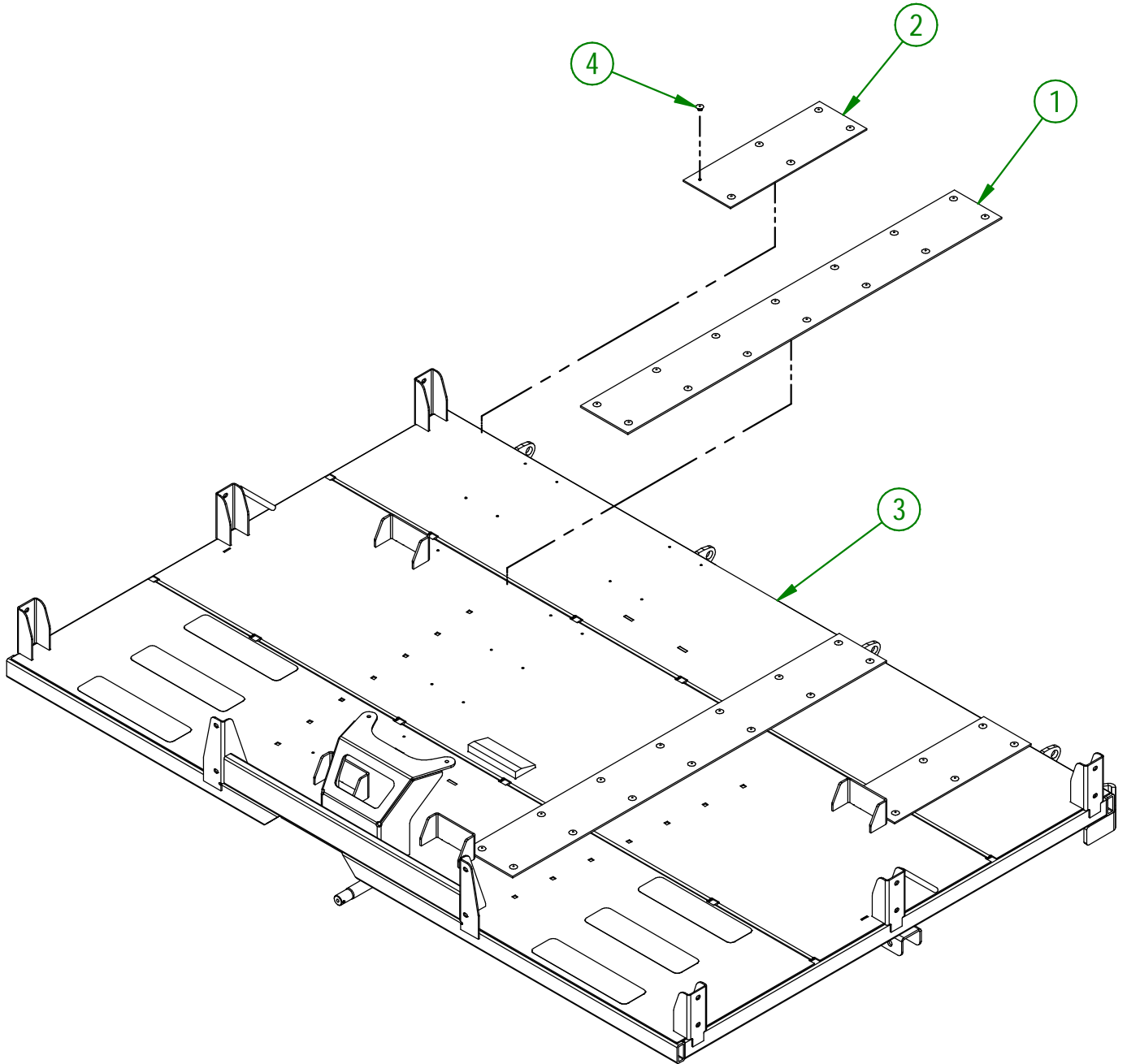
#	PART#	QTY	TITLE
1	39-01-0439	2	POSITIONING GUIDE
2	39-04-0360	2	DOOR LOCK
3	39-04-1196	2	RAMP LOCK
4	39-07-0036	1	RAMP TUBE
5	39-08-0055	6	RAMP SPRING SUPPORT TUBE
6	39-09-0070	2	WHEEL AXLE RING
7	39-09-0081	4	CABLE PULLEY BUSHING
8	39-09-0111	2	RAMP SPRING BUSHING
9	39-13-1040	2	SUPPORT FOR RAMP BARRIERS
10	39-13-1500	2	PIVOT RAMP
11	39-42-0156	2	SLIDER
12	39-42-1031	4	RAMP CABLE PULLEY
13	39-50-1145	1	RAMP SPRING SUPPORT (FRONT)
14	39-50-1150	1	RAMP SPRING RESSORT (BACK)
15	39-55-0180	2	WHEEL HUB
16	39-55-0313	1	PRE-ASSEM. TONGUE
17	39-55-1105	2	WHEEL HUB ASS'Y
18	39-57-1288	1	TRAILER (4 WHEELS)
19	39-57-1371	1	TRAILER RAMP
20	NC01-07-0107	14	CARR. BOLT GR5 ZINC 3/8-16 X 3/4"
21	NC01-25-0006	2	HEX. BOLT GR5 1/4-20 X 1"
22	NC01-25-0117	24	HEX. BOLT GR5 ZINC 3/8-16 X 1 3/4" LG
23	NC01-25-0118	4	HEX. BOLT GR5 NC ZINC 3/8-16 X 2"
24	NC01-25-0120	2	HEX. BOLT ZINC 3/8-16 X 2 1/2"
25	NC01-25-0126	4	HEX. BOLT GR5 ZINC 3/8-16 X 4"
26	NC01-25-0251	2	HEX.BOLT GR5 NC ZINC 1/2-13 X 2"
27	NC01-25-0257	2	HEX. BOLT GR5 ZINC 1/2-13 X 3 1/2"
28	NC01-25-0258	2	HEX. BOLT GR5 ZINC 1/2-13 X 3 3/4"
29	NC01-29-0253	4	HEX. BOLT GR5 ZINC 1/2-20 X 2 1/2"
30	NC01-69-0180	4	COTTER PIN 1/4 X 1 3/4"
31	NC01-93-0001	2	HEX. LOCK NUT NC ZINC 1/4-20
32	NC01-93-0010	8	LOCK NUT ZINC 5/16-18
33	NC01-96-0014	6	NYLON-INSERT LOCKNUT ZINC 1/2-13
34	NC01-97-0008	4	HEX. LOCK NUT NYLO. NF Z 1/2-20
35	NC02-07-0017	2	HEX. NUT 5/16-18
36	NC02-07-0018	32	HEX. NUT ZINC 3/8-16
37	NC02-12-0005	16	HEX. NUT ZINC 1/2-20
38	NC02-14-0019	14	FLANGE NUT HEX. NC 3/8-16 GR. B
39	NC02-25-0009	62	FLAT WASHER 14 GA X 13/16"OD X 25/64" ID
40	NC02-25-0011	20	WASHER SAE ZINC 17/32 ID
41	NC02-32-0011	2	LOCK WASHER ZINC 5/16"
42	NC02-32-0012	34	LOCK WASHER ZINC 3/8"
43	NC02-32-0014	2	LOCK WASHER ZINC 1/2"
44	NC02-44-0124	2	3/8-16 X 1 1/2 SET SCREW
45	NC02-48-0020	8	SOCKET HEAD SCREW 6 P.C. 5/16-20 X 3/4"
46	NC13-15-0034	2	RUBBER ABSORBER

39-55-1104

#	PART#	QTY	TITLE
47	NC13-85-0068	2	ASSEMBLED SPRINGS FOR TRAILER
48	NC14-70-0092	2	DUST GUARD
49	NC14-70-0310	2	SLOTTED NUT 1-14
50	NC14-70-0311	2	COTTER PIN ZINC 5/32" X 2"
51	NC14-70-0644	4	16.5 X 6.5 WHEEL
52	NC17-02-0444	2	TRAILER SPRING CABLE

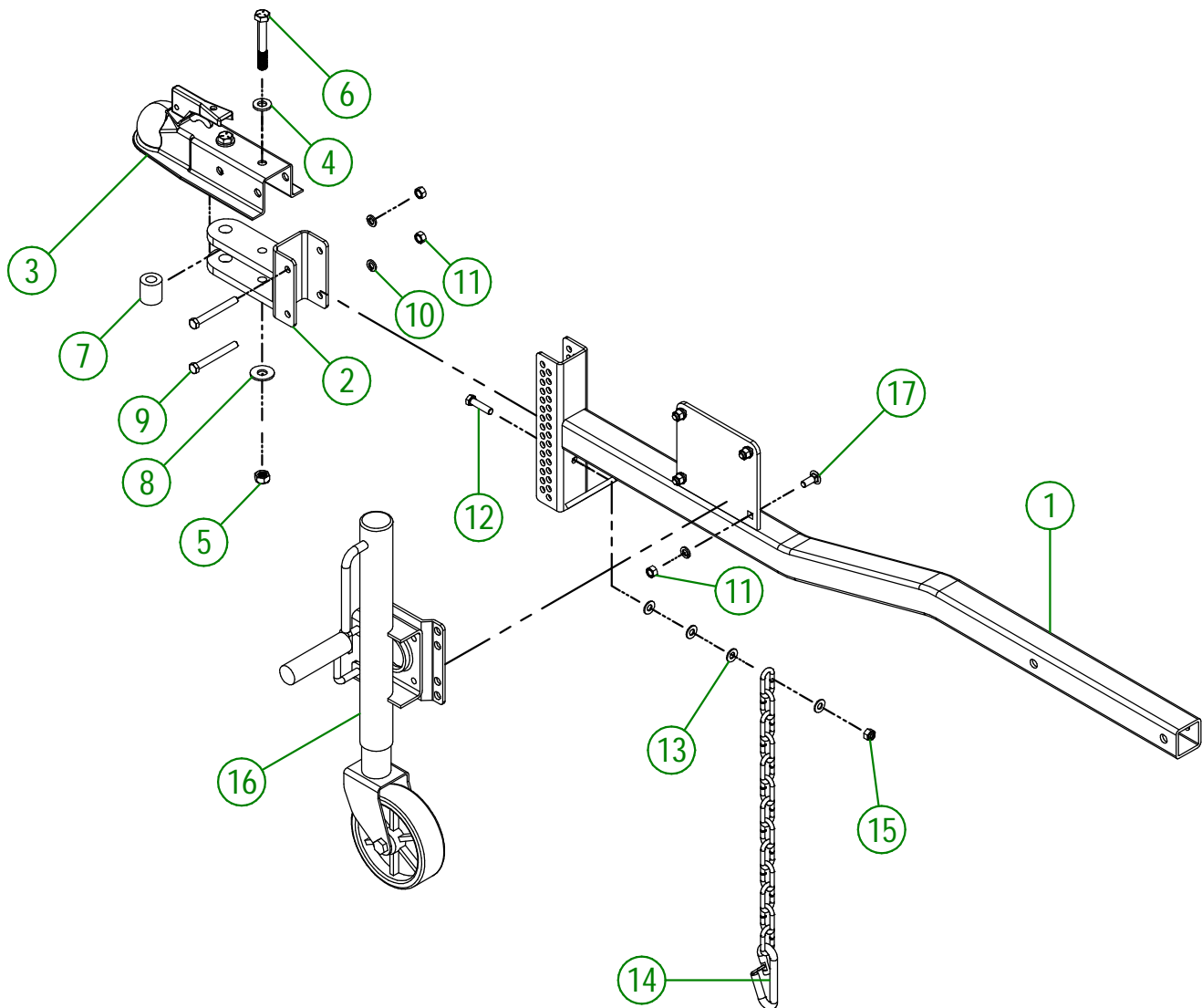
39-57-1288

#	PART #	Qty	TITLE
1	39-42-0255	2	TRAILER RUBBER
2	39-42-0257	2	TRAILER RUBBER
3	39-57-1300	1	TRAILER
4	NC01-78-0299	40	RIVETS AC. AV. SUPR. TI. AC. .187 X .515 CAP. RIVET .270



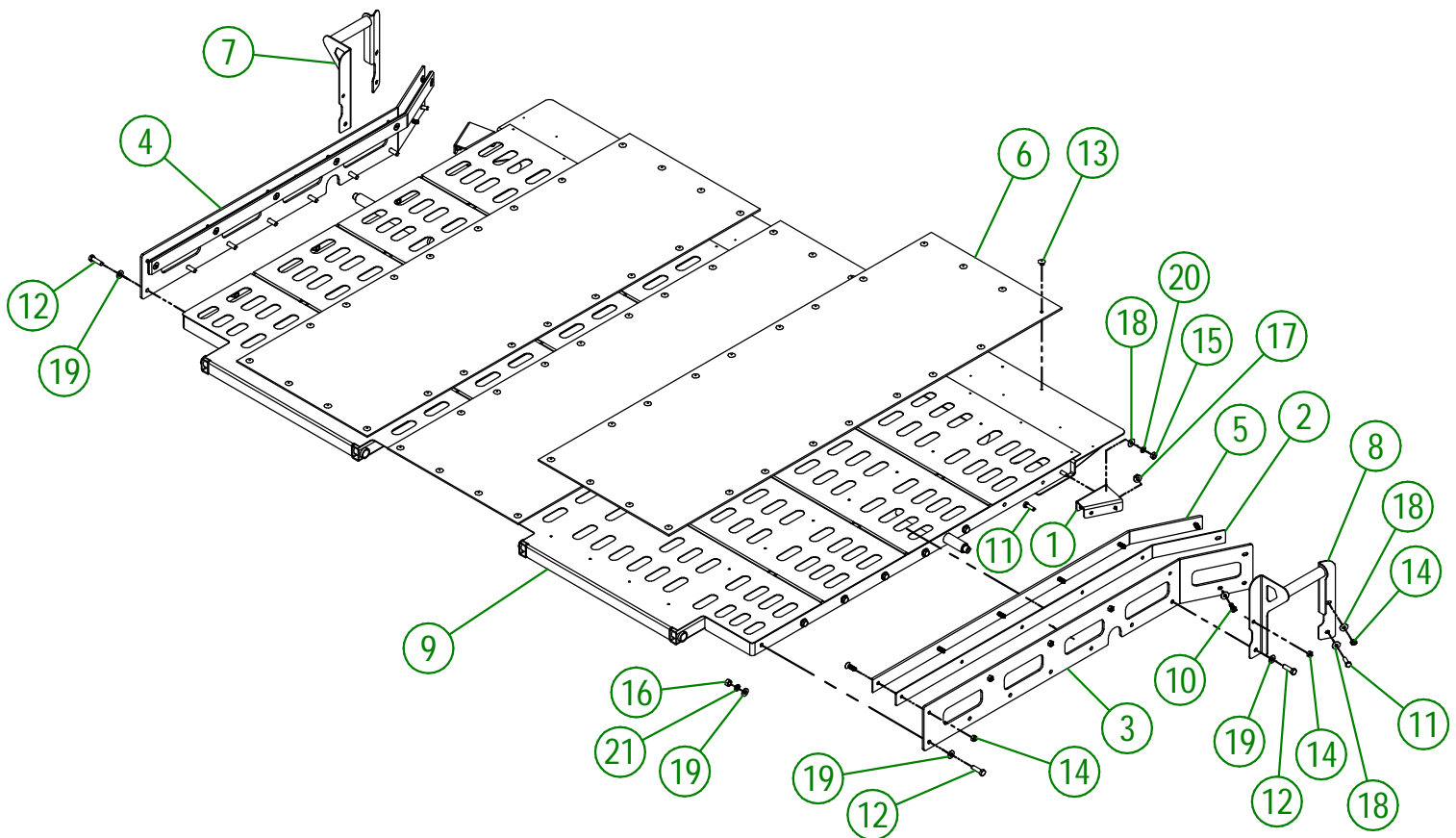
AGRIMETAL	
TRAILER (4 WHEELS)	
CREATION : 27/01/26	ASSEMBLY : 39-57-1288
REVISION : 16/03/26	AUTHOR : N. GOULET

#	PART #	Qty	TITLE
1	39-50-0326	1	TRAILER TONGUE
2	23-50-0045	1	HITCH HAND
3	NC13-80-0290	1	2" HITCH BALL COUPLER
4	NC02-25-0011	2	WASHER SAE ZINC 17/32 ID
5	NC01-93-0014	2	LOCK NUT ZINC 1/2-13
6	NC01-25-0257	2	HEX. BOLT GR5 ZINC 1/2-13 X 3 1/2"
7	23-09-0100	1	HITCH SPACER
8	NC02-22-0012	2	WASHER ZINC 1/2 BOLT = 9/16"Ø X 1 3/8" OD
9	NC01-17-0123	2	HEX. BOLT GR2 ZINC 3/8-16 X 3 1/4"
10	NC02-32-0012	6	LOCK WASHER ZINC 3/8"
11	NC02-07-0018	6	HEX. NUT ZINC 3/8-16
12	NC01-17-0116	1	HEX. BOLT GR2 ZINC 3/8-16 X 1 1/2"
13	NC02-22-1010	4	3/8" ZINC PLATED WASHER
14	55-41-0000	1	SAFETY CHAIN
15	NC01-96-0011	1	NYLON NUT 3/8-16
16	39-55-0330	1	ADJUSTABLE WHEEL CRUTCH
17	NC01-04-0109	4	CARR. BOLT GR2 ZINC 3/8-16 X 1"



AGRIMETAL	
PRE-ASSEM. TONGUE	
CREATION : 12/02/20	ASSEMBLY : 39-55-0313
REVISION : 05/11/24	AUTHOR : D. Bevins

#	PART #	QTY	TITLE
1	39-01-0660	2	RAMP GUIDE REINFORCEMENT
2	39-01-0665	2	SHIM OF RAMP GUIDE SLIDE
3	39-04-1280	1	RAMP GUIDE
4	39-04-1283	1	RAMP GUIDE
5	39-42-0158	2	RAMP GUIDE SLIDE
6	39-42-0283	3	TRAILER RUBBER
7	39-50-0451	1	RAMP HANDLE BACK
8	39-50-0460	1	RAMP HANDLE FRONT
9	39-50-1130	1	TRAILER RAMP
10	NC01-25-0058	2	HEX BOLT GR5 ZINC PLATED 5/16-18 X 3/4"
11	NC01-25-0060	6	HEX. BOLT GR5 ZINC 5/16-18 X 1"
12	NC01-25-0115	14	HEX. BOLT GR5 ZINC 3/8-16 X 1 1/4"
13	NC01-78-0299	66	RIVETS AC. AV. SUPR. TI. AC. .187 X .515 CAP. RIVET .270
14	NC01-93-0010	12	LOCK NUT ZINC 5/16-18
15	NC02-07-0017	4	HEX. NUT 5/16-18
16	NC02-07-0018	14	HEX. NUT ZINC 3/8-16
17	NC02-14-0006	4	HEX. NUT SPECIAL FLANGET NC 5/16-18 B GRADE
18	NC02-22-0008	9	WASHER ZINC 5/16"
19	NC02-25-0009	28	FLAT WASHER 14 GA X 13/16"OD X 25/64" ID
20	NC02-32-0011	4	LOCK WASHER ZINC 5/16"
21	NC02-32-0012	14	LOCK WASHER ZINC 3/8"
22	NC02-48-0021	12	FLAT HEAD SOCKET CAP SCREW 5/16-18 X 1"



USE THESE PIECES ONLY IF YOUR SERIAL NUMBER IS AFFECTED:

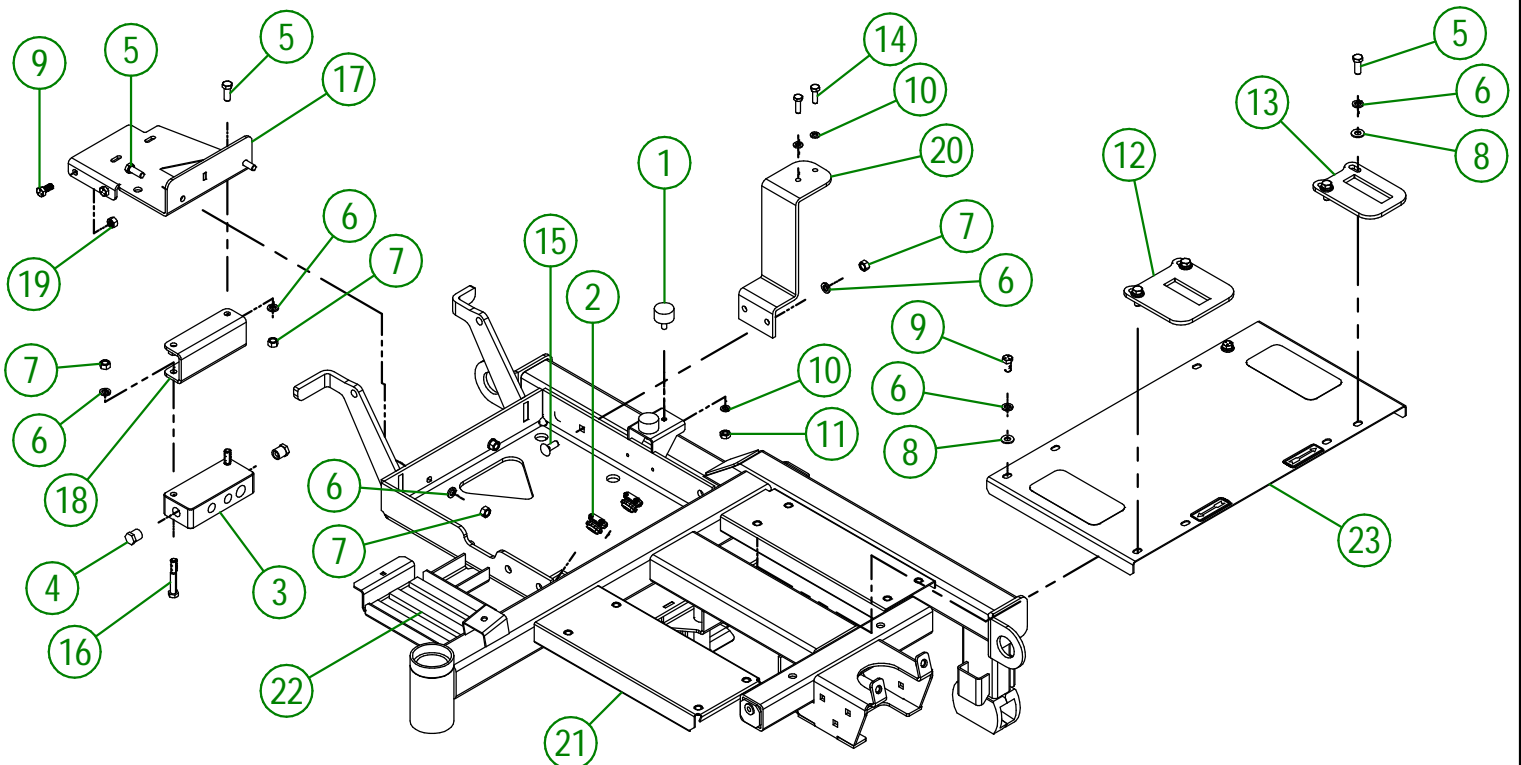
48877 AND ABOVE

AGRIMETAL
TRAILER RAMP

CREATION : 19/03/26
REVISION : 19/03/26

ASSEMBLY : **39-57-1371**
AUTHOR : N. GOULET

#	PART #	QTY	TITLE
1	NC13-15-0034	2	RUBBER ABSORBER
2	NC13-25-0378	2	WHITE METAL CONNECTOR
3	39-21-0200	1	HYDRAULIC DISPENSING BLOCK
4	NC13-45-0221	2	HEXAGONAL PLUG
5	NC01-25-0114	8	HEX. BOLT GR5 ZINC 3/8-16 X 1"
6	NC02-32-0012	14	LOCK WASHER ZINC 3/8"
7	NC02-07-0018	8	HEX. NUT ZINC 3/8-16
8	NC02-25-0009	6	FLAT WASHER 14 GA X 13/16"OD X 25/64" ID
9	NC01-25-0112	4	HEX BOLT ZINC 3/8-16 X 3/4"
10	NC02-32-0011	4	LOCK WASHER ZINC 5/16"
11	NC02-07-0017	2	HEX. NUT 5/16-18
12	39-04-0186	1	STOPPER PLATE FOR PEDAL (RIGHT)
13	39-04-0188	1	STOPPER PLATE FOR PEDAL (LEFT)
14	NC01-25-0060	2	HEX. BOLT GR5 ZINC 5/16-18 X 1"
15	NC01-07-0109	2	CARR. BOLT GR5 ZINC 3/8-16 X 1"
16	NC01-25-0120	2	HEX. BOLT ZINC 3/8-16 X 2 1/2"
17	39-50-0225	1	OIL COOLER SUPPORT
18	39-04-0613	1	HYDRAULIC BLOCK SUPPORT
19	NC01-93-0011	2	LOCK NUT 3/8-16
20	39-50-0020	1	OIL FILTER HOLDER
21	39-50-0001	1	FRAME
22	39-42-0160	3	BLACK ADHESIVE-BACK STRIP
23	39-57-0125	1	FOOTBOARD "STICKER INCLUDED"



USE THESE PIECES ONLY IF YOUR SERIAL
NUMBER IS AFFECTED:

#47710 AND ABOVE

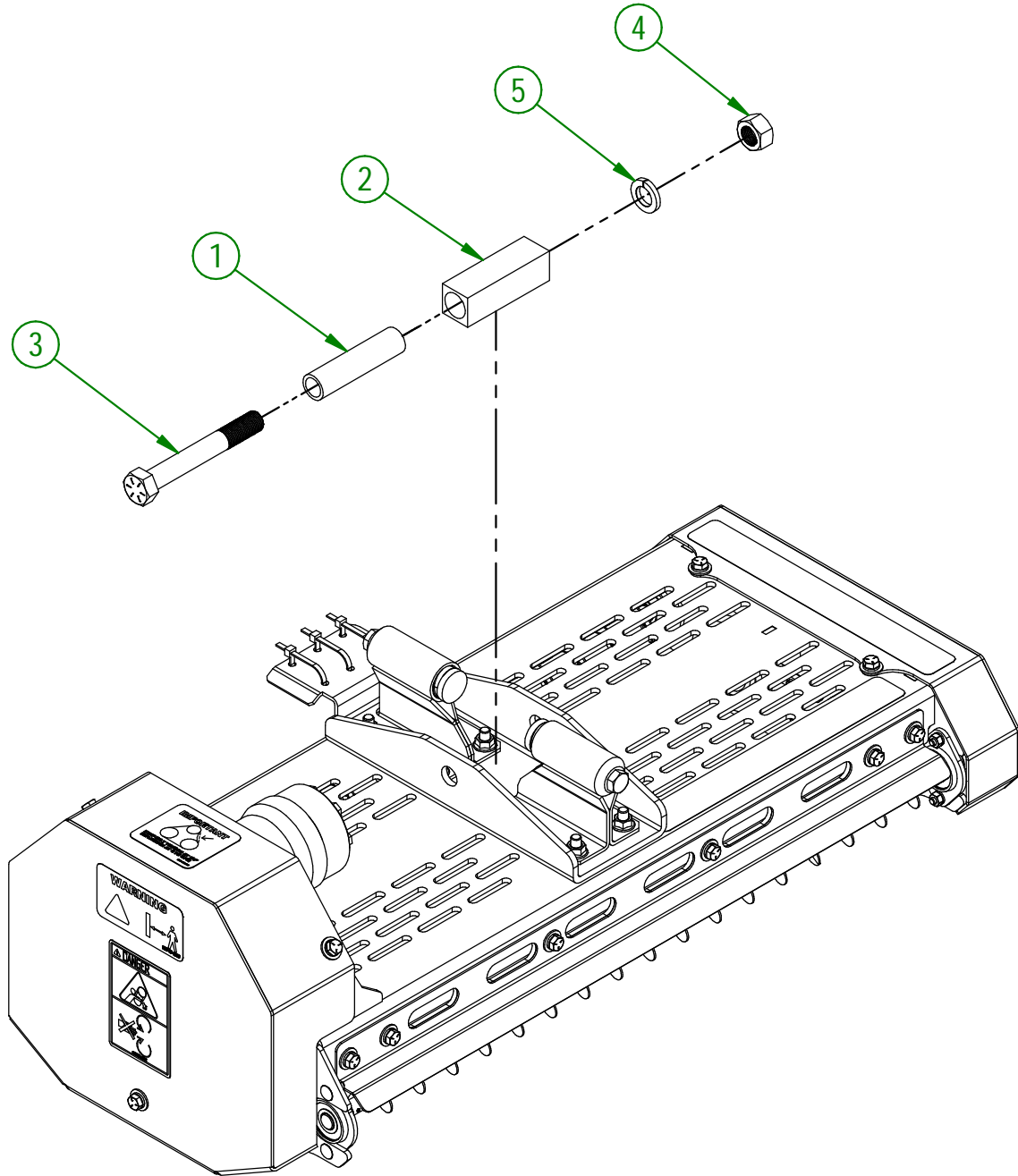
AGRIMETAL FRAME GROUP

CREATION : 01/10/25
REVISION : 01/10/25

ASSEMBLY : **39-57-0425**
AUTHOR : J. Houle

39-57-1102

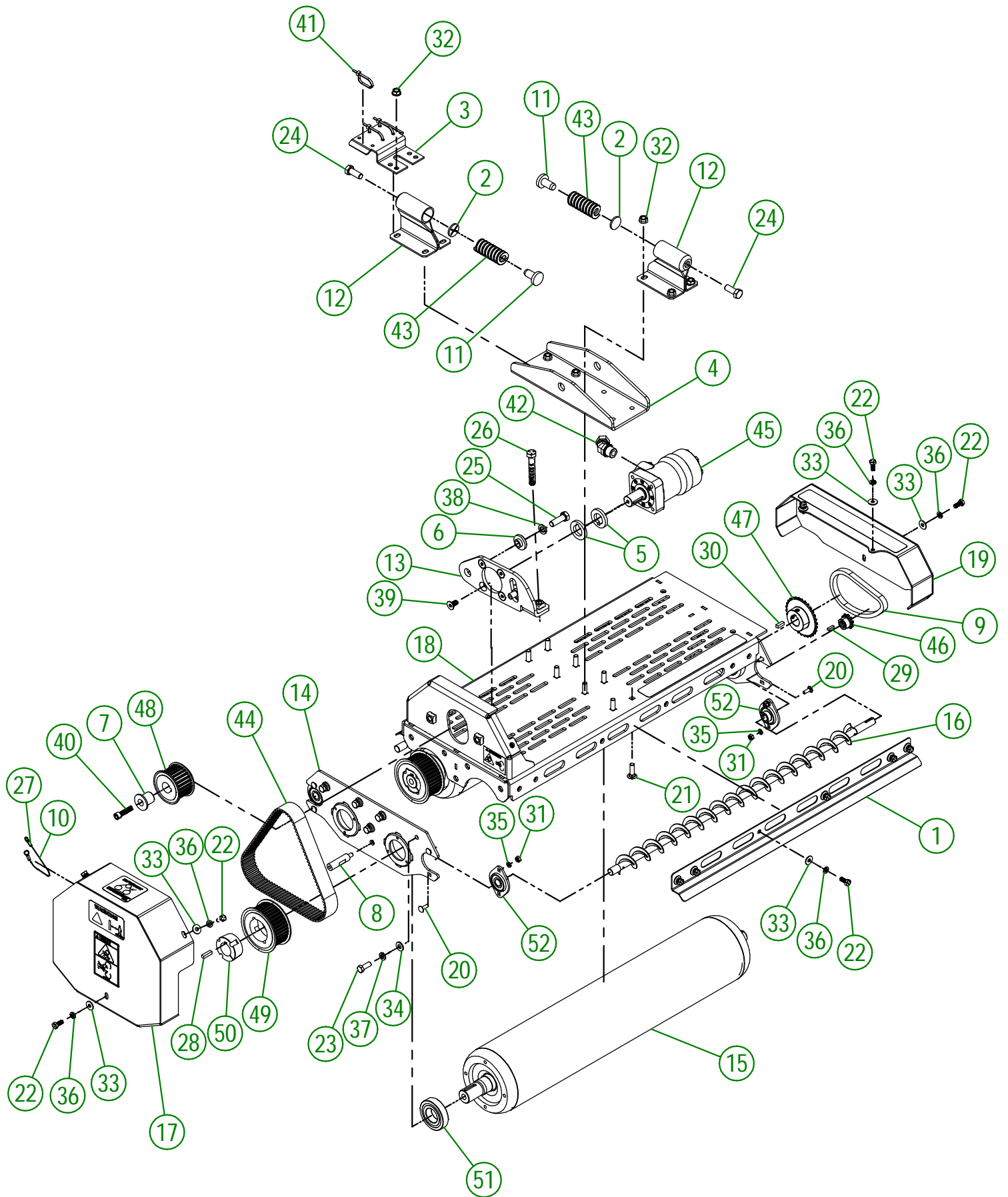
#	PART #	Qty	TITLE
1	39-09-1205	1	BUSHING
2	39-42-0700	1	PIVOTING BLOCK
3	NC01-37-0480	1	HEX. BOLT GR8 ZINC 3/4-16 X 5 1/2"
4	NC02-11-0023	1	NUT 3/4-16
5	NC02-32-0017	1	LOCK WASHER ZINC 3/4"



AGRIMETAL
RIGHT ROLLER GROUP

CREATION : 19/01/26
 REVISION : 16/03/26

ASSEMBLY : **39-57-1102**
 AUTHOR : N. GOULET



USE THESE PIECES ONLY IF YOUR SERIAL NUMBER IS AFFECTED :

48870 AND UNDER

AGRIMETAL
RIGHT ROLLER

CREATION : 20/01/26
REVISION : 18/03/26

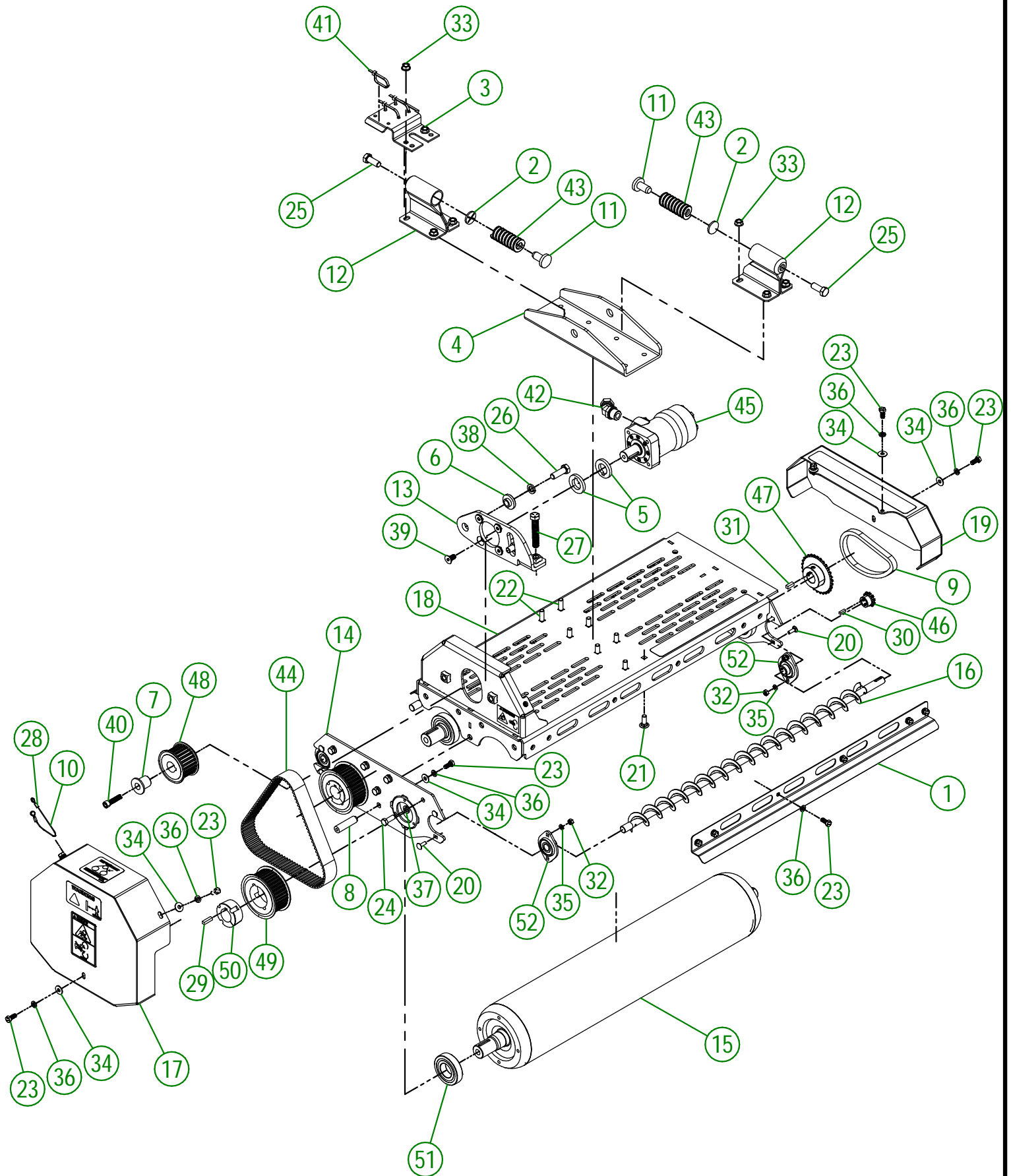
ASSEMBLY : **39-55-0262**
AUTHOR : N. GOULET

39-55-0262

#	PART #	Qty	TITLE
1	39-01-0555	2	BRUSH GUARD
2	39-01-1000	2	SPRING GUIDE WASHER
3	39-01-1051	1	HYDRAULIC HOSE SUPPORT
4	39-04-0225	1	ROLLER SUPPORT
5	39-04-0660	2	PULLEY SPACER
6	39-13-0060	2	GUIDE WASHER
7	39-13-0300	1	PULLEY RETAINER
8	39-13-0410	2	GUARD SUPPORT
9	39-37-0010	2	ROLLER BRUSH CHAIN 15 3/4" LG.
10	39-41-0000	1	BELT GUARD CABLE
11	39-42-0100	2	SPRING TIP
12	39-50-0045	2	SPRING GUIDE
13	39-50-0167	1	BELT TENSIONER
14	39-50-0255	2	ROLLER BEARING SUPPORT
15	39-50-1208	2	ROLLER
16	39-55-0405	2	ROLLER BRUSH
17	39-57-0064	1	BELT GUARD "STICKER INCL."
18	39-57-0420	1	ROLLER HOUSING
19	39-57-0433	1	ROLLER DRIVE GUARD
20	NC01-07-0003	8	CARR. BOLT GR5 ZINC 1/4-20 X 3/4"
21	NC01-07-0110	8	CARR. BOLT GR5 ZINC 3/8-16 X 1 1/4"
22	NC01-25-0058	18	HEX BOLT GR5 ZINC PLATED 5/16-18 X 3/4"
23	NC01-25-0114	10	HEX. BOLT GR5 ZINC 3/8-16 X 1"
24	NC01-25-0248	2	HEX. BOLT GR5 ZINC 1/2-13 X 1 1/4"
25	NC01-25-0249	2	HEX. BOLT GR5 ZINC 1/2-13 X 1 1/2" LG
26	NC01-25-0566	1	FULL THREAD HEX BOLT GR5 ZINC 1/2-13 X 3"
27	NC01-64-0005	2	OVAL SLEEVE (ALUMINUM)
28	NC01-65-0095	2	SQUARE KEY 1/4" X 1"
29	NC01-65-0315	2	SQUARE KEY 3/16" X 5/8"
30	NC01-65-0316	2	SQUARE KEY 1/4" X 3/4"
31	NC02-07-0016	8	HEX. NUT NC ZINC 1/4-20
32	NC02-14-0019	8	FLANGE NUT HEX. NC 3/8-16 GR. B
33	NC02-22-0008	18	WASHER ZINC 5/16"
34	NC02-25-0009	10	WASHER 0.406" I.D. X 0.815 O.D.
35	NC02-32-0010	8	LOCK WASHER ZINC 1/4"
36	NC02-32-0011	18	LOCK WASHER ZINC 5/16"
37	NC02-32-0012	10	LOCK WASHER ZINC 3/8"
38	NC02-32-0014	2	LOCK WASHER ZINC 1/2"
39	NC02-48-0031	4	SOCKET HEAD CAP SCREW 3/8-16 X 3/4"
40	NC02-50-0033	1	SOCKET HEAD SCREW 3/8-16 X 1 1/2"
41	NC13-25-0019	3	NYLON CABLE TIE
42	NC13-45-0046	2	45°-7/8-14 MALE O RING X 1/2 FEM.TOUR.NPT PT
43	NC13-86-0159	2	RED SPRING 1 1/4"OD X 5/8"ID X 2" LG
44	NC14-25-5381	1	SYNCHROCHAIN POLY BELT
45	NC14-45-0041	1	100cc HYDRAULIC MOTOR
46	NC14-55-0345	2	GEAR 35B10

39-55-0262

#	PART #	Qty	TITLE
47	NC14-55-0346	2	GEAR 35B30
48	NC14-60-0013	1	38-C8M-36 STEEL PULLEY
49	NC14-60-0014	2	38-C8M-36 STEEL PULLEY
50	NC14-60-0015	2	TAPER LOCK 1610 X 1 1/4"
51	NC14-75-0071	4	BALL BEARING 6207-2RS KML ONLY
52	NC14-75-0181	4	SBPFL 202-10 5/8"ID BEARING



USE THESE PIECES ONLY IF YOUR SERIAL
NUMBER IS AFFECTED :

48871 AND ABOVE

AGRIMETAL
RIGHT ROLLER

CREATION : 20/01/26
REVISION : 19/03/26

ASSEMBLY : **39-55-0264**
AUTHOR : N. GOULET

39-55-0264

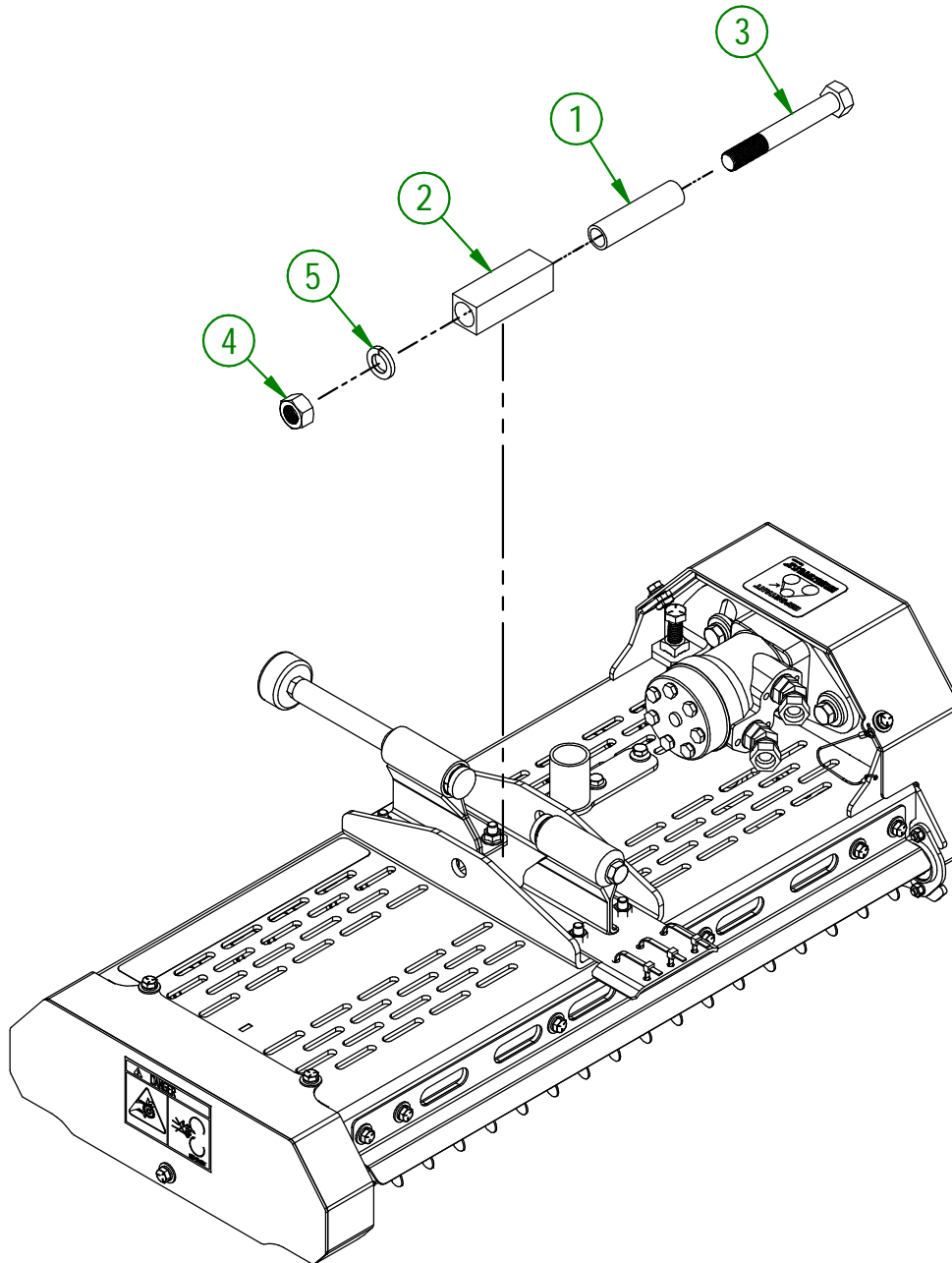
#	PART #	Qty	TITLE
1	39-01-0555	2	BRUSH GUARD
2	39-01-1000	2	SPRING GUIDE WASHER
3	39-01-1051	1	HYDRAULIC HOSE SUPPORT
4	39-04-0225	1	ROLLER SUPPORT
5	39-04-0660	2	PULLEY SPACER
6	39-13-0060	2	GUIDE WASHER
7	39-13-0300	1	PULLEY RETAINER
8	39-13-0411	2	GUARD SUPPORT
9	39-37-0010	2	ROLLER BRUSH CHAIN 15 3/4" LG.
10	39-41-0000	1	BELT GUARD CABLE
11	39-42-0100	2	SPRING TIP
12	39-50-0045	2	SPRING GUIDE
13	39-50-0167	1	BELT TENSIONER
14	39-50-0256	2	ROLLER BEARING SUPPORT
15	39-50-1208	2	ROLLER
16	39-55-0405	2	ROLLER BRUSH
17	39-57-0064	1	BELT GUARD "STICKER INCL."
18	39-57-0420	1	ROLLER HOUSING
19	39-57-0433	1	ROLLER DRIVE GUARD
20	NC01-07-0003	8	CARR. BOLT GR5 ZINC 1/4-20 X 3/4"
21	NC01-07-0109	6	CARR. BOLT GR5 ZINC 3/8-16 X 1"
22	NC01-07-0110	2	CARR. BOLT GR5 ZINC 3/8-16 X 1 1/4"
23	NC01-25-0058	20	HEX BOLT GR5 ZINC PLATED 5/16-18 X 3/4"
24	NC01-25-0114	10	HEX. BOLT GR5 ZINC 3/8-16 X 1"
25	NC01-25-0248	2	HEX. BOLT GR5 ZINC 1/2-13 X 1 1/4"
26	NC01-25-0249	2	HEX. BOLT GR5 ZINC 1/2-13 X 1 1/2" LG
27	NC01-25-0566	1	FULL THREAD HEX BOLT GR5 ZINC 1/2-13 X 3"
28	NC01-64-0005	2	OVAL SLEEVE (ALUMINUM)
29	NC01-65-0095	2	SQUARE KEY 1/4" X 1"
30	NC01-65-0315	2	SQUARE KEY 3/16" X 5/8"
31	NC01-65-0316	2	SQUARE KEY 1/4" X 3/4"
32	NC02-07-0016	8	HEX. NUT NC ZINC 1/4-20
33	NC02-14-0019	8	FLANGE NUT HEX. NC 3/8-16 GR. B
34	NC02-22-0008	8	WASHER ZINC 5/16"
35	NC02-32-0010	8	LOCK WASHER ZINC 1/4"
36	NC02-32-0011	20	LOCK WASHER ZINC 5/16"
37	NC02-32-0012	10	LOCK WASHER ZINC 3/8"
38	NC02-32-0014	2	LOCK WASHER ZINC 1/2"
39	NC02-48-0031	4	SOCKET HEAD CAP SCREW 3/8-16 X 3/4"
40	NC02-50-0033	1	SOCKET HEAD SCREW 3/8-16 X 1 1/2"
41	NC13-25-0019	3	NYLON CABLE TIE
42	NC13-45-0046	2	45°-7/8-14 MALE O RING X 1/2 FEM.TOUR.NPT PT
43	NC13-86-0159	2	RED SPRING 1 1/4"OD X 5/8"ID X 2" LG
44	NC14-25-5381	1	SYNCHROCHAIN POLY BELT
45	NC14-45-0041	1	100cc HYDRAULIC MOTOR
46	NC14-55-0345	2	GEAR 35B10

39-55-0264

#	PART #	Qty	TITLE
47	NC14-55-0346	2	GEAR 35B30
48	NC14-60-0013	1	38-C8M-36 STEEL PULLEY
49	NC14-60-0014	2	38-C8M-36 STEEL PULLEY
50	NC14-60-0015	2	TAPER LOCK 1610 X 1 1/4"
51	NC14-75-0071	4	BALL BEARING 6207-2RS KML ONLY
52	NC14-75-0181	4	SBPFL 202-10 5/8"ID BEARING

39-57-1107

#	PART #	Qty	TITLE
1	39-09-1205	1	BUSHING
2	39-42-0700	1	PIVOTING BLOCK
3	NC01-37-0480	1	HEX. BOLT GR8 ZINC 3/4-16 X 5 1/2"
4	NC02-11-0023	1	NUT 3/4-16
5	NC02-32-0017	1	LOCK WASHER ZINC 3/4"

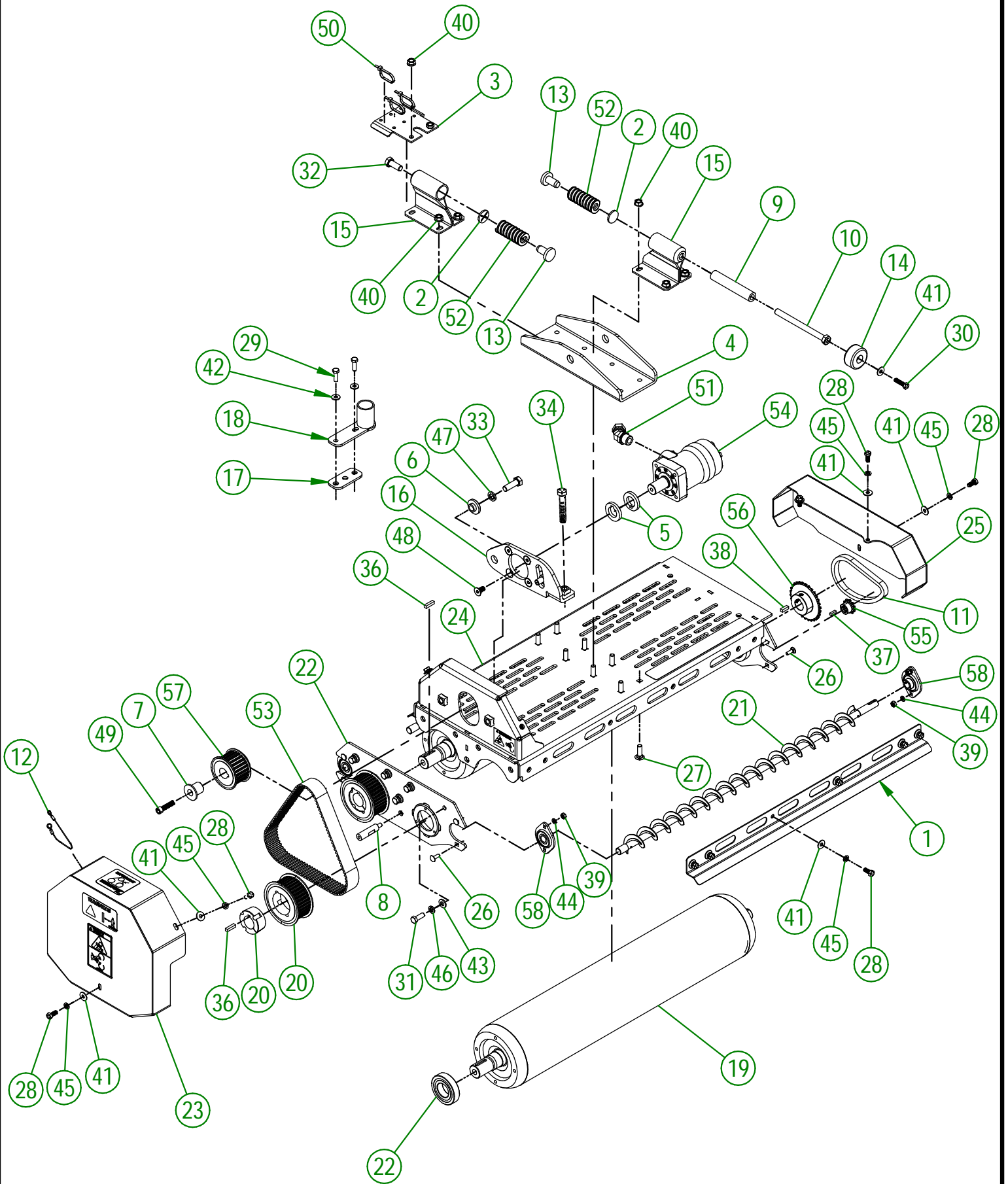


AGRIMETAL

RIGHT ROLLER GROUP

CREATION : 16/01/26
 REVISION : 16/03/26

ASSEMBLY : **39-57-1107**
 AUTHOR : N. GOULET



USE THESE PIECES ONLY IF YOUR SERIAL NUMBER IS AFFECTED :

48870 AND UNDER

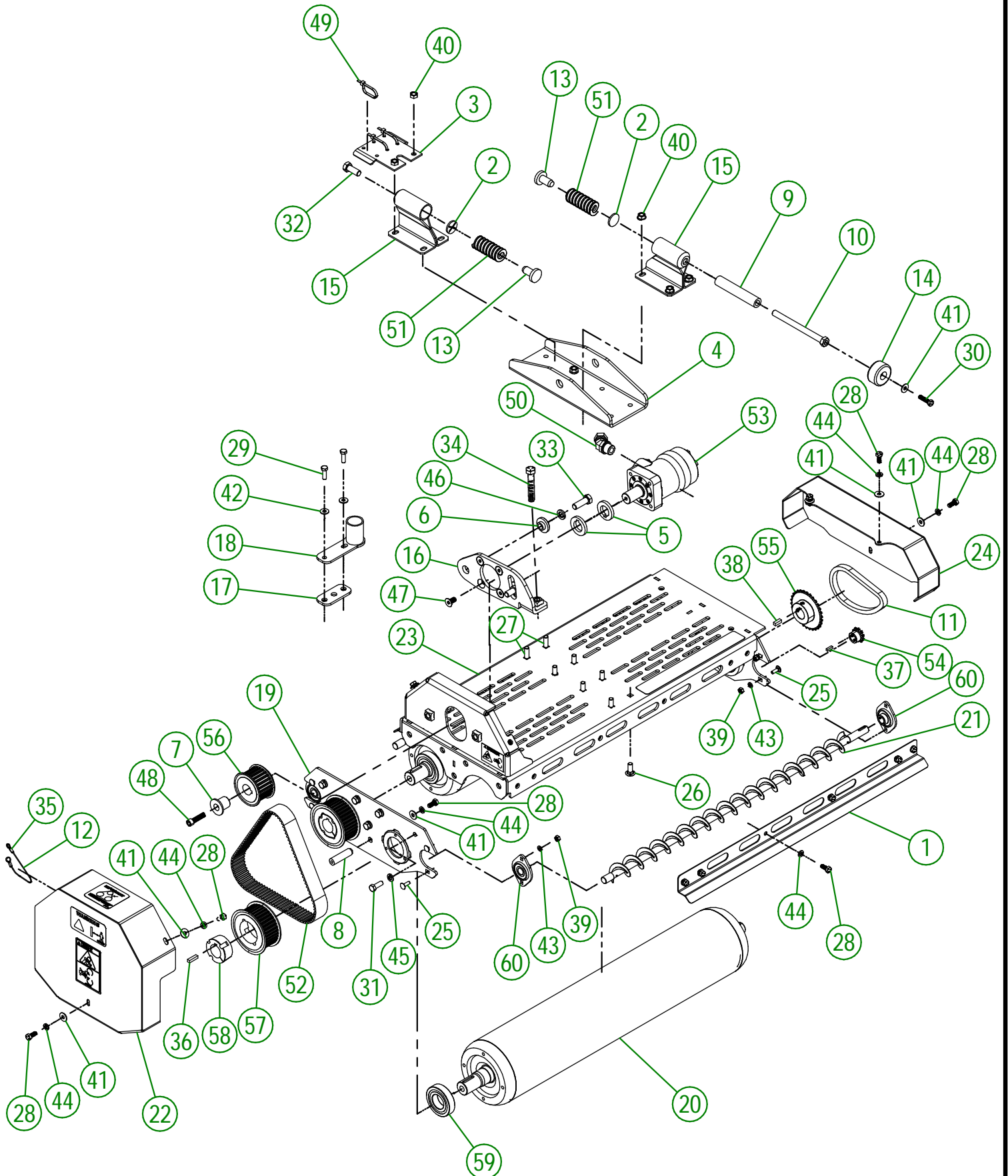
AGRIMETAL	
RIGHT ROLLER	
CREATION : 19/01/26	ASSEMBLY : 39-55-0268
REVISION : 18/03/26	AUTHOR : N. GOULET

39-55-0268

#	PART #	Qty	TITLE
1	39-01-0555	2	BRUSH GUARD
2	39-01-1000	2	SPRING GUIDE WASHER
3	39-01-1050	1	HYDRAULIC HOSE SUPPORT
4	39-04-0225	1	ROLLER SUPPORT
5	39-04-0660	2	PULLEY SPACER
6	39-13-0060	2	GUIDE WASHER
7	39-13-0300	1	PULLEY RETAINER
8	39-13-0410	2	GUARD SUPPORT
9	39-21-0035	1	RAMP STOP SPACER
10	39-30-9959	1	RAMP STOP SPACER
11	39-37-0010	2	ROLLER BRUSH CHAIN 15 3/4" LG.
12	39-41-0000	1	BELT GUARD CABLE
13	39-42-0100	2	SPRING TIP
14	39-42-0165	1	RETAINER
15	39-50-0045	2	SPRING GUIDE
16	39-50-0167	1	BELT TENSIONER
17	39-50-0220	1	BACK PLATE
18	39-50-0230	1	FLAG HOLDER
19	39-50-1208	2	ROLLER
20	39-55-0295	2	PRE-ASS. STEEL PULLEY AND CORE 38-C8M-36
21	39-55-0405	2	ROLLER BRUSH
22	39-55-1050	2	ROLLER BEARING SUPPORT
23	39-57-0064	1	BELT GUARD "STICKER INCL."
24	39-57-0420	1	ROLLER HOUSING
25	39-57-0430	1	ROLLER DRIVE GUARD
26	NC01-07-0003	8	CARR. BOLT GR5 ZINC 1/4-20 X 3/4"
27	NC01-07-0110	8	CARR. BOLT GR5 ZINC 3/8-16 X 1 1/4"
28	NC01-25-0058	18	HEX BOLT GR5 ZINC PLATED 5/16-18 X 3/4"
29	NC01-25-0060	2	HEX. BOLT GR5 ZINC 5/16-18 X 1"
30	NC01-25-0061	1	HEX BOLT ZINC 5/6-18 X 1 1/4"
31	NC01-25-0114	10	HEX. BOLT GR5 ZINC 3/8-16 X 1"
32	NC01-25-0248	1	HEX. BOLT GR5 ZINC 1/2-13 X 1 1/4"
33	NC01-25-0249	2	HEX. BOLT GR5 ZINC 1/2-13 X 1 1/2" LG
34	NC01-25-0566	1	FULL THREAD HEX BOLT GR5 ZINC 1/2-13 X 3"
35	NC01-64-0005	2	OVAL SLEEVE (ALUMINUM)
36	NC01-65-0095	2	SQUARE KEY 1/4" X 1"
37	NC01-65-0315	2	SQUARE KEY 3/16" X 5/8"
38	NC01-65-0316	2	SQUARE KEY 1/4" X 3/4"
39	NC02-07-0016	8	HEX. NUT NC ZINC 1/4-20
40	NC02-14-0019	8	FLANGE NUT HEX. NC 3/8-16 GR. B
41	NC02-22-0008	19	WASHER ZINC 5/16"
42	NC02-22-0008	2	WASHER ZINC 5/16"
43	NC02-25-0009	10	WASHER 0.406" I.D. X 0.815 O.D.
44	NC02-32-0010	8	LOCK WASHER ZINC 1/4"
45	NC02-32-0011	18	LOCK WASHER ZINC 5/16"
46	NC02-32-0012	10	LOCK WASHER ZINC 3/8"

39-55-0268

#	PART #	Qty	TITLE
47	NC02-32-0014	2	LOCK WASHER ZINC 1/2"
48	NC02-48-0031	4	SOCKET HEAD CAP SCREW 3/8-16 X 3/4"
49	NC02-50-0033	1	SOCKET HEAD SCREW 3/8-16 X 1 1/2"
50	NC13-25-0019	3	NYLON CABLE TIE
51	NC13-45-0046	2	45°-7/8-14 MALE O RING X 1/2 FEM.TOUR.NPT PT
52	NC13-86-0159	2	RED SPRING I 1/4"OD X 5/8"ID X 2" LG
53	NC14-25-5381	1	SYNCHROCHAIN POLY BELT
54	NC14-45-0040	1	50cc HYDRAULIC MOTOR
55	NC14-55-0345	2	GEAR 35B10
56	NC14-55-0346	2	GEAR 35B30
57	NC14-60-0013	1	38-C8M-36 STEEL PULLEY
58	NC14-75-0181	4	SBPFL 202-10 5/8"ID BEARING



USE THESE PIECES ONLY IF YOUR SERIAL NUMBER IS AFFECTED :

48871 AND ABOVE

AGRIMETAL
RIGHT ROLLER

CREATION : 19/01/26
REVISION : 19/03/26

ASSEMBLY : **39-55-0269**
AUTHOR : N. GOULET

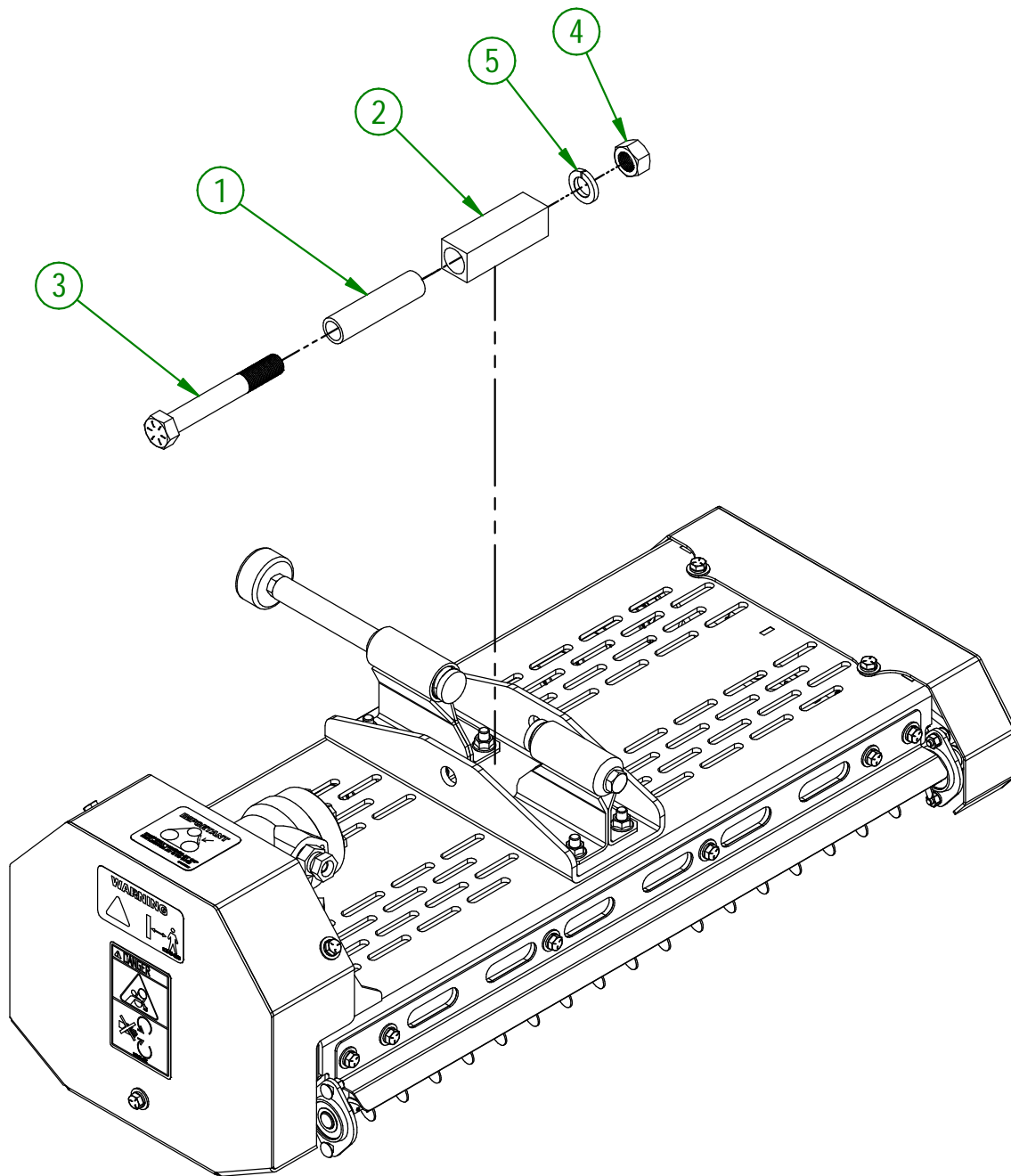
39-55-0269

#	PART #	Qty	TITLE
1	39-01-0555	2	BRUSH GUARD
2	39-01-1000	2	SPRING GUIDE WASHER
3	39-01-1050	1	HYDRAULIC HOSE SUPPORT
4	39-04-0225	1	ROLLER SUPPORT
5	39-04-0660	2	PULLEY SPACER
6	39-13-0060	2	GUIDE WASHER
7	39-13-0300	1	PULLEY RETAINER
8	39-13-0411	2	GUARD SUPPORT
9	39-21-0035	1	RAMP STOP SPACER
10	39-30-9959	1	RAMP STOP SPACER
11	39-37-0010	2	ROLLER BRUSH CHAIN 15 3/4" LG.
12	39-41-0000	1	BELT GUARD CABLE
13	39-42-0100	2	SPRING TIP
14	39-42-0165	1	RETAINER
15	39-50-0045	2	SPRING GUIDE
16	39-50-0167	1	BELT TENSIONER
17	39-50-0220	1	BACK PLATE
18	39-50-0230	1	FLAG HOLDER
19	39-50-0256	2	ROLLER BEARING SUPPORT
20	39-50-1208	2	ROLLER
21	39-55-0405	2	ROLLER BRUSH
22	39-57-0064	1	BELT GUARD "STICKER INCL."
23	39-57-0420	1	ROLLER HOUSING
24	39-57-0430	1	ROLLER DRIVE GUARD
25	NC01-07-0003	8	CARR. BOLT GR5 ZINC 1/4-20 X 3/4"
26	NC01-07-0109	6	CARR. BOLT GR5 ZINC 3/8-16 X 1"
27	NC01-07-0110	2	CARR. BOLT GR5 ZINC 3/8-16 X 1 1/4"
28	NC01-25-0058	20	HEX BOLT GR5 ZINC PLATED 5/16-18 X 3/4"
29	NC01-25-0060	2	HEX. BOLT GR5 ZINC 5/16-18 X 1"
30	NC01-25-0061	1	HEX BOLT ZINC 5/6-18 X 1 1/4"
31	NC01-25-0114	10	HEX. BOLT GR5 ZINC 3/8-16 X 1"
32	NC01-25-0248	1	HEX. BOLT GR5 ZINC 1/2-13 X 1 1/4"
33	NC01-25-0249	2	HEX. BOLT GR5 ZINC 1/2-13 X 1 1/2" LG
34	NC01-25-0566	1	FULL THREAD HEX BOLT GR5 ZINC 1/2-13 X 3"
35	NC01-64-0005	2	OVAL SLEEVE (ALUMINUM)
36	NC01-65-0095	2	SQUARE KEY 1/4" X 1"
37	NC01-65-0315	2	SQUARE KEY 3/16" X 5/8"
38	NC01-65-0316	2	SQUARE KEY 1/4" X 3/4"
39	NC02-07-0016	8	HEX. NUT NC ZINC 1/4-20
40	NC02-14-0019	8	FLANGE NUT HEX. NC 3/8-16 GR. B
41	NC02-22-0008	9	WASHER ZINC 5/16"
42	NC02-22-0008	2	WASHER ZINC 5/16"
43	NC02-32-0010	8	LOCK WASHER ZINC 1/4"
44	NC02-32-0011	20	LOCK WASHER ZINC 5/16"
45	NC02-32-0012	10	LOCK WASHER ZINC 3/8"
46	NC02-32-0014	2	LOCK WASHER ZINC 1/2"

39-55-0269

#	PART #	Qty	TITLE
47	NC02-48-0031	4	SOCKET HEAD CAP SCREW 3/8-16 X 3/4"
48	NC02-50-0033	1	SOCKET HEAD SCREW 3/8-16 X 1 1/2"
49	NC13-25-0019	3	NYLON CABLE TIE
50	NC13-45-0046	2	45°-7/8-14 MALE O RING X 1/2 FEM.TOUR.NPT PT
51	NC13-86-0159	2	RED SPRING 1 1/4"OD X 5/8"ID X 2" LG
52	NC14-25-5381	1	SYNCHROCHAIN POLY BELT
53	NC14-45-0040	1	50cc HYDRAULIC MOTOR
54	NC14-55-0345	2	GEAR 35B10
55	NC14-55-0346	2	GEAR 35B30
56	NC14-60-0013	1	38-C8M-36 STEEL PULLEY
57	NC14-60-0014	2	38-C8M-36 STEEL PULLEY
58	NC14-60-0015	2	TAPER LOCK 1610 X 1 1/4"
59	NC14-75-0071	4	BALL BEARING 6207-2RS KML ONLY
60	NC14-75-0181	4	SBPFL 202-10 5/8"ID BEARING

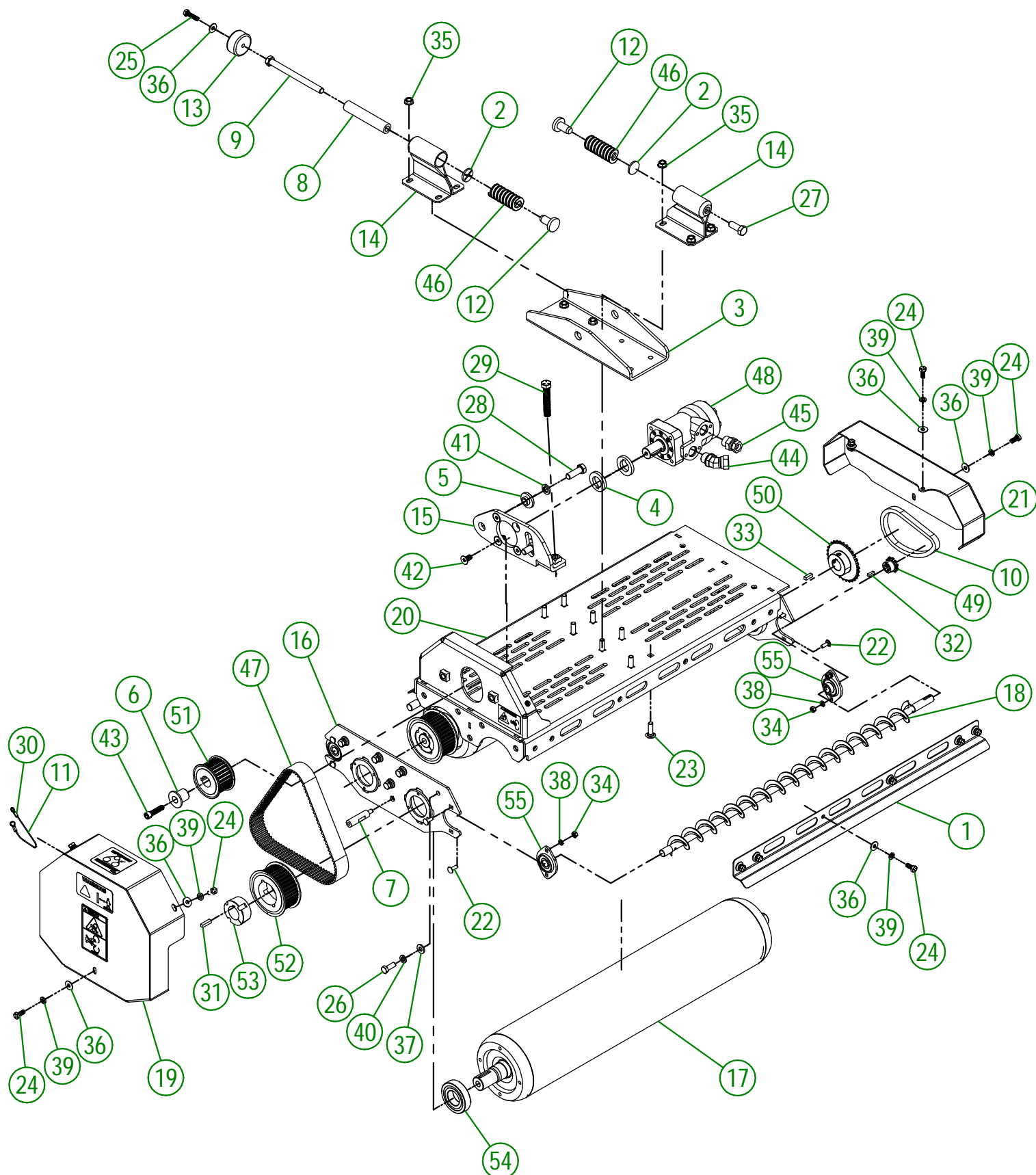
#	PART #	Qty	TITLE
1	39-09-1205	1	BUSHING
2	39-42-0700	1	PIVOTING BLOCK
3	NC01-37-0480	1	HEX. BOLT GR8 ZINC 3/4-16 X 5 1/2"
4	NC02-11-0023	1	NUT 3/4-16
5	NC02-32-0017	1	LOCK WASHER ZINC 3/4"



AGRIMETAL
RIGHT ROLLER GROUP

CREATION : 20/01/26
 REVISION : 16/03/26

ASSEMBLY : **39-57-1112**
 AUTHOR : N. GOULET



USE THESE PIECES ONLY IF YOUR SERIAL NUMBER IS AFFECTED :

48870 AND UNDER

AGRIMETAL
RIGHT ROLLER

CREATION : 20/01/26
REVISION : 18/03/26

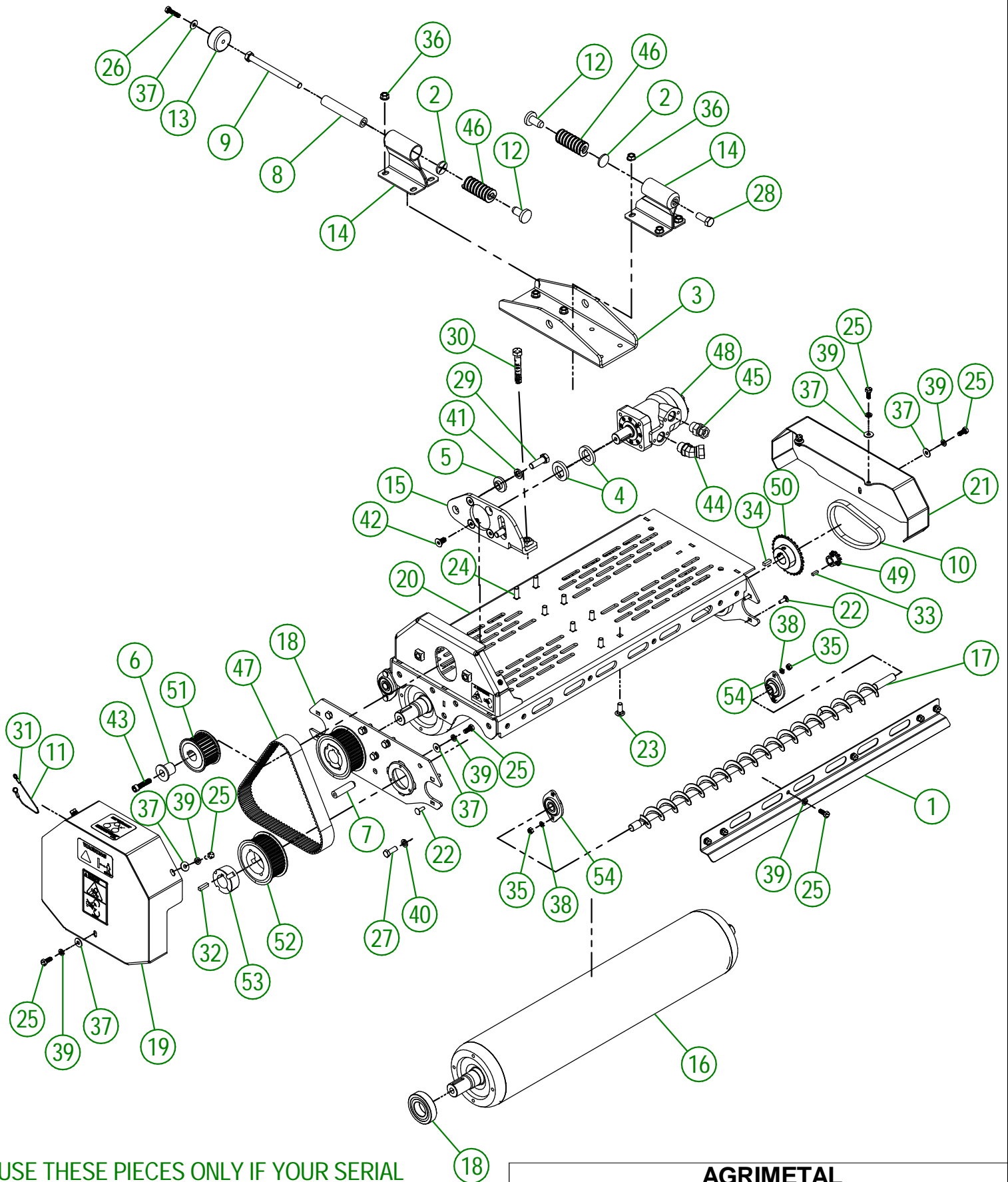
ASSEMBLY : **39-55-0273**
AUTHOR : N. GOULET

39-55-0273

#	PART #	Qty	TITLE
1	39-01-0555	2	BRUSH GUARD
2	39-01-1000	2	SPRING GUIDE WASHER
3	39-04-0225	1	ROLLER SUPPORT
4	39-04-0660	2	PULLEY SPACER
5	39-13-0060	2	GUIDE WASHER
6	39-13-0300	1	PULLEY RETAINER
7	39-13-0410	2	GUARD SUPPORT
8	39-21-0035	1	RAMP STOP SPACER
9	39-30-9959	1	RAMP STOP SPACER
10	39-37-0010	2	ROLLER BRUSH CHAIN 15 3/4" LG.
11	39-41-0000	1	BELT GUARD CABLE
12	39-42-0100	2	SPRING TIP
13	39-42-0165	1	RETAINER
14	39-50-0045	2	SPRING GUIDE
15	39-50-0167	1	BELT TENSIONER
16	39-50-0255	2	ROLLER BEARING SUPPORT
17	39-50-1208	2	ROLLER
18	39-55-0405	2	ROLLER BRUSH
19	39-57-0064	1	BELT GUARD "STICKER INCL."
20	39-57-0423	1	ROLLER HOUSING RIGHT
21	39-57-0430	1	ROLLER DRIVE GUARD
22	NC01-07-0003	8	CARR. BOLT GR5 ZINC 1/4-20 X 3/4"
23	NC01-07-0110	8	CARR. BOLT GR5 ZINC 3/8-16 X 1 1/4"
24	NC01-25-0058	18	HEX BOLT GR5 ZINC PLATED 5/16-18 X 3/4"
25	NC01-25-0061	1	HEX BOLT ZINC 5/6-18 X 1 1/4"
26	NC01-25-0114	10	HEX. BOLT GR5 ZINC 3/8-16 X 1"
27	NC01-25-0248	1	HEX. BOLT GR5 ZINC 1/2-13 X 1 1/4"
28	NC01-25-0249	2	HEX. BOLT GR5 ZINC 1/2-13 X 1 1/2" LG
29	NC01-25-0566	1	FULL THREAD HEX BOLT GR5 ZINC 1/2-13 X 3"
30	NC01-64-0005	2	OVAL SLEEVE (ALUMINUM)
31	NC01-65-0095	2	SQUARE KEY 1/4" X 1"
32	NC01-65-0315	2	SQUARE KEY 3/16" X 5/8"
33	NC01-65-0316	2	SQUARE KEY 1/4" X 3/4"
34	NC02-07-0016	8	HEX. NUT NC ZINC 1/4-20
35	NC02-14-0019	8	FLANGE NUT HEX. NC 3/8-16 GR. B
36	NC02-22-0008	19	WASHER ZINC 5/16"
37	NC02-25-0009	10	WASHER 0.406" I.D. X 0.815 O.D.
38	NC02-32-0010	8	LOCK WASHER ZINC 1/4"
39	NC02-32-0011	18	LOCK WASHER ZINC 5/16"
40	NC02-32-0012	10	LOCK WASHER ZINC 3/8"
41	NC02-32-0014	2	LOCK WASHER ZINC 1/2"
42	NC02-48-0031	4	SOCKET HEAD CAP SCREW 3/8-16 X 3/4"
43	NC02-50-0033	1	SOCKET HEAD SCREW 3/8-16 X 1 1/2"
44	NC13-45-0046	1	45°-7/8-14 MALE O RING X 1/2 FEM.TOUR.NPT PT
45	NC13-45-0073	1	STRAIGHT 7/8-14 MALE SAE10 O-RING X 3/8 FEM. TOUR. NPT
46	NC13-86-0159	2	RED SPRING 1 1/4"OD X 5/8"ID X 2" LG

39-55-0273

#	PART #	Qty	TITLE
47	NC14-25-5381	1	SYNCHROCHAIN POLY BELT
48	NC14-45-0040	1	50cc HYDRAULIC MOTOR
49	NC14-55-0345	2	GEAR 35B10
50	NC14-55-0346	2	GEAR 35B30
51	NC14-60-0013	1	38-C8M-36 STEEL PULLEY
52	NC14-60-0014	2	38-C8M-36 STEEL PULLEY
53	NC14-60-0015	2	TAPER LOCK 1610 X 1 1/4"
54	NC14-75-0071	4	BALL BEARING 6207-2RS KML ONLY
55	NC14-75-0181	4	SBPFL 202-10 5/8"ID BEARING



USE THESE PIECES ONLY IF YOUR SERIAL NUMBER IS AFFECTED :

48871 AND ABOVE

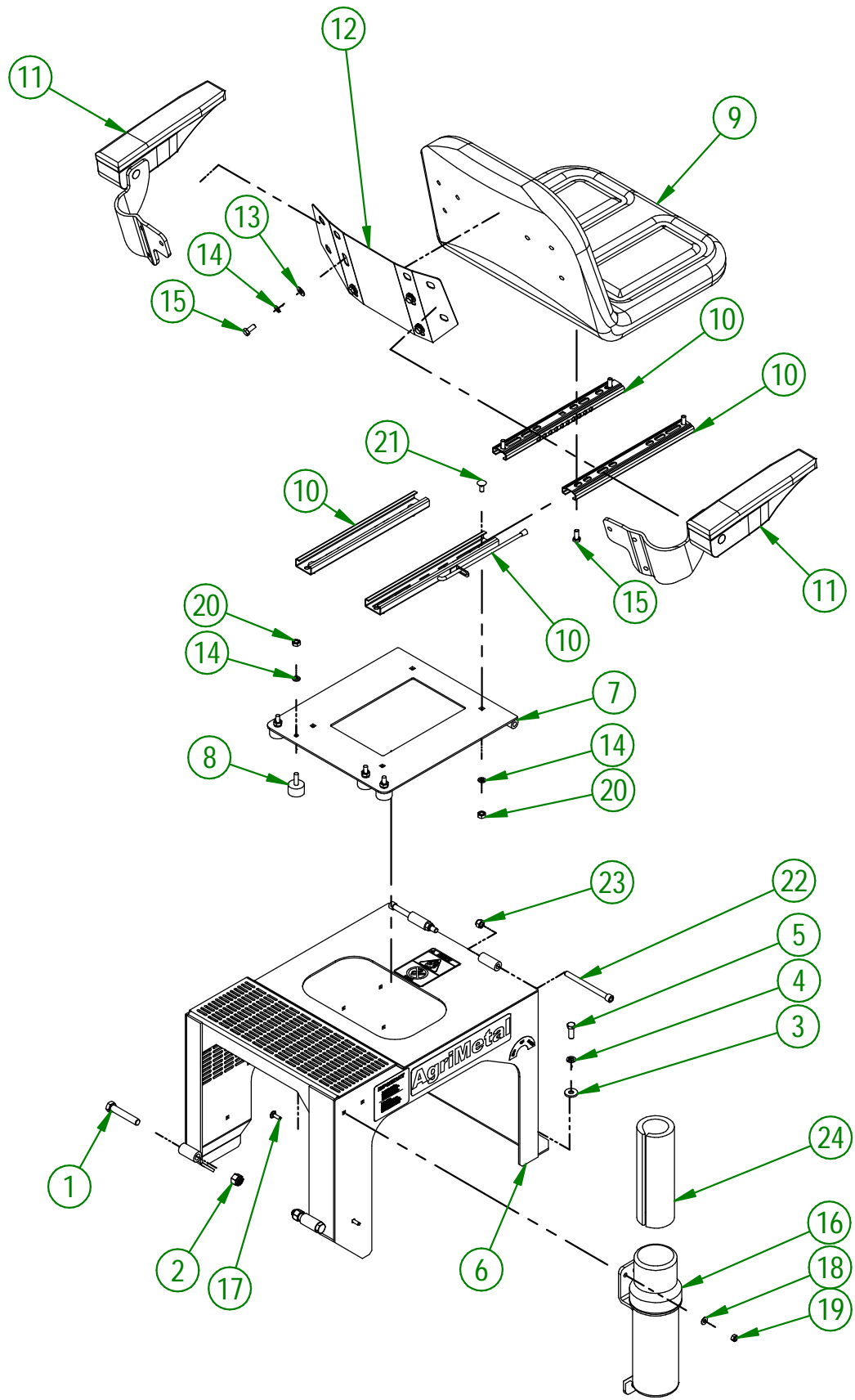
AGRIMETAL	
RIGHT ROLLER	
CREATION : 20/01/26	ASSEMBLY : 39-55-0274
REVISION : 19/03/26	AUTHOR : N. GOULET

39-55-0274

#	PART #	Qty	TITLE
1	39-01-0555	2	BRUSH GUARD
2	39-01-1000	2	SPRING GUIDE WASHER
3	39-04-0225	1	ROLLER SUPPORT
4	39-04-0660	2	PULLEY SPACER
5	39-13-0060	2	GUIDE WASHER
6	39-13-0300	1	PULLEY RETAINER
7	39-13-0411	2	GUARD SUPPORT
8	39-21-0035	1	RAMP STOP SPACER
9	39-30-9959	1	RAMP STOP SPACER
10	39-37-0010	2	ROLLER BRUSH CHAIN 15 3/4" LG.
11	39-41-0000	1	BELT GUARD CABLE
12	39-42-0100	2	SPRING TIP
13	39-42-0165	1	RETAINER
14	39-50-0045	2	SPRING GUIDE
15	39-50-0167	1	BELT TENSIONER
16	39-50-1208	2	ROLLER
17	39-55-0405	2	ROLLER BRUSH
18	39-55-1051	2	ROLLER BEARING SUPPORT
19	39-57-0064	1	BELT GUARD "STICKER INCL."
20	39-57-0423	1	ROLLER HOUSING RIGHT
21	39-57-0430	1	ROLLER DRIVE GUARD
22	NC01-07-0003	8	CARR. BOLT GR5 ZINC 1/4-20 X 3/4"
23	NC01-07-0109	6	CARR. BOLT GR5 ZINC 3/8-16 X 1"
24	NC01-07-0110	2	CARR. BOLT GR5 ZINC 3/8-16 X 1 1/4"
25	NC01-25-0058	20	HEX BOLT GR5 ZINC PLATED 5/16-18 X 3/4"
26	NC01-25-0061	1	HEX BOLT ZINC 5/6-18 X 1 1/4"
27	NC01-25-0114	10	HEX. BOLT GR5 ZINC 3/8-16 X 1"
28	NC01-25-0248	1	HEX. BOLT GR5 ZINC 1/2-13 X 1 1/4"
29	NC01-25-0249	2	HEX. BOLT GR5 ZINC 1/2-13 X 1 1/2" LG
30	NC01-25-0566	1	FULL THREAD HEX BOLT GR5 ZINC 1/2-13 X 3"
31	NC01-64-0005	2	OVAL SLEEVE (ALUMINUM)
32	NC01-65-0095	2	SQUARE KEY 1/4" X 1"
33	NC01-65-0315	2	SQUARE KEY 3/16" X 5/8"
34	NC01-65-0316	2	SQUARE KEY 1/4" X 3/4"
35	NC02-07-0016	8	HEX. NUT NC ZINC 1/4-20
36	NC02-14-0019	8	FLANGE NUT HEX. NC 3/8-16 GR. B
37	NC02-22-0008	9	WASHER ZINC 5/16"
38	NC02-32-0010	8	LOCK WASHER ZINC 1/4"
39	NC02-32-0011	20	LOCK WASHER ZINC 5/16"
40	NC02-32-0012	10	LOCK WASHER ZINC 3/8"
41	NC02-32-0014	2	LOCK WASHER ZINC 1/2"
42	NC02-48-0031	4	SOCKET HEAD CAP SCREW 3/8-16 X 3/4"
43	NC02-50-0033	1	SOCKET HEAD SCREW 3/8-16 X 1 1/2"
44	NC13-45-0046	1	45°-7/8-14 MALE O RING X 1/2 FEM.TOUR.NPT PT
45	NC13-45-0073	1	STRAIGHT 7/8-14 MALE SAE10 O-RING X 3/8 FEM. TOUR. NPT
46	NC13-86-0159	2	RED SPRING 1 1/4"OD X 5/8"ID X 2" LG

39-55-0274

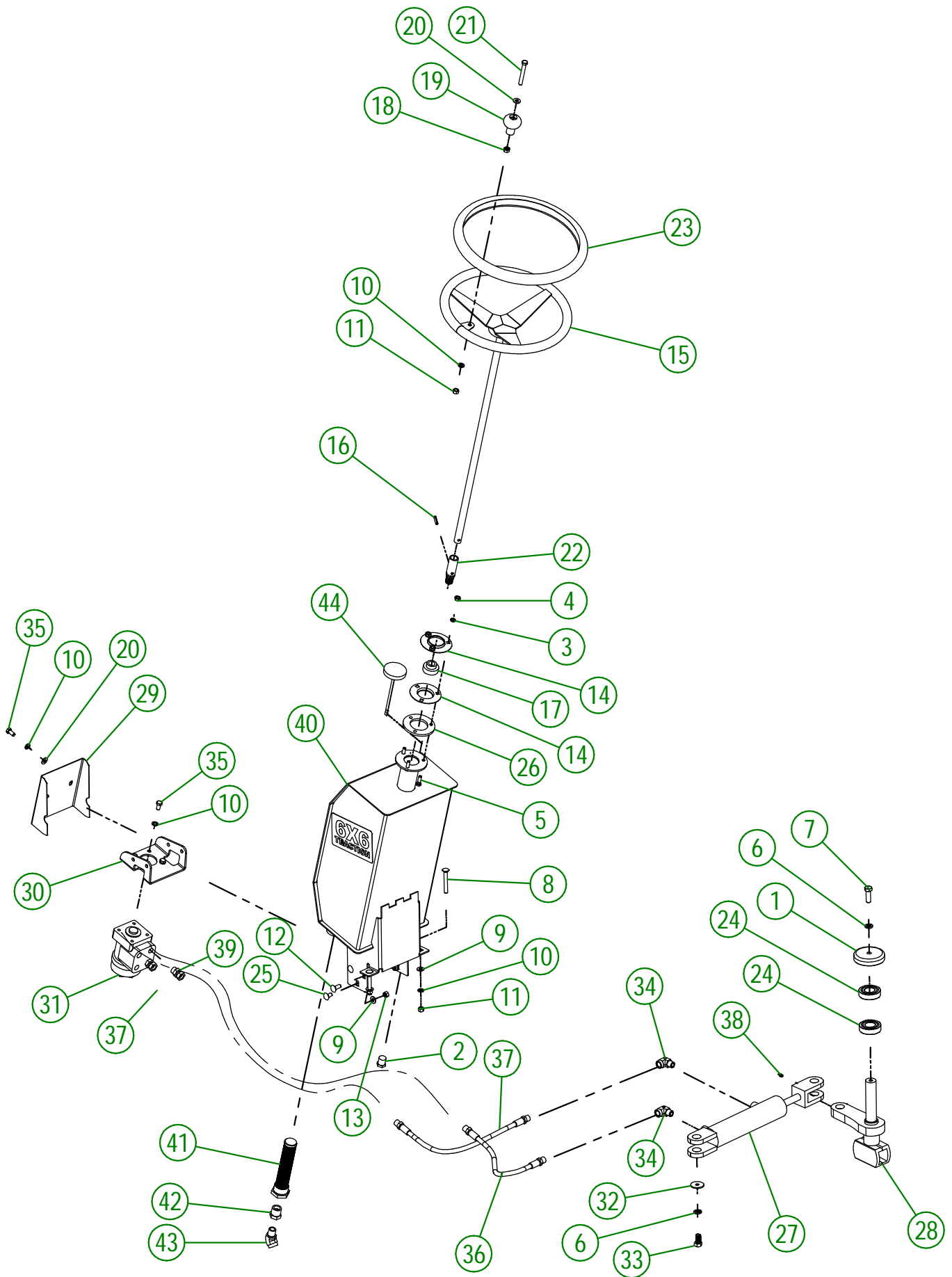
#	PART #	Qty	TITLE
47	NC14-25-5381	1	SYNCHROCHAIN POLY BELT
48	NC14-45-0040	1	50cc HYDRAULIC MOTOR
49	NC14-55-0345	2	GEAR 35B10
50	NC14-55-0346	2	GEAR 35B30
51	NC14-60-0013	1	38-C8M-36 STEEL PULLEY
52	NC14-60-0014	2	38-C8M-36 STEEL PULLEY
53	NC14-60-0015	2	TAPER LOCK 1610 X 1 1/4"
54	NC14-75-0181	4	SBPFL 202-10 5/8"ID BEARING



AGRIMETAL	
ENGINE COVER GROUP	
CREATION : 12/03/24	ASSEMBLY : 39-57-0380
REVISION : 12/03/24	AUTHOR : D. CHASSÉ

39-57-0380

#	PART #	Qty	TITLE
1	NC01-17-0254	2	HEX. BOLT GR2 ZINC 1/2-13 X 2 1/2"
2	NC01-96-0014	2	NYLON-INSERT LOCKNUT ZINC 1/2-13
3	21-01-0950	2	FLAT WASHER 10GA 1.005" DIA X 25/64"
4	NC02-32-0012	2	LOCK WASHER ZINC 3/8"
5	NC01-17-0114	2	HEX. BOLT GR2 ZINC 3/8-16 X 1"
6	39-57-0012	1	ENGINE COVER
7	39-50-0115	1	SEAT FOLDER HOLDER
8	NC13-15-0034	4	RUBBER ABSORBER
9	NC13-80-0200	1	SEAT
10	NC13-80-0201	1	SET OF SEAT RAIL
11	NC13-80-0295	1	ARMRESTS
12	39-01-0400	1	BACK REST SEAT REINFORCEMENT
13	01-01-2485	4	FLAT WASHER 14 GA X 13/16"OD X 25/64" ID
14	NC02-32-0011	12	LOCK WASHER ZINC 5/16"
15	NC01-17-0058	8	HEX. BOLT GR2 ZINC 5/16-18 X 3/4" LG
16	NC13-30-0237	1	PLASTIC TUBE FOR OPERATOR'S MANUAL
17	NC01-04-0003	3	CARR. BOLT GR2 ZINC 1/4-20 X 3/4"
18	NC02-25-0007	3	WASHER ZINC 0.281 = 9/32
19	NC01-96-0009	3	NYLON-INSERT LOCKNUT ZINC 1/4-20
20	NC02-07-0017	8	HEX. NUT 5/16-18
21	NC01-04-0056	4	CARR. BOLT 5/16-18 X3/4"
22	NC02-50-0112	2	HEX. BOLT GR2 ZINC 3/8-16 X 4 1/2"
23	NC01-96-0011	2	NYLON NUT 3/8-16
24	39-98-0631	1	OPERATOR'S MANUAL



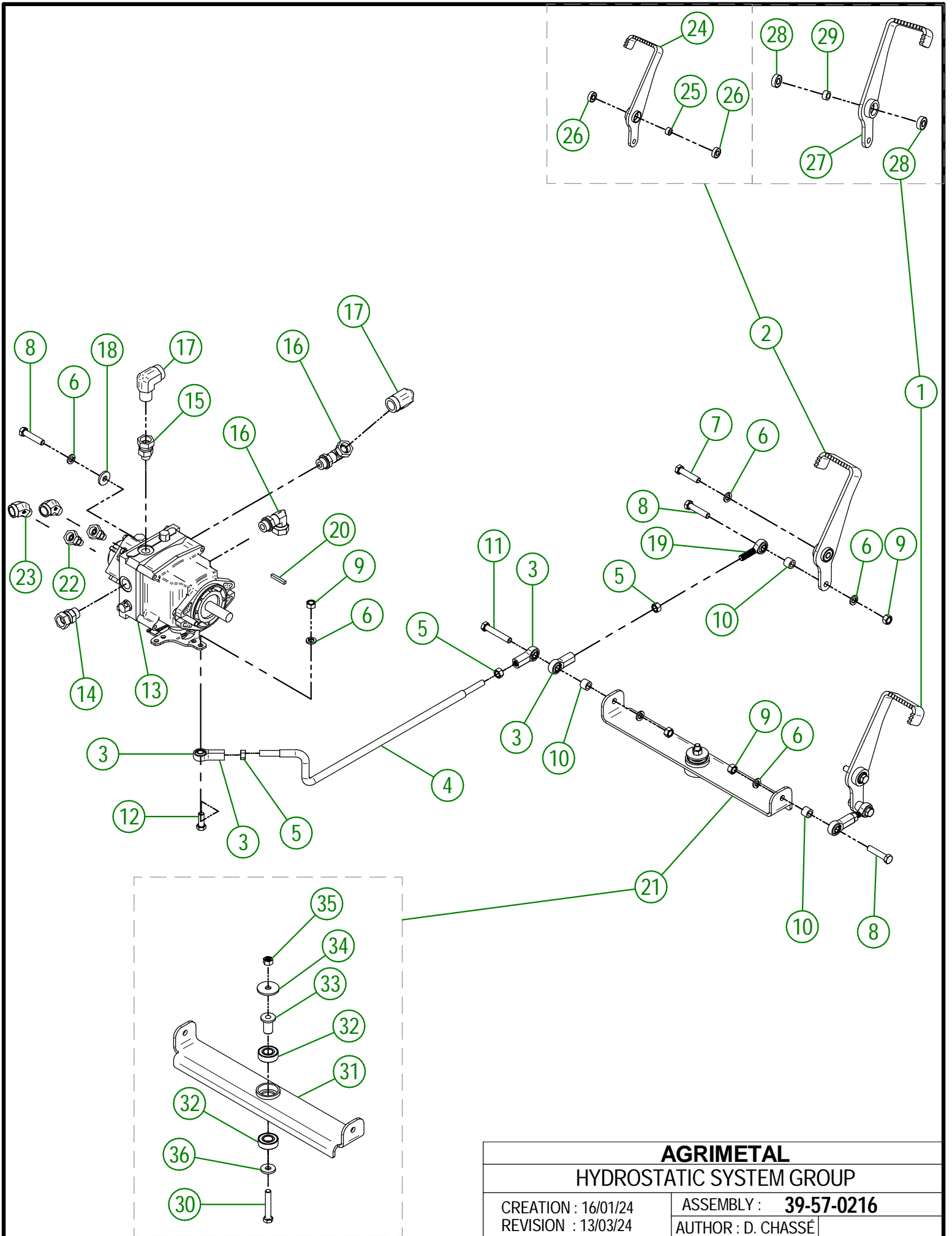
AGRIMETAL
STEERING SYSTEM GROUP

CREATION : 16/01/24
 REVISION : 19/03/25

ASSEMBLY : **39-57-0048**
 AUTHOR : D. Bevins

39-57-0048

#	PART #	Qty	TITLE
1	39-21-0000	1	STEERING PLATE SHAFT COVER
2	NC13-45-0015	1	HEX. CAP 1/2 NPTF MALE
3	NC02-32-0011	3	LOCK WASHER ZINC 5/16"
4	NC02-07-0017	3	HEX. NUT 5/16-18
5	NC01-17-0060	3	HEX. BOLT GR2 ZINC 5/16-18 X 1"
6	NC02-32-0014	2	LOCK WASHER ZINC 1/2"
7	NC01-17-0249	1	HEX. BOLT GR2 ZINC 1/2-13 X 1 1/2"
8	NC01-04-0116	2	CARR. BOLT GR2 ZINC 3/8-16 X 2 3/4"
9	01-01-2485	8	FLAT WASHER 14 GA X 13/16"OD X 25/64" ID
10	NC02-32-0012	9	LOCK WASHER ZINC 3/8"
11	NC02-07-0018	3	HEX. NUT ZINC 3/8-16
12	NC01-04-0109	4	CARR. BOLT GR2 ZINC 3/8-16 X 1"
13	NC01-93-0011	6	LOCK NUT 3/8-16
14	NC14-75-0008	2	STEEL BEARING ONLY 3 HOLES F4 3 9/16" OD
15	39-50-0081	1	STEERING WHEEL
16	NC01-69-0459	1	ZINC SPRING PIN TENDER DIA. 1/4" X 1 1/4"
17	NC14-75-0014	1	STEEL BEARING SB 204-12 X 3/4" ID
18	NC01-96-0011	1	NYLON NUT 3/8-16
19	NC17-46-0018	1	HANDLE KNOB
20	NC17-57-0016	3	FLAT WASHER 14 GA X 13/16"OD X 25/64" ID
21	NC01-17-0122	1	HEX. BOLT GR2 ZINC 3/8-16 X 3"
22	39-20-0005	1	STEERING SHAFT ADAPTER
23	NC13-80-0254	1	STEERING WHEEL COVER
24	NC14-75-0091	2	6206 ZZ BEARING
25	NC01-04-0107	2	CARR. BOLT GR2 ZINC 3/8-16 X 3/4"
26	39-04-0275	1	STEERING SHAFT BEARING SUPPORT
27	NC13-45-0370	1	HYDRAULIC CYLINDER 6"
28	39-50-0071	1	STEERING PLATE
29	39-01-0080	1	STEERING SHAFT GUARD
30	39-04-0195	1	HYDRAULIQUE CONTROL SUPPORT
31	NC14-45-0151	1	HYDRAULIC STEERING ASSIST
32	NC02-26-0504	1	WASHER
33	NC01-17-0247	1	HEX. BOLT GR2 ZINC 1/2-13 X 1"
34	NC13-45-0038	2	ELBOW 90 3/8 FEM. NPT X 3/8 MALE NPT
35	NC01-17-0112	6	HEX. BOLT GR2 ZINC 3/8-16 X 3/4"
36	NC17-02-0437	1	HYD. HOSE 3/8 X 18"OAL 3/8 NPTMALE RIG.X 3/8NPTMALE RIG
37	NC17-02-0437	1	HYD. HOSE 3/8 X 18"OAL 3/8 NPTMALE RIG.X 3/8NPTMALE RIG
38	NC01-69-0785	1	STRAIGHT GREASE FITTING 1/4-28
39	NC13-45-0036	4	STRAIGHT REDUCER 3/4-16 MALE SAE8 O RING X 3/8 FEMALE SWIVEL
40	39-57-0008	1	OIL TANK
41	NC13-45-0381	1	TANK STRAINER
42	NC13-45-0032	1	STRAIGHT HOSE FITTING 1/2 FEM. NPT X 3/4 MALE NPT
43	NC13-45-0086	1	ELBOW 45 1/2 FEM. NPT X 1/2 MALE NPT
44	NC13-80-0311	1	CAP WITH DIPSTICK



AGRIMETAL	
HYDROSTATIC SYSTEM GROUP	
CREATION : 16/01/24	ASSEMBLY : 39-57-0216
REVISION : 13/03/24	AUTHOR : D. CHASSÉ

39-57-0216

#	PART #	Qty	TITLE
1	39-55-0026	1	RIGHT PEDAL
2	39-55-0021	1	LEFT PEDAL
3	NC01-67-0104	4	INTERNALLY THREADED BALL JOINT ROD ENDS 3/8-24
4	39-13-0401	1	HYDROSTATIC CONTROL ROD
5	NC02-10-0018	4	NUT 3/8-24
6	NC02-32-0012	9	LOCK WASHER ZINC 3/8"
7	NC01-33-0117	2	CARR. BOLT GR8 ZINC 3/8-16 X 1 3/4"
8	NC01-17-0117	5	HEX. BOLT GR2 ZINC 3/8-16 X 1 3/4"
9	NC02-07-0018	5	HEX. NUT ZINC 3/8-16
10	39-09-0050	4	PEDAL SYSTEM BUSHING
11	NC01-17-0119	1	HEX. BOLT GR2 ZINC 3/8-16 X 2 1/4"
12	NC01-17-0114	1	HEX. BOLT GR2 ZINC 3/8-16 X 1"
13	NC14-45-0153	1	HYDROSTATIC MOTOR
14	NC13-45-0106	1	STRAIGHT REDUCER 3/4-16 MALE SAE8 O RING X 1/2 FEMALE
15	NC13-45-0220	1	STRAIGHT 9/16 MALE ORING X 1/2 FEMALE NPT
16	NC13-45-0203	2	ELBOW 90° 3/4 MALE ORING X 1/2 FEMALE NPT
17	NC13-45-0025	2	ELBOW 90° 1/2 FEMALE NPT X 1/2 MALE NPT
18	21-01-0950	2	FLAT WASHER 10GA 1.005" DIA X 25/64"
19	NC01-67-0304	2	BALL JOINTS ROD ENDS 3/8-24
20	01-41-0905	1	SQUARE KEY 3/16" X 1 1/4"TL
21	39-57-0220	1	PEDAL JUNCTION ARM
22	NC13-45-0401	2	STRAIGHT REDUCER 7/16-20 MALE SAE4 O RING X 3/8 FEMALE SWIVEL
23	NC13-45-0085	2	45° ELBOW 3/8" NPT MALE X 3/8" NPT FEMALE

39-55-0021

#	PART #	Qty	TITLE
24	39-50-0111	1	LEFT PEDAL
25	01-09-0005	1	BUSHING
26	NC14-75-0153	2	BALL BEARING R6 2RS 3/8" X 7/8" X 0.281"

39-55-0026

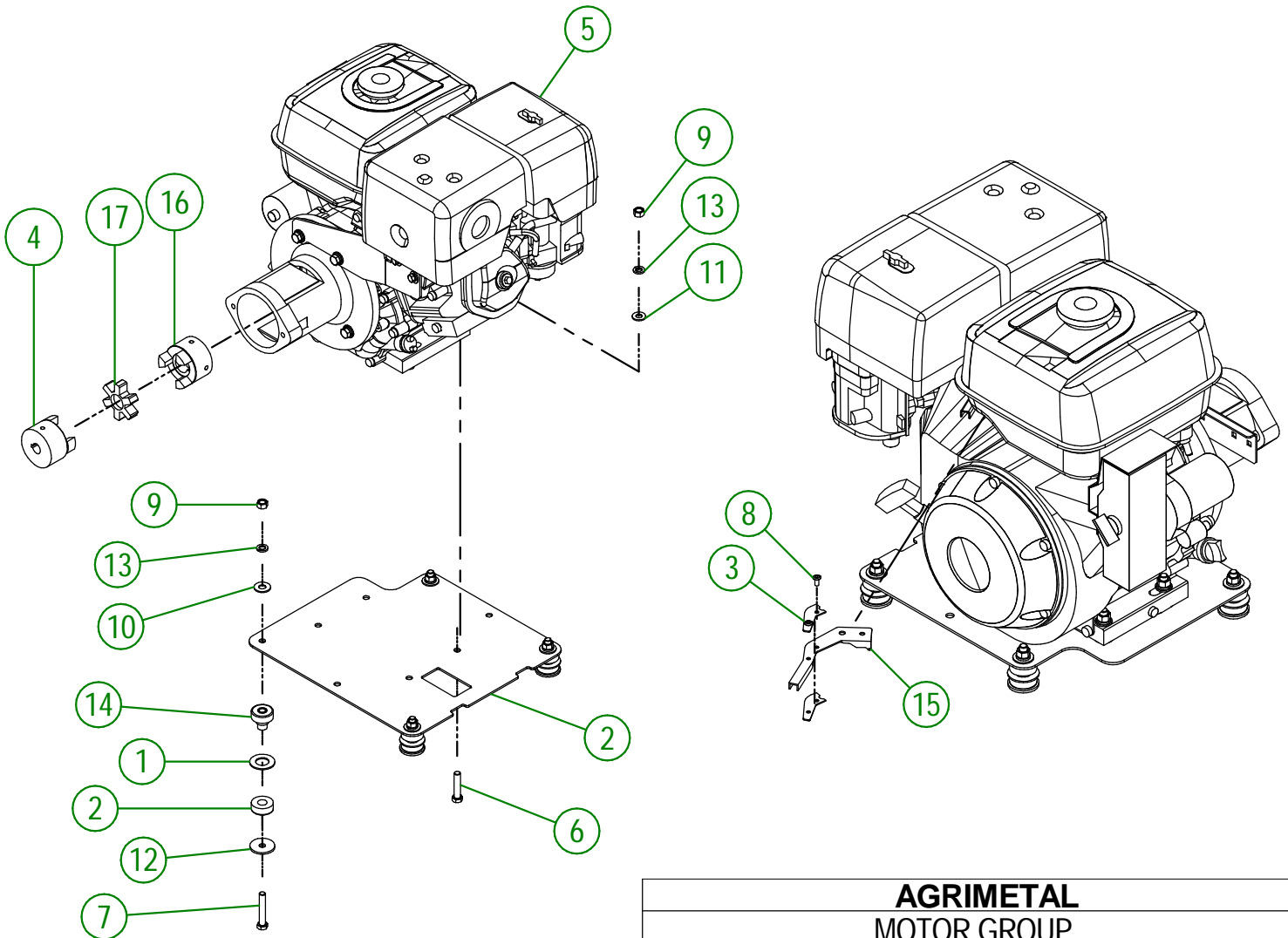
#	PART #	Qty	TITLE
27	39-50-0106	1	RIGHT PEDAL
28	NC14-75-0153	2	BALL BEARING R6 2RS 3/8" X 7/8" X 0.281"
29	01-09-0005	1	BUSHING

39-57-0220

#	PART #	Qty	TITLE
30	NC01-37-0119	1	HEX BOLT GR8 ZINC 3/8-24 X 2 1/4"
31	39-50-0042	1	PEDALS UNION
32	NC14-75-0068	2	BALL BEARING 99502H
33	39-13-0200	1	JONCTION ARM PIVOT
34	01-33-0010	1	WASHER
35	NC01-94-0011	1	LOCK NUT 3/8-24
36	21-01-0950	1	FLAT WASHER 10GA 1.005" DIA X 25/64"

39-57-0119

#	PART #	Qty	TITLE
1	26-03-4800	4	WASHER
2	39-01-0360	1	MOTOR BASE
3	39-03-0015	2	CARBURETOR LEVER REINFORCEMENT
4	39-46-3500	1	HYDROSTATIC COUPLING HUB
5	39-55-0032	1	13 HP 18 AMP HONDA MOTOR WITH STARTER
6	NC01-25-0117	4	HEX. BOLT GR5 ZINC 3/8-16 X 1 3/4" LG
7	NC01-25-0119	4	HEX. BOLT GR5 NC ZINC 3/8-16 X 2"
8	NC01-78-0015	2	RIVET 3/16"
9	NC02-07-0018	8	HEX. NUT ZINC 3/8-16
10	NC02-22-0010	4	WASHER 13/32" ID
11	NC02-25-0009	4	FLAT WASHER 14 GA X 13/16"OD X 25/64" ID
12	NC02-26-0504	4	WASHER
13	NC02-32-0012	8	LOCK WASHER ZINC 3/8"
14	NC13-15-0059	4	YELLOW RUBBER BASE MOUNT
15	NC13-37-0693	1	THROTTLE LEVER
16	NC14-05-0029	1	COUPLING (LOVEJOY) CXL100 X 1" ID
17	NC14-05-0030	1	COUPLING (LOVEJOY) RUBBER N100

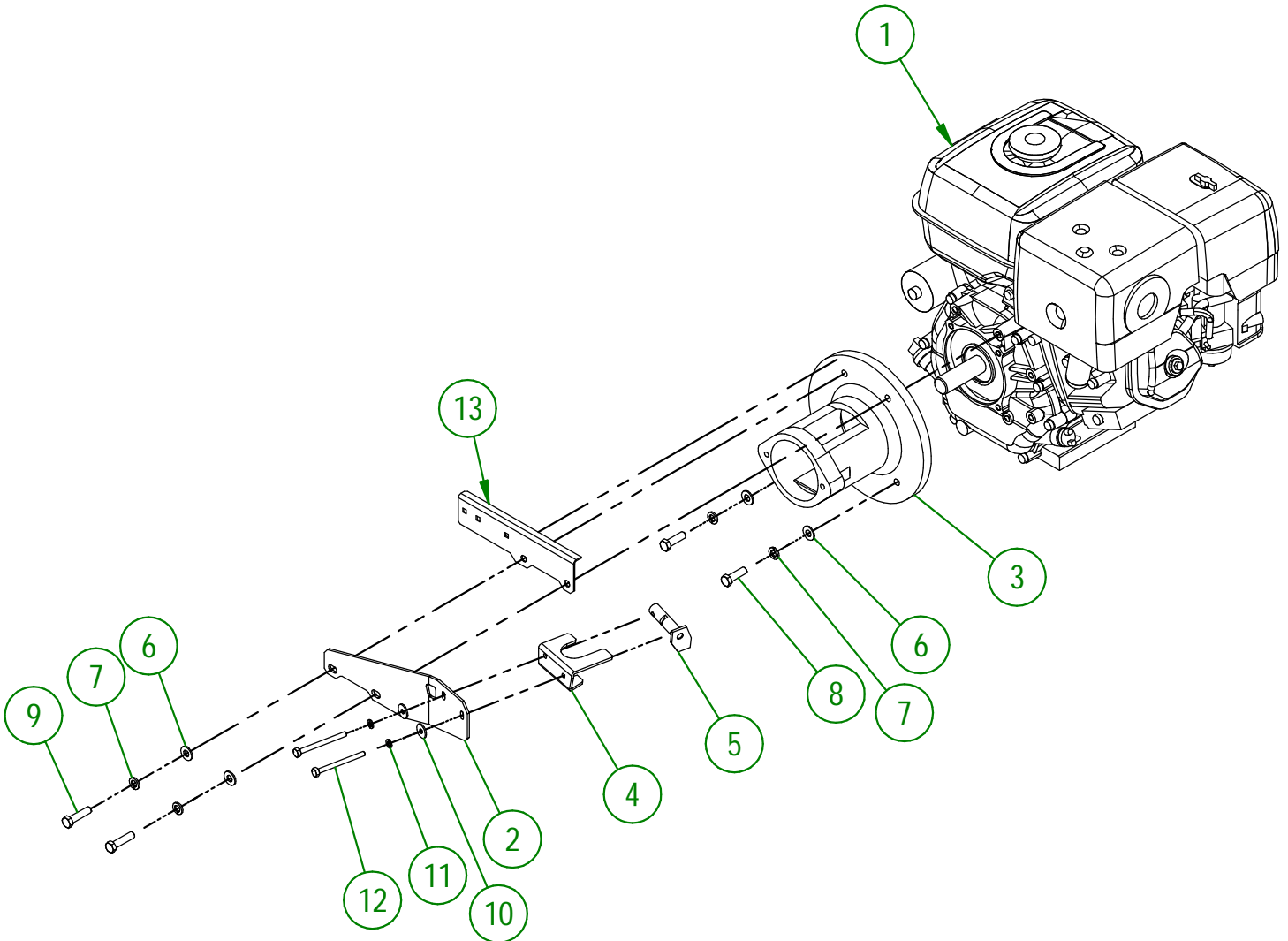


AGRIMETAL
MOTOR GROUP

CREATION : 22/01/24
REVISION : 08/12/25

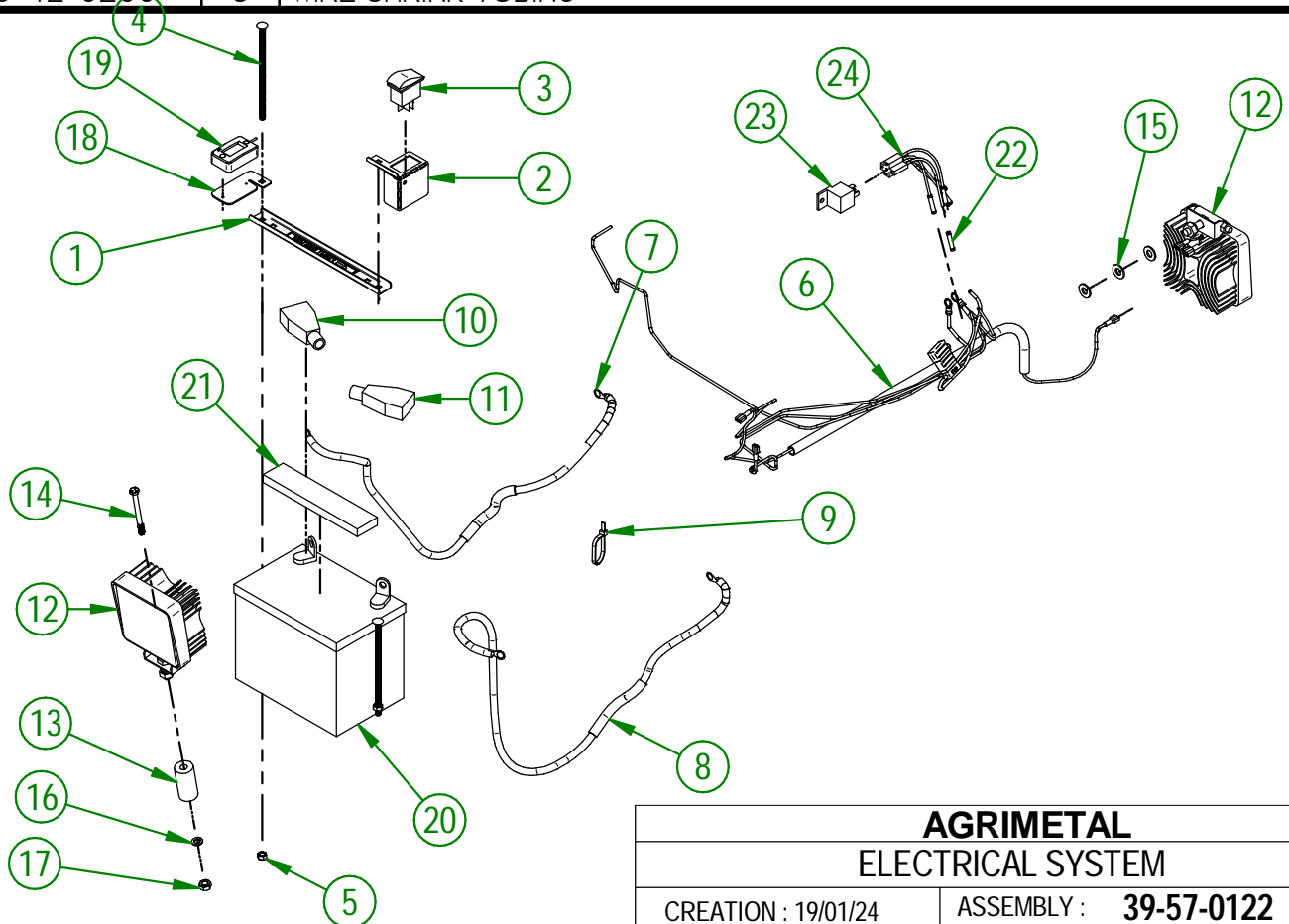
ASSEMBLY : **39-57-0119**
AUTHOR : dessin3

#	PART #	Qty	TITLE
1	NC14-40-0008	1	13 HP HONDA MOTOR GX390 WITH STARTER
2	39-01-1090	1	MUFFLER SUPPORT
3	39-50-0120	1	FUEL ENGINE ADAPTER FOR HYDROSTATIC PUMP
4	39-01-1080	1	MUFFLER SUPPORT
5	39-50-0085	1	MUFFLER SUPPORT
6	01-01-2485	4	FLAT WASHER 14 GA X 13/16"OD X 25/64" ID
7	NC02-32-0012	4	LOCK WASHER ZINC 3/8"
8	NC01-17-0115	2	HEX. BOLT GR2 ZINC 3/8-16 X 1 1/4"
9	NC01-17-0116	2	HEX. BOLT GR2 ZINC 3/8-16 X 1 1/2"
10	36-01-2430	2	FLAT WASHER 14GA X 17/64" I.D. X 13/16" O.D.
11	NC02-32-0010	2	LOCK WASHER ZINC 1/4"
12	NC01-37-0014	2	HEX. BOLT GR8 ZINC 1/4-28 X 3"
13	39-01-2405	1	VOLTAGE REGULATOR HOLDER



AGRIMETAL	
13 HP 18 AMP HONDA MOTOR WITH STARTER	
CREATION : 22/01/24	ASSEMBLY : 39-55-0032
REVISION : 21/02/24	AUTHOR : dessin3

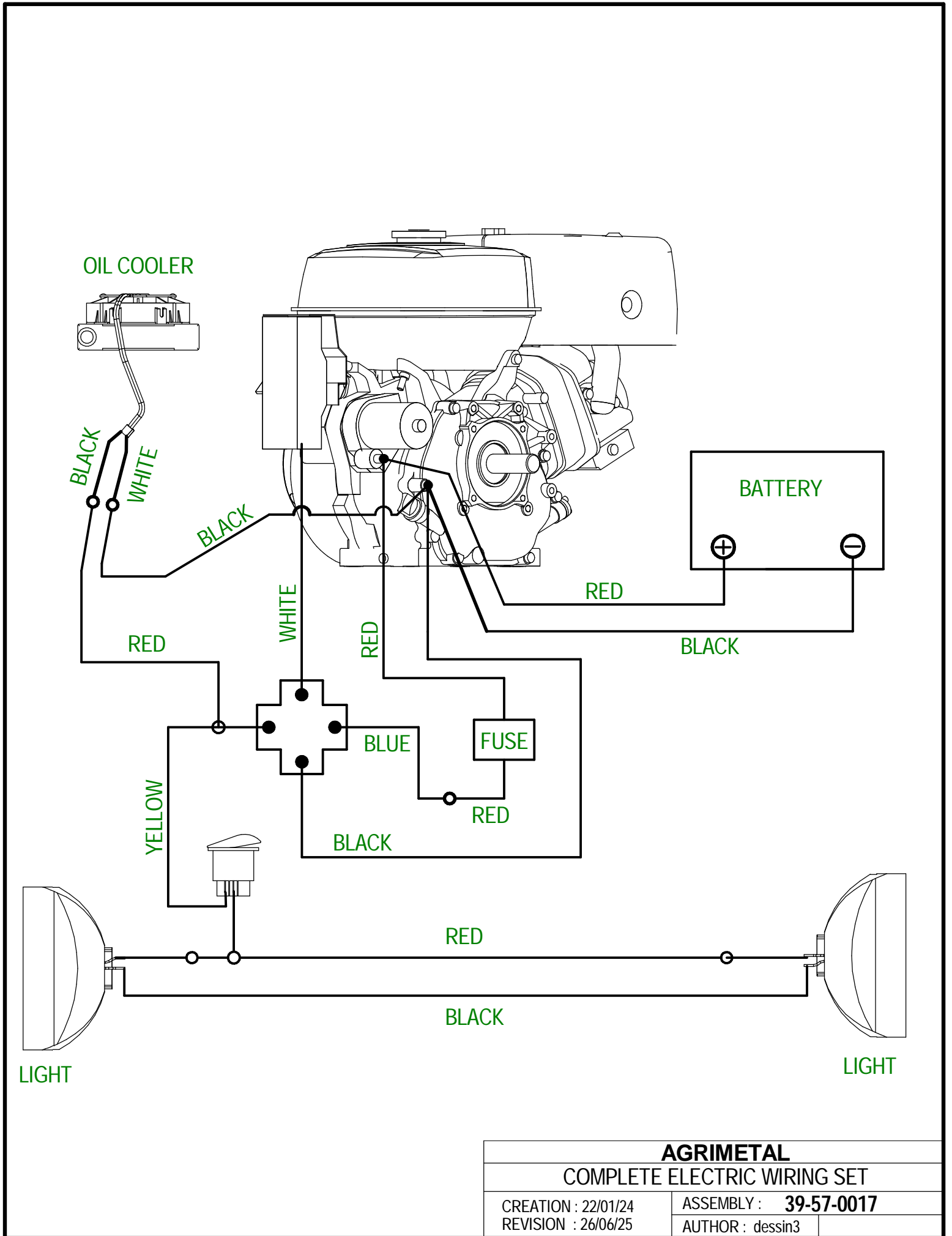
#	PART #	Qty	TITLE
1	39-57-0195	1	BATTERY STRAPE
2	39-01-3050	1	LIGHT SWITCH HOLDER
3	NC13-25-0368	1	LIGHT SWITCH
4	NC01-07-0027	2	CARR. BOLT 1/4-20 X 6" LG
5	NC01-96-0009	2	NYLON-INSERT LOCKNUT ZINC 1/4-20
6	39-57-0017	1	COMPLETE ELECTRIC WIRE SET
7	39-55-0105	1	NEGATIVE BATTERY CABLE
8	39-55-0100	1	POSITIVE BATTERY CABLE
9	NC13-25-0019	1	NYLON CABLE TIE
10	NC13-80-0268	1	BLACK PROTECTOR FOR BATTERY POST
11	NC13-80-0267	1	RED PROTECTOR FOR BATTERY POST
12	39-55-0121	2	LED LIGHT
13	39-21-0065	1	RIGHT LIGHT HOLDER
14	NC01-25-0068	1	HEX. BOLT GR5 NC ZINC 5/16-18 X 3"
15	NC02-25-0009	3	FLAT WASHER 14 GA X 13/16"OD X 25/64" ID
16	NC02-32-0011	1	LOCK WASHER ZINC 5/16"
17	NC02-07-0017	1	HEX. NUT 5/16-18
18	33-01-4000	1	HOUR METER HOLDER
19	NC13-37-0669	1	HOUR METER
20	NC13-12-0001	1	12 VOLTS BATTERY
21	33-42-0130	1	BLACK ADHESIVE-BACK STRIP
22	NC13-25-0228	5	VINYL UNION TERMINAL 16-14
23	NC13-25-0406	1	12V 40A 5 PINS RELAY
24	39-55-0430	1	RELAY PLUG
25	39-42-0200	5	WIRE SHRINK TUBING



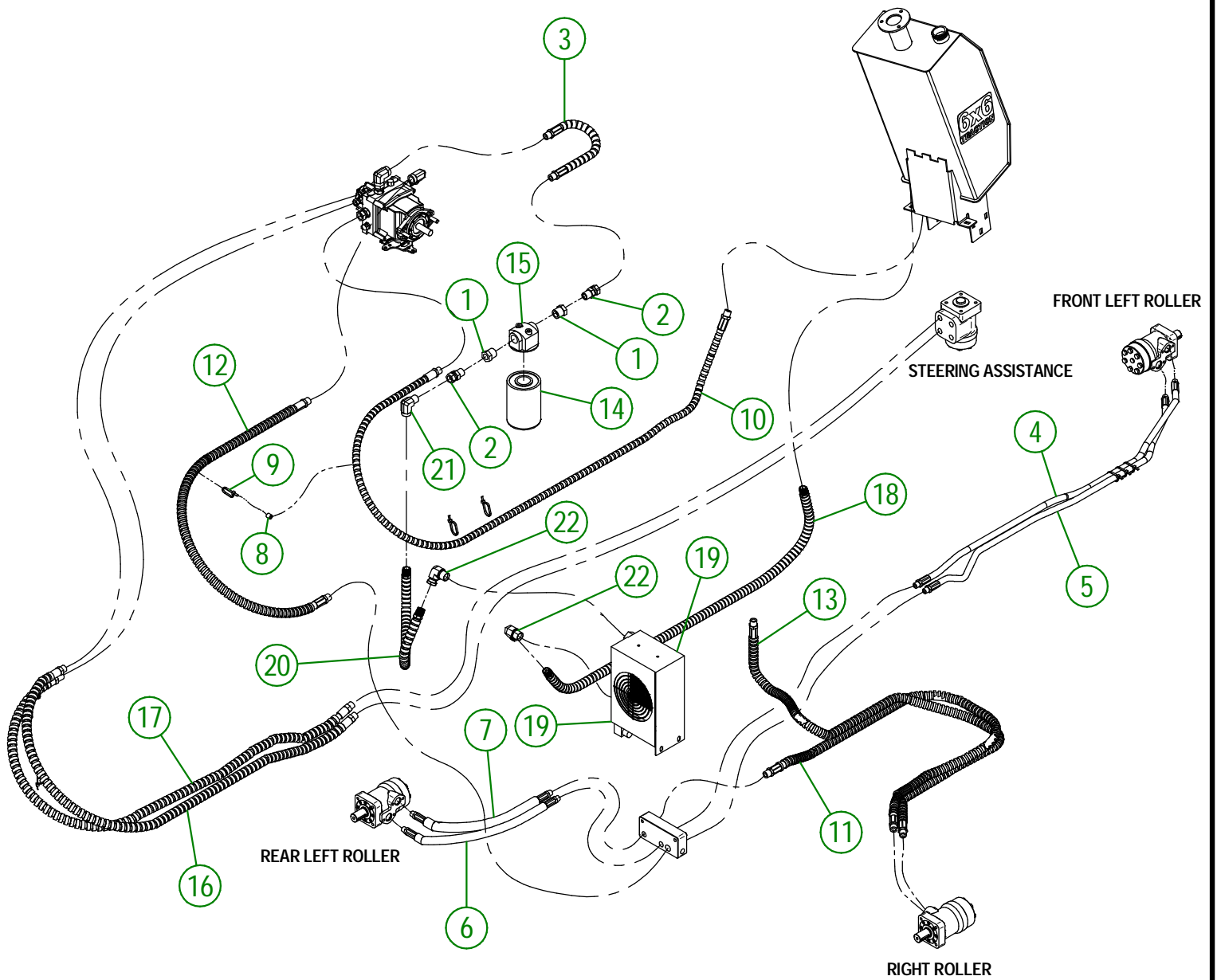
AGRIMETAL
ELECTRICAL SYSTEM

CREATION : 19/01/24
REVISION : 03/09/25

ASSEMBLY : **39-57-0122**
AUTHOR : D. Bevins



AGRIMETAL		
COMPLETE ELECTRIC WIRING SET		
CREATION : 22/01/24	ASSEMBLY :	39-57-0017
REVISION : 26/06/25	AUTHOR :	dessin3



USE THESE PIECES ONLY IF YOUR SERIAL NUMBER IS AFFECTED:

#47710 AND ABOVE

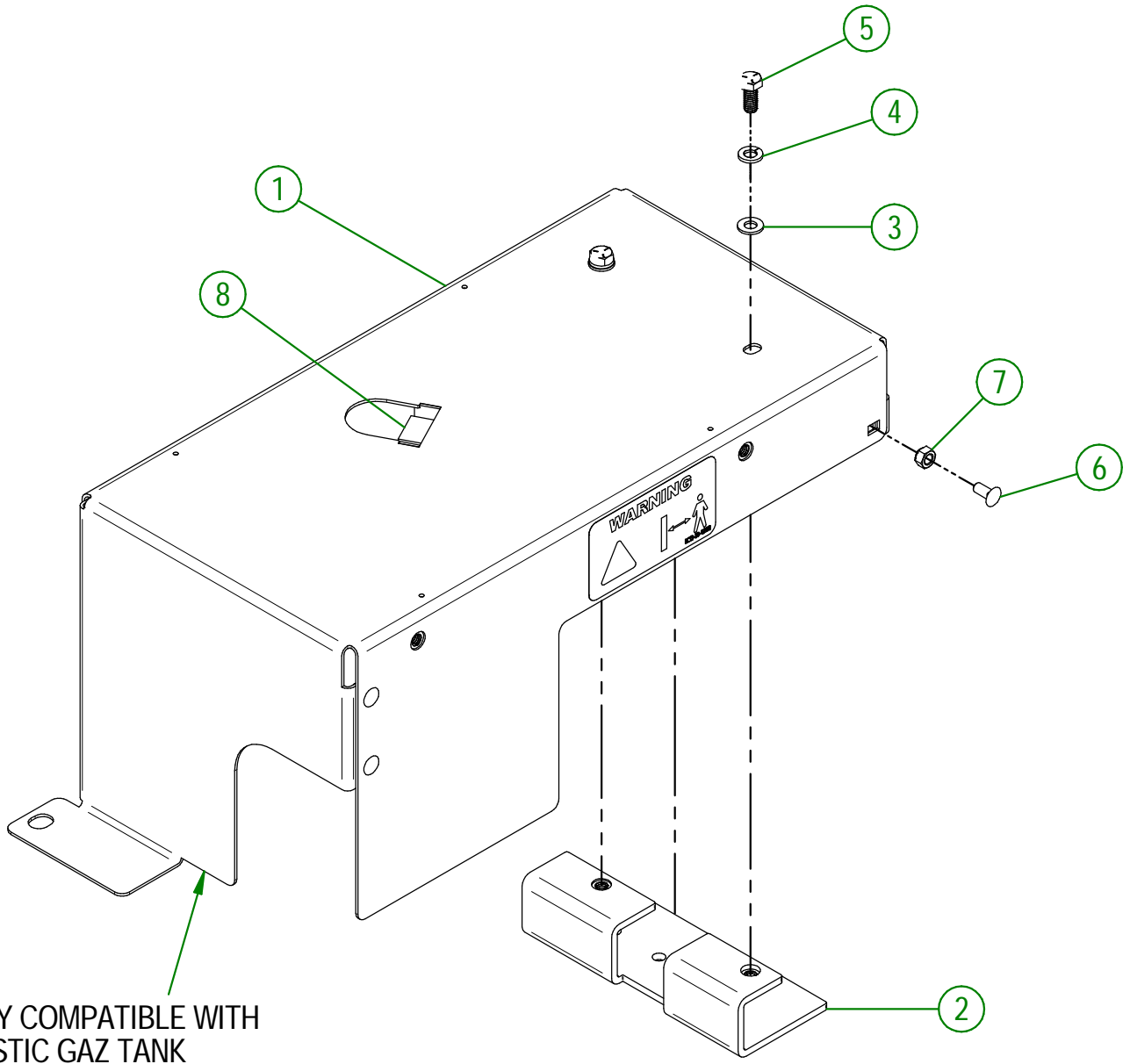
AGRIMETAL	
HYDRAULIC SYSTEM	
CREATION : 01/10/25	ASSEMBLY : 39-57-0207
REVISION : 01/10/25	AUTHOR : D. Bevins

39-57-0207

#	PART #	QTY	TITLE
1	NC13-45-0032	2	STRAIGHT HOSE FITTING 1/2 FEM. NPT X 3/4 MALE NPT
2	NC13-45-0091	2	STRAIGHT HOSE FITTING 1/2 MALE NPTF X 1/2 FEM. SWIVEL
3	NC17-02-0313	1	HYDRAULIC HOSE 19"
4	NC17-02-0312	1	HYDRAULIC HOSE 48 1/2"
5	NC17-02-0312	1	HYDRAULIC HOSE 48 1/2"
6	NC17-02-0437	1	HYDRAULIC HOSE 18"
7	NC17-02-0437	1	HYDRAULIC HOSE 18"
8	NC13-40-0025	1	BLACK GASOLINE HOSE
9	NC13-25-0019	9	NYLON CABLE TIE
10	39-55-0365	1	HYDRAULIC HOSE 75"
11	NC17-02-0315	1	HYDRAULIC HOSE 60"
12	NC17-02-0314	1	HYDRAULIC HOSE 44"
13	NC17-02-0316	1	HYDRAULIC HOSE 66"
14	NC13-45-0048	1	OIL FILTER
15	NC13-45-0049	1	HEAD FILTER
16	NC17-02-0434	1	HYD. HOSE 3/8 X 74"OAL 3/8 NPT MALE RIG. X 3/8 NPT MALE RIG
17	NC17-02-0434	1	HYD. HOSE 3/8 X 74"OAL 3/8 NPT MALE RIG.X 3/8 NPT MALE RIG
18	39-55-0375	1	HYDRAULIC HOSE 46"
19	39-55-0176	1	OIL COOLER AH0608T
20	39-55-0380	1	HYDRAULIC HOSE 14"
21	NC13-45-0025	1	ELBOW 90° 1/2 FEMALE NPT X 1/2 MALE NPT
22	NC13-45-0402	2	90° ELBOW 3/4 NPT MALE X 1/2 NPT SWIVEL FEMALE

39-57-5016

#	PART #	Qty	TITLE
1	39-57-5011	1	HYDROLISTATIC PUMP GUARD
2	39-50-5005	1	HYDROSTATIC PUMP GUARD SUPPORT
3	NC02-22-0008	2	WASHER ZINC 5/16"
4	NC02-32-0011	2	LOCK WASHER ZINC 5/16"
5	NC01-25-0058	2	HEX BOLT GR5 ZINC PLATED 5/16-18 X 3/4"
6	NC01-04-0001	5	CARR. BOLT GR2 ZINC 1/4-20 X 1/2"
7	NC01-96-0009	5	NYLON-INSERT LOCKNUT ZINC 1/4-20
8	39-42-0130	1	RUBBER FOAM SEAL TAPE BLACK 3/8" X 3/4" X 1" LG



ONLY COMPATIBLE WITH
PLASTIC GAZ TANK

USE THESE PIECES ONLY IF YOUR SERIAL
NUMBER IS AFFECTED:

#46009 AND MORE

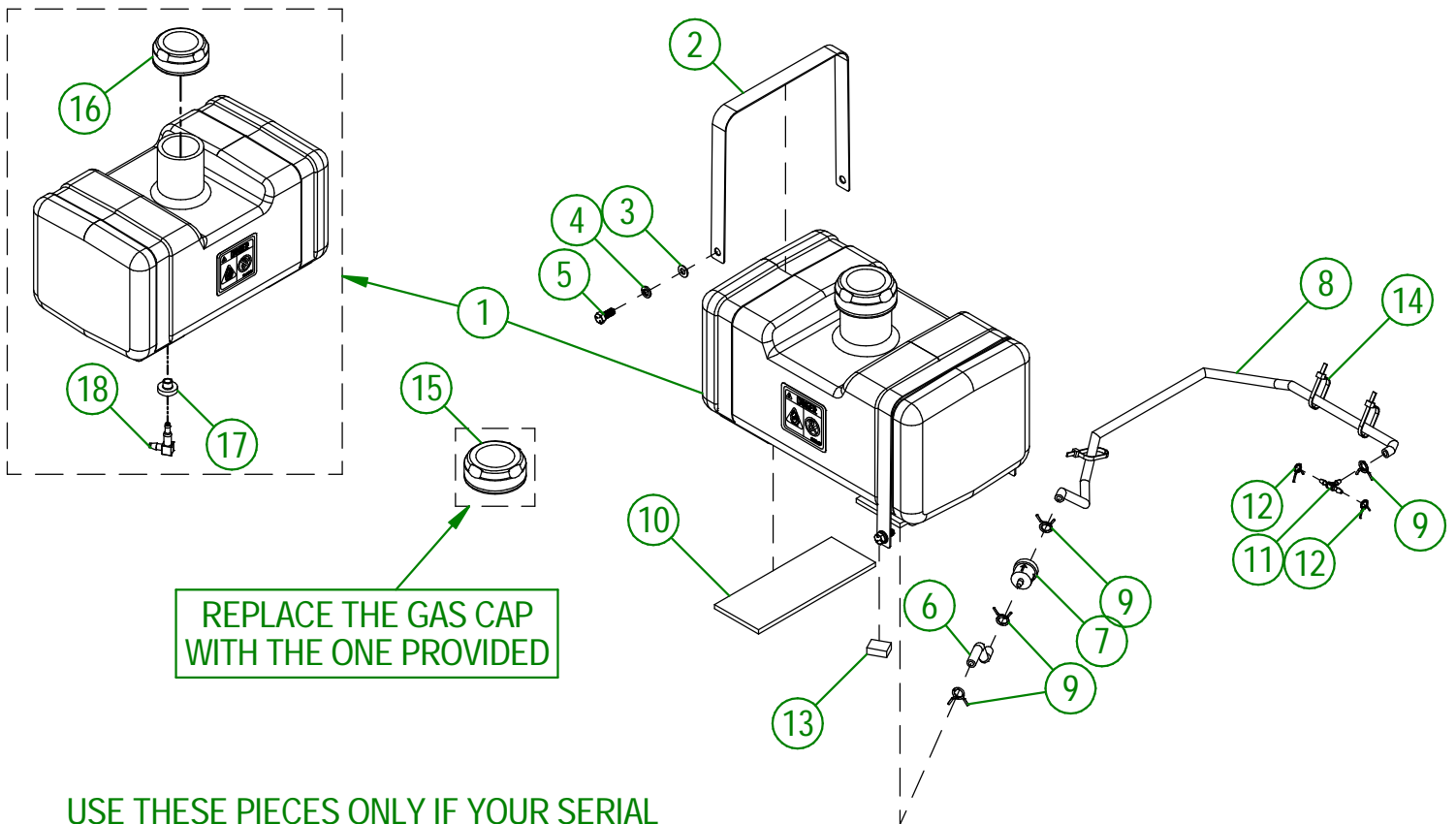
AGRIMETAL	
HYDROLISTATIC PUMP GUARD	
CREATION : 28/05/24	ASSEMBLY : 39-57-5016
REVISION : 10/07/24	AUTHOR : M. HOULE

39-57-5022

#	PART #	QT	TITLE
1	39-57-5008	1	GAZ TANK
2	39-01-6605	2	GAS TANK STRIP SUPPORT
3	NC02-22-0008	4	WASHER ZINC 5/16"
4	NC02-32-0011	4	LOCK WASHER ZINC 5/16"
5	NC01-25-0058	4	HEX BOLT GR5 ZINC PLATED 5/16-18 X 3/4"
6	39-46-0170	1	GAZ LINE
7	NC13-37-0688	1	3/16 GAS FILTER
8	39-46-0175	1	GAZ LINE
9	NC01-65-0305	4	CONSTANT-TENSION SPRING CLAMPS 7/16"
10	39-42-0205	2	RUBBER FAOM SEAL TAPE BLACK 1/4" X 3" X 8"
11	NC13-68-0032	1	PLASTIC BARBED TEE FITTING TEE CONNECTOR 3/16" (GASOLINE)
12	NC01-65-0304	2	CONSTANT-TENSION SPRING CLAMPS 5/16"
13	39-42-0130	1	RUBBER FOAM SEAL TAPE BLACK 3/8" X 3/4" X 1" LG
14	NC13-25-0019	3	NYLON CABLE TIE
15	NC13-80-0317	1	GAZ CAP

39-57-5008

#	PART #	QT	TITLE
16	NC13-80-0317	1	GAZ CAP
17	NC13-80-0319	1	GROMMET VITRON #468661
18	NC13-80-0318	1	90° ELBOW X 1/4" GAS LINE

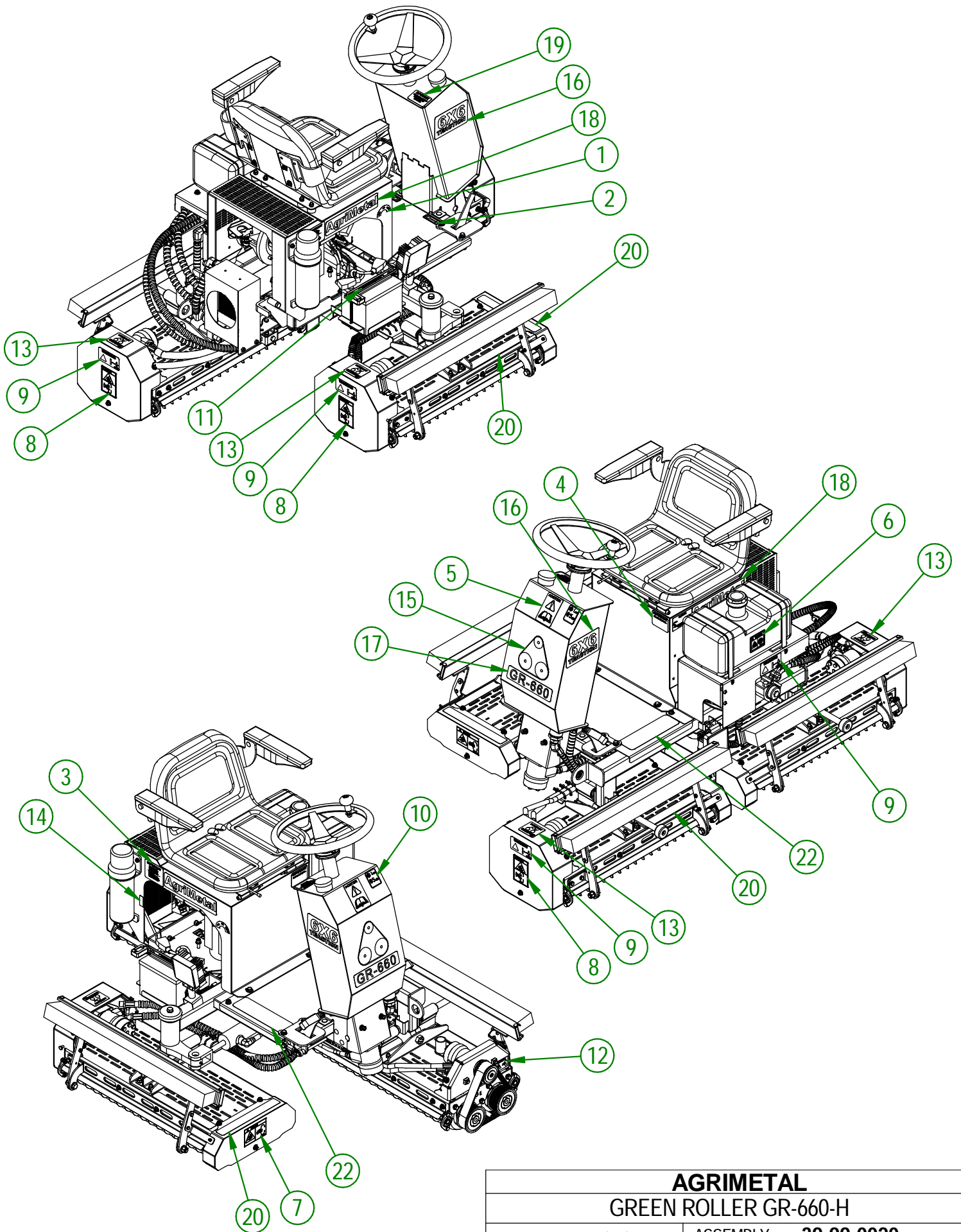


REPLACE THE GAS CAP WITH THE ONE PROVIDED

USE THESE PIECES ONLY IF YOUR SERIAL NUMBER IS AFFECTED:
OR IF YOU HAVE INSTALLED THE KIT 39-57-5025

#46009 ET PLUS

AGRIMETAL	
3 GALLON GAZ TANK OPTION	
CREATION : 29/05/24	ASSEMBLY : 39-57-5022
REVISION : 16/05/25	AUTHOR : M. HOULE



AGRIMETAL

GREEN ROLLER GR-660-H

CREATION : 15/01/26
 REVISION : 16/03/26

ASSEMBLY : **39-99-0020**
 AUTHOR : N. GOULET

#	PART #	Qty	TITLE
1	NCI3-33-0095	1	STICKER OFF ON START
2	NCI3-33-0124	2	STICKER STEERING ARROW
3	NCI3-33-0151	1	STICKER (IMPORTANT TO PREVENT ENGINE FAILURE...)
4	NCI3-33-0178	1	STICKER IMPORTANT PLEASE CHECK OIL LEVEL...
5	NCI3-33-0183	1	STICKER CAUTION OPERATION MANUAL
6	NCI3-33-0185	2	STICKER PICTOGRAM (FIRE + CIGARETTE)
7	NCI3-33-0247	3	STICKER DANGER
8	NCI3-33-0282	3	STICKER DANGER
9	NCI3-33-0288	4	STICKER WARNING HIGH-PRESSURE LIQUID
10	NCI3-33-0340	1	STICKER 85 DB
11	NCI3-33-0350	1	STICKER LIGHT SWITCH
12	NCI3-33-0351	3	STICKER DANGER
13	NCI3-33-0355	3	TENSION BELT STICKER
14	NCI3-33-2662	1	ON OFF CHOKE/GAZ STICKER
15	NCI3-33-2678	1	STICKER SYNCHRO BELT DRIVE
16	NCI3-33-2683	2	STICKER 6 X 6
17	NCI3-33-2685	1	STICKER GR 660
18	NCI3-33-2687	2	STICKER AGRIMETAL
19	NCI3-33-2696	1	CHANGE OIL ANNUALLY STICKER
20	NCI3-80-0081	3	STICKER ANTI-SLIP ROUND CORNER BLACK 1 1/2" X 12"
21	NCI3-80-0083	6	STICKER ANTI-SCRATCH 3" X 12"
22	NCI3-80-0314	2	STICKER ANTI-SCRATCH 3" X 10"

