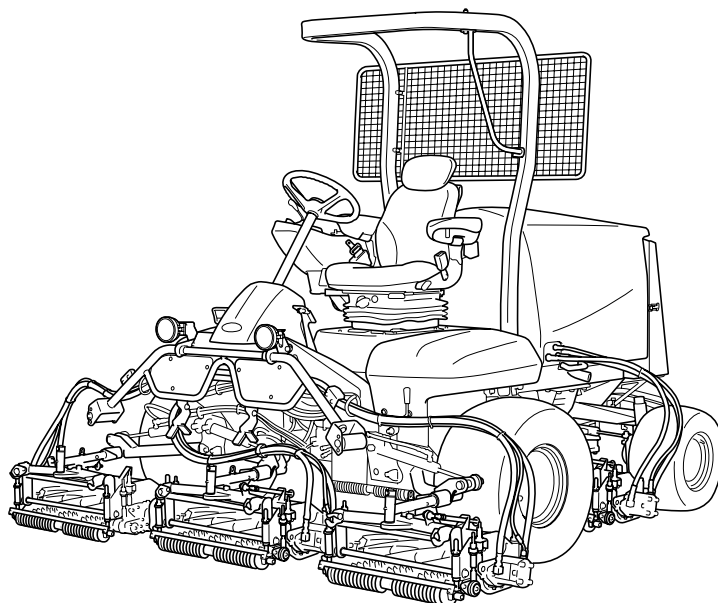


LM551B

5-Unit Reel Mower

Parts catalog



BARONESS
Quality on Demand

Serial No. LM551B : 30394-

Ver.2.5

Greetings

Thank you for purchasing Baroness product.

This brochure contains the information needed for ordering BARONESS parts.

Search the number indicating the figure of your desired part in the illustration area, and find the same number from among the latter parts of the hyphenated Cat Nos. in the listing area to obtain the individual Code No.

Notes

1) For inquiries of parts

Inform us of the model and the serial number of your machine or attachment.

The model and the serial number are indicated on the serial number plate of your machine or attachment.

* Consult the Owner's Operating Manual for the position where the serial number plate is affixed.

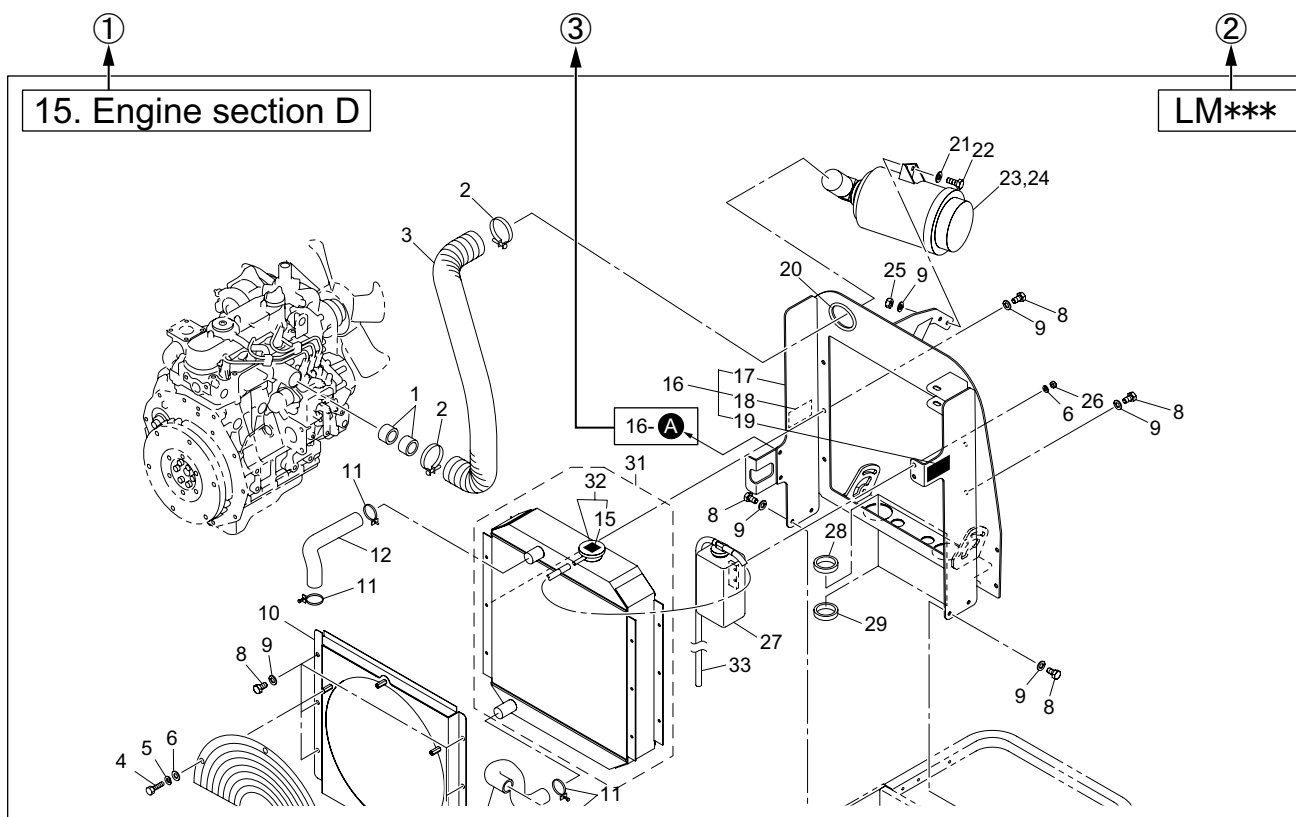
2) For ordering parts

- Inform us of the Code No., Part name and order quantity.
- We do not accept returns unless our company is responsible for the issue.
- Use genuine Baroness parts and accessories. The Baroness product warranty may not apply if parts or accessories from other companies are used.

3) The information described in this brochure is subject to change without prior notice.

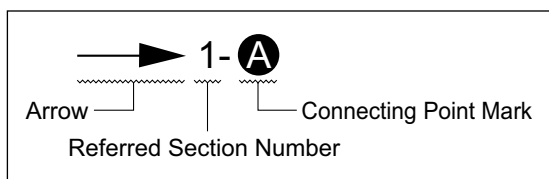
Description of the content of Parts catalog

1) Illustration area



- ① Section No. /Section name
- ② Model
- ③ Indication of the connecting point

The following indication shows the connecting point of the part shown on the other page.



Refer to the point **A** in the illustration of the section No.1

→ 2- **B** :

Refer to the point **B** in the illustration of the section No.2

Note :

The figures of assembled components or isolated parts do not always show their accurate shapes. The figures are supposed to be used for obtaining the correct code numbers.

2) Listing area

① Cat No.	② Code No.	③ Part name	④ ⑤ Qty			⑥ Remark	⑦ SN of application
1 - 1	K0000080152	BOLT, M8-15	2	2	2		
1 - 2	K0185160002	NUT, LEFT-HANDED P1.5 M16-3	2	2	2		
1 - 3	K3650000100	HOUR METER, HH2AS	1	1	1		10001-10023
1a- 3	K3650000130	HOUR METER, 636DC	1	1	1		10024-
1 - 4	K0100060002	NUT, M6	2	2	2		
1 - 5	K0003080702	BOLT, M8-70	1	1	1		
1 - 7	K0830000020	OIL SEAL, 254210	2	2	2		

① Cat No. or Catalog No.

Find the same number as the number indicating the figure of your desired part in the illustration area from among the latter parts of the hyphenated Cat Nos. to obtain the individual Code No.

② Code No.

Identification code of an individual part

③ Part name

④ Qty

Quantity needed per Cat No.

⑤ Model

When the quantity differs by models, the models are indicated.

⑥ Remark

Specification or description, etc. of the part may be indicated.

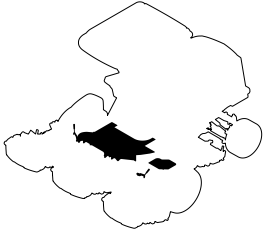
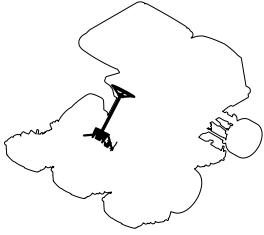
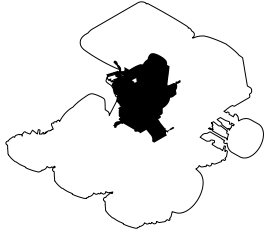
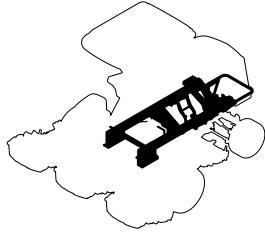
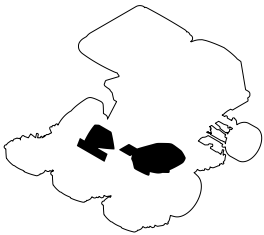
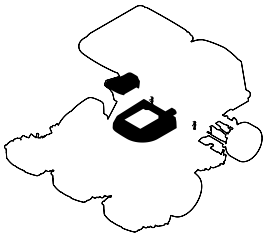

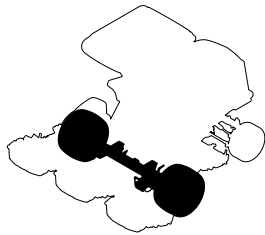
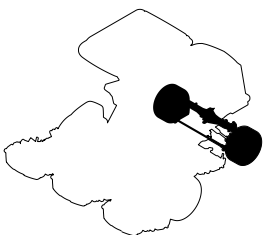
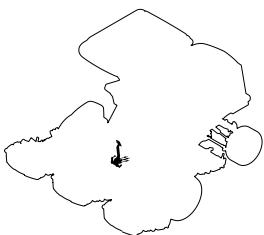

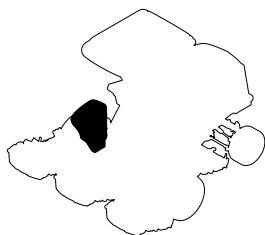




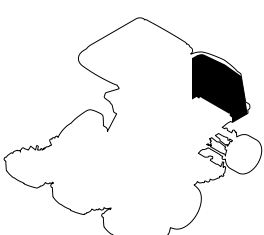
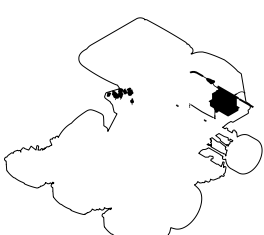


⑦ SN of application


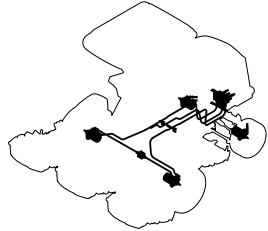

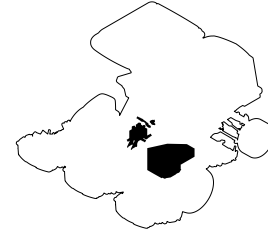
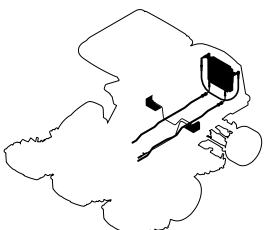
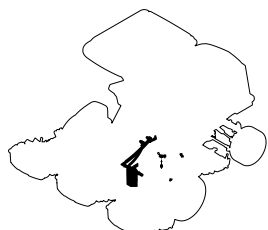
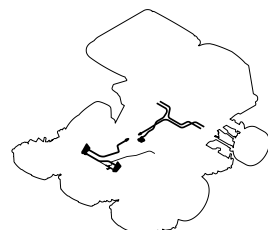




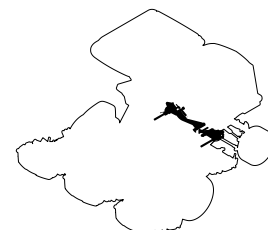



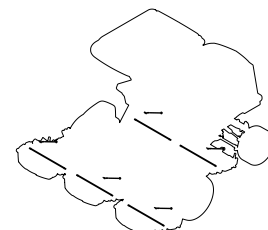

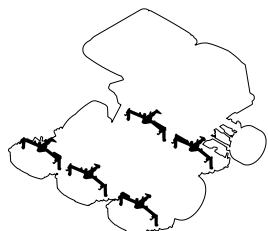
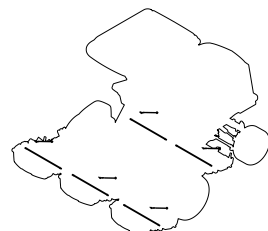

In case of part alteration, the serial number ranges of machines to which the alteration is applied will be indicated.

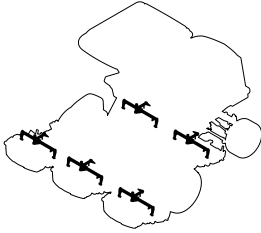
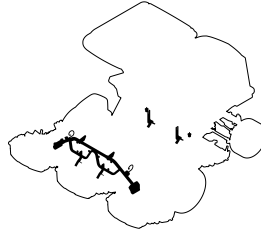
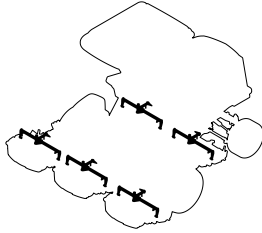

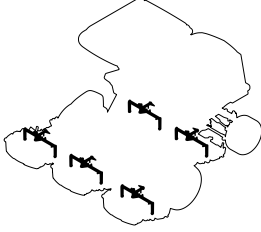
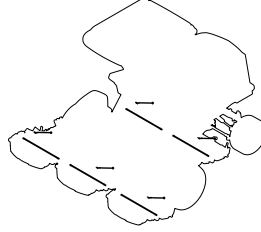
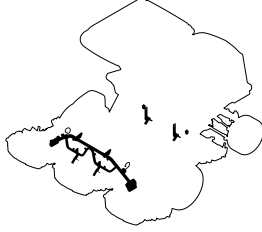
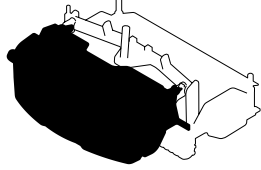
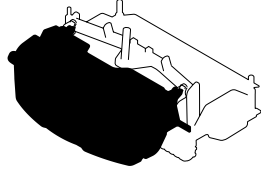
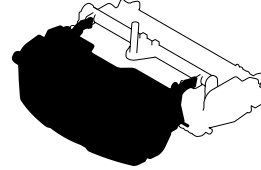
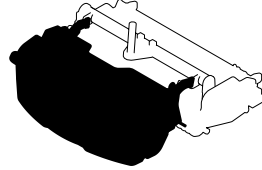
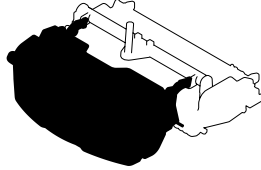
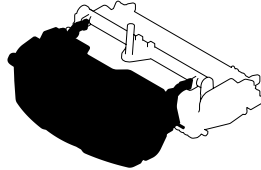
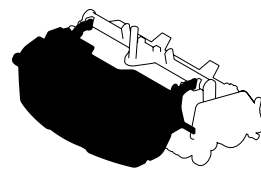
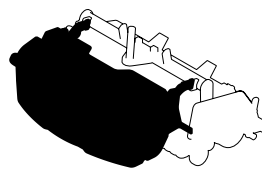
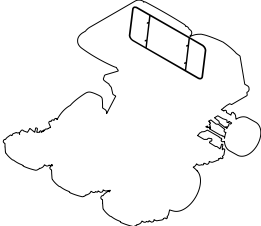
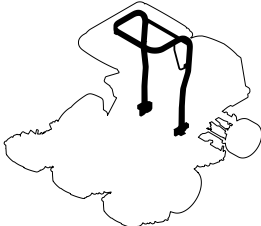
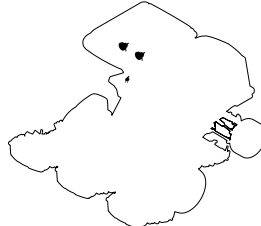

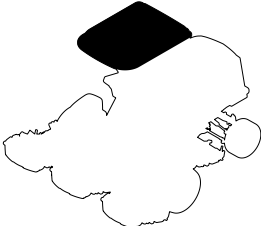
3) Indication in case of part alteration

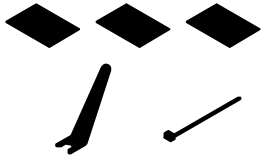
- When a new part and an old one are interchangeable with each other, indication of the old part code No. is discontinued and the new part code No. is solely indicated.
- When a new part and an old one are not interchangeable, the serial number ranges of both machines where the new part is used and those where the old one is used are indicated in the SN of application column.
- When a part is newly added, the serial number range of machines where the part is used is indicated in the SN of application column.
- When a part was previously used but the part is not used in the machine any longer, the serial number range of machines where the part was used is indicated in the SN of application column.

Contents

1. Frame section A (Step)1 	2. Frame section B (Steering) ...3 	3. Frame section C (Seat)4 	4. Frame section D (Frame) ...6 
5. Cover section A.....7 	6. Cover section B9 	7. Cover section C10 	8. Front wheel section 11 
9. Rear wheel section13 	10. Pedal section A.....15 	11. Pedal section B.....17 	12. Fuel tank section A19 
13. Fuel tank section B21 	14. Engine section A.....22 	15. Engine section B.....25 	16. Engine section C27 
17. Engine section D30 	18. Engine section E.....32 	19. Engine section F.....35 	20. Hydraulic section A36 

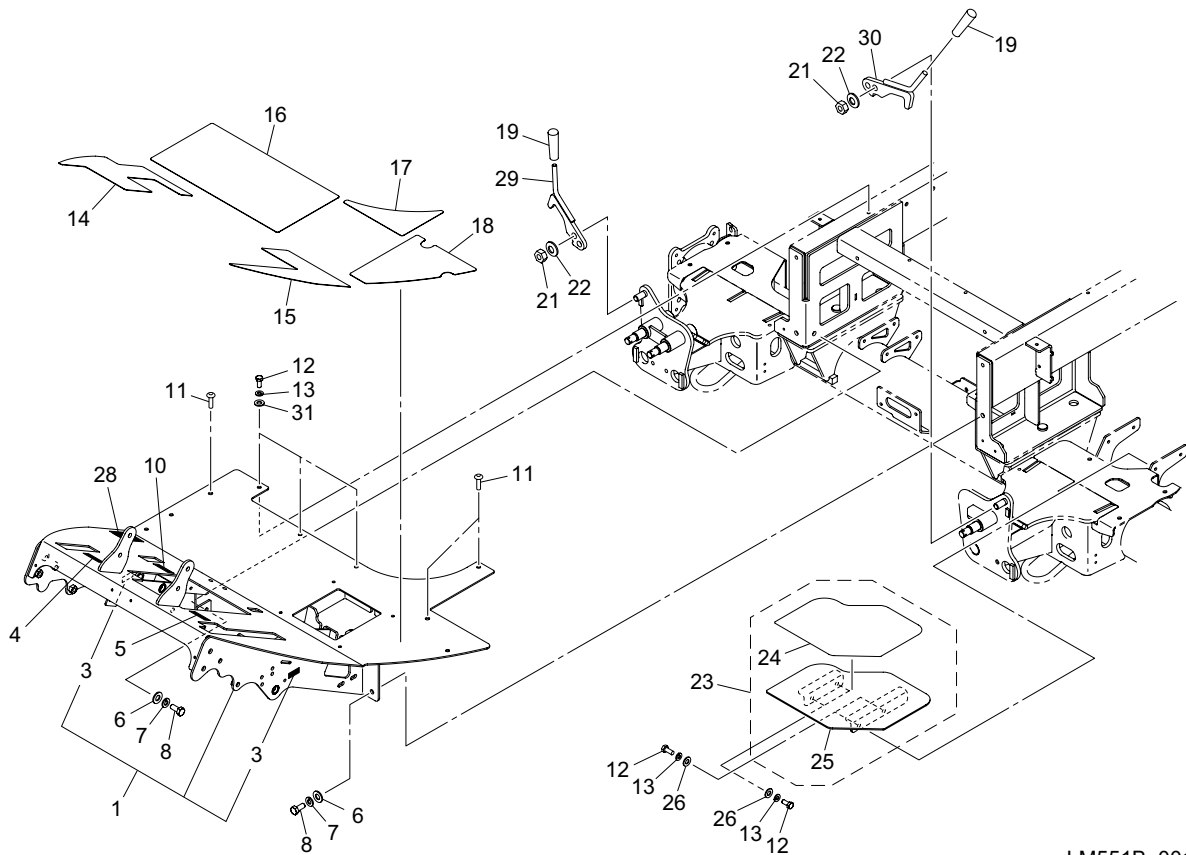
<p>21. Hydraulic section B38</p> 	<p>22. Hydraulic section C40</p> 	<p>23. Hydraulic section D42</p> 	<p>24. Hydraulic section E44</p> 
<p>25. Hydraulic section F45</p> 	<p>26. Hydraulic section G47</p> 	<p>27. Hydraulic section H49</p> 	<p>28. Hydraulic section I50</p> 
<p>29. Hydraulic section J (LH6 & LS6)52</p> 	<p>30. Hydraulic section K (LH5)54</p> 	<p>31. Lift arm section A (22inch)55</p> 	<p>32. Lift arm section B (22inch)57</p> 
<p>33. Lift arm section A (26inch)59</p> 	<p>34. Lift arm section B (26inch)61</p> 	<p>35. Mower arm section A (LH62)63</p> 	<p>36. Mower arm section B (LH62)64</p> 
<p>37. Mower arm section C (LH62)65</p> 	<p>A35. Mower arm section A (LH66)66</p> 	<p>A36. Mower arm section B (LH66)67</p> 	<p>A37. Mower arm section C (LH66)68</p> 

<p>38. Mower arm section A (LS62).....70</p> 	<p>39. Mower arm section B (LS62).....71</p> 	<p>40. Mower arm section A (LS66).....72</p> 	<p>41. Mower arm section B (LS66).....73</p> 
<p>42. Mower arm section A (LH52).....75</p> 	<p>43. Mower arm section B (LH52).....76</p> 	<p>44. Mower arm section C (LH52).....77</p> 	<p>45. Grass catcher section A #3 & 4 (LH62 & LH66).....78</p> 
<p>46. Grass catcher section B #1 & 2 & 5 (LH62 & LH66)....79</p> 	<p>47. Grass catcher section A #3 & 4 for LS62 SN10001-19999 & LS66 SN10001-19999.....80</p> 	<p>A47. Grass catcher section A #3 & 4 for LS62 SN20001- & LS66 SN20001-.....82</p> 	<p>48. Grass catcher section B #1 & 2 & 5 for LS62 SN10001-19999 & LS66 SN10001-19999.....84</p> 
<p>A48. Grass catcher section B #1 & 2 & 5 for LS62 SN20001- & LS66 SN20001-.....86</p> 	<p>49. Grass catcher section A #3 & 4 (LH52)88</p> 	<p>50. Grass catcher section B #1 & 2 & 5 (LH52).....89</p> 	<p>51. Ball proof net section90</p> 
<p>52. ROPS section.....91</p> 	<p>53. Light section SN30001-3055192</p> 	<p>A53. Light section SN30552-93</p> 	<p>54. Roof section.....94</p> 



1. Frame section A (Step)

LM551B

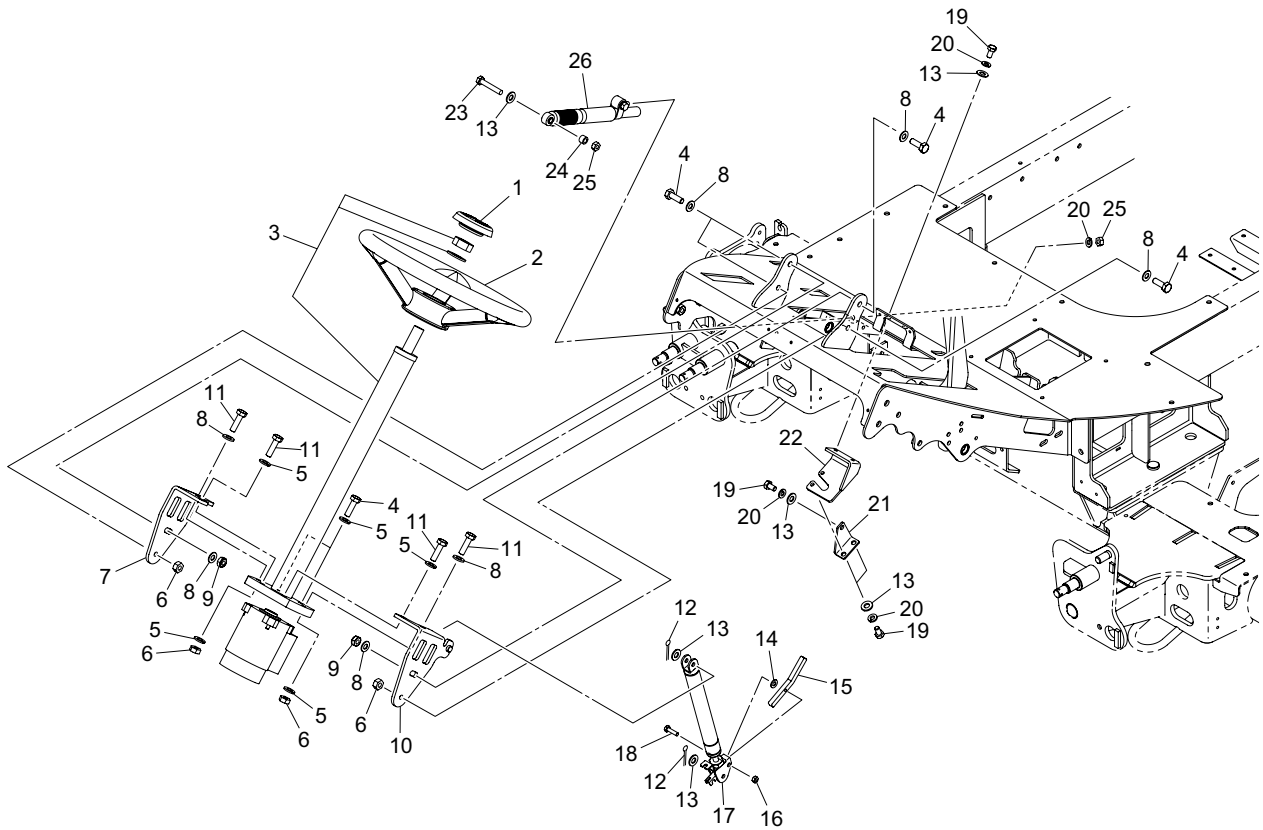


LM551B_001_z00

Cat No.	Code No.	Part name	Qty	Remark	SN of application
1-1	LM551--0612A0	STEP COMP	1		30038-30092
1a-1	LM551--0612B0	STEP COMP	1		30093-
1-2					
1-3	K4205001900	DECAL, CAUTION MOWER LOCK	2		
1-4	K4203001430	DECAL, FORWARD	1		
1-5	K4203001450	DECAL, BRAKE	1		
1-6	K5000100002	WASHER, M10	6		
1-7	K0200100002	WASHER, SPRING M10	6		
1-8	K0000100252	BOLT, M10-25	6		
1-9					
1-10	K4203001440	DECAL, BACKWARD	1		
1-11	K0062080122	BOLT, BUTTON HEAD W/HEX HOLE M8-12	3		
1-12	K0000080202	BOLT, M8-20	7		
1-13	K0200080002	WASHER, SPRING M8	7		
1-14	LM551--0627Z0	SHEET, NONSKID FOR STEP F	1		
1-15	LM551--0626Z0	SHEET, NONSKID FOR STEP E	1		
1-16	K4400000150	SHEET, NONSKID STEP 200410	1		
1-17	LM551--0615Z0	SHEET, NONSKID FOR STEP A	1		
1-18	LM551--0631Z0	SHEET, NONSKID FOR STEP B	1		
1-19	K1300000110	GRIP, PLASTIC YELLOW 9-22	2		
1-20					
1-21	K0145140002	NUT, W/F-RING M14 P1.5	2		
1-22	K0210140002	SPRING, CONICAL DISC L M14	2		
1-23	LM551--0608Z0	STEP COMP, GETTING ON & OFF	1		
1-24	LM551--0609Z0	SHEET, GETTING ON & OFF STEP	1		
1-25	LM551--0610ZD	STEP, GETTING ON & OFF	1		
1-26	K5000080002	WASHER, M8	4		
1-27					
1-28	K4203001740	DECAL, SHIFTING DRIVING MODE	1		
1-29	LM551--0675ZD	LEVER, LOCKING MOWER #4	1		

2. Frame section B (Steering)

LM551B

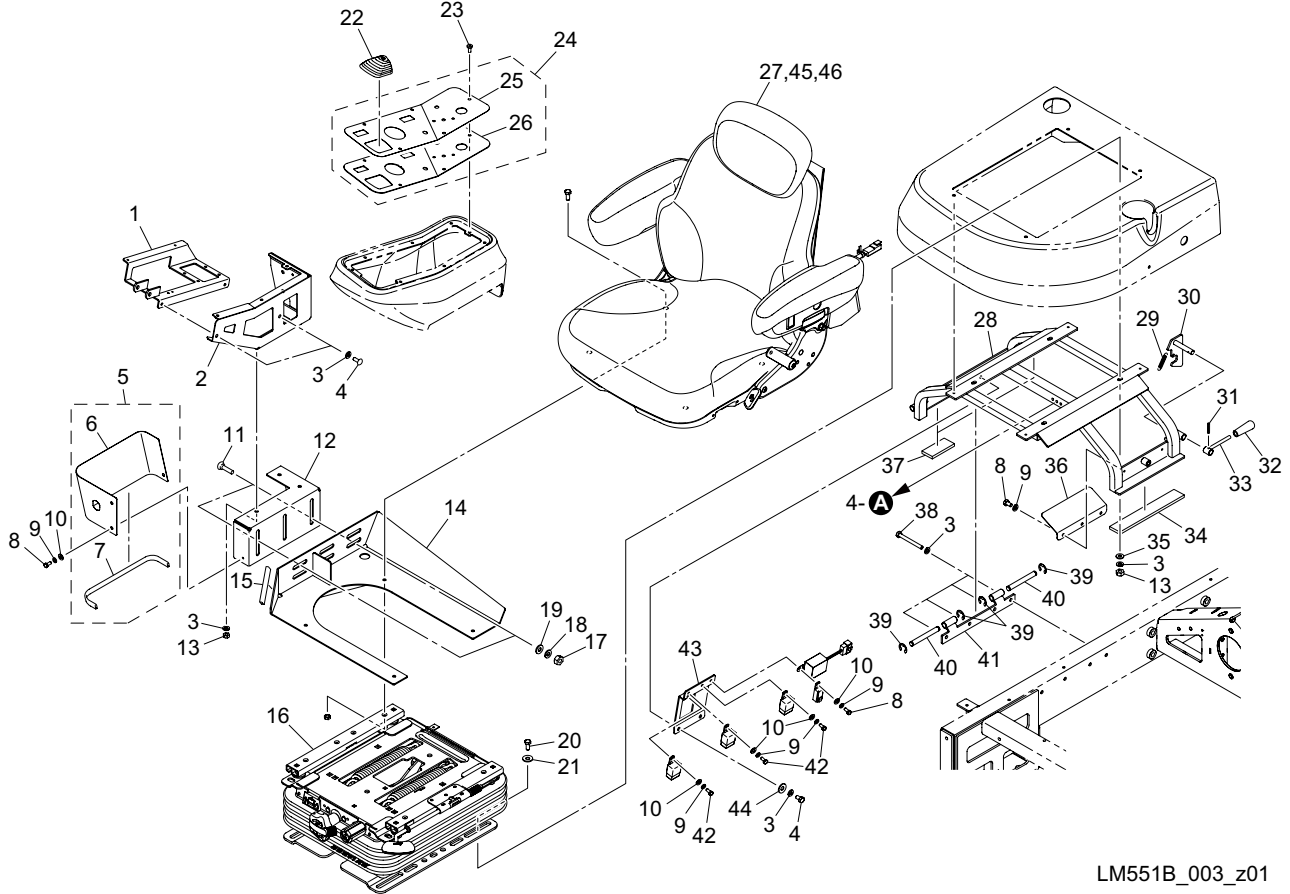


LM551B_002_z00

Cat No.	Code No.	Part name	Qty	Remark	SN of application
2-1	K1310000130	CAP, RUBBER	1		
2-2	K1710000100	STEERING, V027220-0101A	1		30001-32017
2a-2	K1710000080	STEERING, V027220-0101	1		32018-
2-3	K1730000080	SHAFT, COLUMN 540	1		
2-4	K0000100302	BOLT, M10-30	6		
2-5	K0200100002	WASHER, SPRING M10	6		
2-6	K0100100002	NUT, M10	4		
2-7	LM551--0618ZD	STAY, COLUMN (RH)	1		
2-8	K5000100002	WASHER, M10	8		
2-9	K0144100002	NUT, W/F-RING M10	2		
2-10	LM551--0619ZD	STAY, COLUMN (LH)	1		
2-11	K0000100352	BOLT, M10-35	4		
2-12	K0300020202	PIN, COTTER M2-20	2		
2-13	K5000080002	WASHER, M8	8		
2-14	K5012306162	WASHER, SPCC 2.3-6-16	1		
2-15	LM551--0624Z2	LEVER, TILT	1		
2-16	K0144050002	NUT, W/F-RING M5	1		
2-17	K3381000040	GAS-SPRING, FLF90-25	1		
2-18	K0000050252	BOLT, M5-25	1		
2-19	K0000080152	BOLT, M8-15	5		
2-20	K0200080002	WASHER, SPRING M8	6		
2-21	LM551--0621ZD	STOPPER, CABLE	1		
2-22	LM551--0623ZD	BRACKET, PP WIRE (FRONT)	1		
2-23	K0000080452	BOLT, M8-45	1		
2-24	K6212000982	COLLAR, STKM M8.5-14-9.5	1		
2-25	K0100080002	NUT, M8	2		
2-26	K3380000010	DAMPER, FOR LEVER	1		

3. Frame section C (Seat)

LM551B

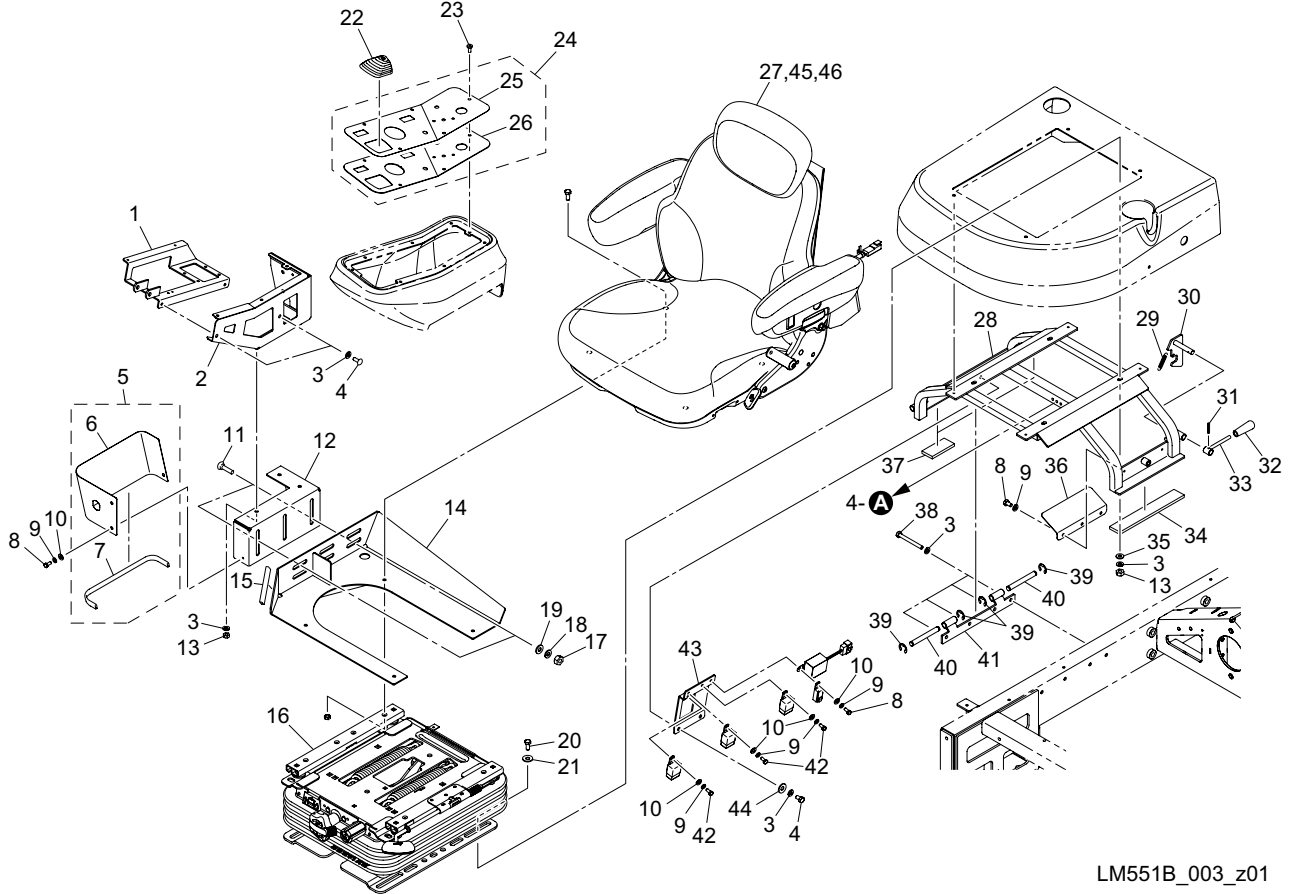


LM551B_003_z01

Cat No.	Code No.	Part name	Qty	Remark	SN of application
3-1	LM551--0641B2	BRACKET, VALVE	1		
3-2	LM551--0614ZD	METAL, CONTROL ARM	1		
3-3	K0200080002	WASHER, SPRING M8	15		
3-4	K0000080152	BOLT, M8-15	4		
3-5	LM551--4503Z0	COVER COMP, BRACKET W/ USB FIXING HOLE	1		30001-30249
3a-5	LM551--4506Z0	COVER COMP, BRACKET W/ USB FIXING HOLE	1		30250-
3-6	LM551--4501ZD	COVER, BRACKET W/ USB FIXING HOLE	1		30001-30249
3a-6	LM551--4507ZD	COVER, BRACKET W/ USB FIXING HOLE	1		30250-
3-7	K3197003900	TRIM, SEAL 75-16-390	1		
3-8	K0000060152	BOLT, M6-15	6		
3-9	K0200060002	WASHER, SPRING M6	9		
3-10	K5000060002	WASHER, M6	6		
3-11	K0025100302	BOLT,CARRIAGE M10-30	2		
3-12	LM551--0644ZD	BRACKET, CONTROL ARM	1		
3-13	K0100080002	NUT, M8	7		
3-14	LM551--0613ZD	FULCRUM, ARM	1		
3-15	K3197201000	TRIM, SEAL 100-32-100	1		
3-16	K1701000160	SUSPENSION, SGA18125	1		
3-17	K0100100002	NUT, M10	2		
3-18	K0200100002	WASHER, SPRING M10	2		
3-19	K5000100002	WASHER, M10	2		
3-20	K0000080252	BOLT, M8-25	4		
3-21	K5012308242	WASHER, SPCC 2.3-8-24	4		
3-22	LM551--0654Z0	BOOT, LEVER	1		
3-23	K0069000299	BOLT, FLAT HEAD W/HEX HOLE M6-16	5		
3-24	LM551B-0605Z0	MOUNT COMP, INSTRUMENT (E5)	1		30001-30317
3a-24	LM551B-0605A0	MOUNT COMP, INSTRUMENT (E5)	1		30318-30393
3b-24	LM551B-0606Z0	MOUNT COMP, INSTRUMENT (E5)	1		30394-
3-25	LM551B-0604Z0	DECAL, OPERATION (E5)	1		30001-30317
3a-25	LM551B-0604A0	DECAL, OPERATION (E5)	1		30318-30393

3. Frame section C (Seat)

LM551B

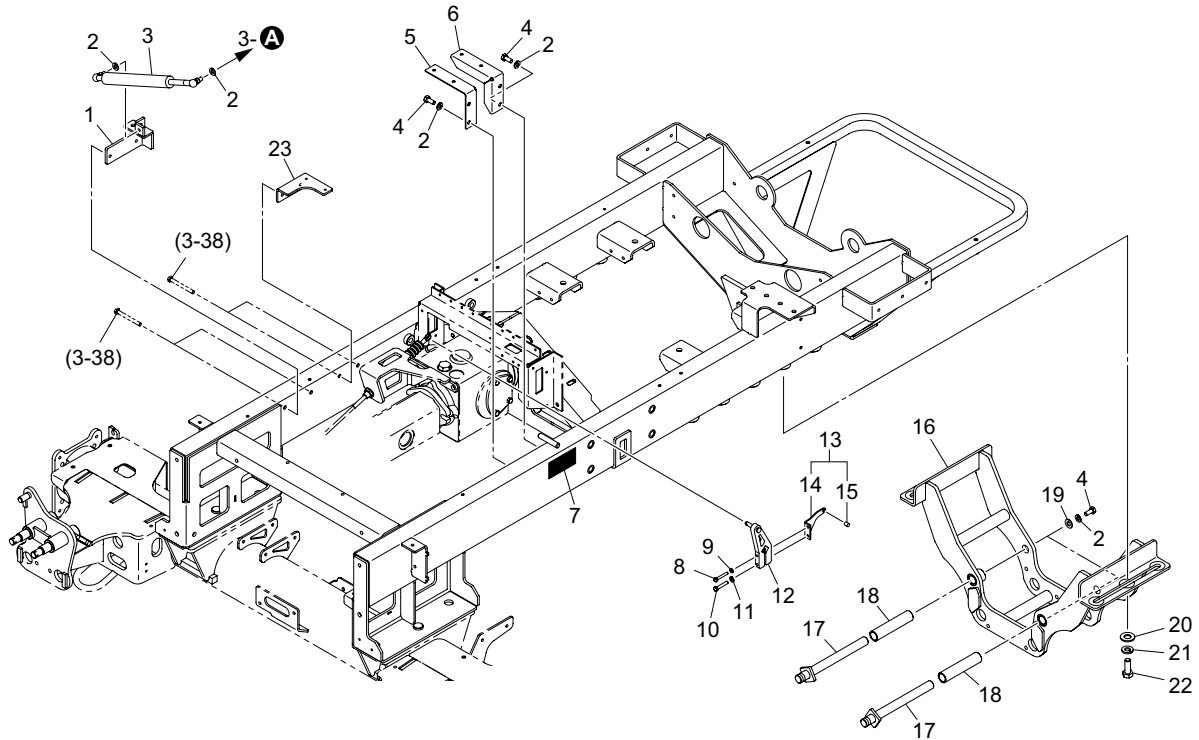


LM551B_003_z01

Cat No.	Code No.	Part name	Qty	Remark	SN of application
3b-25	LM551B-0608Z0	DECAL, OPERATION (E5)	1		30394-
3-26	LM551--0673ZD	PANEL, GAUGE (E4)	1		30001-30393
3a-26	LM551B-0607ZD	PLATE, MOUNTING INSTRUMENT (E5)	1		30394-
3-27	K1700000530	SEAT, SGA18124	1		
3-28	LM551--0611BD	MOUNT, SEAT	1		
3-29	K1030000098	SPRING, W/U HOOK M1.6-12-66.8	1		
3-30	LM551--0645Z2	BRACKET, SEAT LOCK	1		
3-31	K0320030161	PIN, SPRING M3-16	1		
3-32	K1300000180	GRIP, PLASTIC BLACK 7-23	1		
3-33	LM551--0646Z2	LEVER, RELEASE	1		
3-34	K4033000630	RUBBER, PLATE 6-20235	1		
3-35	K5000080002	WASHER, M8	4		
3-36	LM551--0650ZD	COVER, WATERPROOF	1		
3-37	K4033000420	RUBBER, PLATE 5-3045	2		
3-38	K0003080702	BOLT, M8-70	4		
3-39	K0400010002	RING, RETAINING E M10	4		
3-40	LM551--0635Z2	SHAFT, FALCRUM 12-101.5	2		
3-41	LM551--0633AD	FALCRUM	1		
3-42	K0000060102	BOLT, M6-10	3		
3-43	LM551--0655ZD	BRACKET, RELAY	1		
3-44	K5012308182	WASHER, SPCC 2.3-8-18	2		
3-45	K1700000450-2	HARNESS, SEAT S22808	1		
3-46	K1700000460-1	SWITCH, SEAT NO S17592	1		
3-47					

4. Frame section D (Frame)

LM551B

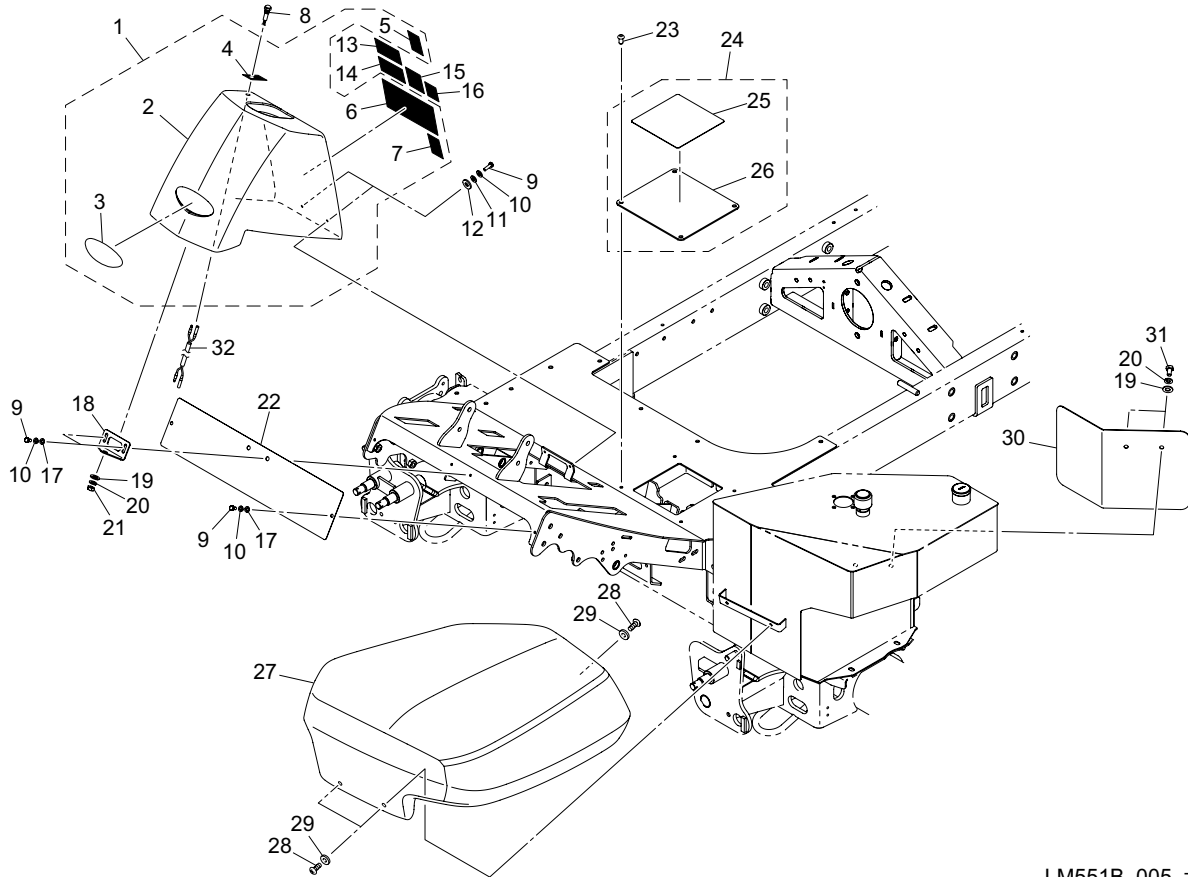


LM551B_004_z01

Cat No.	Code No.	Part name	Qty	Remark	SN of application
4-1	LM551--0642ZD	FALCRUM, GAS SPRING	1		
4-2	K0200080002	WASHER, SPRING M8	8		
4-3	K3381000010	GAS-SPRING, C25	1		
4-4	K0000080202	BOLT, M8-20	6		
4-5	LM551--0636ZD	STAY, RELAY BOX B	1		
4-6	LM551--0616ZD	STAY, RELAY BOX A	1		
4-7	K4205001580	DECAL, CAUTION TO GET CAUGHT	1		
4-8	K0000050502	BOLT, M5-50	1		
4-9	K0200050002	WASHER, SPRING M5	1		
4-10	K0000060502	BOLT, M6-50	1		
4-11	K0200060002	WASHER, SPRING M6	1		
4-12	LM551--0617ZD	LEVER, TRANION	1		
4-13	LM551--0669Z0	LEVER COMP, PUMP	1		30038-30084
4a-13	LM551--0669B0	LEVER COMP, PUMP	1		30085-
4-14	LM551--0668Z2	LEVER, DETECTING PUMP NEUTRAL	1		30038-30084
4a-14	LM551--0668B2	LEVER, DETECTING NEUTRAL	1		30085-
4-15	LM551--0667Z0	MAGNET, ANISOTROPIC FERRITE 8	1		
4-16	LM551--0604ZD	FRAME, REAR ARM	1		
4-17	LM551--0606Z2	SHAFT, FALCRUM CYLINDER	2		
4-18	LM551--0605Z2	PIPE, CYLINDER	2		
4-19	K5012308262	WASHER, SPCC 2.3-8-26	2		
4-20	K5073212352	WASHER, SPHC 3.2-12-35	6		
4-21	K0200120002	WASHER, SPRING M12	6		
4-22	K0010120302	BOLT, HT P1.75 M12-30	6		
4-23	LM551--0634ZD	BRACKET, FUEL PUMP	1		

5. Cover section A

LM551B

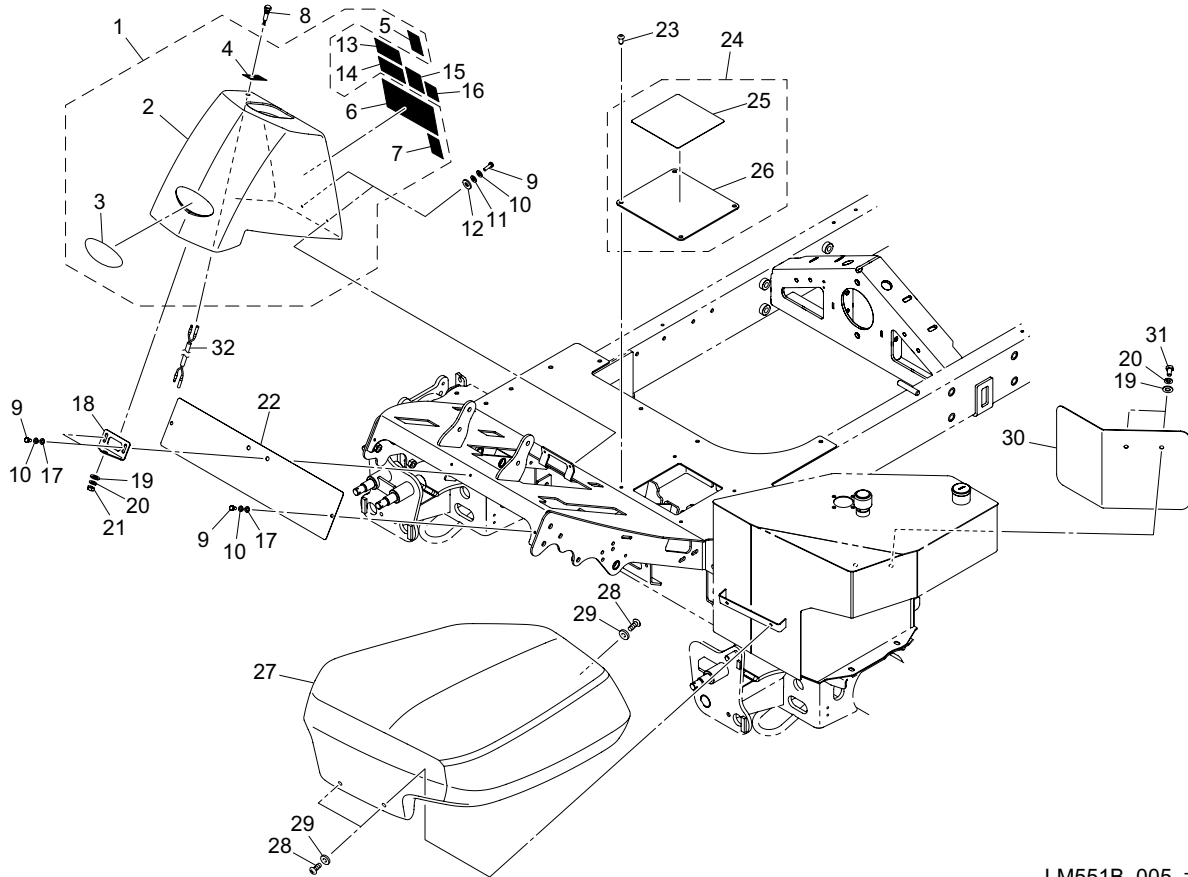


LM551B_005_z01

Cat No.	Code No.	Part name	Qty	Remark	SN of application
5-1	LM551B-0906Z0	COVER COMP, COLUMN (E5)	1		
5-2	LM551--0908A0	COVER COMP, COLUMN	1		
5-3	K4201000570	DECAL BARONESS	1		
5-4	K4205002270	DECAL, WARNING LAMP ENGINE	1		
5-5	K4203001700	DECAL, PARKING BRAKE	1		
5-6	LM2400-0918Z0	DECAL, OPERATION 2	1		
5-7	K4203001710	DECAL, TILT STEERING	1		
5-8	K3641000090	LAMP, WORKING LED RED	1		
5-9	K0000060202	BOLT, M6-20	6		
5-10	K0200060002	WASHER, SPRING M6	6		
5-11	K5011606202	WASHER, SPCC 1.6-6-20	2		
5-12	K4030306200	RUBBER, WASHER 3-6.5-20	2		
5-13	K4205002140	DECAL, WARNING CA P65 FOR RIDING MOWER	1		
5-14	K4205002200	DECAL, WARNING SPARK ARRESTER	1		
5-15	K4209001290	DECAL, NOISE LEVEL LWA 103	1		
5-16	K4205002090	DECAL, CAUTION NOISE	1		
5-17	K5000060002	WASHER, M6	4		
5-18	LM551--0913Z2	BRACKET, FRONT COVER	1		
5-19	K5000080002	WASHER, M8	3		
5-20	K0200080002	WASHER, SPRING M8	3		
5-21	K0100080002	NUT, M8	1		
5-22	LM551--0903ZD	COVER, UNDER FLOOR	1		
5-23	K0062080122	BOLT, BUTTON HEAD W/HEX HOLE M8-12	4		
5-24	LM551--0925Z0	COVER ASSY, STEP	1		
5-25	K4400000140	SHEET, NONSKID STEP 150150	1		
5-26	LM551--0914ZD	COVER, STEP	1		
5-27	LM551--0930Z0	COVER, HYDRAULIC TANK	1		
5-28	K0056080200	SCREW, SUS + TRUSS M8-20	3		
5-29	K4031000070	RUBBER, VIBRATION PROOF 5-825	3		
5-30	LM551--0931ZD	COVER, HYDRAULIC TANK (LOWER)	1		

5. Cover section A

LM551B

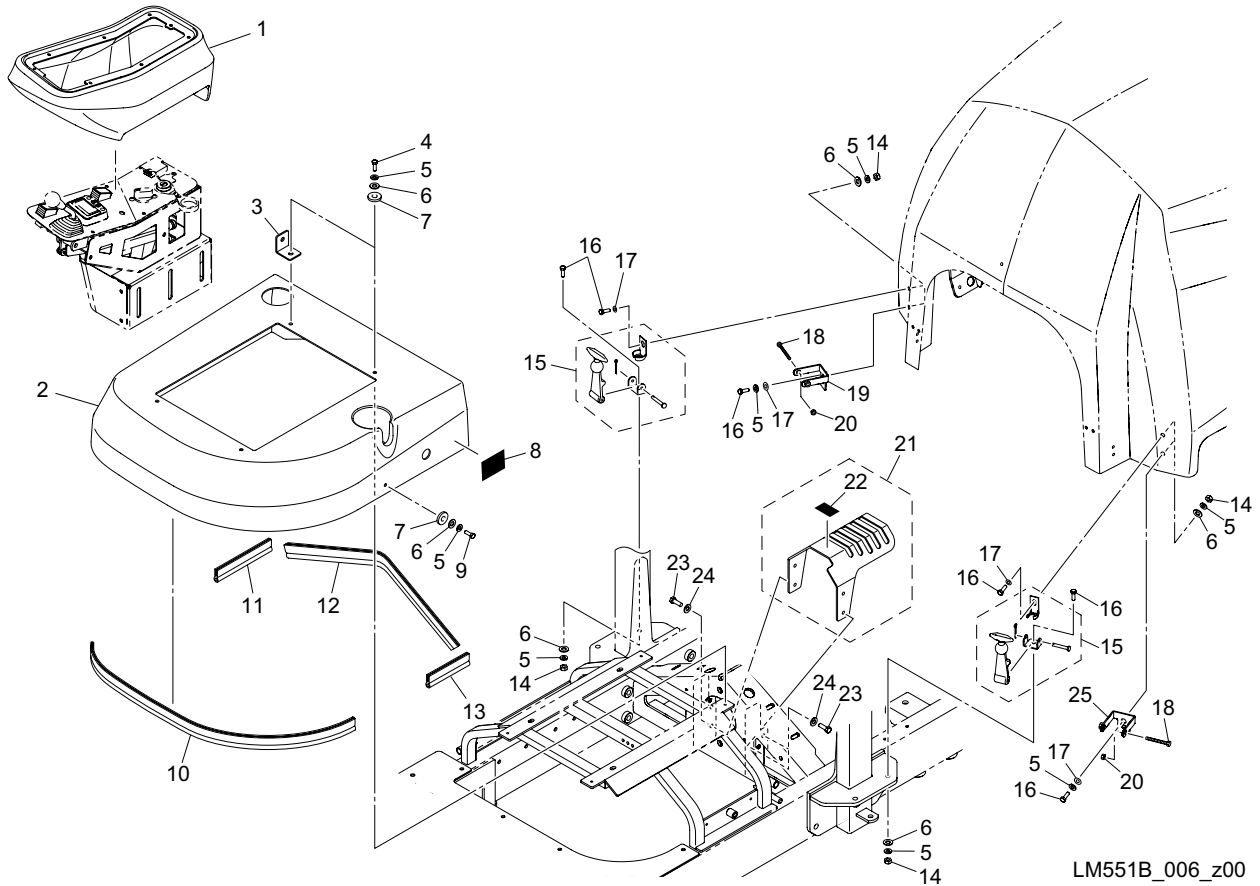


LM551B_005_z01

Cat No.	Code No.	Part name	Qty	Remark	SN of application
5-31	K0000080152	BOLT, M8-15	2		
5-32	K3620002030	WIRE, EXTENSION 500	1		30152-

6. Cover section B

LM551B

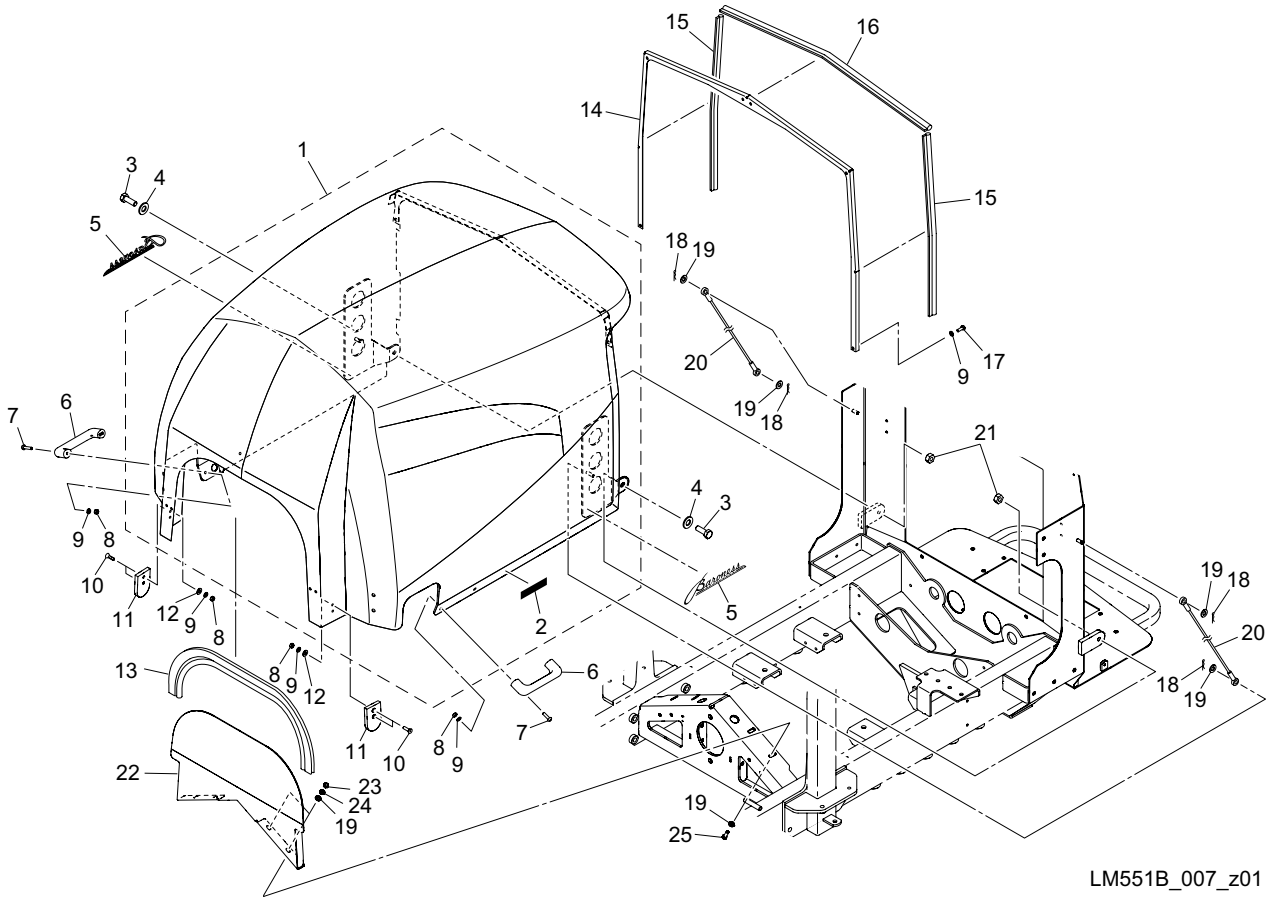


LM551B_006_z00

Cat No.	Code No.	Part name	Qty	Remark	SN of application
6-1	LM551--0920Z0	COVER, CONTROL ARM	1		
6-2	LM551--0921Z0	COVER, SEAT BASE	1		
6-3	LM551--0651ZD	BRACKET, CONNECTOR	1		
6-4	K0000060202	BOLT, M6-20	5		
6-5	K0200060002	WASHER, SPRING M6	12		
6-6	K5011606202	WASHER, SPCC 1.6-6-20	12		
6-7	K4030306200	RUBBER, WASHER 3-6.5-20	6		
6-8	K4203001720	DECAL, OPENING AND SHUTING LEVER	1		
6-9	K0000060402	BOLT, M6-40	1		
6-10	K3198108500	TRIM, SEAL TSLB240C-850	1		
6-11	K3198101650	TRIM, SEAL TSLB240C-165	1		
6-12	K3198105500	TRIM, SEAL TSLB240C-550	1		
6-13	K3198101300	TRIM, SEAL TSLB240C-130	1		
6-14	K0100060002	NUT, M6	6		
6-15	K1520000030	HOOK ASSY, RUBBER	2		
6-16	K0000060252	BOLT, M6-25	6		
6-17	K5000060002	WASHER, M6	4		
6-18	K0000060452	BOLT, M6-45	2		
6-19	K7355000702	FITTING, RUBBER CATCH LOCK	1		
6-20	K0144060002	NUT, W/F-RING M6	2		
6-21	LM551--0934Z0	COVER COMP, JOINT	1		
6-22	K4205002000	DECAL, CAUTION PTO	1		
6-23	K0000080202	BOLT, M8-20	4		
6-24	K0200080002	WASHER, SPRING M8	4		
6-25	K7355000722	FITTING, RUBBER CATCH LOCK (RH)	1		

7. Cover section C

LM551B

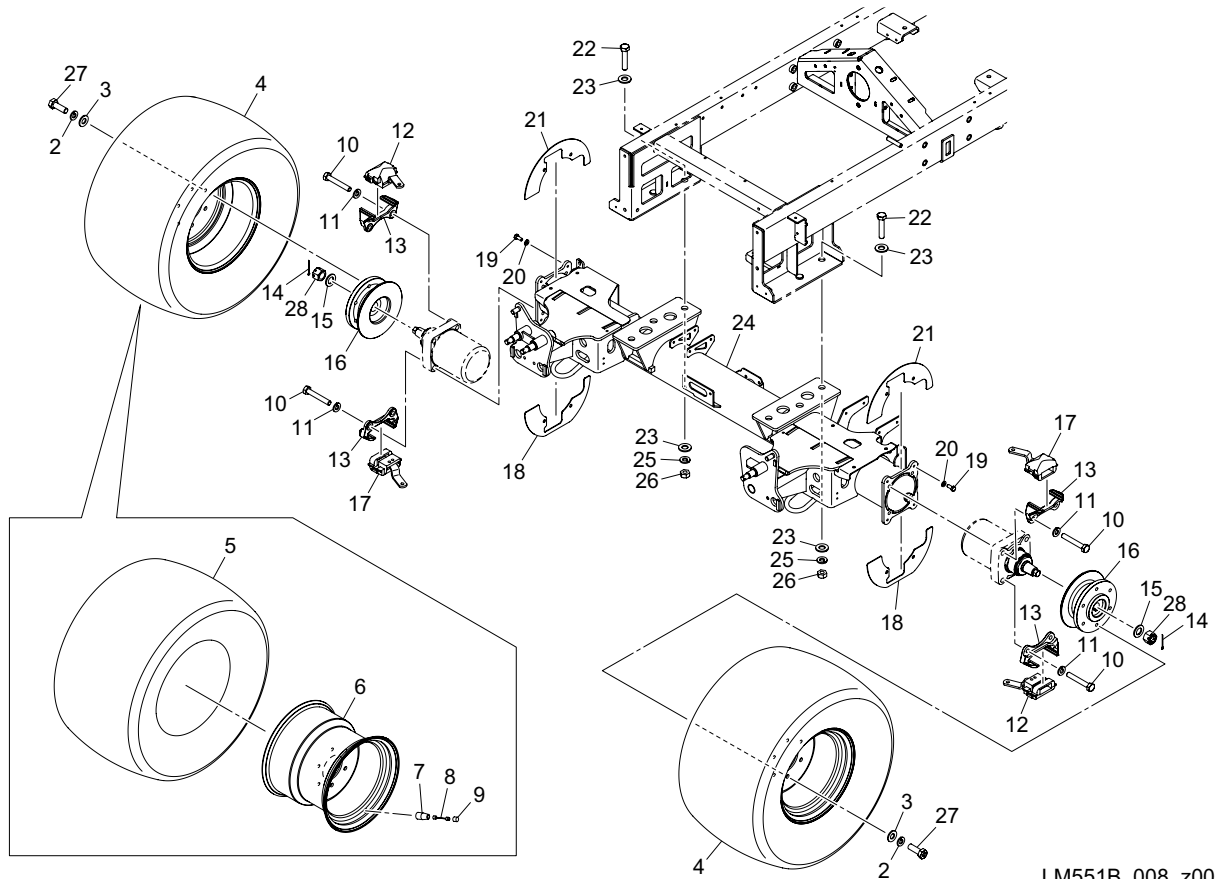


LM551B_007_z01

Cat No.	Code No.	Part name	Qty	Remark	SN of application
7-1	LM551B-0901Z0	HOOD ASSY, (E5)	1		
7-2	K4205001540	DECAL, CAUTION HOT PARTS	1		
7-3	K0000120302	BOLT, M12-30	2		
7-4	K5073212352	WASHER, SPHC 3.2-12-35	2		
7-5	K4201000690	PLATE, PMMA BARONESS	2		
7-6	K1301000160	GRIP, PLASTIC HANDLE	2		
7-7	K0042060252	SCREW, + ROUND HEAD M6-25	4		
7-8	K0100060002	NUT, M6	8		
7-9	K0200060002	WASHER, SPRING M6	14		
7-10	K0041060252	SCREW, + FLAT HEAD M6-25	4		
7-11	LM551--0909Z0	PLATE, GUIDE	2		
7-12	K5011606202	WASHER, SPCC 1.6-6-20	4		
7-13	K3198109900	TRIM, SEAL TSLB240C-990	1		
7-14	LM551--0919ZD	PLATE, HEAT PROTECTOR	1		
7-15	K3198005500	TRIM, SEAL 4100-16C-550	2		
7-16	K3198007900	TRIM, SEAL 4100-16C-790	1		
7-17	K0000060102	BOLT, M6-10	6		
7-18	K0340800002	PIN, SNAP W/RETAINER M8	4		
7-19	K5000080002	WASHER, M8	12		
7-20	K1170028000	CABLE, 280	2		
7-21	K0100120002	NUT, M12	2		
7-22	LM551B-0904ZR	GUIDE, COVER	1		
7-23	K0100080002	NUT, M8	4		
7-24	K0200080002	WASHER, SPRING M8	4		
7-25	K0000080252	BOLT, M8-25	4		

8. Front wheel section

LM551B

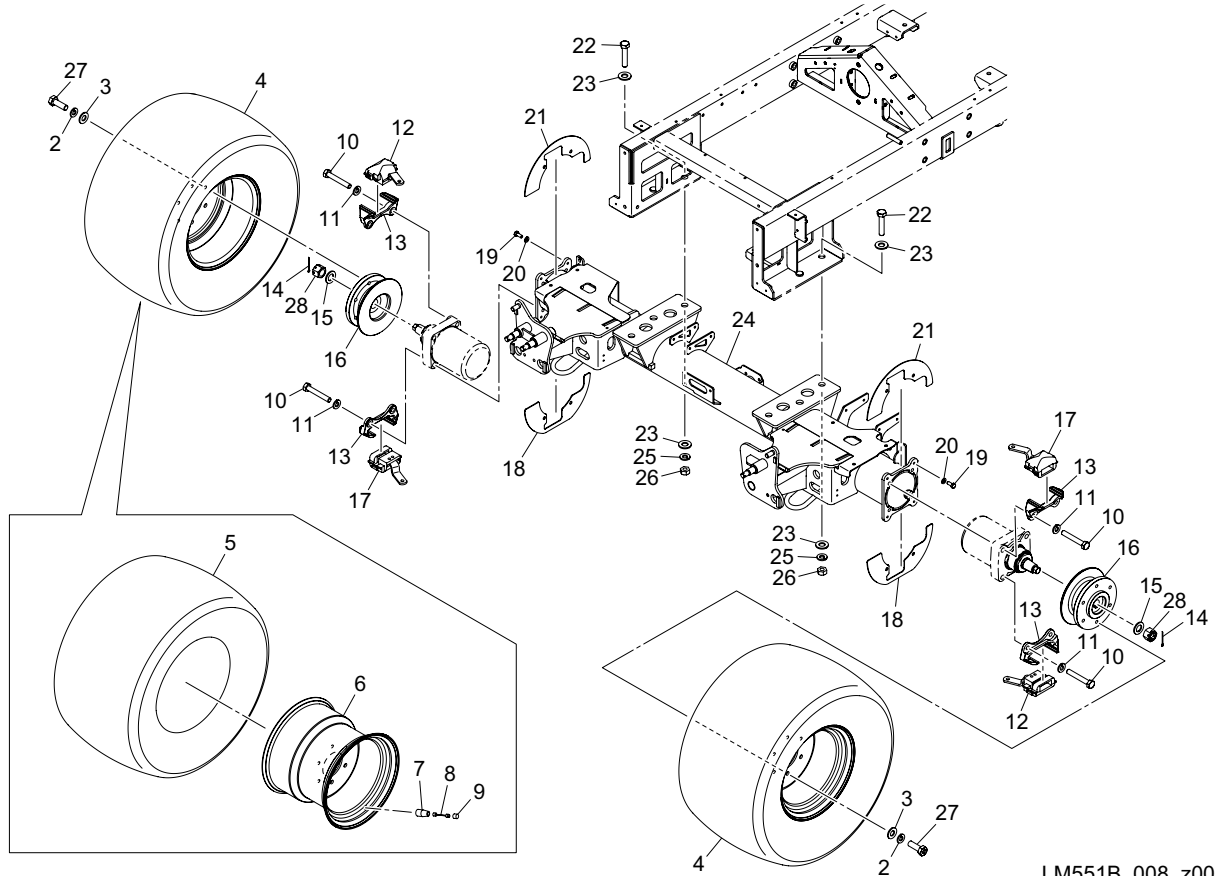


LM551B_008_z00

Cat No.	Code No.	Part name	Qty	Remark	SN of application
8-1					
8-2	K0200120002	WASHER, SPRING M12	12		
8-3	K5000120002	WASHER, M12	12		
8-4	K2040000940	TIRE ASSY, 26.5*14.00-12	2		30175-30511,30529-
8a-4	K2040001170	TIRE ASSY, 26.5*14.00-12	2		30512-30528
8-5	K2041000300	TIRE, 26.5*14.00-12TL	2		30175-30511,30529-
8a-5	K2041000630	TIRE, 26.5*14.00-12TL	2		30512-30528
8-6	K209000087D	WHEEL, 12*10.5	2		
8-7	K2097000010	VALVE, RIM TR413	2		
8-8	K2092000020	CORE, VALVE NO.9000	2		
8-9	K2093000010	CAP, VALVE	2		
8-10	K0013120702	BOLT, HT M12-70	8		
8-11	K0213120002	WASHER, DISK SPRING 1H M12	8		
8-12	K1720000230	BRAKE ASSY, M30WM CCW	2		
8-13	K1729000010	BRACKET, BREAK MW30M	4		
8-14	K0300040502	PIN, COTTER M4-50	2		
8-15	K5000240002	WASHER, M24	2		
8-16	LM5000V0902AD	MOUNT, WHEEL	2		30001-32088
8a-16	K216000016D	MOUNT, WHEEL	2		32089-
8-17	K1720000220	BRAKE ASSY, M30WM CW	2		
8-18	LM551--0308ZD	COVER, INNER RACE (LOWER)	2		
8-19	K0000080202	BOLT, M8-20	8		
8-20	K0200080002	WASHER, SPRING M8	8		
8-21	LM551--0307ZD	COVER, INNER RACE (UPPER)	2		
8-22	K0015200702	BOLT, HT P1.5 M20-70	4		
8-23	K5000200002	WASHER, M20	8		
8-24	LM551--0301ZD	AXLE, FRONT	1		
8-25	K0200200002	WASHER, SPRING M20	4		
8-26	K0152200002	NUT, NYLON P1.5 M20	4		
8-27	K0011120352	BOLT, HT P1.5 M12-35	12		

8. Front wheel section

LM551B

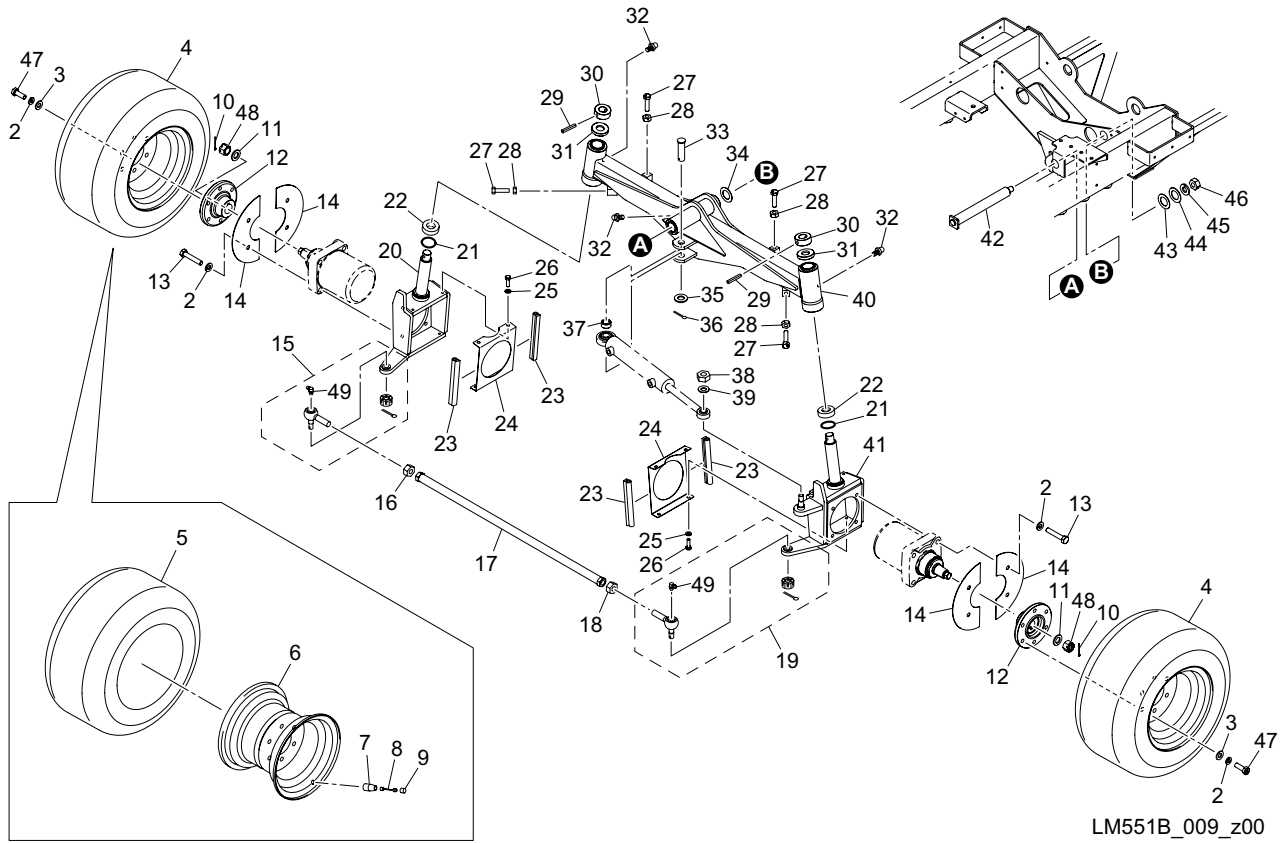


LM551B_008_z00

Cat No.	Code No.	Part name	Qty	Remark	SN of application
8-28	Y025113	NUT	2		

9. Rear wheel section

LM551B

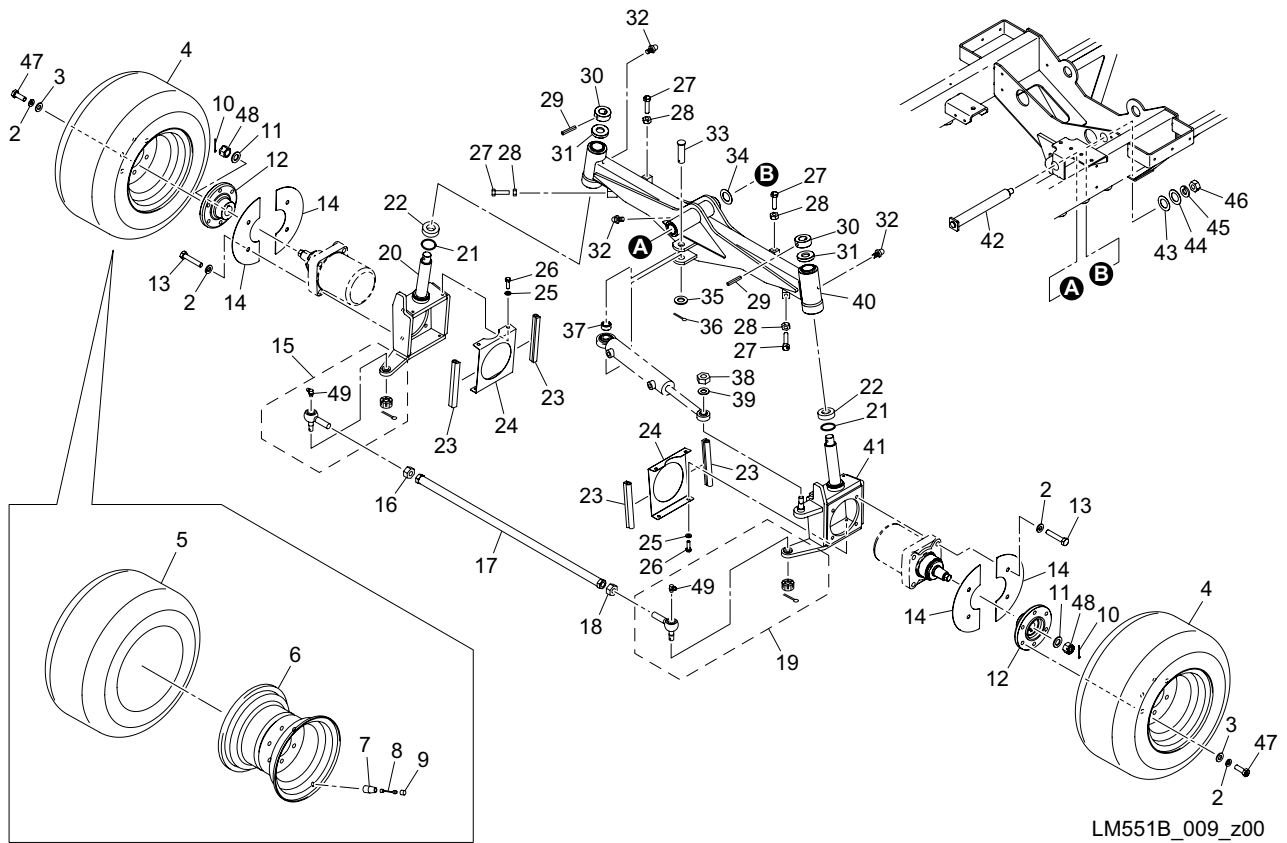


LM551B_009_z00

Cat No.	Code No.	Part name	Qty	Remark	SN of application
9-1					
9-2	K0200120002	WASHER, SPRING M12	20		
9-3	K5000120002	WASHER, M12	12		
9-4	K2040000910	TIRE ASSY, 20*12.00-10	2		30175-30511,30529-
9a-4	K2040001060	TIRE ASSY, K516 20*12.00-10	2		30512-30528
9-5	K2041000390	TIRE, 20*12.00-10RS	2		30175-30511,30529-
9a-5	K2041000570	TIRE, K516 20*12.00-10	2		30512-30528
9-6	K209000094D	WHEEL, 10*8.5	2		
9-7	K2097000010	VALVE, RIM TR413	2		
9-8	K2092000020	CORE, VALVE NO.9000	2		
9-9	K2093000010	CAP, VALVE	2		
9-10	K0300040502	PIN, COTTER M4-50	2		
9-11	K5011025452	WASHER, SPCC 1-25.4-45.5	2		
9-12	GM1500A0240AD	MOUNT, FRONT WHEEL 90	2		
9-13	K0010120602	BOLT, HT M12-60	8		
9-14	LM551--0314AD	PLATE, PRIVENTING GRASS FOR REAR WHEEL	4		
9-15	K1610000020	END ASSY, TIE-ROD MALE (RH)	1		30001-32050
9a-15	K1610000030	END ASSY, TIE-ROD MALE (RH)	1		32051-
9-16	K0160000202	NUT, LEFT-HANDED SPECIAL P1.5 M17	1		
9-17	LM551--0305ZD	ROD, TIE	1		
9-18	K0160000192	NUT, SPECIAL P1.5 M17	1		
9-19	K1611000020	END ASSY, TIE-ROD LEFT-HANDED MALE (LH)	1		30001-32050
9a-19	K1611000030	END ASSY, TIE-ROD LEFT-HANDED MALE (LH)	1		32051-
9-20	LM551--0310ZD	KINGPIN, (RH)	1		
9-21	K0880048000	O-RING, P48	2		
9-22	K0640511070	BEARING, BALL THRUST 51107	2		
9-23	K3198501700	TRIM, SEAL 4100-16A-170	4		
9-24	LM551--0313ZD	PLATE, PRIVENTING GRASS FOR KINGPIN	2		
9-25	K0200080002	WASHER, SPRING M8	8		
9-26	K0000080152	BOLT, M8-15	8		

9. Rear wheel section

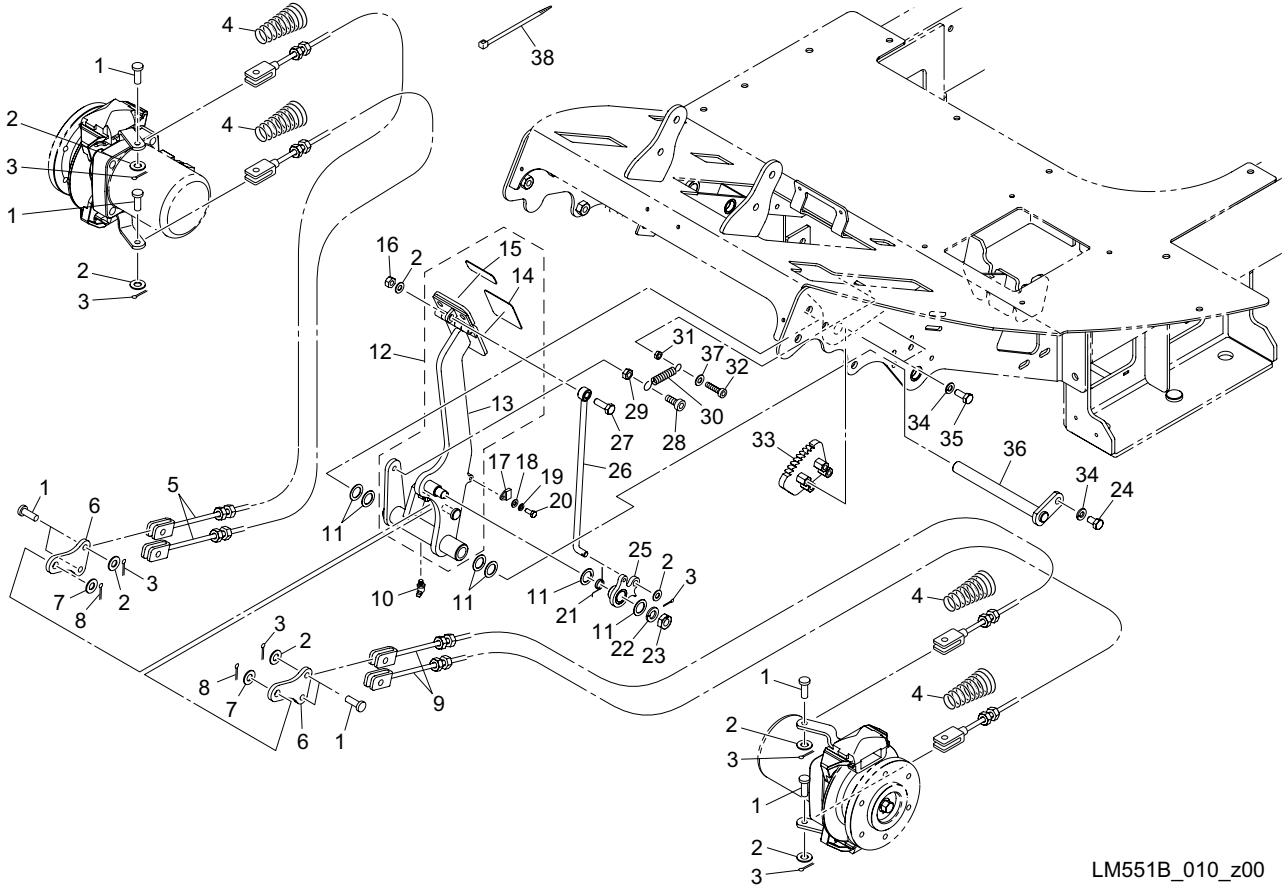
LM551B



Cat No.	Code No.	Part name	Qty	Remark	SN of application
9-27	K0010120502	BOLT, HT M12-50	4		
9-28	K0159000052	NUT, SMALL M12	4		
9-29	K0320080501	PIN, SPRING M8-50	2		
9-30	K6213000113	COLLAR, W/HOLE M25-50-20	2		
9-31	K6204000383	LID	2		
9-32	K1440000010	GREASE NIPPLE, STRAIGHT TYPE A	3		
9-33	K6031200702	PIN, FLAT HEAD HT M20-70	1		
9-34	K5051030500	WASHER, C5191P 1-30-50	1-2	for adjustment	
9-35	K5012320402	WASHER, SPCC 2.3-20-40	1		
9-36	K0300032402	PIN, COTTER M3.2-40	1		
9-37	K6212001072	COLLAR, STKM M20-30-14	1		
9-38	K0145140002	NUT, W/F-RING M14 P1.5	1		
9-39	K0215140001	WASHER, DISK SPRING 2H M14	1		
9-40	LM551--0302ZD	PIVOT	1		
9-41	LM551--0311ZD	KINGPIN, (LH)	1		
9-42	LM551--0304A8	SHAFT, W/M16 30261	1		
9-43	K5011030422	WASHER, SPCC 1-30-42	1-2	for adjustment	
9-44	K5073216352	WASHER, SPHC 3.2-16-35	1		
9-45	K0200160002	WASHER, SPRING M16	1		
9-46	K0100160002	NUT, M16	1		
9-47	K0011120352	BOLT, HT P1.5 M12-35	12		
9-48	Y025113	NUT	2		
9-49	K1440000020	GREASE NIPPLE, TYPE C	2		32051-

10. Pedal section A

LM551B

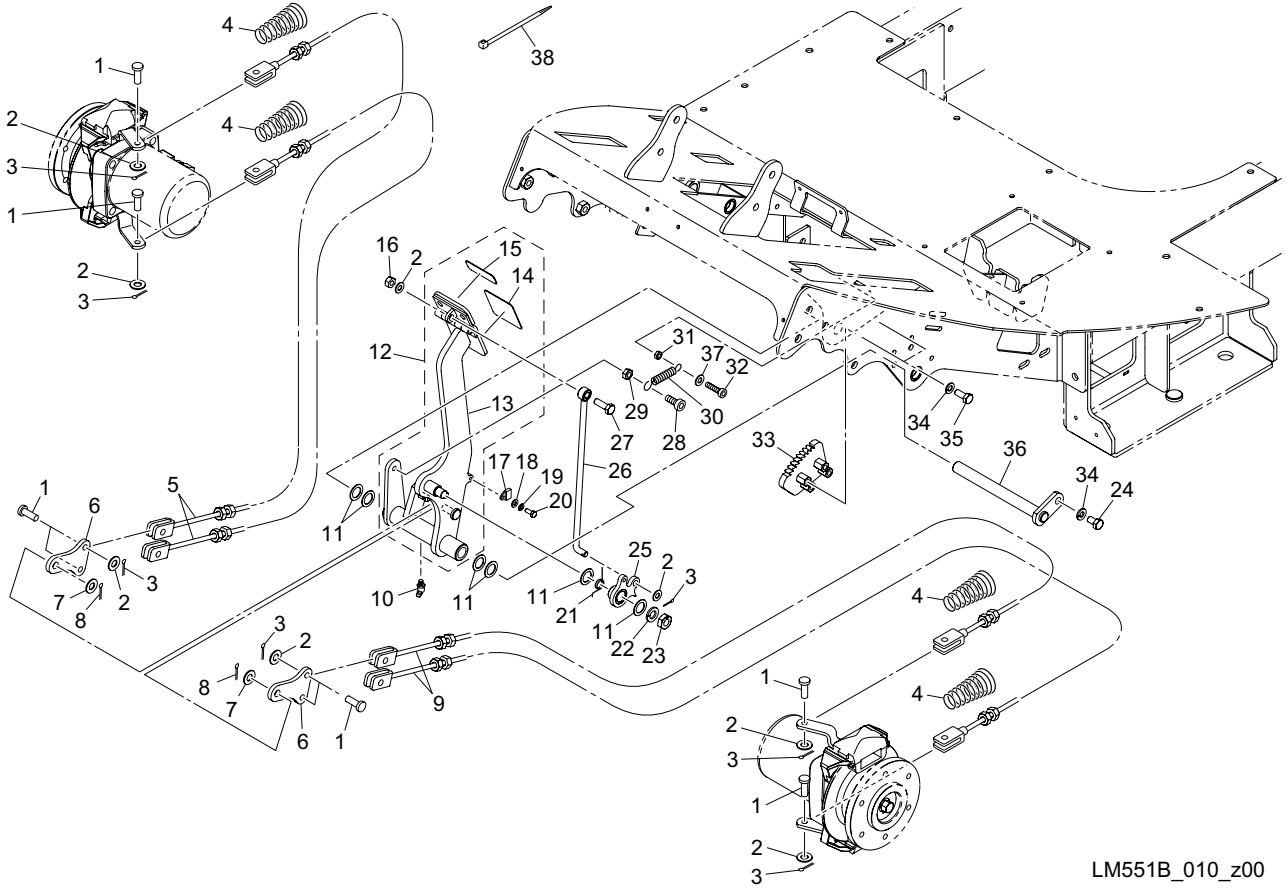


LM551B_010_z00

Cat No.	Code No.	Part name	Qty	Remark	SN of application
10-1	K6031080222	PIN, FLAT HEAD HT M8-22	8		
10-2	K5000080002	WASHER, M8	10		
10-3	K0300020202	PIN, COTTER M2-20	9		
10-4	K1000000988	SPRING, COMPRESSION TAPERED M1.6-22-95	4		
10-5	K1120164000	WIRE, BRAKE 1640	2		
10-6	LM551--0402Z2	PLATE, BREAK WIRE	2		
10-7	K5000100002	WASHER, M10	2		
10-8	K0300025202	PIN, COTTER M2.5-20	2		
10-9	K1120139000	WIRE, BRAKE 1390	2		
10-10	K1440000030	GREASE NIPPLE, TYPE B	1		
10-11	K5051016240	WASHER, C5191P 1-16-24	6		
10-12	LM551--0403Z0	PEDAL ASSY, BRAKE	1		
10-13	LM551--0417ZD	PEDAL, BRAKE	1		
10-14	K4400000130	SHEET, NONSKID FOR PEDAL 5555	1		
10-15	K4400000120	SHEET, NONSKID FOR PEDAL 2055	1		
10-16	K0144080002	NUT, W/F-RING M8	1		
10-17	K1510000110	MAGNET, W/PLASTIC BASE	1		
10-18	K5000050002	WASHER, M5	1		
10-19	K0200050002	WASHER, SPRING M5	1		
10-20	K0000050152	BOLT, M5-15	1		
10-21	K1050000028	SPRING, TORSION	1		
10-22	K0213120002	WASHER, DISK SPRING 1H M12	1		
10-23	K0102120002	NUT, M12-3	1		
10-24	K0000080152	BOLT, M8-15	1		
10-25	LM551--0416Z2	CLAW, LOCKING PARKING BRAKE	1		
10-26	LM551--0422Z2	SHAFT, LOCKING	1		
10-27	K0000080252	BOLT, M8-25	1		
10-28	K001A080201	BOLT, 13T W/HEX HOLE M8-20	1		
10-29	K0100080002	NUT, M8	1		
10-30	K1020000208	SPRING, W/ROUND HOOK M1.6-16.6-65.2	1		

10. Pedal section A

LM551B

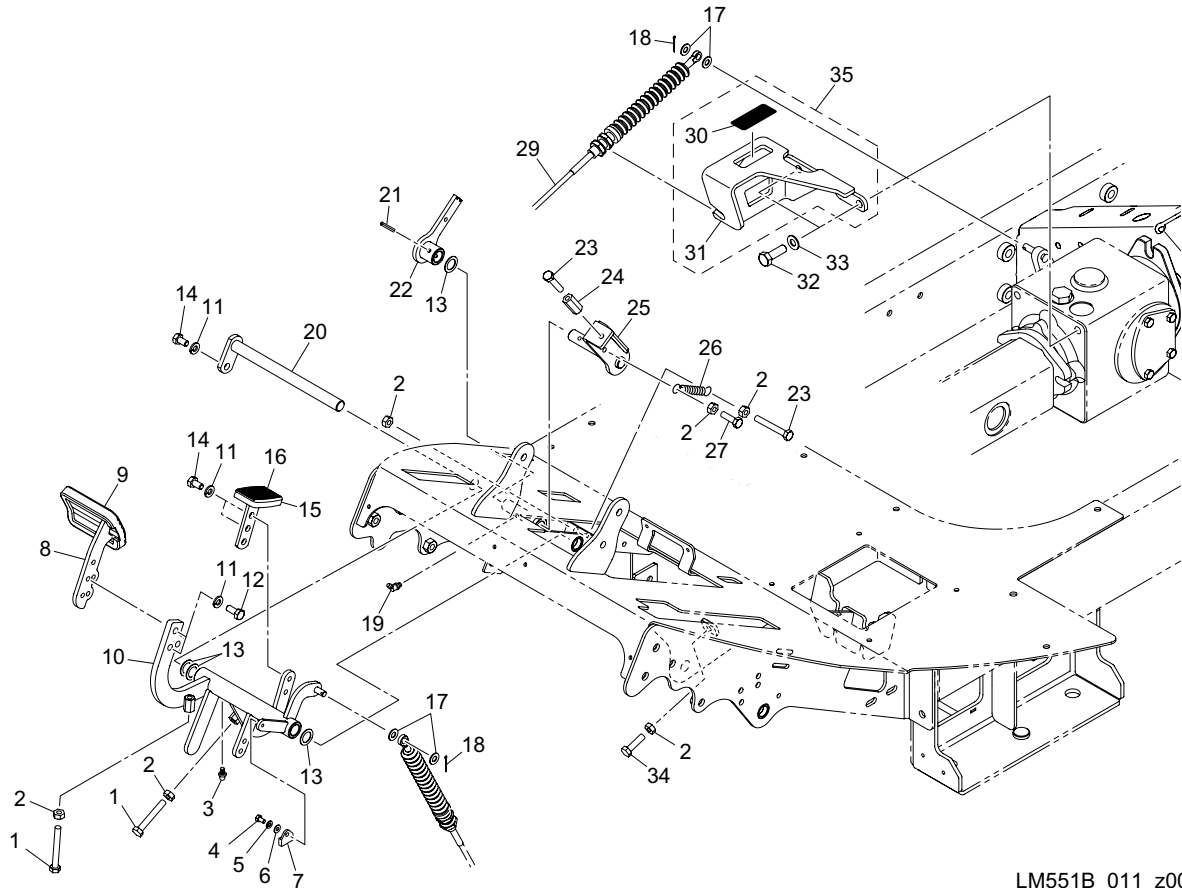


LM551B_010_z00

Cat No.	Code No.	Part name	Qty	Remark	SN of application
10-31	K0100060002	NUT, M6	1		
10-32	K001A060301	BOLT, 13T W/HEX HOLE M6-30	1		
10-33	LM551--0415Z2	CLAW, LOCKING	1		
10-34	K0200080002	WASHER, SPRING M8	3		
10-35	K0000080202	BOLT, M8-20	2		
10-36	LM551--0436Z2	SHAFT, PEDAL	1		
10-37	K5012306162	WASHER, SPCC 2.3-6-16	1		
10-38	K4241000130	BAND, PLASTIC TRCV-450W	5		

11. Pedal section B

LM551B

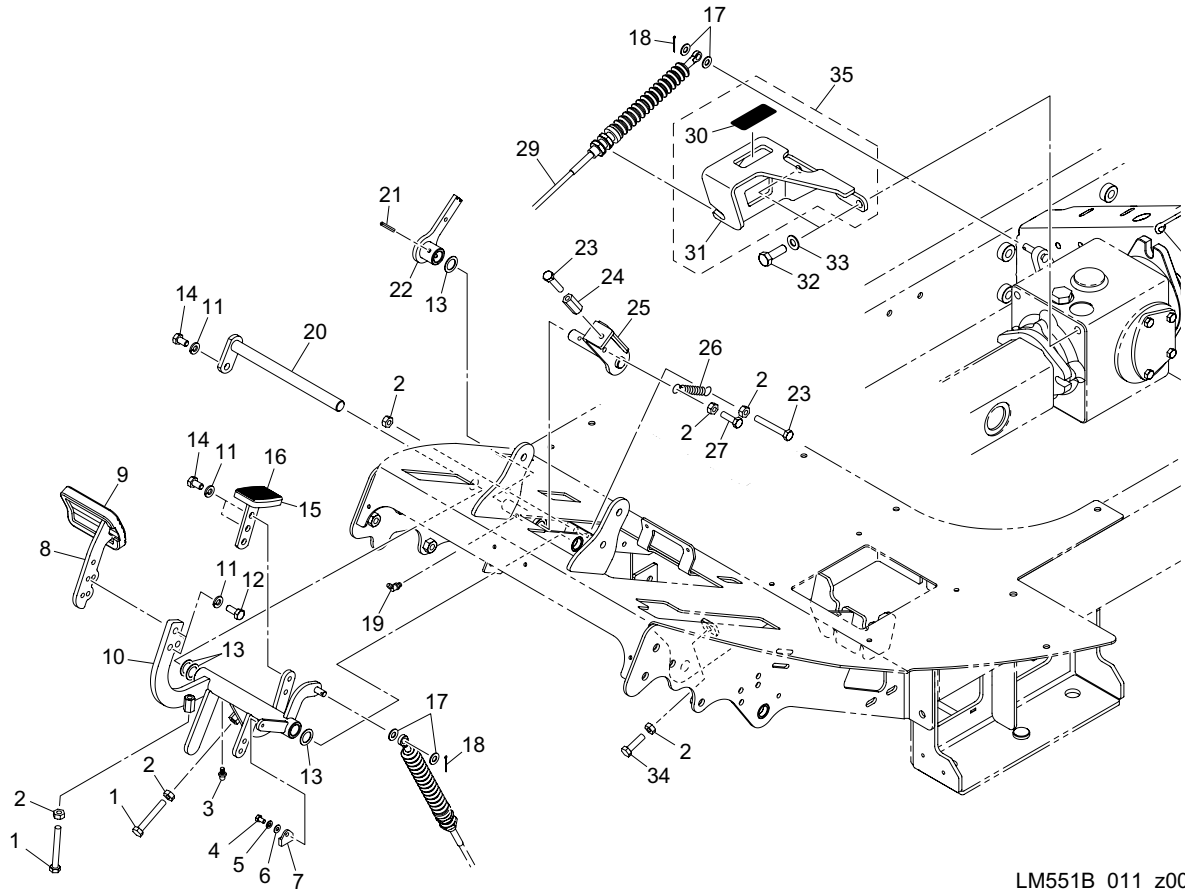


LM551B_011_z00

Cat No.	Code No.	Part name	Qty	Remark	SN of application
11-1	K0000080602	BOLT, M8-60	2		
11-2	K0100080002	NUT, M8	6		
11-3	K1440000010	GREASE NIPPLE, STRAIGHT TYPE A	1		
11-4	K0000050152	BOLT, M5-15	1		
11-5	K0200050002	WASHER, SPRING M5	1		
11-6	K5000050002	WASHER, M5	1		
11-7	K1510000110	MAGNET, W/PLASTIC BASE	1		
11-8	LM551--0433ZD	PEDAL, TRAVELLING	1		
11-9	K4050000050	RUBBER, FOR PEDAL 70100	1		
11-10	LM551--0434ZD	PEDAL, LOWER	1		
11-11	K0200080002	WASHER, SPRING M8	5		
11-12	K0000080202	BOLT, M8-20	2		
11-13	K5051016240	WASHER, C5191P 1-16-24	4		
11-14	K0000080152	BOLT, M8-15	3		
11-15	LM551--0435ZD	PEDAL, BACKWARD	1		
11-16	K4050000020	RUBBER, FOR PEDAL 4560	1		
11-17	K5000080002	WASHER, M8	4		
11-18	K0300025202	PIN, COTTER M2.5-20	2		
11-19	K1440000030	GREASE NIPPLE, TYPE B	1		
11-20	LM551--0432Z2	SHAFT, PEDAL LARGE	1		
11-21	K0320050251	PIN, SPRING M5-25	1		
11-22	LM551--0431Z2	LEVER, LOCKING	1		
11-23	K0000080402	BOLT, M8-40	2		
11-24	K0149083252	NUT,HIGH M8-13-25	1		
11-25	LM551--0430Z2	LEVER, LOCKING OPERATION SPEED	1		
11-26	K1020000068	SPRING, W/ROUND HOOK M1.6-13.6-104	1		
11-27	K0000080252	BOLT, M8-25	1		
11-28					
11-29	K1160122000	CABLE, PUSH-PULL 1220	1		
11-30	LM551--0413A0	DECAL, INDICATING REEL ROTATION	1		

11. Pedal section B

LM551B

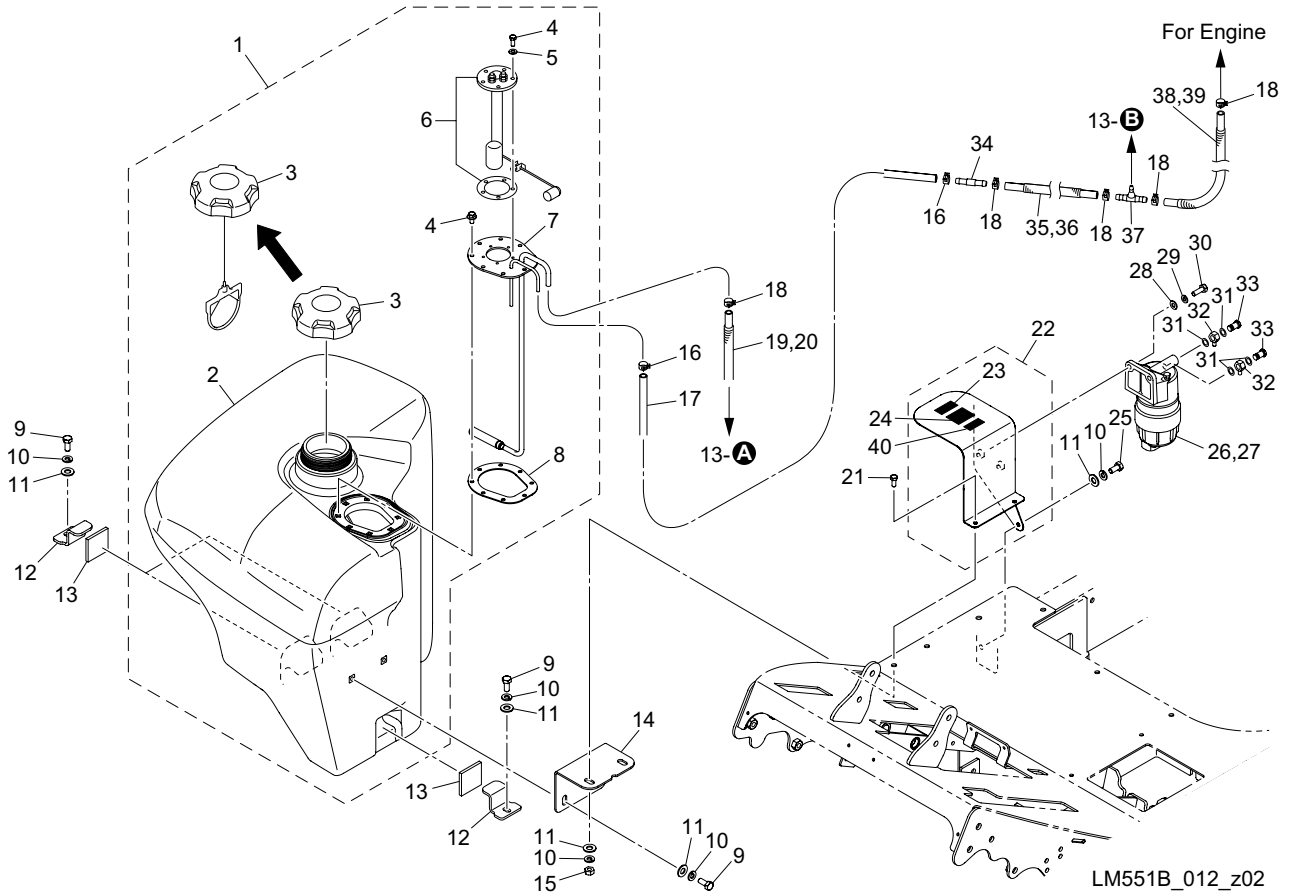


LM551B_011_z00

Cat No.	Code No.	Part name	Qty	Remark	SN of application
11-31	LM551--0412ZD	BRACKET, PP WIRE	1		
11-32	K0069000042	BOLT, UNC19 3/8-16	2		
11-33	K0200100002	WASHER, SPRING M10	2		
11-34	K0000080302	BOLT, M8-30	1		
11-35	LM551--0411A0	BRACKET, PP WIRE W/DECAL	1		

12. Fuel tank section A

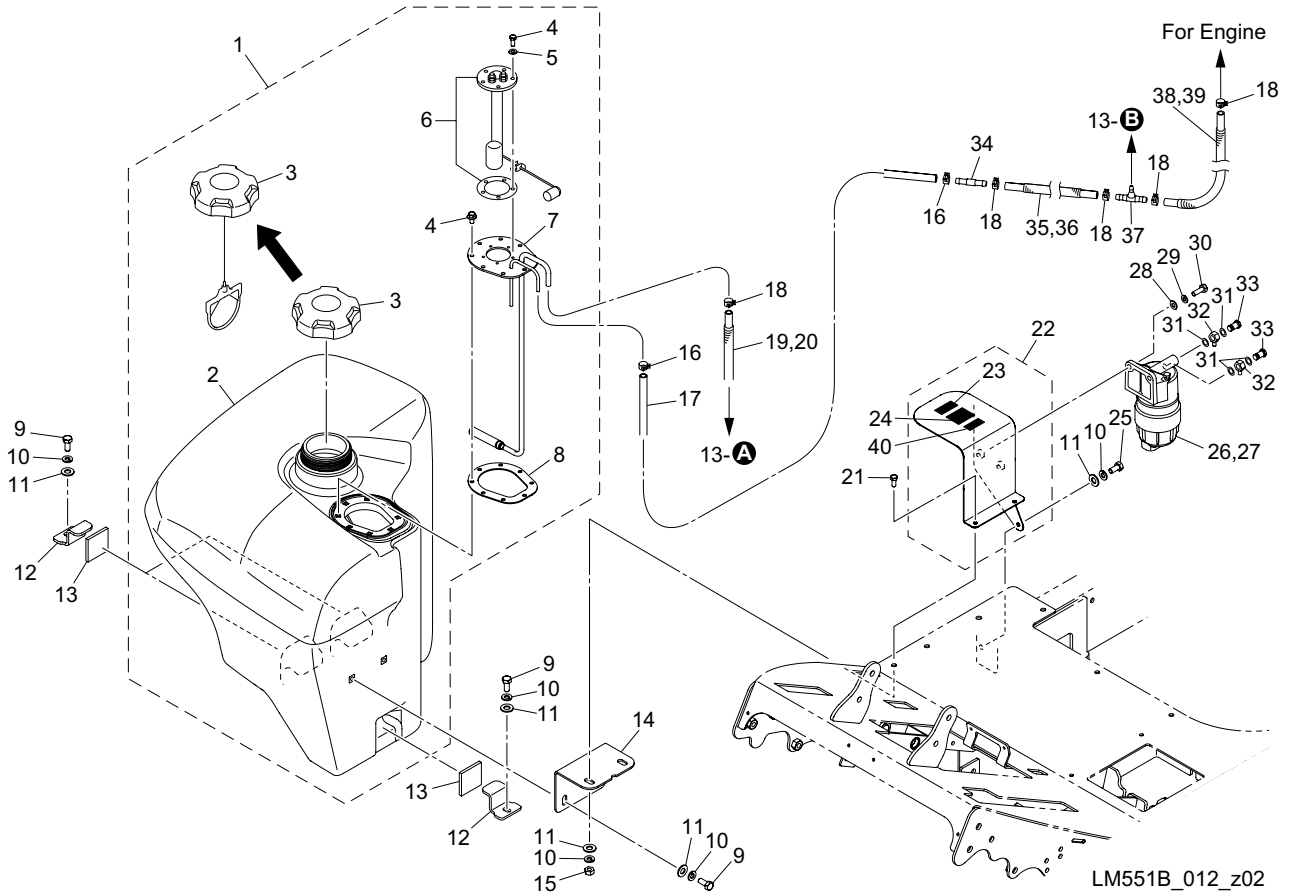
LM551B



Cat No.	Code No.	Part name	Qty	Remark	SN of application
12-1	LM551--0705A0	TANK ASSY, PLASTIC 65 (E4)	1		30038-30092
12a-1	LM551--0705B0	TANK ASSY, PLASTIC 65 (E4)	1		30093-30302
12b-1	LM551--0705C0	TANK ASSY, PLASTIC 65 (E4)	1		30303-
12-2	LM551--0702Z0	TANK COMP, FUEL 65	1		
12-3	K1410000130	CAP, FUEL TARGET 350	1	with Diesel Instruction Mark	30038-30092
12a-3	K1410000190	CAP, FUEL RATCHET 350	1		30093-30302
12b-3	K1410000200	CAP, FUEL RATCHET 350R	1		30303-
12-4	K0021050122	BOLT, W/FRANGE M5-12	13		
12-5	K0922050000	SEAL, WASHER 5WF	5		
12-6	LM551--0706B0	SENDER, FUEL 220*210	1		
12-7	LM551--0703A3	BRACKET, FUEL HOSE (E4)	1		
12-8	LM551--0704Z0	PACKING	1		
12-9	K0000080202	BOLT, M8-20	5		
12-10	K0200080002	WASHER, SPRING M8	8		
12-11	K5000080002	WASHER, M8	8		
12-12	LM551--0707ZD	METAL, SECURING TANK BASE	3		
12-13	K4033000620	RUBBER, PLATE 5-5050	3		
12-14	LM551--0708ZD	PLATE, SECURING TANK SIDE	1		
12-15	K0100080002	NUT, M8	2		
12-16	K4260000150	CLAMP, HOSE 12	2		
12-17	K3182015000	HOSE, FUEL 4*1B1500	1		
12-18	K4260000240	CLIP, PIPE PF14911-4275-0	5		
12-19	PF09661-80650	TUBE, FUEL 650	1		
12-20	K3196006000	TUBE, CORRUGATED 13-600	1		
12-21	K0056080200	SCREW, SUS + TRUSS M8-20	2		
12-22	LM551B-0601Z0	COVER COMP, SENDER (E5)	1		30038-30092
12a-22	LM551B-0601A0	COVER COMP, SENDER (E5)	1		30093-
12-23	K4205001940	DECAL, DANGER "NO FIRE"	1		
12-24	K4209001000	DECAL, DIESEL OIL FILLER PORT	1		
12-25	K0000080152	BOLT, M8-15	1		

12. Fuel tank section A

LM551B

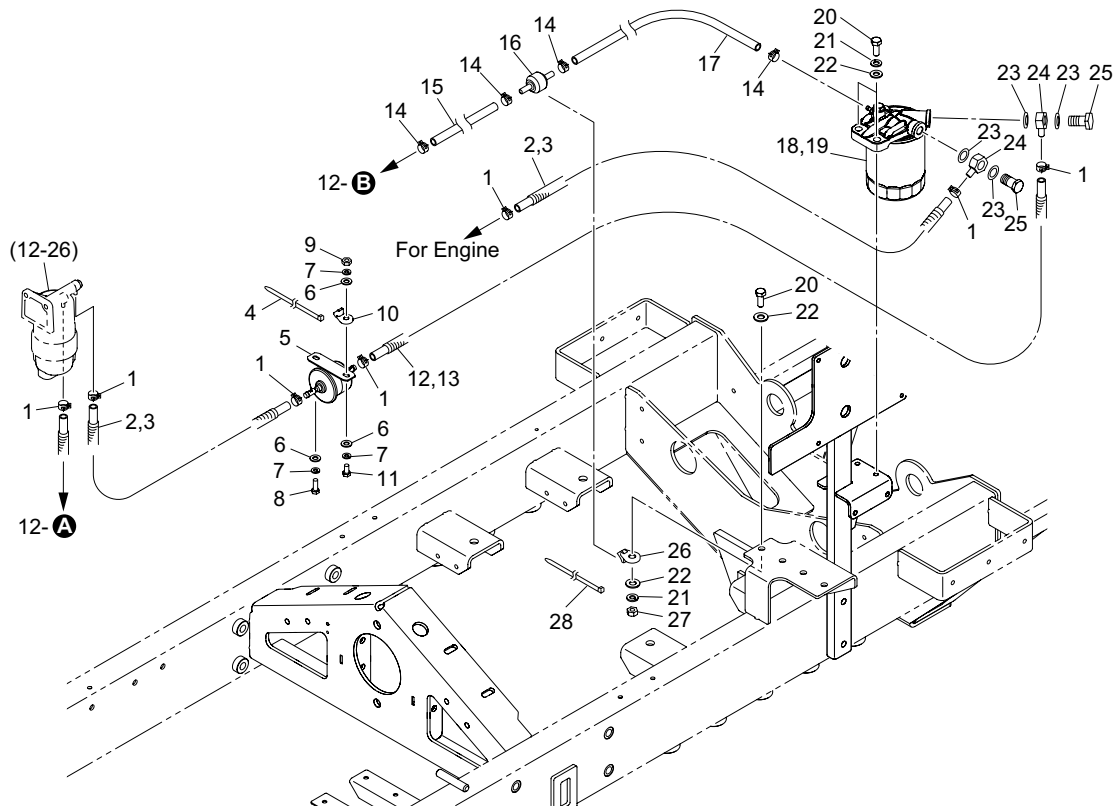


LM551B_012_z02

Cat No.	Code No.	Part name	Qty	Remark	SN of application
12-26	PF1K987-4335-0	FILTER ASSY, SEPARATOR	1		
12-27	PF1J520-43060	ELEMENT ASSY, FILTER	1		
12-28	K5000100002	WASHER, M10	2		
12-29	K0200100002	WASHER, SPRING M10	2		
12-30	K0000100302	BOLT, M10-30	2		
12-31	PF17105-3368-0	PACKING	4		
12-32	PF15401-9569-3	JOINT, PIPE	2		
12-33	PF16541-9579-1	BOLT, COUPLING	2		
12-34	HM1560K0820Z0	JOINT, FUEL HOSE 8-6	1		
12-35	PF09661-80400	TUBE, FUEL 400	1		
12-36	K3196003500	TUBE, CORRUGATED 13-350	1		
12-37	PF59750-77520	JOINT	1		
12-38	PF09661-80500	TUBE, FUEL 500	1		
12-39	K3196004500	TUBE, CORRUGATED 13-450	1		
12-40	K4209001530	DECAL, INDICATING DIESEL FUEL	1		30093-

13. Fuel tank section B

LM551B

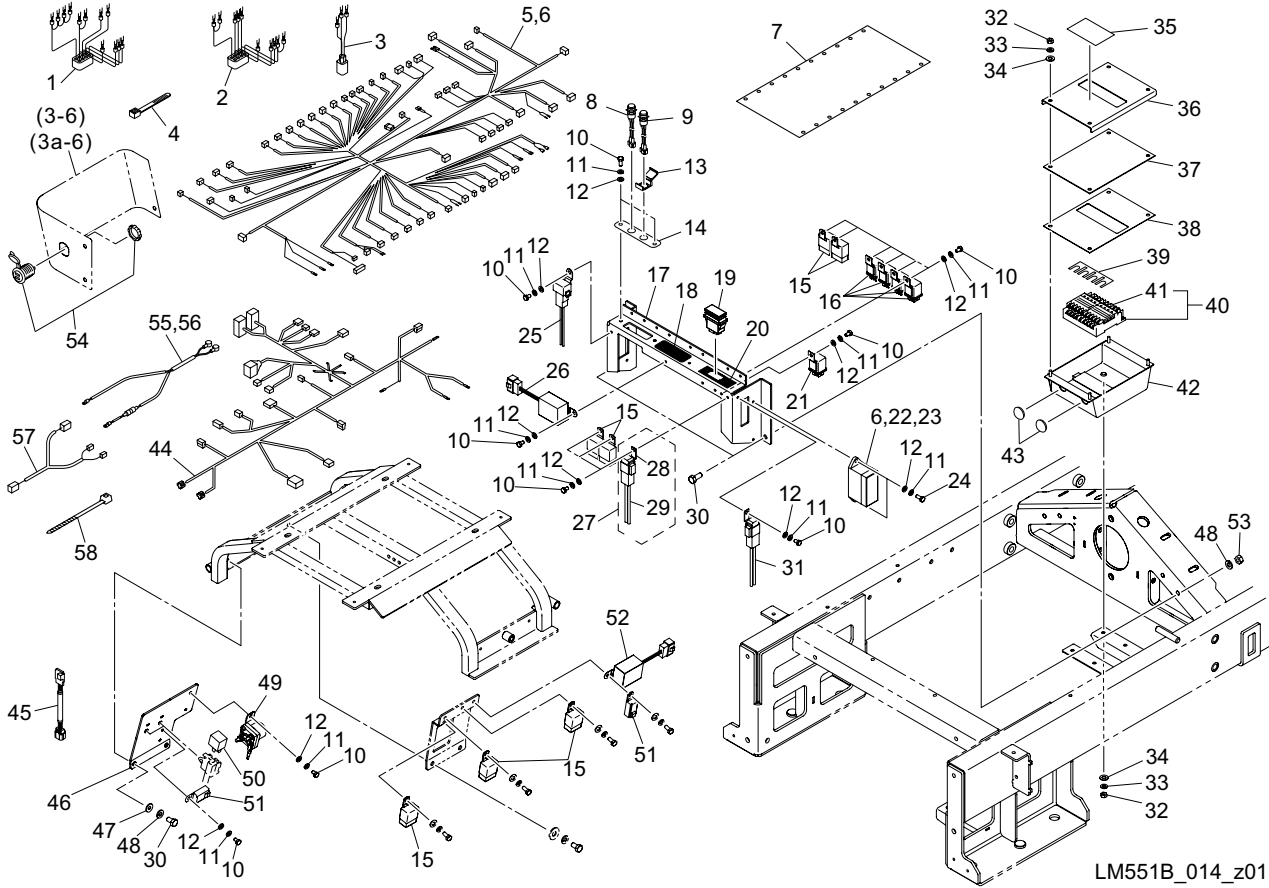


LM551B_013_z00

Cat No.	Code No.	Part name	Qty	Remark	SN of application
13-1	K4260000240	CLIP, PIPE PF14911-4275-0	7		
13-2	PF09661-80650	TUBE, FUEL 650	2	cut at 550mm	
13-3	K3196005000	TUBE, CORRUGATED 13-500	2		
13-4	K4241000040	BAND, PLASTIC TRCV-200W	11		
13-5	PF1G639-5203-5	PUMP ASSY, FUEL	1		
13-6	K5000060002	WASHER, M6	3		
13-7	K0200060002	WASHER, SPRING M6	3		
13-8	K0000060102	BOLT, M6-10	1		
13-9	K0100060002	NUT, M6	1		
13-10	K4241000140	BAND, PLASTIC TIE MOUNT CL8-SB8	1		
13-11	K0000060252	BOLT, M6-25	1		
13-12	PF09661-81600	TUBE, FUEL 1600	1		
13-13	K3196015500	TUBE, CORRUGATED 13-1550	1		
13-14	K4260000150	CLAMP, HOSE 12	4		
13-15	K3182001000	HOSE, FUEL 4*1B100	1		30001-32017
13a-15	K3182001200	HOSE, FUEL 4*1B120	1		32018-
13-16	PF1C010-4246-0	VALVE, CHECK FUEL	1		
13-17	K3182003500	HOSE, FUEL 4*1B350	1		
13-18	PF1J331-4301-2	FILTER ASSY, FUEL	1		
13-19	PF1J521-43172	FILTER CARTRIDGE	1		
13-20	K0000080252	BOLT, M8-25	3		
13-21	K0200080002	WASHER, SPRING M8	3		
13-22	K5000080002	WASHER, M8	4		
13-23	PF17105-3668-2	PACKING	4		
13-24	PF15401-9569-3	JOINT, PIPE	2		
13-25	PF16541-9579-1	BOLT, COUPLING	2		
13-26	K4241000150	MOUNT, TIE CLB8-SB10	1		
13-27	K0100080002	NUT, M8	1		
13-28	K4241000130	BAND, PLASTIC TRCV-450W	1		

14. Engine section A

LM551B

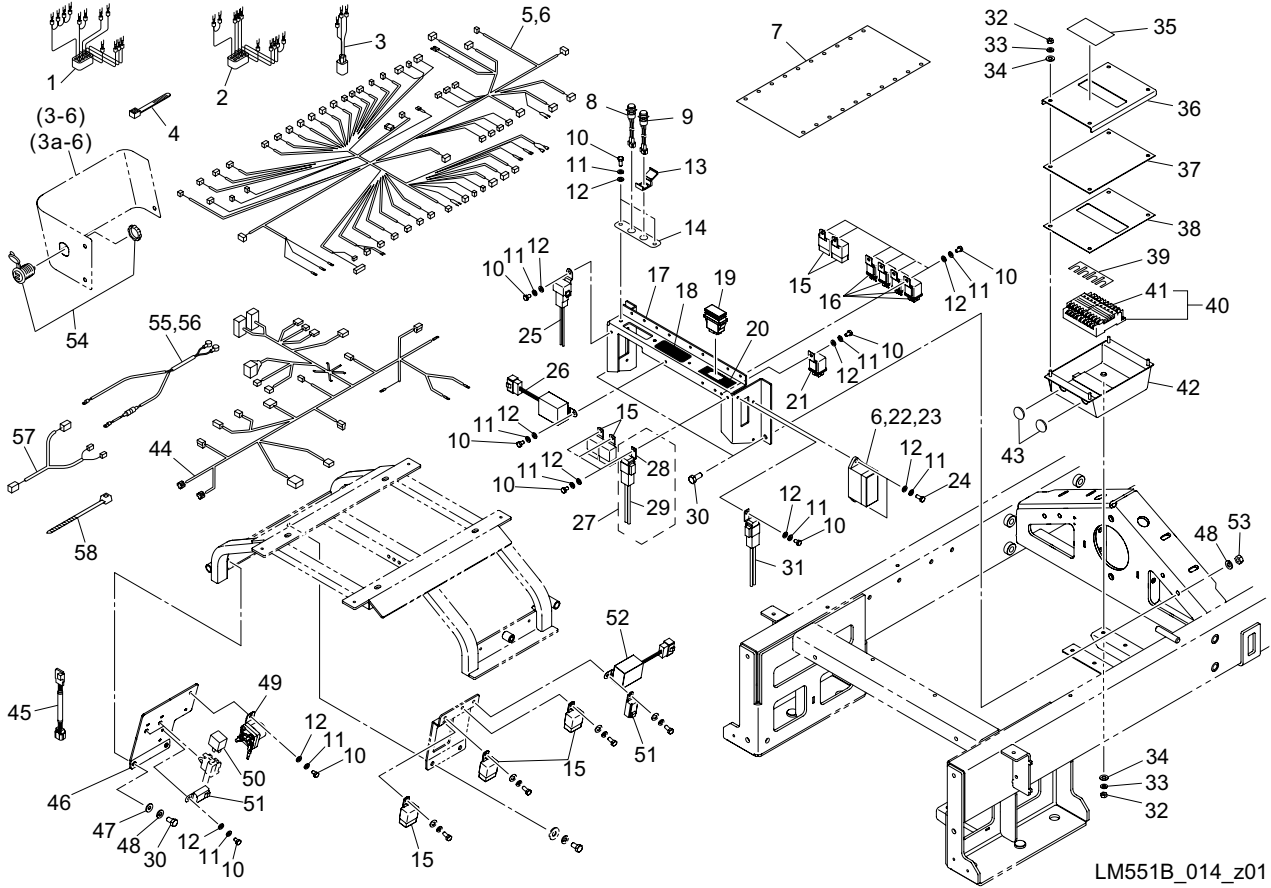


LM551B_014_z01

Cat No.	Code No.	Part name	Qty	Remark	SN of application
14-1	LM551--0524Z0	WIRE, RELAY (LH)	1		
14-2	LM551--0525Z0	WIRE, RELAY (RH)	1		
14-3	LM551B-0522Z0	WIRE, RELAY L2	1		
14-4	K4241000160	BAND, PLASTIC T50L-DH-HSB	2		
14-5	LM551B-0550Z0	HARNESS, MAIN	1		30001-32154
14a-5	LM551B-0562Z0	HARNESS, MAIN	1		32155-
14-6	K3631000110	FUSE, MINI BLADE 15A	1-3		
14-7	K4243700650	TUBE, SNAP KST-70R-650	1		
14-8	K3661000150	SWITCH, PUSH BUTTON ROUND GREEN	1		30001-32132
14a-8	K3661000260	SWITCH, PUSH BUTTON ROUND GREEN	1		32133-
14-9	K3661000140	SWITCH, PUSH BUTTON ROUND	1		30001-32132
14a-9	K3661000270	SWITCH, PUSH BUTTON ROUND	1		32133-
14-10	K0000060102	BOLT, M6-10	21		
14-11	K0200060002	WASHER, SPRING M6	23		
14-12	K5000060002	WASHER, M6	23		
14-13	K3661000160	GUARD, SWITCH	1		
14-14	LM551--0585ZD	PLATE, MOUNTING SWITCH	1		
14-15	K3681000010	RELAY, CA1-DC12V-N	7		
14-16	K3681000070	RELAY, MR5A411A1K	4		
14-17	LM551--0528AD	BRACKET, RELAY	1		
14-18	LM551--0586Z0	DECAL, DPF SWITCH	1		
14-19	K3661000070	SWITCH, ROCKER RED	1		
14-20	K4203001590	DECAL, LAPPING	1		
14-21	K3681000080	RELAY, MR5A602A1K	1		
14-22	K3630000090	FUSE BLOCK, MINI 10P-A	1		
14-23	K3631000070	FUSE, MINI BLADE 5A	1-7		
14-24	K0000060152	BOLT, M6-15	2		
14-25	K3630000160	FUSE BLOCK, FUSIBLE LINK 30A	1		
14-26	K3683000010	TIMER, OFF DELAY 0.9S	1		
14-27	K3630000220	FUSE BLOCK, FUSIBLE LINK 80A	1		

14. Engine section A

LM551B

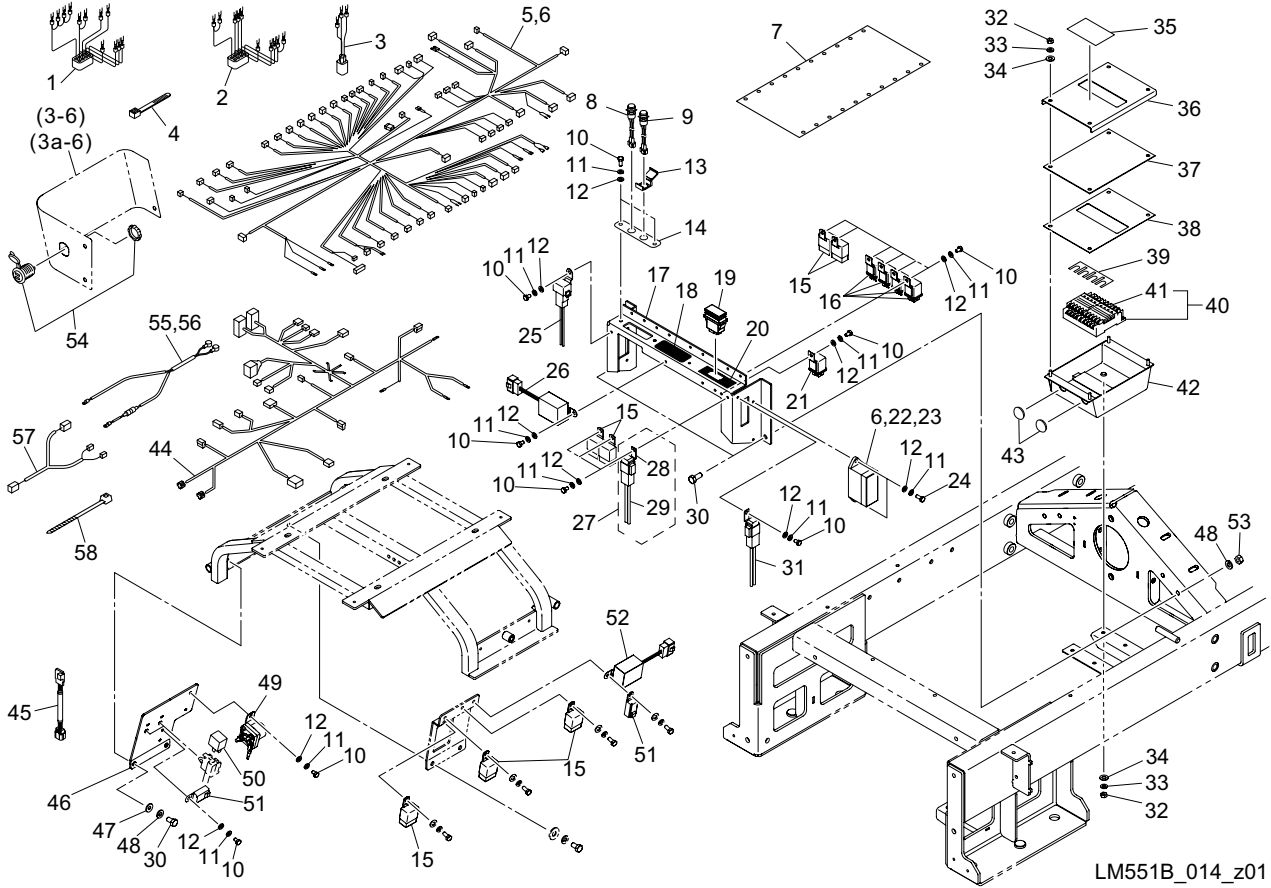


LM551B_014_z01

Cat No.	Code No.	Part name	Qty	Remark	SN of application
14-28	K3630000210	FUSE BLOCK, FUSIBLE LINK 80A	1		
14-29	K5270002552	BRACKET	1		
14-30	K0000080202	BOLT, M8-20	4		
14-31	K3630000150	FUSE BLOCK, FUSIBLE LINK 50A	1		
14-32	K0100050002	NUT, M5	8		
14-33	K0200050002	WASHER, SPRING M5	8		
14-34	K5000050002	WASHER, M5	8		
14-35	LM551B-0525Z0	DECAL, RELAY (E5)	1		
14-36	GM2800-0519ZD	COVER, BOX	1		
14-37	GM2800-0518Z0	BOARD, ACRYLIC M 1.5-134189	1		
14-38	GM2800-0517Z0	PACKING, RUBBER 1-134189	1		
14-39	K3680000040	SHORTING BAR, RELAY G6B-4CB	1		
14-40	K3680000030	RELAY BOX, G6B-4CB	2		
14-41	G6B2114P-US-P6B	RELAY, FOR TERMINAL G6B-4CB	1-8		
14-42	GM2800-0570AD	BOX, RELAY	1		
14-43	K0900300200	GROMMET, W/SEALING C30SG20A	2		
14-44	LM551B-0560Z0	HARNESS, INTERMEDIATE	1		30001-30353
14a-44	LM551B-0560A0	HARNESS, INTERMEDIATE	1		30354-
14-45	K3690000180	CONTROLLER COMP, INITIAL RESET H	1		
14-46	LM551B-0603ZD	PLATE, MOUNTING HEATER RELAY	1		
14-47	K5000080002	WASHER, M8	2		30001-30575
14a-47	K5012308182	WASHER, SPCC 2.3-8-18	2		30576-
14-48	K0200080002	WASHER, SPRING M8	4		
14-49	PF3N300-7521-3	RELAY, HEATER	1		
14-50	PF1J423-6023-3	RELAY, STARTER 12V	2		
14-51	K3681000060	RELAY, CA1aF-12V-N-5	2		30001-30136
14a-51	K3681000090	RELAY, ACA12135	2		30137-
14-52	K3684000010	TIMER, ON DELAY 0.6S	1		
14-53	K0100080002	NUT, M8	2		
14-54	K3613000050	SOCKET, 2-INLET FOR USB CHARGER	1		30001-30249

14. Engine section A

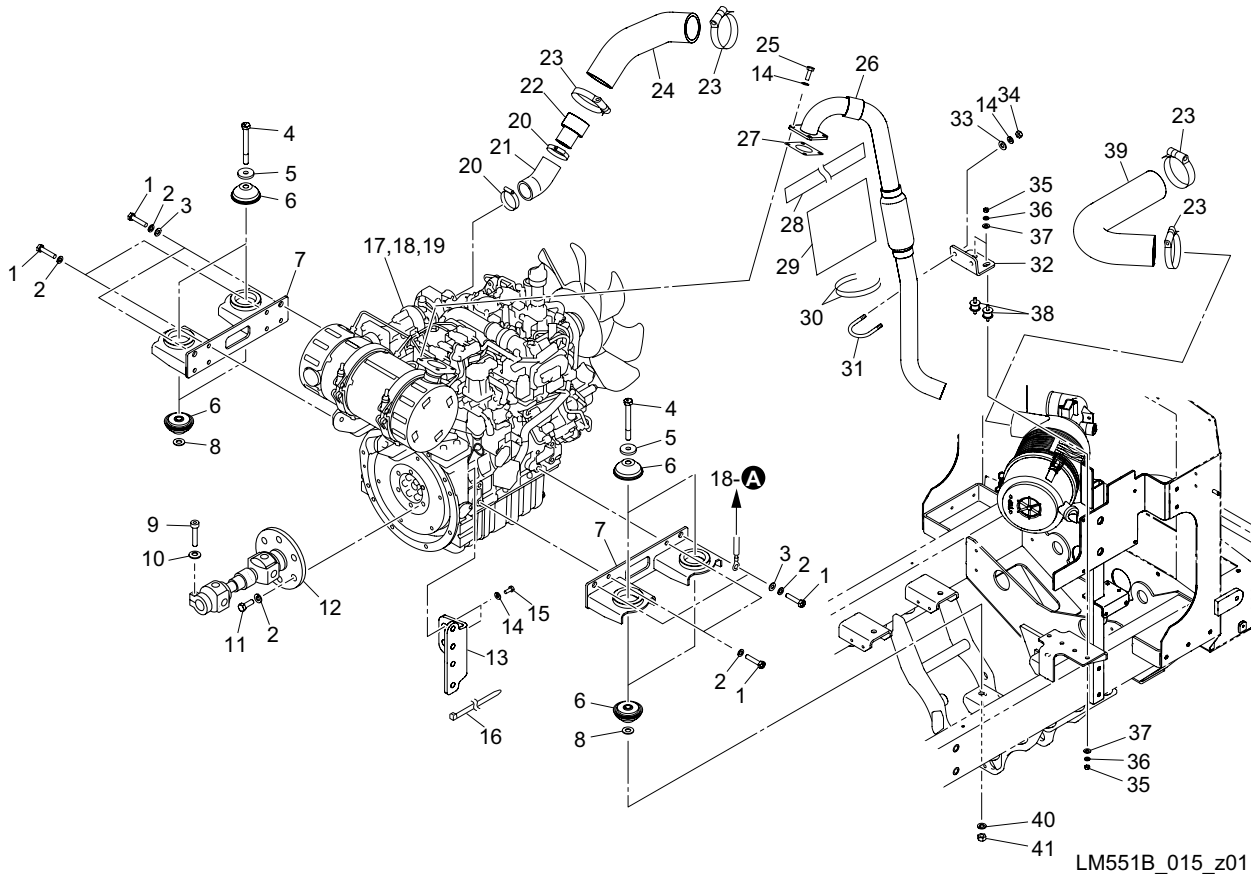
LM551B



Cat No.	Code No.	Part name	Qty	Remark	SN of application
14a-54	K3613000060	SOCKET, 2-INLET FOR USB CHARGER	1		30250-
14-55	LM551B-0561Z0	LINE, HEATER RELAY	1		
14-56	K3631000240	FUSE, MIDI 125A	1		
14-57	LM551--4502Z0	HARNESS, USB CHARGER	1		
14-58	K4241000040	BAND, PLASTIC TRCV-200W	5		

15. Engine section B

LM551B

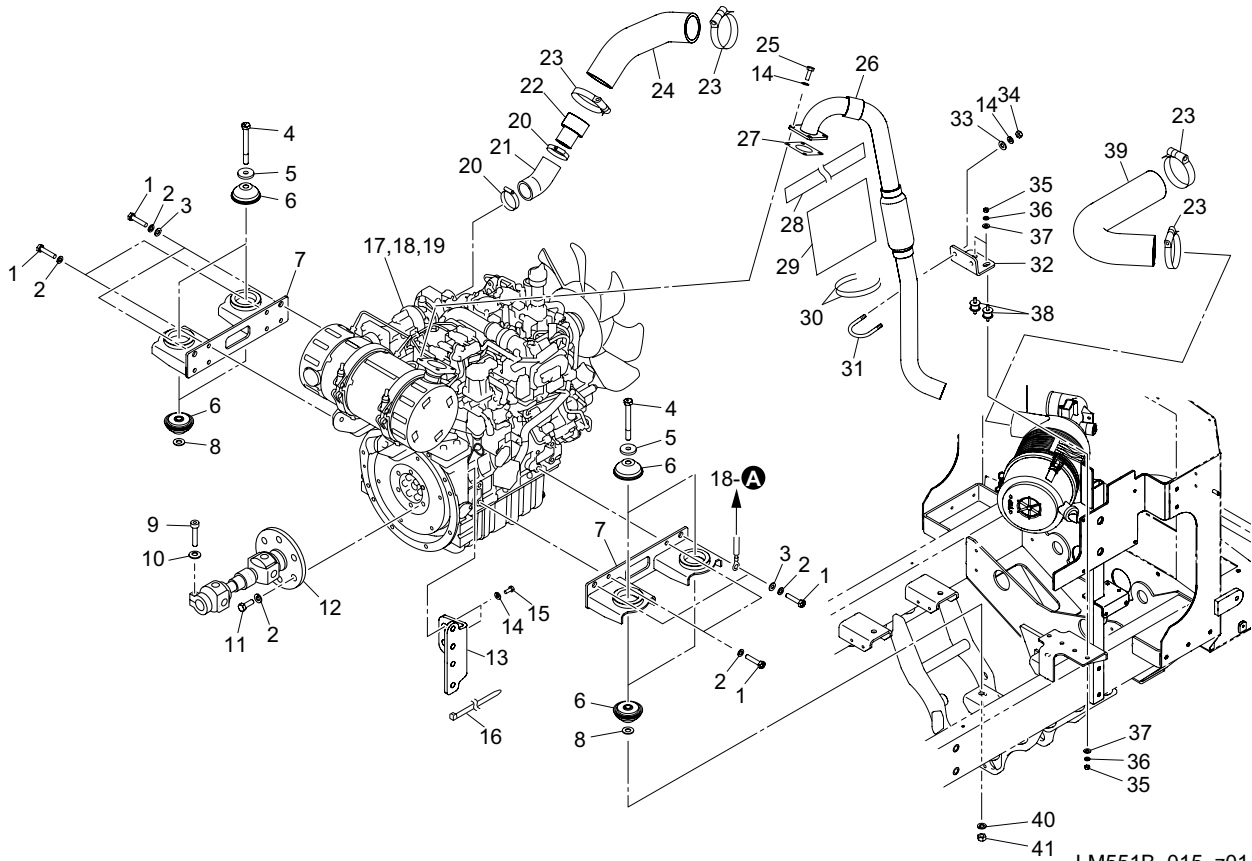


LM551B_015_z01

Cat No.	Code No.	Part name	Qty	Remark	SN of application
15-1	K0017100252	BOLT, SMALL HT P1.25 M10-25	16		
15-2	K0200100002	WASHER, SPRING M10	22		
15-3	K5000100002	WASHER, M10	4		
15-4	K0010121201	BOLT, HT M12-120	4		
15-5	K5076012402	WASHER, SPHC 6-12-40	4		
15-6	K4042000100	RUBBER, ISOLATOR TO MOUNT ENGINE	8		
15-7	LM551--0504ZD	BRACKET, ENGINE	2		
15-8	K5011613402	WASHER, SPCC 1.6-13-40	8	for adjustment	
15-9	K001A100401	BOLT, 13T W/HEX HOLE M10-40	1		
15-10	K0215100002	WASHER, DISK SPRING 2H M10	1		
15-11	K0011100252	BOLT, HT P1.25 M10-25	6		
15-12	K1620000250	JOINT ASSY, UNIVERSAL	1		
15-13	LM551B-0520ZD	FIXTURE, HARNESS	1		
15-14	K0200080002	WASHER, SPRING M8	8		
15-15	K0000080152	BOLT, M8-15	2		
15-16	K4241000040	BAND, PLASTIC TRCV-200W	2		
15-17	K2691000480	ENGINE, KUBOTA V1505-CR-TE5-LMKY-1	1		30001-32000
15a-17	K2691000540	ENGINE, KUBOTA V1505-CR-TE5-LMKY-2	1		32001-
15-18	PF16282-9701-3	FAN BELT	1		
15-19	PF16271-3209-3	OIL ELEMENT	1		
15-20	K4260000200	CLAMP, HOSE JUBILEE BAND 2A	2		
15-21	LM551--0515Z0	HOSE, AIR CLEANER A	1		
15-22	LM551B-0509Z2	METAL AIR PIPE (E5)	1		
15-23	K4261044000	CLAMP, HOSE PARKER 29-76	4		
15-24	LM551B-0508Z0	HOSE, AIR CLEANER B (E5)	1		
15-25	K0000080202	BOLT, M8-20	4		
15-26	LM551B-0503ZU	PIPE, TAIL (E5)	1		
15-27	PFT0070-1642-0	GASKET, MUFFLER	1		
15-28	K4230000040	PLATE, GLASS-FABRICS 1.6-30-1000	1		
15-29	K4230000190	PLATE, GLASS-FABRICS 1.6-210-270	1		30001-30566

15. Engine section B

LM551B

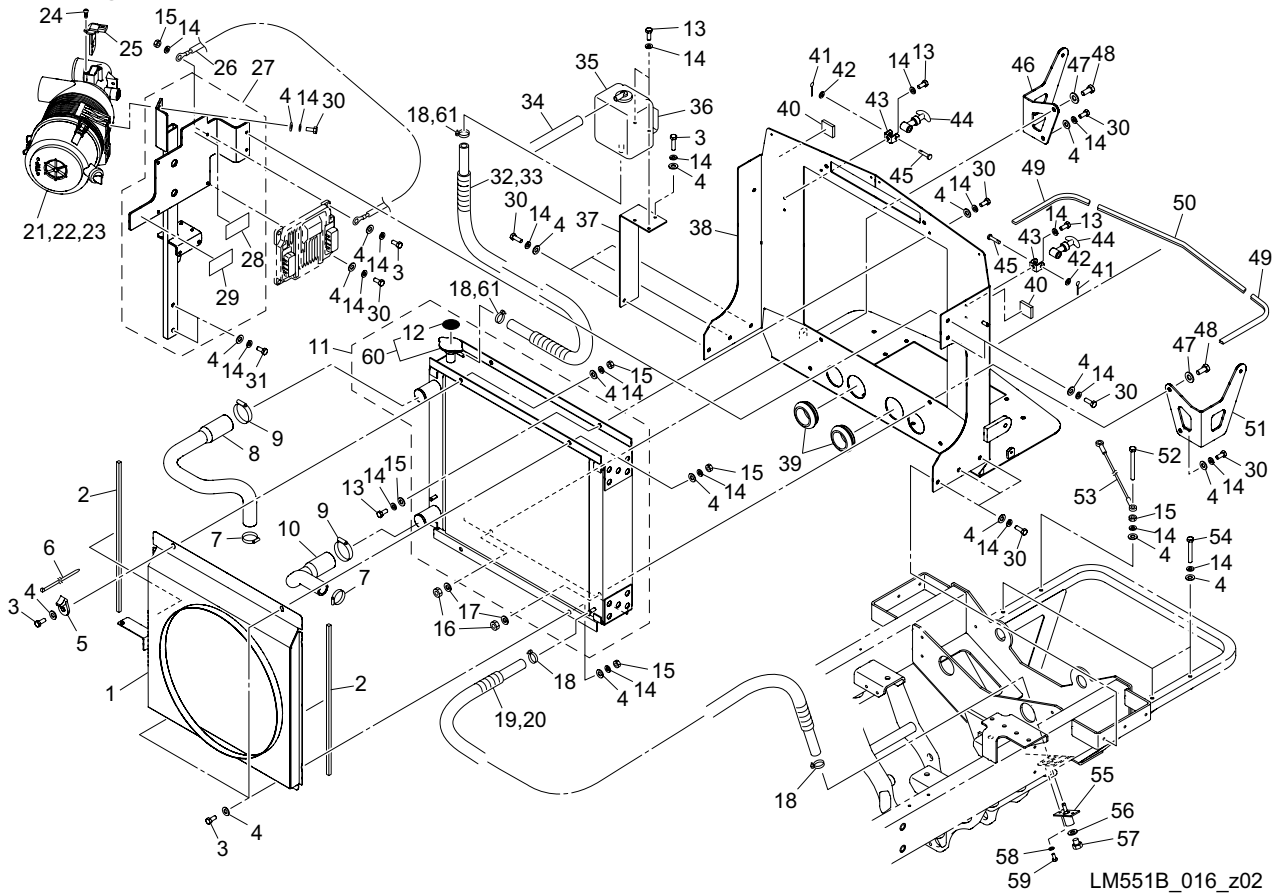


LM551B_015_z01

Cat No.	Code No.	Part name	Qty	Remark	SN of application
15a-29	K4230000210	PLATE, GLASS-FABRICS 1.6-270-270	1		30567-
15-30	K4980001000	WIRE, SUS 1.2-100	2		30001-30566
15a-30	K4980002500	WIRE, SUS 1.2-250	2		30567-
15-31	K0073000052	BOLT, W/F-RING M8-40A	1		
15-32	LM551B-0502ZU	PLATE, FIXING TAIL PIPE (E5)	1		
15-33	K5000080002	WASHER, M8	2		
15-34	K0100080002	NUT, M8	2		
15-35	K0100060002	NUT, M6	4		
15-36	K0200060002	WASHER, SPRING M6	4		
15-37	K5011606202	WASHER, SPCC 1.6-6-20	4		
15-38	K4042000120	RUBBER, ANTI VIBRATION KA25	2		
15-39	LM551B-0507Z0	HOSE, AIR CLEANER A (E5)	1		
15-40	K0200120002	WASHER, SPRING M12	4		
15-41	K0100120002	NUT, M12	4		

16. Engine section C

LM551B

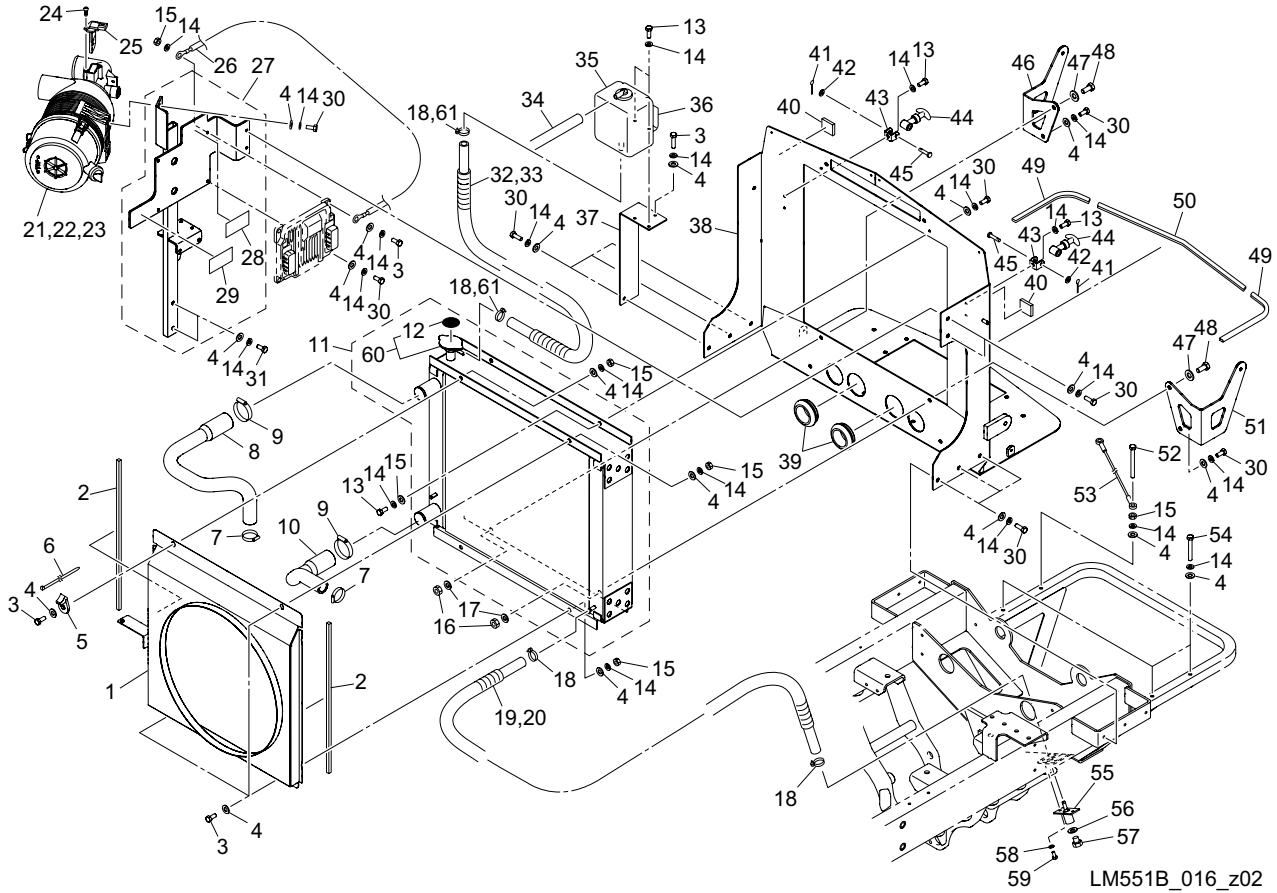


LM551B_016_z02

Cat No.	Code No.	Part name	Qty	Remark	SN of application
16-1	LM551B-0510ZD	SHROUD	1		
16-2	K4220000230	SPONGE, URETHAN 10-10-500	2		
16-3	K0000080252	BOLT, M8-25	7		
16-4	K5000080002	WASHER, M8	33		
16-5	K4241000150	MOUNT, TIE CLB8-SB10	1		
16-6	K4241000040	BAND, PLASTIC TRCV-200W	1		
16-7	K4260000190	CLAMP, HOSE JUBILEE BAND 1	2		
16-8	LM551B-0504Z0	HOSE, WATER A	1		
16-9	K4260000200	CLAMP, HOSE JUBILEE BAND 2A	2		
16-10	LM551B-0505Z0	HOSE, WATER B	1		
16-11	GM2800-0569A0	RADIATOR COMP	1		
16-12	K4205001970	DECAL, CAUTION SPOUTING COOLANT	1		
16-13	K0000080152	BOLT, M8-15	6		
16-14	K0200080002	WASHER, SPRING M8	34		
16-15	K0100080002	NUT, M8	6		
16-16	K0100100002	NUT, M10	2		
16-17	K0200100002	WASHER, SPRING M10	2		
16-18	K4260000150	CLAMP, HOSE 12	4		30175-30420
16a-18	K4260000150	CLAMP, HOSE 12	2		30421-
16-19	K3174004000	HOSE, DRAIN 8-400	1		
16-20	K3196003000	TUBE, CORRUGATED 13-300	1		
16-21	PF1K993-1101-2	CLEANER ASSY, AIR	1		
16-22	PFR1401-4227-0	ELEMENT, OUTER	1		
16-23	PF1J461-11220	ELEMENT, INNER	1		
16-24	PF03054-50412	SCREW, ROUND HEAD	1		
16-25	PF1J520-1070-1	SENSOR	1		
16-26	LM551B-0526Z0	WIRE, EARTH EVC	1		
16-27	LM551B-0511B0	BASE COMP, AIR CLEANER	1		
16-28	K4205001530	DECAL, CAUTION ROTATING OBJECT	1		
16-29	K4205001540	DECAL, CAUTION HOT PARTS	1		

16. Engine section C

LM551B

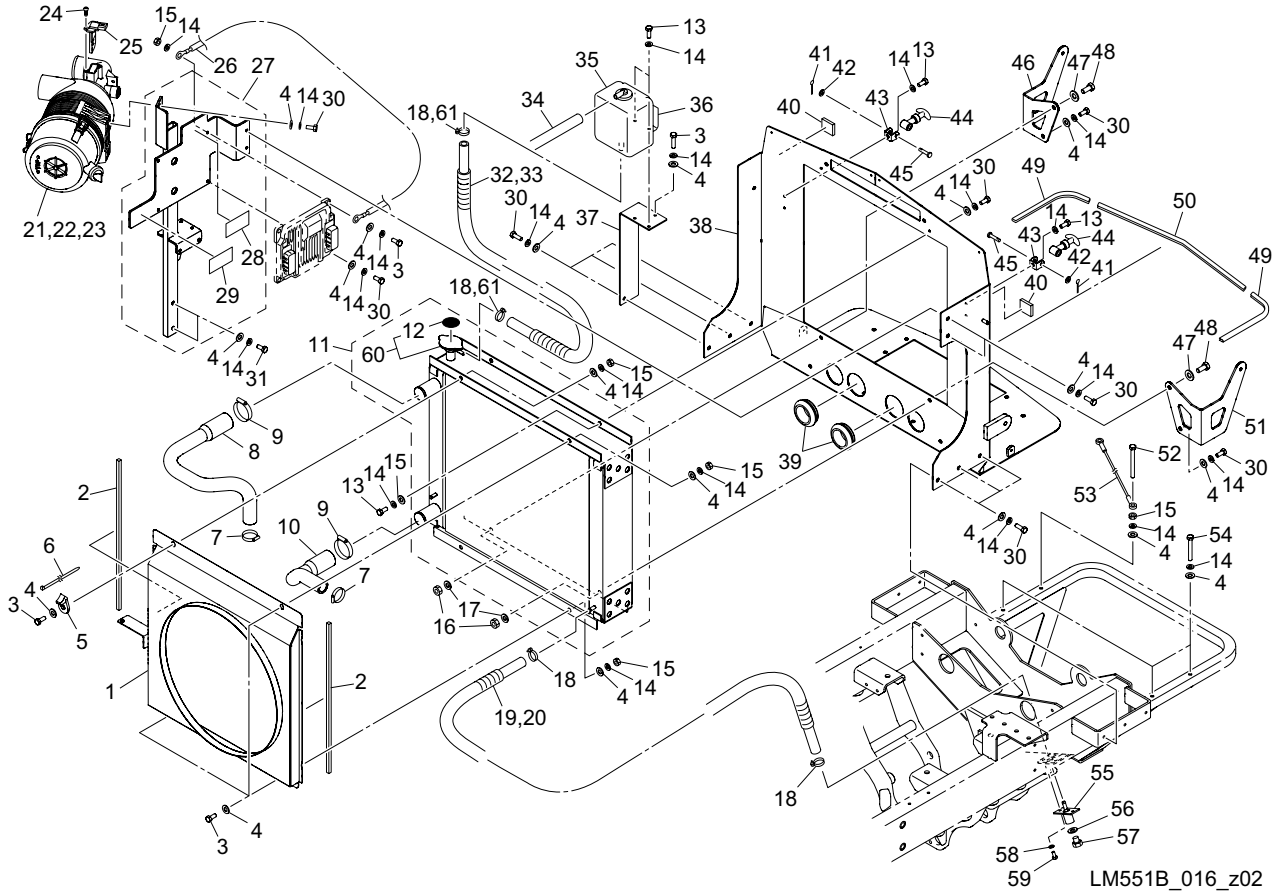


LM551B_016_z02

Cat No.	Code No.	Part name	Qty	Remark	SN of application
16-30	K0000080202	BOLT, M8-20	21		
16-31	K0000080302	BOLT, M8-30	2		
16-32	K3174008500	HOSE, DRAIN 8-850	1		
16-33	K3196007500	TUBE, CORRUGATED 13-750	1		
16-34	K3174006500	HOSE, DRAIN 8-650	1		
16-35	PF15501-7240-0	TANK ASSY, RESERVE	1		
16-36	PF15527-7246-0	STAY, RESERVE TANK	1		
16-37	LM551--0575ZD	PLATE, L SHAPED	1		
16-38	LM551B-0501ZD	BRACKET, RADIATOR	1		
16-39	K0900300660	GROMMET, W/SEALING C30SG30A	2		
16-40	K4033000430	RUBBER, PLATE 1-3045	2		
16-41	K0300016202	PIN, COTTER M1.6-20	2		
16-42	K5000060002	WASHER, M6	2		
16-43	K5200000102	CLAMPER, RUBBER HOOK	2		
16-44	K1520000090	HOOK, RUBBER SMALL	2		
16-45	K6030060352	PIN, FLAT HEAD M6-35	2		
16-46	LM551B-0514ZD	BRACKET, OILCOOLER FULCRUM (RH)	1		
16-47	K5000100002	WASHER, M10	2		
16-48	K0000100302	BOLT, M10-30	2		
16-49	K3197202500	TRIM, SEAL 100-32-250	2		
16-50	K3197205200	TRIM, SEAL 100-32-520	1		
16-51	LM551B-0513ZD	BRACKET, OILCOOLER FULCRUM (LH)	1		
16-52	K0000080702	BOLT, M8-70	1		
16-53	K1170028000	CABLE, 280	1		
16-54	K0000080502	BOLT, M8-50	3		
16-55	LM2700-0561Z2	JOINT, TER39280AB	1		
16-56	LM2700-0562Z0	PACKING, 995714120	1		
16-57	LM2700-0563Z0	PLUG, DRAIN	1		
16-58	K0200060002	WASHER, SPRING M6	2		
16-59	K0000060152	BOLT, M6-15	2		

16. Engine section C

LM551B

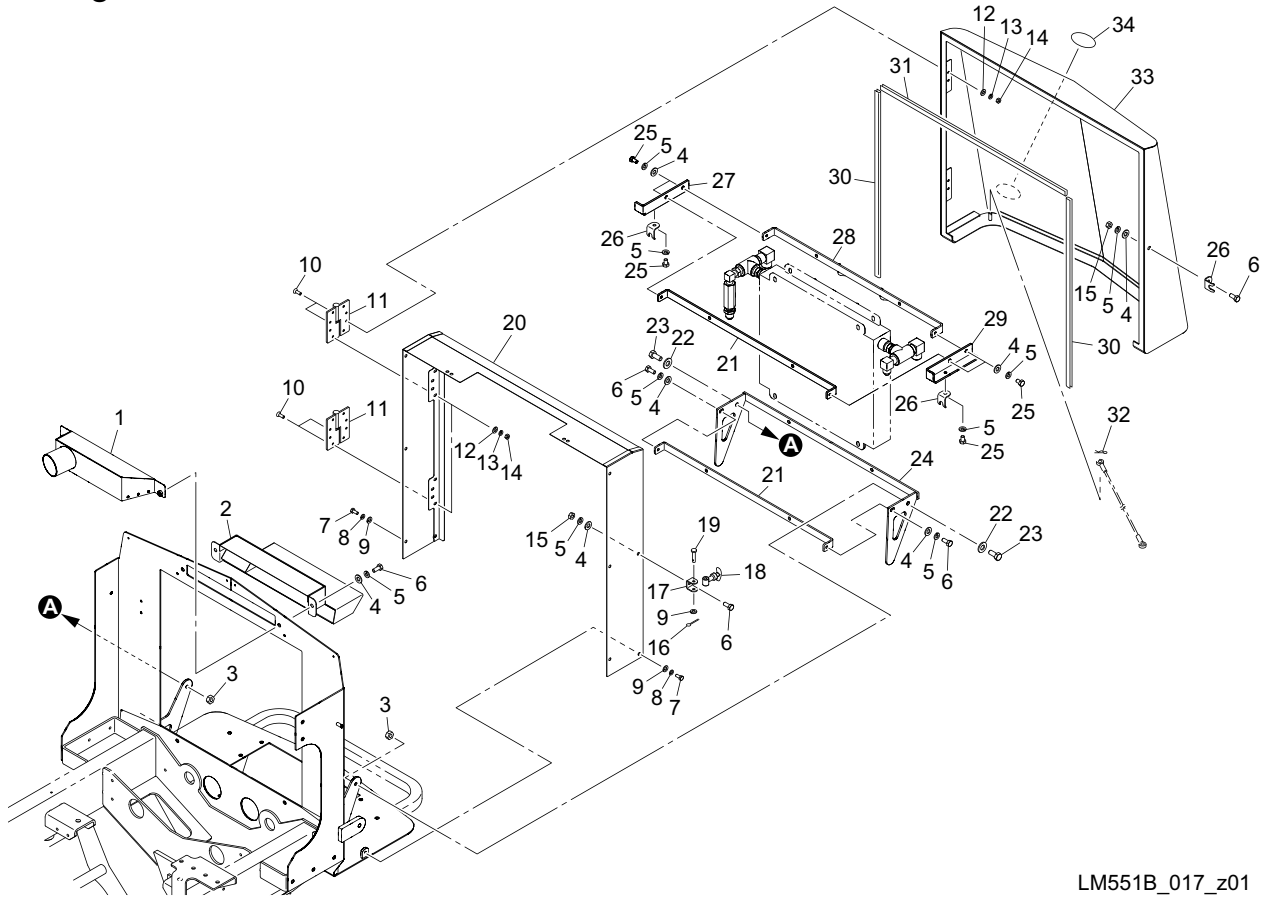


LM551B_016_z02

Cat No.	Code No.	Part name	Qty	Remark	SN of application
16-60	XPGM2800-0565Z0	CAP COMP, RADIATOR 90 KPA	1		
16-61	PF15501-72470	CLIP	2		30421-

17. Engine section D

LM551B

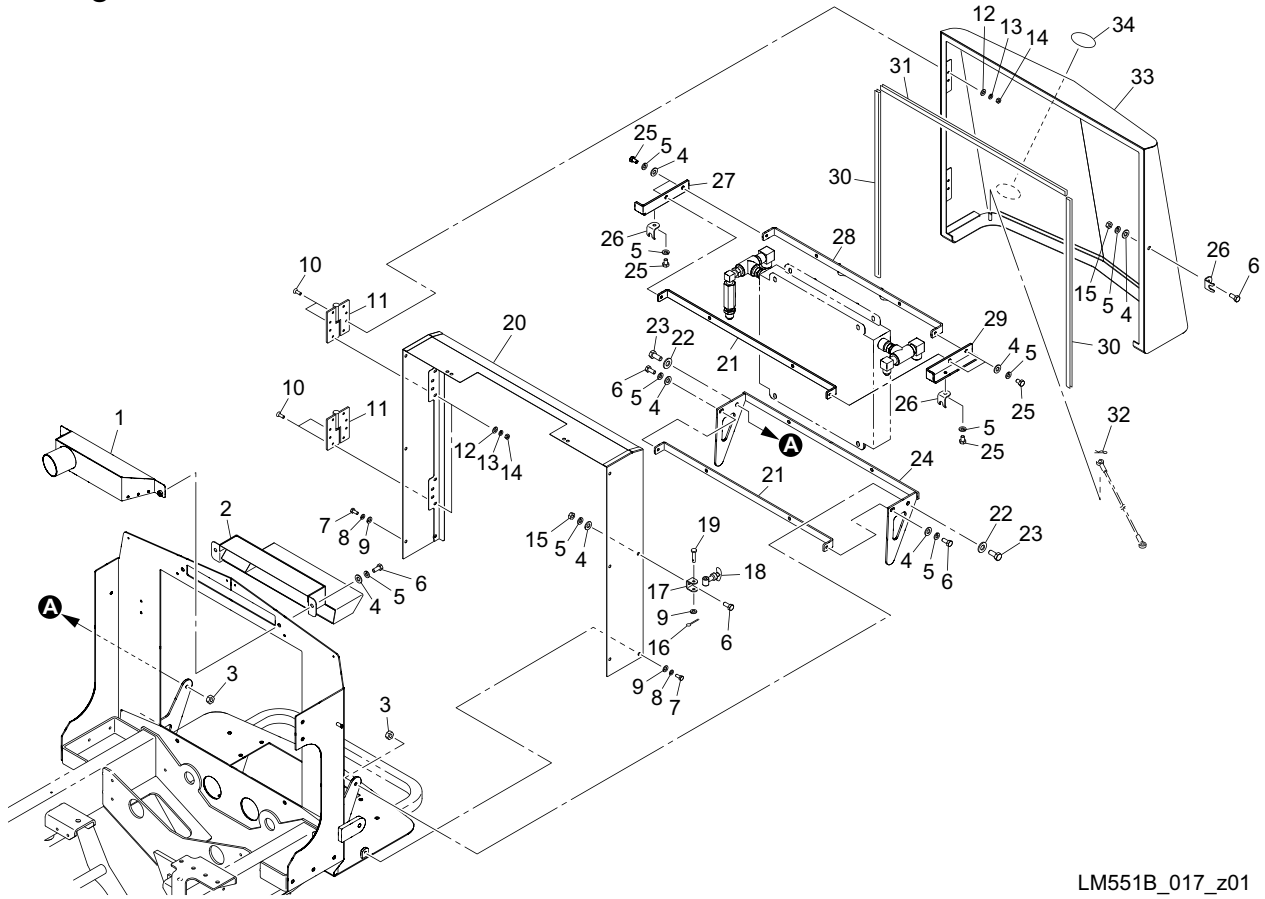


LM551B_017_z01

Cat No.	Code No.	Part name	Qty	Remark	SN of application
17-1	LM551B-0506ZD	METAL, AIR INLET (E5)	1		
17-2	LM551--0550AD	METAL, INLET	1		
17-3	K0144100002	NUT, W/F-RING M10	2		
17-4	K5000080002	WASHER, M8	10		
17-5	K0200080002	WASHER, SPRING M8	12		
17-6	K0000080202	BOLT, M8-20	12		
17-7	K0000060102	BOLT, M6-10	10		
17-8	K0200060002	WASHER, SPRING M6	10		
17-9	K5000060002	WASHER, M6	11		
17-10	K0041050162	SCREW, + FLAT HEAD M5-16	16		
17-11	K4521000040	HINGE, B-67-1-L	2		
17-12	K5000050002	WASHER, M5	16		
17-13	K0200050002	WASHER, SPRING M5	16		
17-14	K0100050002	NUT, M5	16		
17-15	K0100080002	NUT, M8	2		
17-16	K0300016202	PIN, COTTER M1.6-20	1		
17-17	K5200000102	CLAMPER, RUBBER HOOK	1		
17-18	K1520000090	HOOK, RUBBER SMALL	1		
17-19	K6030060352	PIN, FLAT HEAD M6-35	1		
17-20	LM551--0549AD	SPACER, COVER	1		
17-21	LM551B-0516ZD	BRACKET, OILCOOLER	2		
17-22	K5000100002	WASHER, M10	2		
17-23	K0000100252	BOLT, M10-25	2		
17-24	LM551B-0519ZD	BRACKET, OILCOOLER REAR (LOWER)	1		
17-25	K0000080152	BOLT, M8-15	6		
17-26	K5270002352	RECEIVER, RUBBER HOOK	3		
17-27	LM551B-0518AD	PLATE, SECURING OIL COOLER (RH)	1		
17-28	LM551B-0515ZD	BRACKET, OILCOOLER REAR (UPPER)	1		
17-29	LM551B-0517AD	PLATE, SECURING OIL COOLER (LH)	1		
17-30	K3198507200	TRIM, SEAL 4100-16A-720	2		

17. Engine section D

LM551B

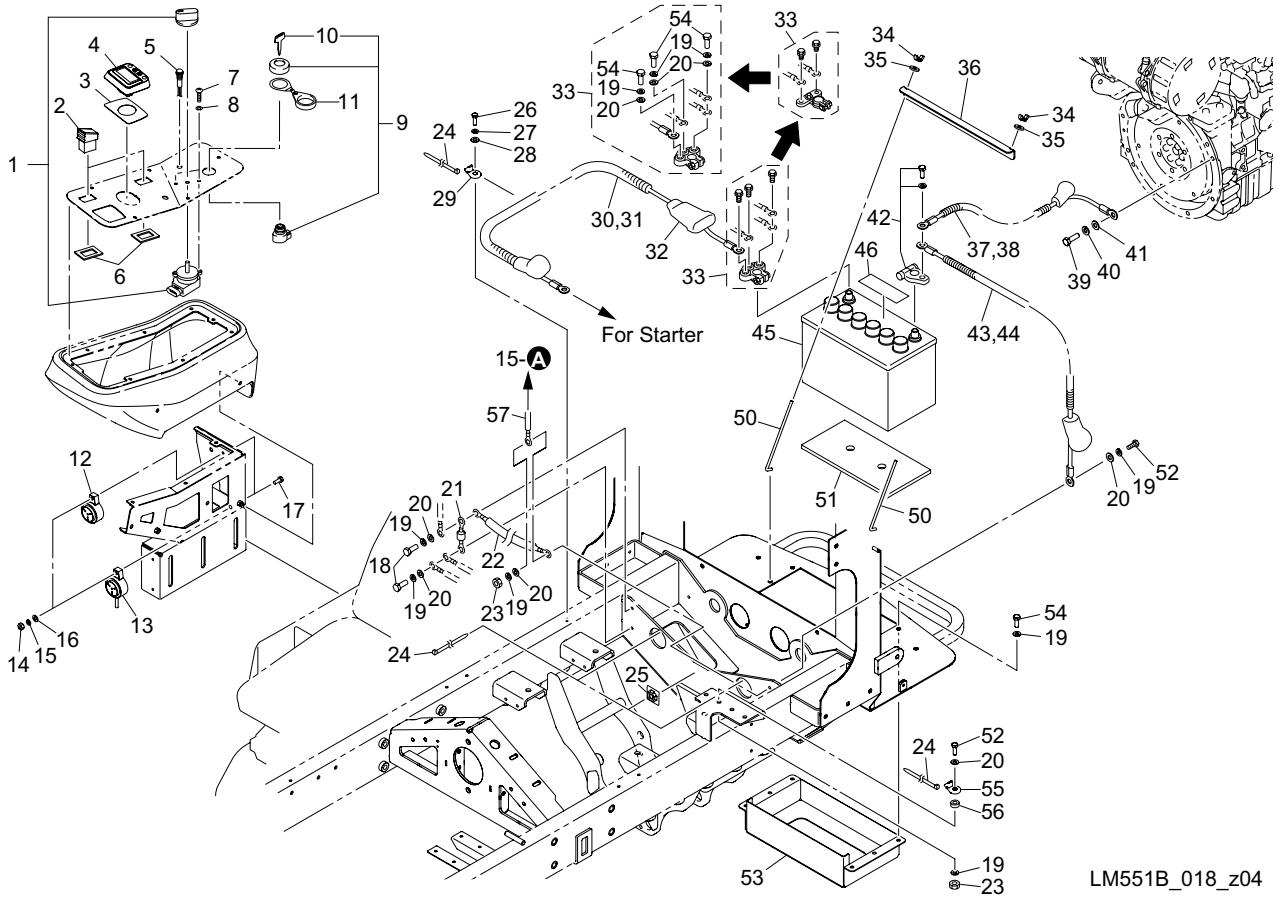


LM551B_017_z01

Cat No.	Code No.	Part name	Qty	Remark	SN of application
17-31	K3198506200	TRIM, SEAL 4100-16A-620	1		
17-32	K0330800008	PIN, SNAP M8	1		
17-33	LM551--0506AD	COVER, RADIATOR	1		
17-34	LM551B-0905Z0	DECAL, LM551B	1		

18. Engine section E

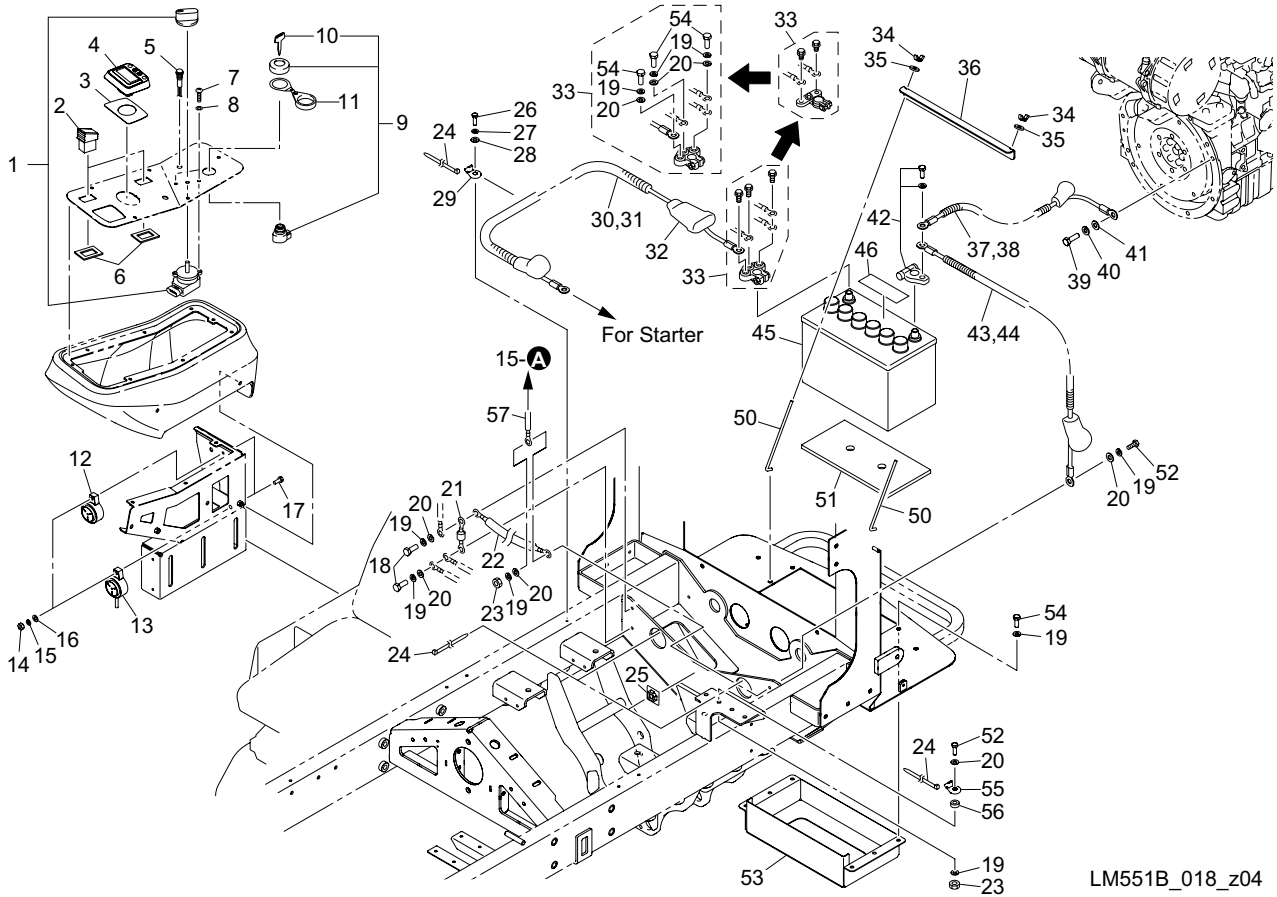
LM551B



Cat No.	Code No.	Part name	Qty	Remark	SN of application
18-1	K3691000020	POTENTIOMETER, WCS-403571	1		
18-2	K3661000050	SWITCH, ROCKER	2		
18-3	K4033000650	RUBBER, FOR DISPLAY	1		30001-30393
18a-3	K4033000670	RUBBER, FOR DISPLAY	1		30394-
18-4	LM551B-0592Z0	DISPLAY, PV101-C	1		30001-30047
18a-4	LM551B-1101Z0	DISPLAY, PV101-C_Gr1	1		30048-30393
18c-4	K3655000090	DISPLAY COMP, PV380-R3	1		30394-
18-5	K3641000080	LAMP, WORKING LED GREEN	1		
18-6	LM331--0557Z2	SPACER, FOR FIXING SWITCH	2		
18-7	K0042050152	SCREW, + ROUND HEAD M5-15	2		
18-8	K0200050002	WASHER, SPRING M5	2		
18-9	PF15248-6359-0	SWITCH ASSY, STARTER	1		
18-10	PF15248-6370-0	KEY, STARTER	1		
18-11	PF54611-4112-0	CAP, STARTER SWITCH	1		
18-12	K3700000010	BUZZER, EBM-12 TYPE	1		
18-13	K3700000030	BUZZER, EBS-12 W/STAY	1		
18-14	K0100050002	NUT, M5	2		
18-15	K0200050002	WASHER, SPRING M5	2		
18-16	K5000050002	WASHER, M5	2		
18-17	K0000050252	BOLT, M5-25	2		
18-18	K0000080152	BOLT, M8-15	2		
18-19	K0200080002	WASHER, SPRING M8	9		30001-32145
18a-19	K0200080002	WASHER, SPRING M8	12		32146-
18-20	K5000080002	WASHER, M8	5		30001-32145
18a-20	K5000080002	WASHER, M8	8		32146-
18-21	LM551B-0524Z0	WIRE, TO EARTH 60	1		
18-22	LM551B-0523Z0	WIRE, TO EARTH 500	1		
18-23	K0100080002	NUT, M8	2		
18-24	K4241000040	BAND, PLASTIC TRCV-200W	5		
18-25	K4251000030	FITTING, NYRON SGABM25-AV	1		

18. Engine section E

LM551B

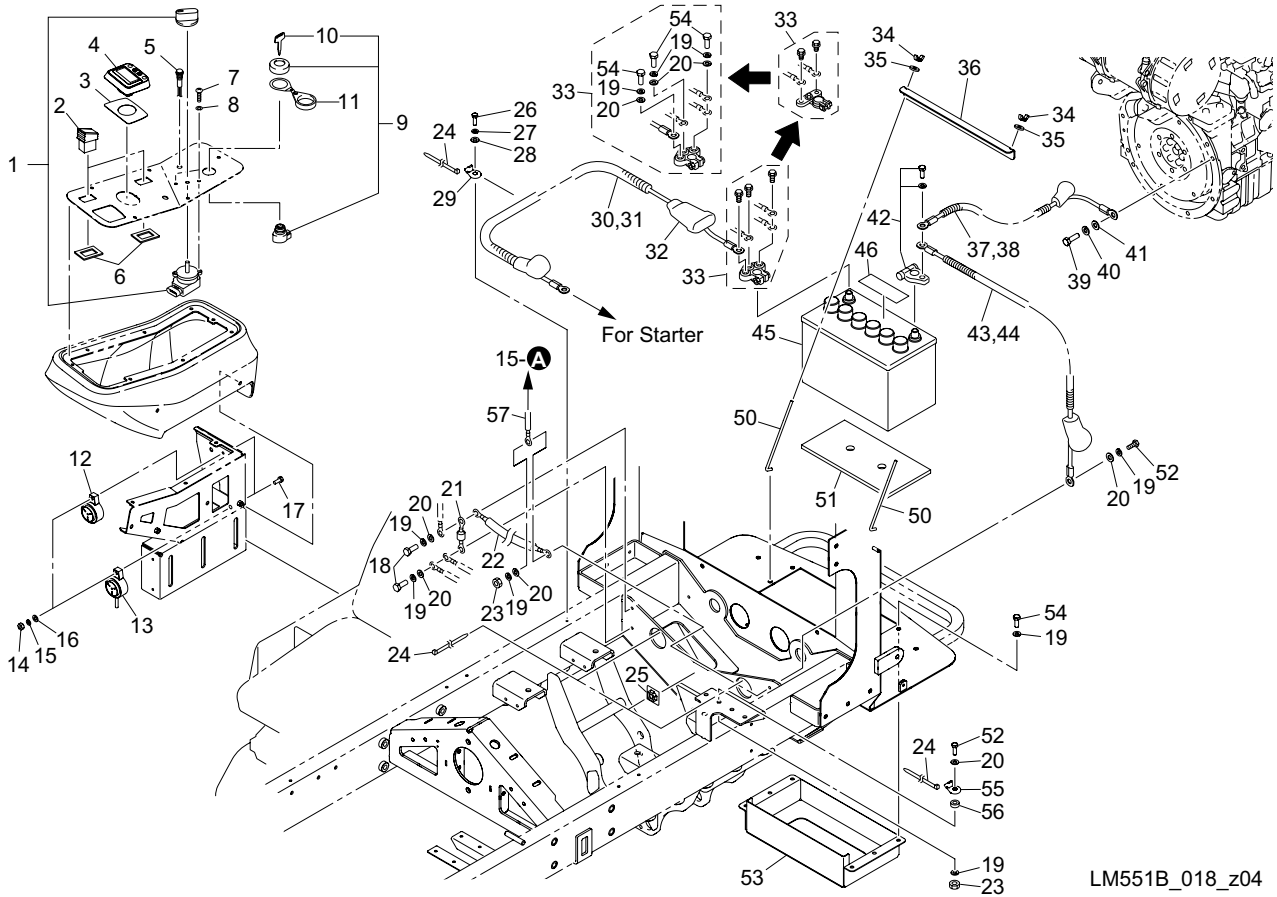


LM551B_018_z04

Cat No.	Code No.	Part name	Qty	Remark	SN of application
18-26	K0000060152	BOLT, M6-15	1		
18-27	K0200060002	WASHER, SPRING M6	1		
18-28	K5000060002	WASHER, M6	1		
18-29	K4241000140	BAND, PLASTIC TIE MOUNT CL8-SB8	1		
18-30	K3610000660	WIRE, BATTERY (+) 1190	1		30001-32075
18a-30	K3610000970	WIRE, BATTERY (+) 1190	1		32076-
18-31	K3196010600	TUBE, CORRUGATED 13-1060	1		
18-32	K3614000010	COVER, BATTERY TERMINAL MULTI TYPE	1		
18-33	K3612000120	TERMINAL, BATTERY MULTI TYPE	1		30001-30406
18a-33	K3612000140	TERMINAL, BATTERY MULTI TYPE	1		30407-32145
18b-33	K3612000200	TERMINAL, BATTERY MULTI TYPE(+)	1		32146-
18-34	K0141060002	NUT, WING M6-3	2		
18-35	K5012306162	WASHER, SPCC 2.3-6-16	2		
18-36	LM551--0554ZD	CLAMPER, BATTERY	1		
18-37	K3611000540	WIRE, TO EARTH 1360	1		
18-38	K3195007000	TUBE, CORRUGATED 15-700	1		
18-39	K0001100202	BOLT, P1.25 M10-20	1		
18-40	K0200100002	WASHER, SPRING M10	1		
18-41	K5000100002	WASHER, M10	1		
18-42	K3612000080	TERMINAL, BATTERY (-) 4013-D-8-2	1		
18-43	K3611000530	WIRE, TO EARTH 800	1		30001-32075
18a-43	K3611000870	WIRE, TO EARTH 800	1		32076-
18-44	K3196012600	TUBE, CORRUGATED 13-1260	1		
18-45	K3600000280	BATTERY, FX105D31L	1		
18-46	K4205001880	DECAL, CAUTION P/D-4	1		
18-47					
18-48					
18-49					
18-50	LM551--0568Z2	ROD, W/M6	2		
18-51	K4035000140	RUBBER, ISOLATOR FOR BATTERY	1		

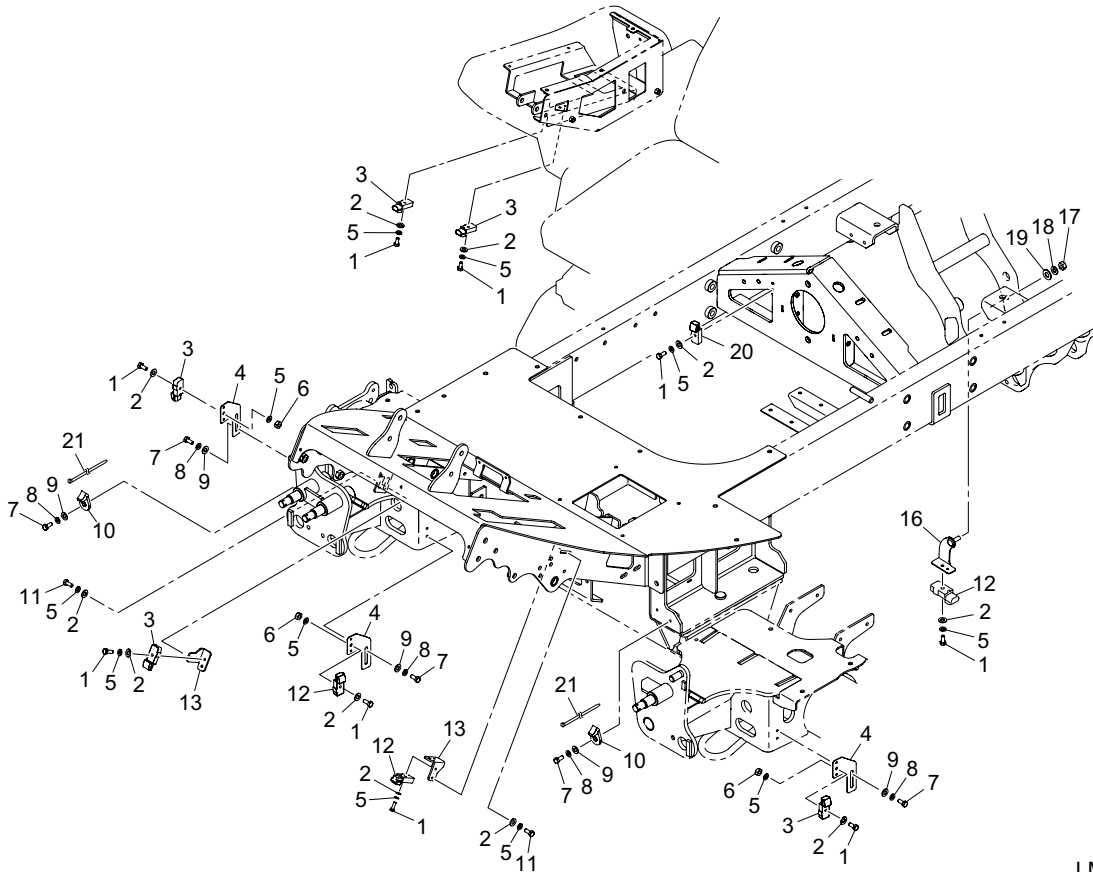
18. Engine section E

LM551B



LM551B_018_z04

Cat No.	Code No.	Part name	Qty	Remark	SN of application
18-52	K0000080252	BOLT, M8-25	2		
18-53	LM551--0555ZD	CASE, BATTERY	1		
18-54	K0000080202	BOLT, M8-20	4		30001-32145
18a-54	K0000080202	BOLT, M8-20	7		32146-
18-55	K4241000150	MOUNT, TIE CLB8-SB10	1		
18-56	K6212003862	COLLAR, STKM M8.5-17-7	1		
18-57	K3611000570	WIRE, TO EARTH 260	1		

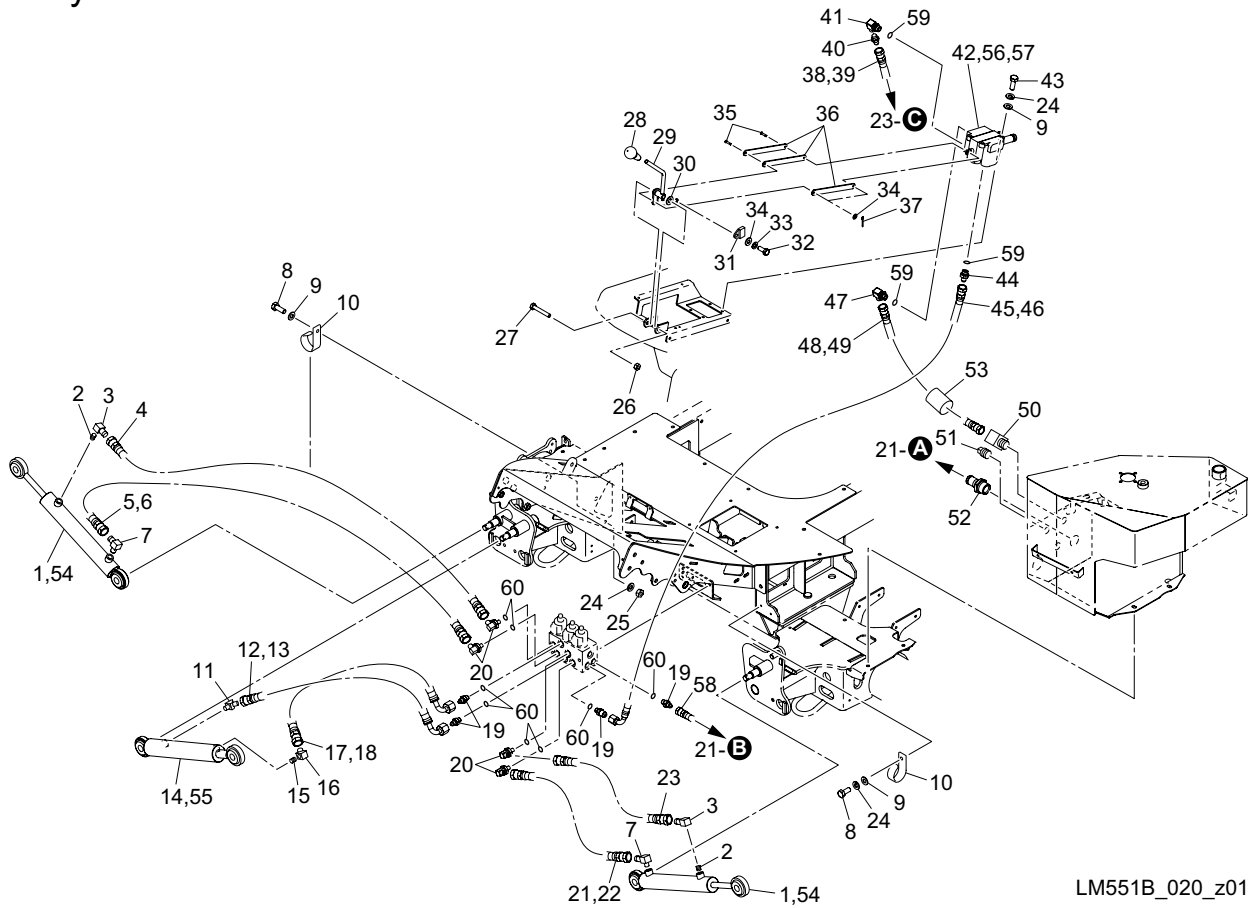


LM551B_019_z00

Cat No.	Code No.	Part name	Qty	Remark	SN of application
19-1	K0000050202	BOLT, M5-20	9		
19-2	K5000050002	WASHER, M5	13		
19-3	K3720000150	SWITCH, PROXIMITY NO V-in	5		
19-4	LM551--0532AD	BRACKET, RAISE/LOWER SENSOR	3		
19-5	K0200050002	WASHER, SPRING M5	13		
19-6	K0100050002	NUT, M5	3		
19-7	K0000060152	BOLT, M6-15	8		
19-8	K0200060002	WASHER, SPRING M6	8		
19-9	K5000060002	WASHER, M6	8		
19-10	K4241000140	BAND, PLASTIC TIE MOUNT CL8-SB8	2	#4,#5	
19-11	K0000050122	BOLT, M5-12	4		
19-12	K3720000170	SWITCH, PROXIMITY NC V-in	3		
19-13	LM551--0629Z2	PLATE, PARKING BRAKE SENSOR	2		
19-14					
19-15					
19-16	LM551--0533ZD	BRACKET, #2 SENSOR	1		
19-17	K0100080002	NUT, M8	1		
19-18	K0200080002	WASHER, SPRING M8	1		
19-19	K5000080002	WASHER, M8	1		
19-20	K3720000160	SWITCH, PROXIMITY NO V-out	1		
19-21	K4241000040	BAND, PLASTIC TRCV-200W	2		

20. Hydraulic section A

LM551B

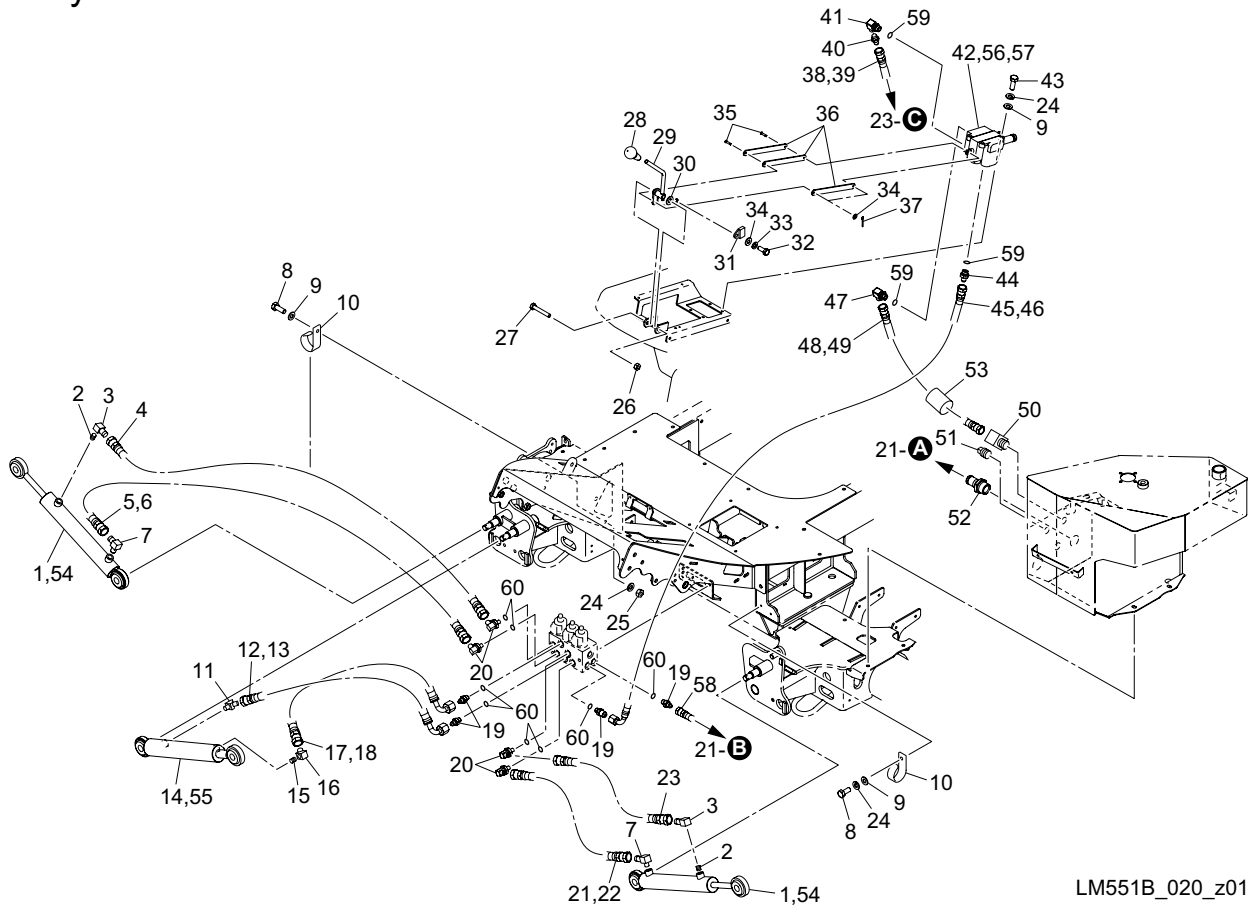


LM551B_020_z01

Cat No.	Code No.	Part name	Qty	Remark	SN of application
20-1	K3207000050	CYLINDER, 35-204 387	2		
20-2	K0023000061-Y	SETSCREW, M6-6-1.6	2		
20-3	K3029000252-Y	ELBOW, 90 1033-6M6	2		
20-4	LM551--0867Z0	HOSE, WP140-6-1-970	1		
20-5	K3100211310	HOSE, WP35-6-1-1310	1		
20-6	K3189012100	TUBE, SPIRAL SP-10 1210	1		
20-7	K3001060002-Y	ELBOW, 90 1033-6	2		
20-8	K0000080202	BOLT, M8-20	2		
20-9	K5000080002	WASHER, M8	6		
20-10	K4270030080	CLIP, HARNESS 30 M8	2		
20-11	K3003060002-Y	ELBOW, 45 1035-6	1		
20-12	K3100230490	HOSE, WP35-6-3-490	1		
20-13	K3189003900	TUBE, SPIRAL SP-10 390	1		
20-14	K3207000030	CYLINDER, 35-121 410	1		
20-15	K0023000051-Y	SETSCREW, M6-6-1.2	1		
20-16	K3029000372-Y	ELBOW, 45-1035-6M6	1		
20-17	K3103230490	HOSE, WP140-6-3-490	1		
20-18	K3189003900	TUBE, SPIRAL SP-10 390	1		
20-19	K3008000232-Y	CONNECTOR, W/O-RING PF1/4*PF1/4	4		
20-20	K3008000442-Y	ADAPTER, 90 1086-6	4		
20-21	K3100210740	HOSE, WP35-6-1-740	1		
20-22	K3189006400	TUBE, SPIRAL SP-10 640	1		
20-23	LM551--0868Z0	HOSE, WP140-6-1-990	1		
20-24	K0200080002	WASHER, SPRING M8	6		
20-25	K0100080002	NUT, M8	1		
20-26	K0144100002	NUT, W/F-RING M10	1		
20-27	K0003100602	BOLT, M10-60	1		
20-28	K1300000040	GRIP, PLASTIC BLACK 9-35.5	1		
20-29	LM551--0843Z3	LEVER, LIFTING	1		
20-30	K5051010180	WASHER, C5191P 1-10-18	1		

20. Hydraulic section A

LM551B

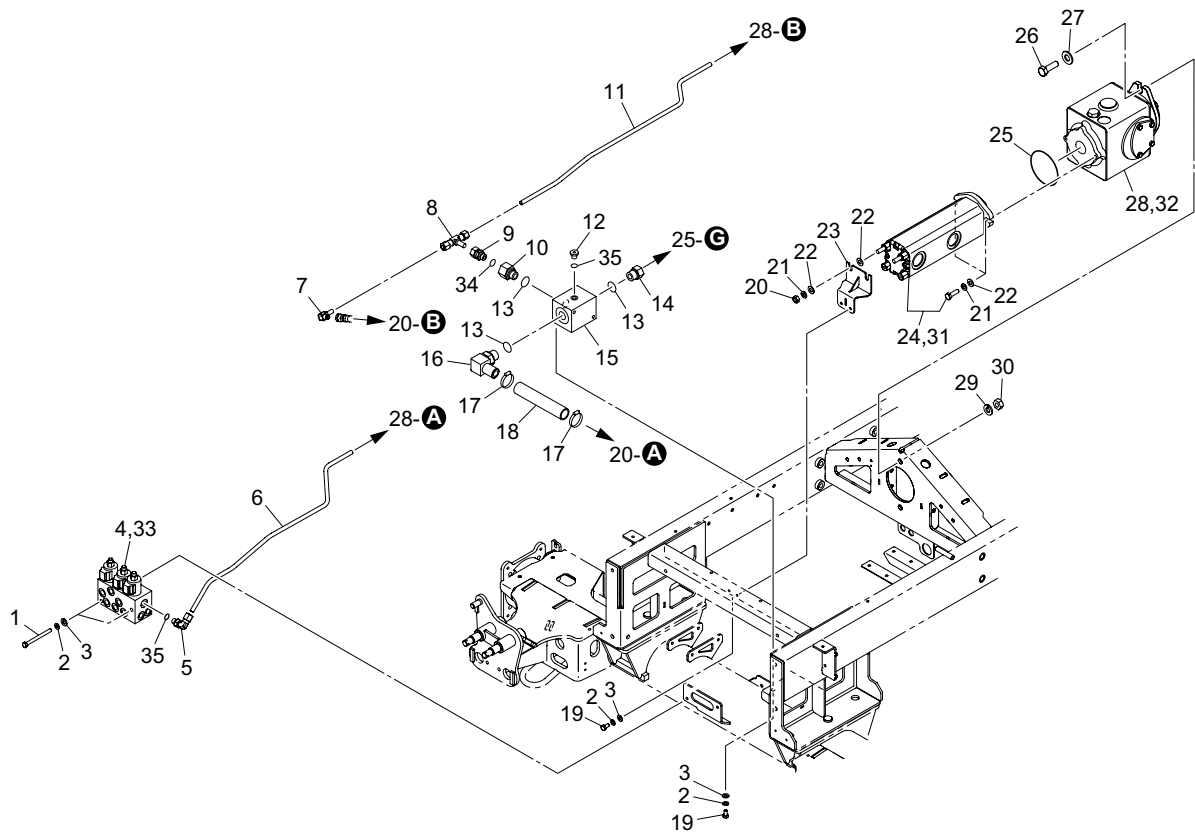


LM551B_020_z01

Cat No.	Code No.	Part name	Qty	Remark	SN of application
20-31	K1510000110	MAGNET, W/PLASTIC BASE	1		
20-32	K0000050102	BOLT, M5-10	1		
20-33	K0200050002	WASHER, SPRING M5	1		
20-34	K5000050002	WASHER, M5	3		
20-35	K6041045208	PIN, ROUND HEAD HT M4.5-20	2		
20-36	LM551--0842Z2	PLATE, CONNECTING	3		
20-37	K0300020122	PIN, COTTER M2-12	2		
20-38	K3103231130	HOSE, WP140-6-3-1130	1		
20-39	K3189010300	TUBE, SPIRAL SP-10 1030	1		
20-40	K3000060002-Y	ADAPTER, 1013-6	1		
20-41	K3008000082-Y	ELBOW, ADJUSTABLE 90 PF3/8PT1/4	1		
20-42	K3300000210	VALVE ASSY, STACK SV3-1230	1		
20-43	K0000080252	BOLT, M8-25	4		
20-44	K3009000202-Y	ADAPTER, PF1/4*PF3/8	1		
20-45	K3103231540	HOSE, WP140-6-3-1540	1		
20-46	K3189014400	TUBE, SPIRAL SP-10 1440	1		
20-47	K3008000032-Y	ELBOW, ADJUSTABLE 90 1086-9	1		
20-48	K3100311840	HOSE, WP35-9-1-1840	1		
20-49	K3191018000	TUBE, SPIRAL SP-15 1800	1		
20-50	K3003090002-Y	ELBOW, 45 1035-9	1		
20-51	K1422106001-Y	PLUG, TAPERED W/HEX HOLE T1 3/8	1		
20-52	K3009000132-Y	ADAPTER, MO-JS-25	1		
20-53	K3172301000	HOSE, VINYL 25*30-100	1		
20-54	YK3207-2	SEAL KIT	2		
20-55	YK3207-1	SEAL KIT	1		
20-56	YSV3-010-IC27	SEAL KIT, INLET COVER	1		
20-57	YSV3-010-ISB222	SEAL KIT, ISB BLOCK ASSY	1		
20-58	K3100210260	HOSE, WP35-6-1-260	1		
20-59	K0881014000	O-RING, P14B	3		
20-60	K0881011000	O-RING, P11B	8		

21. Hydraulic section B

LM551B

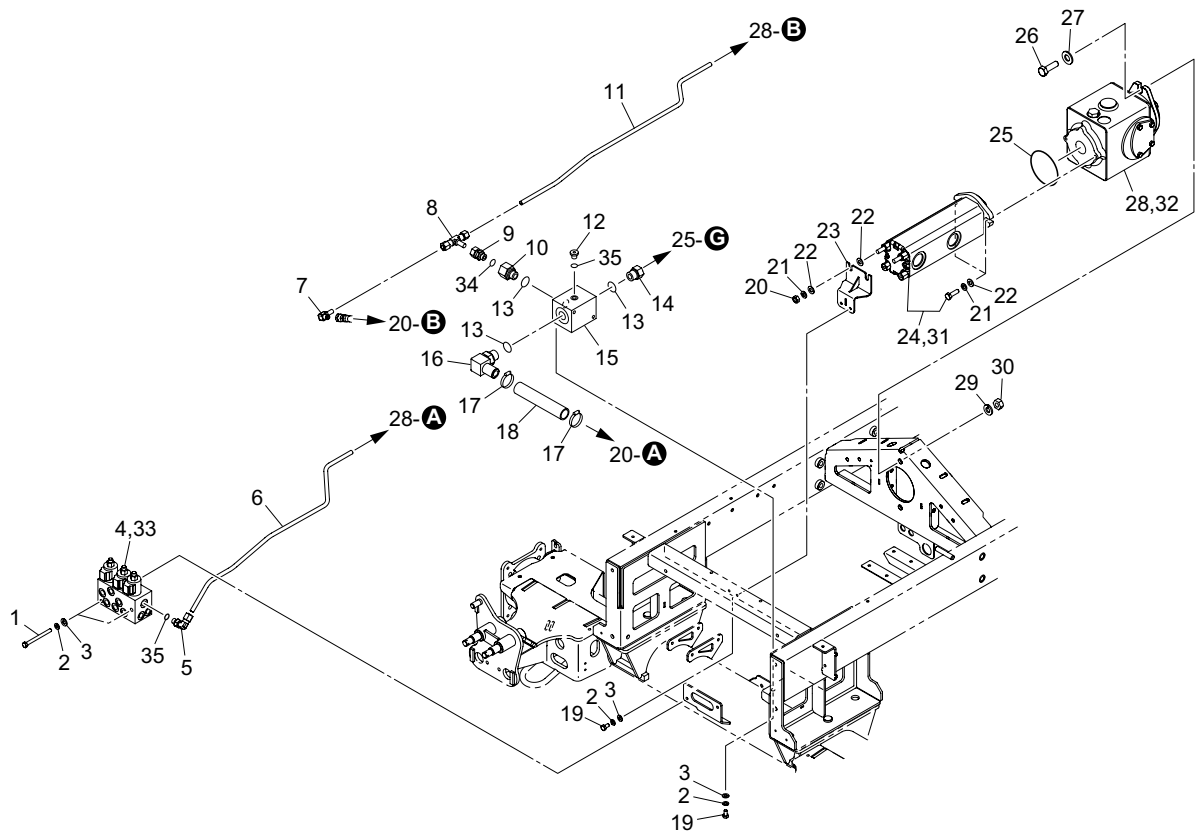


LM551B_021_z01

Cat No.	Code No.	Part name	Qty	Remark	SN of application
21-1	K0003080752	BOLT, M8-75	2		
21-2	K0200080002	WASHER, SPRING M8	6		
21-3	K5000080002	WASHER, M8	6		
21-4	K3313000680	VALVE COMP, SOLENOID HF85482-13	1		30001-32154
21a-4	K3313000990	VALVE COMP, SOLENOID HF85482-13	1		32155-
21-5	K3026410041-Y	NIPPLE, KLO 10-020KNNT	1		
21-6	LM551--0839Z2-Y	PIPE, 10 LIFTING H	1		
21-7	K3028510041-Y	ELBOW, FOR HOSE HLD 10-20E	1		
21-8	K3027010001-Y	TEE, KTB 10-000E	1		
21-9	K3026310081-Y	CONNECTOR, KCO 10-040E	1		
21-10	K3029000312-Y	BUSHING, PF1/2*PF3/4	1		
21-11	LM551--0840Z2-Y	PIPE, 10 LIFTING L	1		
21-12	K1420000222-Y	PLUG, W/O-RING 215-PF1/4	1		
21-13	K0881024000	O-RING, P24B	3		
21-14	K3026325121-Y	CONNECTOR, KCO 25-060E	1		
21-15	K3321000080-Y	MANIFOLD, AGGREGATED PF3/4	1		
21-16	K3008000602-Y	CONNECTOR, MALE 90 16-3/4	1		
21-17	K4260000190	CLAMP, HOSE JUBILEE BAND 1	2		
21-18	K3149010170	HOSE, S-25-170	1		
21-19	K0000080152	BOLT, M8-15	4		
21-20	K0100100002	NUT, M10	2		
21-21	K0200100002	WASHER, SPRING M10	4		
21-22	K5000100002	WASHER, M10	6		
21-23	LM551--0846ZD	PLATE, SECURING GEAR PUMP	1		
21-24	K3254000010	GEAR PUMP, QUAD PLP20	1		
21-25	K0887001520	O-RING, AS568-152	1		
21-26	K0013140452	BOLT, HT M14-45	2		
21-27	K5000140002	WASHER, M14	2		
21-28	K3240000040	PUMP, PISTON LPV35-11T	1		
21-29	K0200140002	WASHER, SPRING M14	2		

21. Hydraulic section B

LM551B

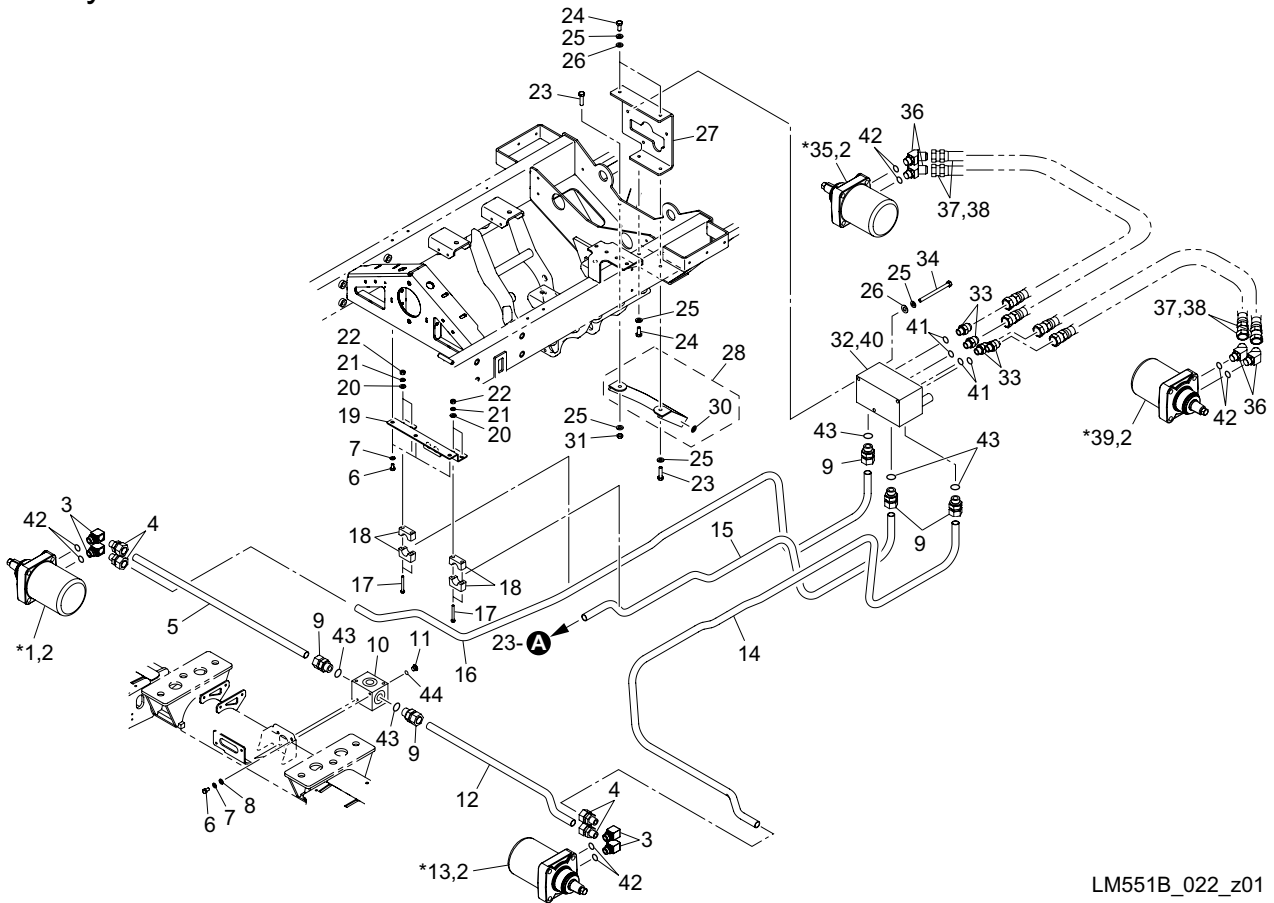


LM551B_021_z01

Cat No.	Code No.	Part name	Qty	Remark	SN of application
21-30	K0100140002	NUT, M14	2		
21-31	YCA62029540	SEAL KIT, PUMP	1		
21-32	Y4510463	SEAL KIT, PISTON PUMP (OVERHAUL)	1		
21-33	YZSK08-2N-T/B	SEAL KIT	1		
21-34	K0881018000	O-RING, P18B	1		
21-35	K0881011000	O-RING, P11B	2		

22. Hydraulic section C

LM551B

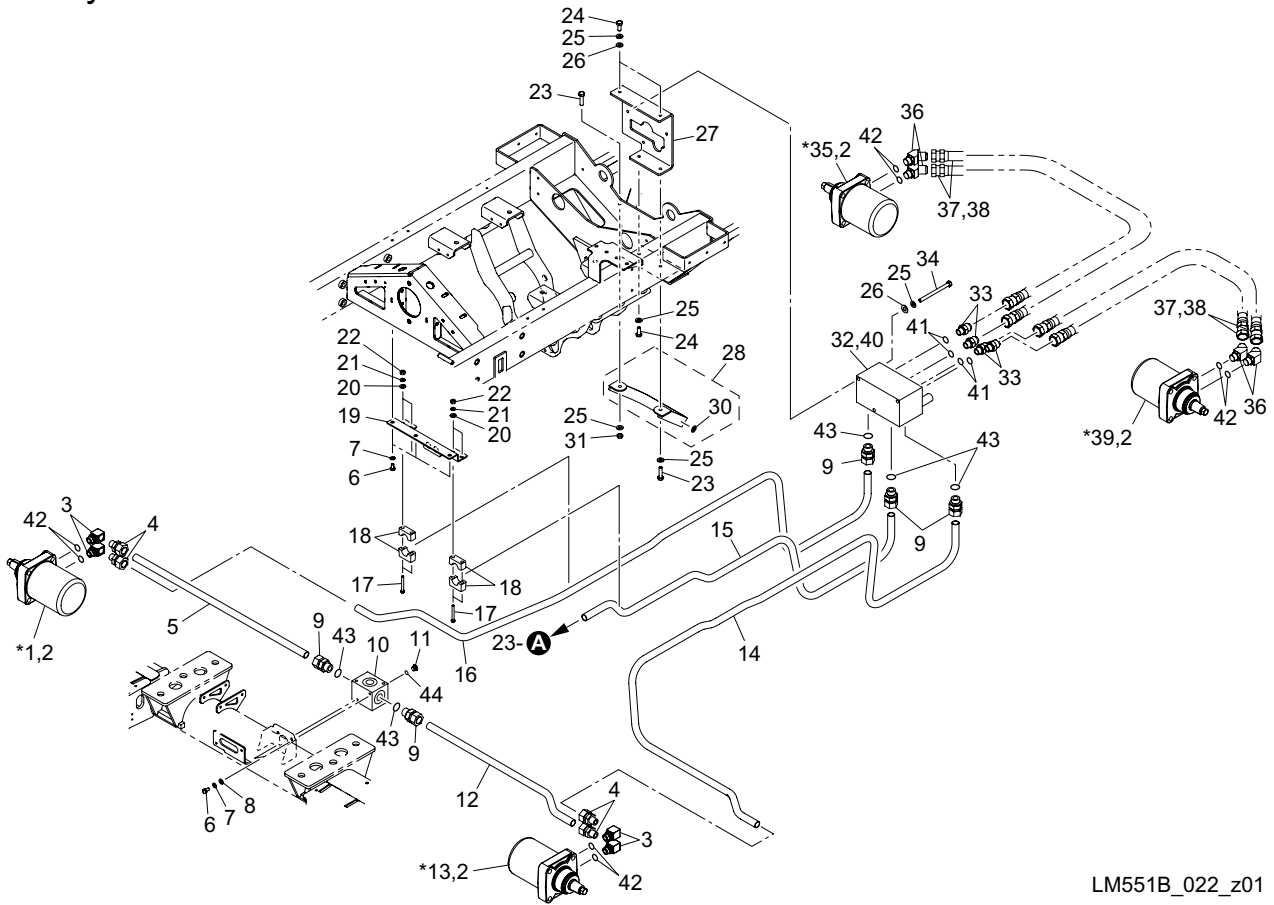


LM551B_022_z01

Cat No.	Code No.	Part name	Qty	Remark	SN of application
22-1	K3292000050	MOTOR, WHEEL TGK405US081	1	Front RH	
22-2	YSK000324	SEAL KIT	4		
22-3	K3008000822-Y	ELBOW, O-RING 4045-10-8	4		
22-4	K3026622081-Y	CONNECTOR, KCT 22-040E	4		
22-5	LM551--0815Z2-Y	PIPE, 22 HYD MANIFOLD-MOTOR (RH)	1		
22-6	K0000080152	BOLT, M8-15	5		
22-7	K0200080002	WASHER, SPRING M8	5		
22-8	K5000080002	WASHER, M8	5		
22-9	K3026322121-Y	CONNECTOR, KCO 22-060E	5		
22-10	K3321000080-Y	MANIFOLD, AGGREGATED PF3/4	1		
22-11	K1420000222-Y	PLUG, W/O-RING 215-PF1/4	1		
22-12	LM551--0816Z2-Y	PIPE, 22 HYD MANIFOLD-MOTOR (LH)	1		
22-13	K3292000060	MOTOR, WHEEL TGK405US080	1	Front LH	
22-14	LM551--0861Z2-Y	PIPE, 22 HYD MOTOR (LH)-AWDV	1		
22-15	LM551--0862B2-Y	PIPE, 22 HYD AWDV-PUMP	1		
22-16	LM551--0860Z2-Y	PIPE, 22 HYD MOTOR (RH)-AWDV	1		
22-17	K0000060502	BOLT, M6-50	4		
22-18	K4260000290	CLAMP, PLASTIC FPR PIPE 3Gr15A	2		
22-19	LM551--0832Z2	PLATE, CONNECTING PIPE	1		
22-20	K5000060002	WASHER, M6	4		
22-21	K0200060002	WASHER, SPRING M6	4		
22-22	K0100060002	NUT, M6	4		
22-23	K0000100302	BOLT, M10-30	2		
22-24	K0000100202	BOLT, M10-20	3		
22-25	K0200100002	WASHER, SPRING M10	8		
22-26	K5000100002	WASHER, M10	5		
22-27	LM551--0818ZD	MOUNT, VALVE	1		
22-28	LM551--0656Z0	GUARD COMP, REAR UNDER	1		
22-29					
22-30	K4205002220	DECAL, DO NOT JACKUP	1		

22. Hydraulic section C

LM551B

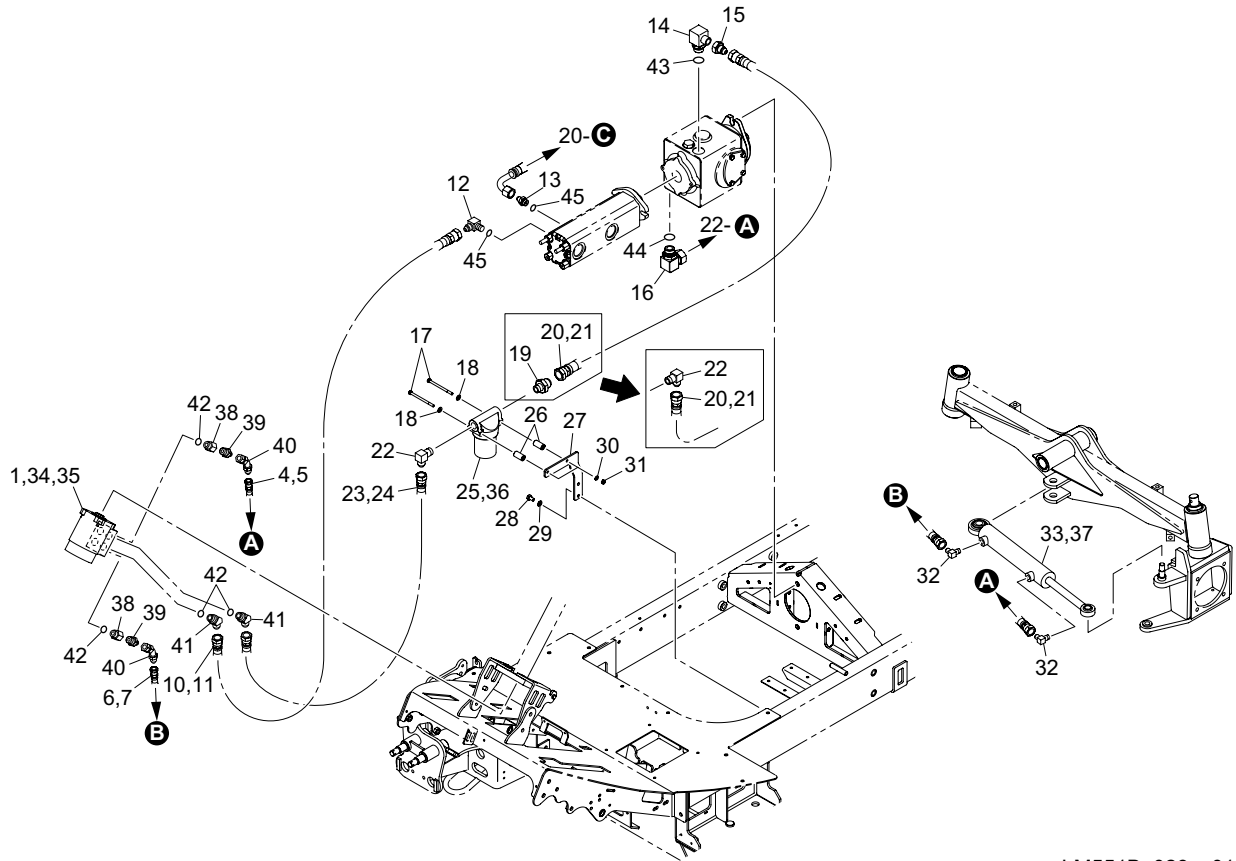


LM551B_022_z01

Cat No.	Code No.	Part name	Qty	Remark	SN of application
22-31	K0100100002	NUT, M10	1		
22-32	K3315000070	VALVE COMP, CROSS RELIEF HF98155-15	1		
22-33	K3008000592-Y	CONNECTOR, ODD SIZED 1084-3/4-1/2-S	4		
22-34	K0013101202	BOLT, HT M10-120	3		
22-35	K3292000030	MOTOR, WHEEL TGK310US081	1	Rear RH	
22-36	K3008000762-Y	ELBOW, ADJUSTABLE UNF45-1129-15	4		
22-37	LM2400-0763Z0	HOSE, NWP245-15-1-1200	4		
22-38	K3192011000	TUBE, SPIRAL SP-20-1100	4		
22-39	K3292000040	MOTOR, WHEEL TGK310US080	1	Rear LH	
22-40	No Code	SEAL KIT	1	Contact your supplier	
22-41	K0881018000	O-RING, P18B	4		
22-42	K0887009100	O-RING, AS568-910	8		
22-43	K0881024000	O-RING, P24B	5		
22-44	K0881011000	O-RING, P11B	1		

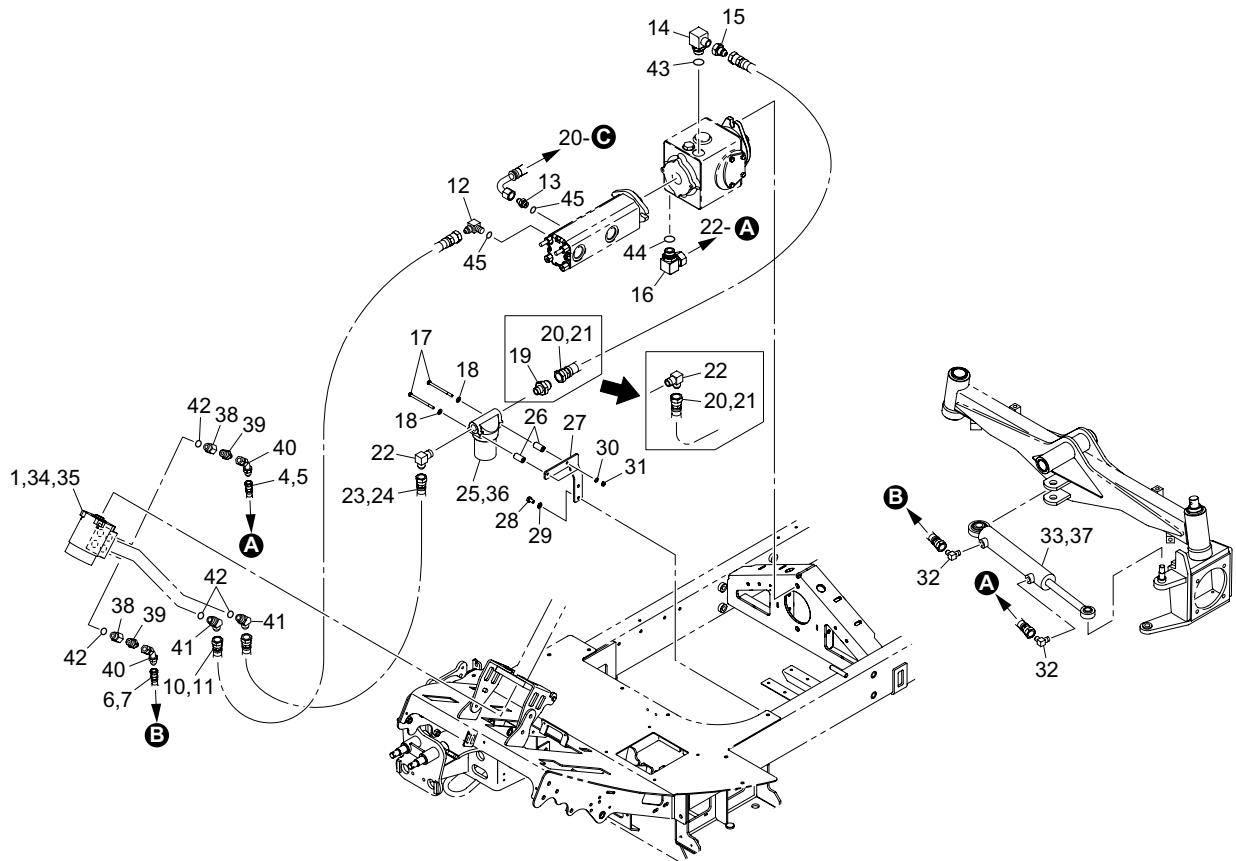
23. Hydraulic section D

LM551B



LM551B_023_z01

Cat No.	Code No.	Part name	Qty	Remark	SN of application
23-1	K3295000030	STEERING CNTL UNIT ASSY, ORBITROL AL03064	1		
23-2					
23-3					
23-4	K3102212900	HOSE, WP105-6-1-2900	1		
23-5	K3189028000	TUBE, SPIRAL SP-10 2800	1		
23-6	K3102212700	HOSE, WP105-6-1-2700	1		
23-7	K3189026000	TUBE, SPIRAL SP-10 2600	1		
23-8					
23-9					
23-10	K3102410790	HOSE, WP105-12-1-790	1		
23-11	K3192006900	TUBE, SPIRAL SP-20 690	1		
23-12	K3008000192-Y	ADAPTER, ODD SIZED 90 PF1/2*PF3/8	1		
23-13	K3009000202-Y	ADAPTER, PF1/4*PF3/8	1		
23-14	K3008000822-Y	ELBOW, O-RING 4045-10-8	1		
23-15	K3000120002-Y	ADAPTER, 1013-12	1		
23-16	K3008000812-Y	ELBOW, O-RING 1204-22-1, 1/16	1		
23-17	K0003060902	BOLT, M6-90	2		
23-18	K5000060002	WASHER, M6	2		
23-19	K3000120002-Y	ADAPTER, 1013-12	1		30001-32098
23-20	K3100410270	HOSE, WP35-12-1-270	1		30001-32098
23a-20	K3100430670	HOSE, WP35-12-1-670	1		32099-
23-21	K3192001700	TUBE, SPIRAL SP-20 170	1		30001-32098
23a-21	K3192005700	TUBE, SPIRAL SP-20 570	1		32099-
23-22	K3001120002-Y	ELBOW, 90 1033-12	1		30001-32098
23a-22	K3001120002-Y	ELBOW, 90 1033-12	2		32099-
23-23	K3100410900	HOSE, WP35-12-1-900	1		
23-24	K3192008000	TUBE, SPIRAL SP-20 800	1		
23-25	K3412000080	FILTER, CARTRIDGE DT-04A-10X	1		
23-26	K6210000162	COLLAR, SS41 6.5-16-31	2		
23-27	LM551--0812ZD	BRACKET, FILTER	1		

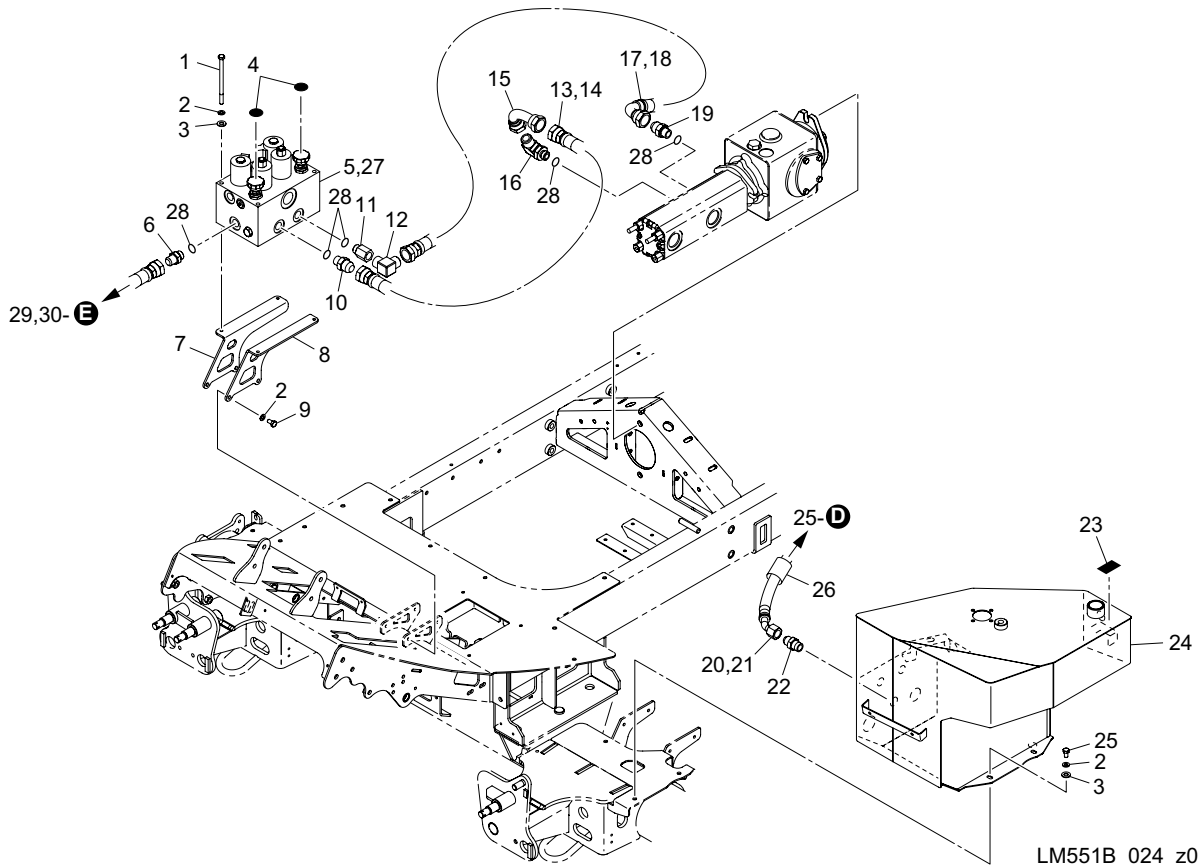


LM551B_023_z01

Cat No.	Code No.	Part name	Qty	Remark	SN of application
23-28	K0000080152	BOLT, M8-15	2		
23-29	K0200080002	WASHER, SPRING M8	2		
23-30	K5012308242	WASHER, SPCC 2.3-8-24	2		
23-31	K0100060002	NUT, M6	2		
23-32	K3001060002-Y	ELBOW, 90 1033-6	2		
23-33	K3213000420	CYLINDER, 40-187 393	1		
23-34	Y00420011T	SEAL KIT, 406100	1		
23-35	Y00420012T	BEARING KIT, NEEDLE 407200	1		
23-36	K3412000090	FILTER, CARTRIDGE DTE-04A-10X (SUBSTITUTE)	1		
23-37	YIS-40G-SK	SEAL KIT, CYLINDER	1		
23-38	K3029000042-Y	BUSHING, PF1/2*PT3/8	2		
23-39	K3007000062-Y	ADAPTER, ODD SIZED PT3/8*PF1/4	2		
23-40	K3025064042-Y	ADAPTER, FOR PIPE 064-04	2		
23-41	K3008000182-Y	ELBOW, ADJUSTABLE 45	2		
23-42	K0881018000	O-RING, P18B	4		
23-43	K0887009100	O-RING, AS568-910	1		
23-44	K0887009120	O-RING, AS568-912	1		
23-45	K0881014000	O-RING, P14B	2		

24. Hydraulic section E

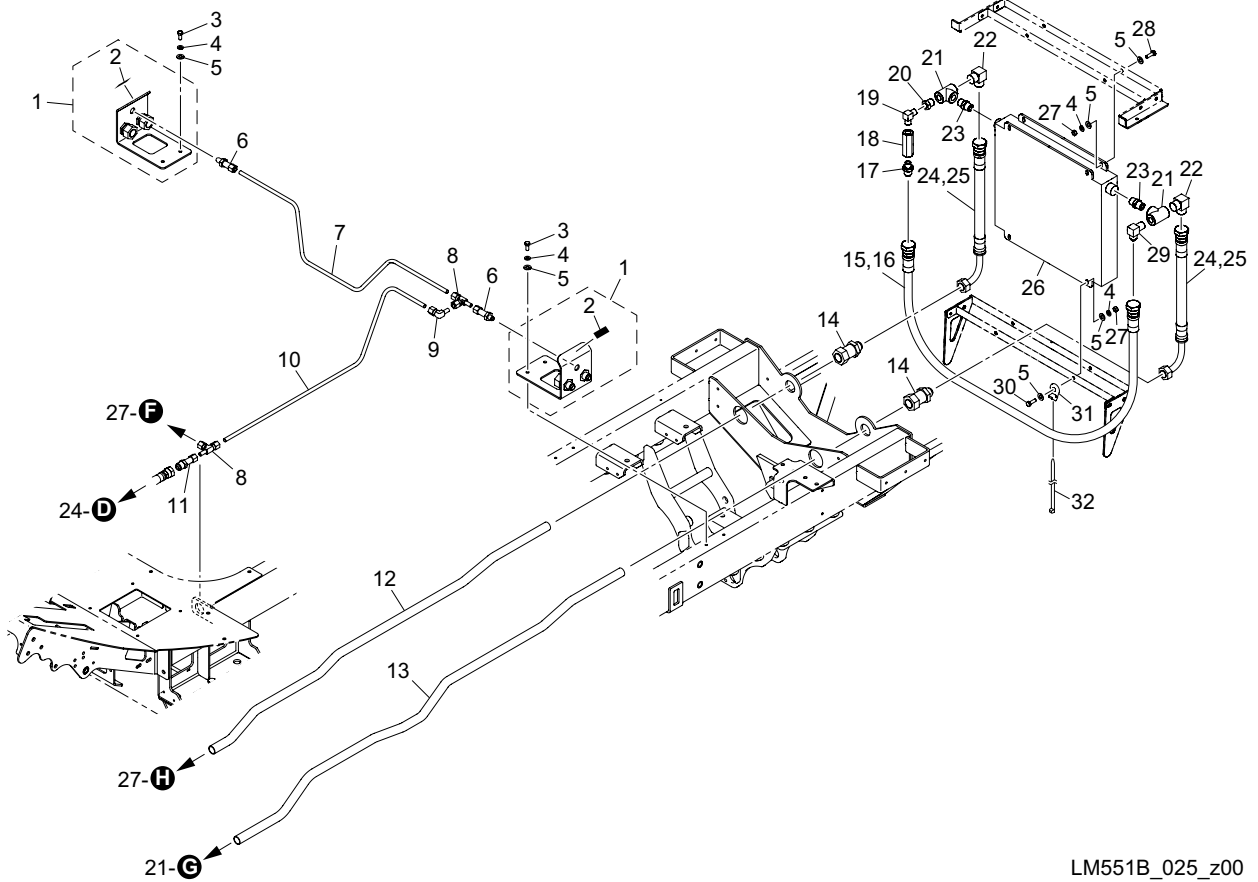
LM551B



Cat No.	Code No.	Part name	Qty	Remark	SN of application
24-1	K0003081302	BOLT, M8-130	4		
24-2	K0200080002	WASHER, SPRING M8	12		
24-3	K5000080002	WASHER, M8	8		
24-4	K4209001590	DECAL, INSTRUCTING REEL ROTATION	2		
24-5	K3313000610	VALVE COMP, SOLENOID HF96525-14	1		30001-32154
24a-5	K3313000930	VALVE COMP, SOLENOID HF96525-14	1		32155-
24-6	K3009000092-Y	ADAPTER, PF1/2*PF1/2	1		
24-7	LM551--0824ZD	BRACKET, ROTARY VALVE (RH)	1		
24-8	LM551--0825ZD	BRACKET, ROTARY VALVE (LH)	1		
24-9	K0000080152	BOLT, M8-15	4		
24-10	K3008000592-Y	CONNECTOR, ODD SIZED 1084-3/4-1/2-S	1		
24-11	K3029000012-Y	BUSHING, PF1/2*PT1/2	1		
24-12	K3006000122-Y	ELBOW, ODD SIZED PT1/2*PF3/4	1		
24-13	K3105610490	HOSE, WP210-19-1-490	1		
24-14	K3192003900	TUBE, SPIRAL SP-20 390	1		
24-15	K3025069122-Y	ADAPTER, FOR PIPE 069-12	1		
24-16	K3008000462-Y	ELBOW, 90 ODD SIZED PF3/4*PF1/2	1		
24-17	K3105630490	HOSE, WP210-19-3-490	1		
24-18	K3192003900	TUBE, SPIRAL SP-20 390	1		
24-19	K3008000592-Y	CONNECTOR, ODD SIZED 1084-3/4-1/2-S	1		
24-20	K3100420300	HOSE, WP35-12-2-300	1		
24-21	K3192001300	TUBE, SPIRAL SP-20 130	1		
24-22	K3000120002-Y	ADAPTER, 1013-12	1		
24-23	K4209000980	DECAL, HYDRAULIC OIL	1		30001-32065
24a-23	K4209001390	DECAL, HYDRAULIC OIL	1		32066-
24-24	LM551--0804ZD-Y	TANK, HYDRAULIC	1		
24-25	K0000080202	BOLT, M8-20	4		
24-26	K3172301000	HOSE, VINYL 25*30-100	1		
24-27	No Code	SEAL KIT	1	Contact your supplier	
24-28	K0881018000	O-RING, P18B	5		

25. Hydraulic section F

LM551B

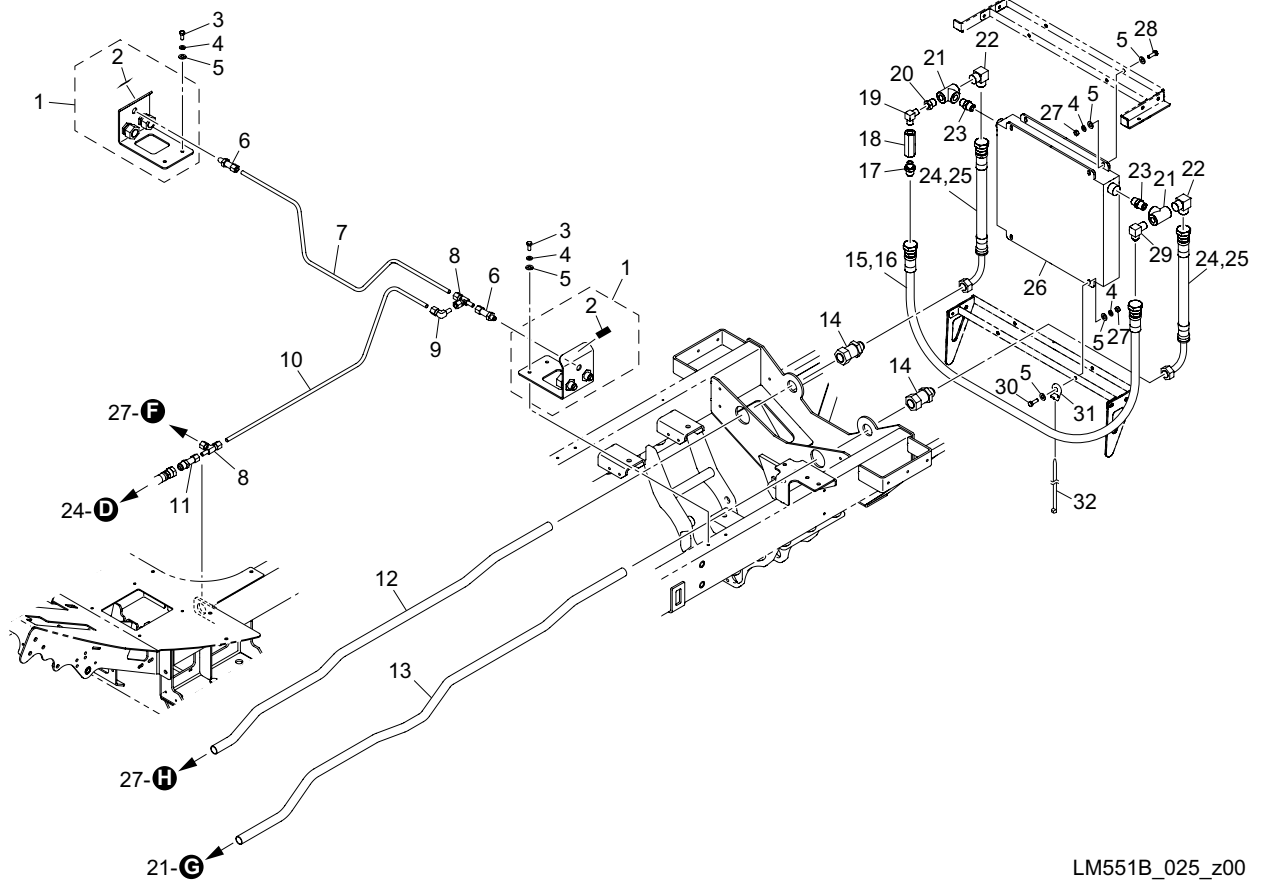


LM551B_025_z00

Cat No.	Code No.	Part name	Qty	Remark	SN of application
25-1	LM551--0869Z0	PLATE COMP, CONNECTING PIPE #2&3 MOWER	2		
25-2	K4205001930	DECAL, CAUTION GETTING CAUGHT HANDS/FEET	2		
25-3	K0000080202	BOLT, M8-20	4		
25-4	K0200080002	WASHER, SPRING M8	12		
25-5	K5000080002	WASHER, M8	20		
25-6	K3026910041-Y	UNION, KUE 10-020E	2		
25-7	LM551--0837Z2-Y	PIPE, 10 DRAIN (#2-#3) (REAR)	1		
25-8	K3027210001-Y	TEE, KTC 10-000E	2		
25-9	K3027110001-Y	ELBOW, KLC 10-000E	1		
25-10	LM551--0836Z2-Y	PIPE, 10 DRAIN (#3-MANIFOLD) (REAR)	1		
25-11	K3026910081-Y	UNION, KUE10-040E	1		
25-12	LM551--0802Z2-Y	PIPE, 25 (V-OC)	1		
25-13	LM551--0803Z2-Y	PIPE, 25 (OC-TANK)	1		
25-14	K3026925121-Y	UNION, KUE25-060E	2		
25-15	K3100411000	HOSE, WP35-12-1-1000	1		
25-16	K3192009000	TUBE, SPIRAL SP-20 900	1		
25-17	K3009000192-Y	ADAPTER, PT3/8*PF1/2	1		
25-18	K3340000030	VALVE, CHECK 03-100	1		
25-19	K3006000072-Y	ELBOW, PT3/8	1		
25-20	K3020080601-Y	BUSHING, BUT 1/2*3/8	1		
25-21	K3021080002-Y	TEE, TEF PT1/2	2		
25-22	K3006000122-Y	ELBOW, ODD SIZED PT1/2*PF3/4	2		
25-23	K3023080001-Y	NIPPLE, NS PT1/2	2		
25-24	K3100620610	HOSE, WP35-19-2-610	2		
25-25	K3192005100	TUBE, SPIRAL SP-20 510	2		
25-26	LM2700-3839Z0	OIL COOLER	1		
25-27	K0100080002	NUT, M8	8		
25-28	K0000080252	BOLT, M8-25	7		
25-29	K3001120002-Y	ELBOW, 90 1033-12	1		
25-30	K0000080302	BOLT, M8-30	1		

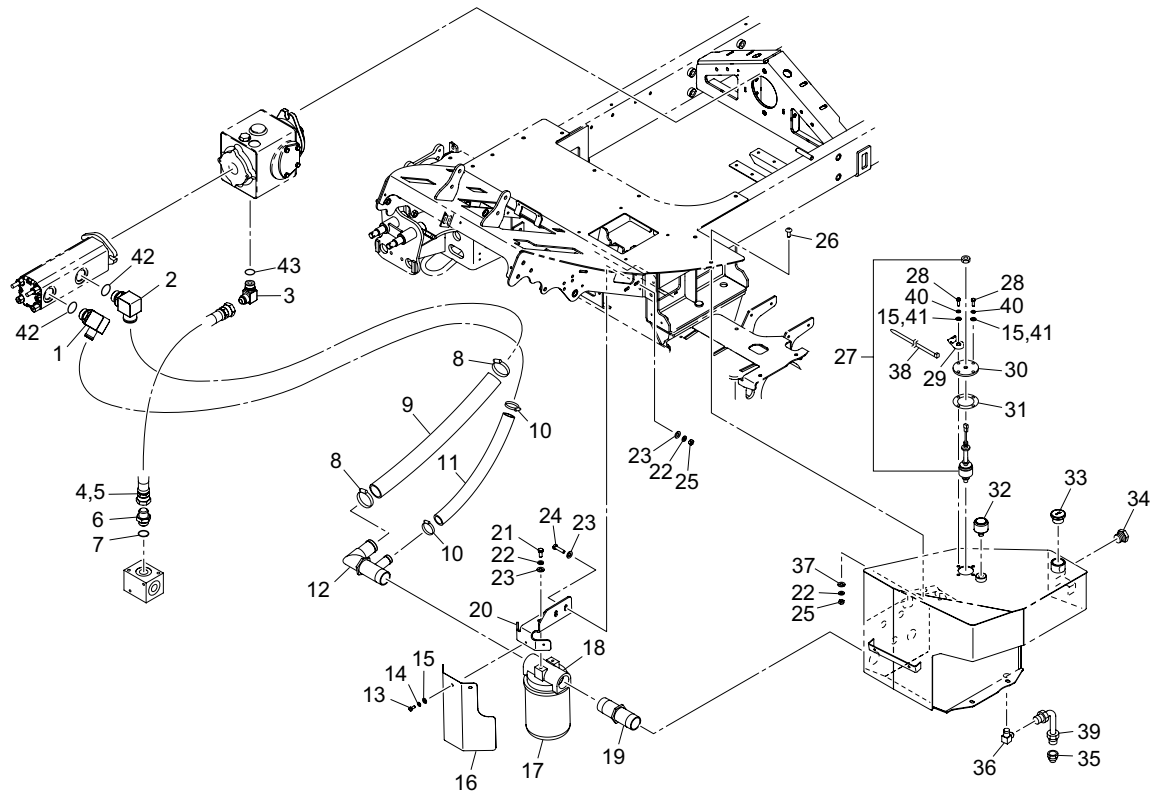
25. Hydraulic section F

LM551B



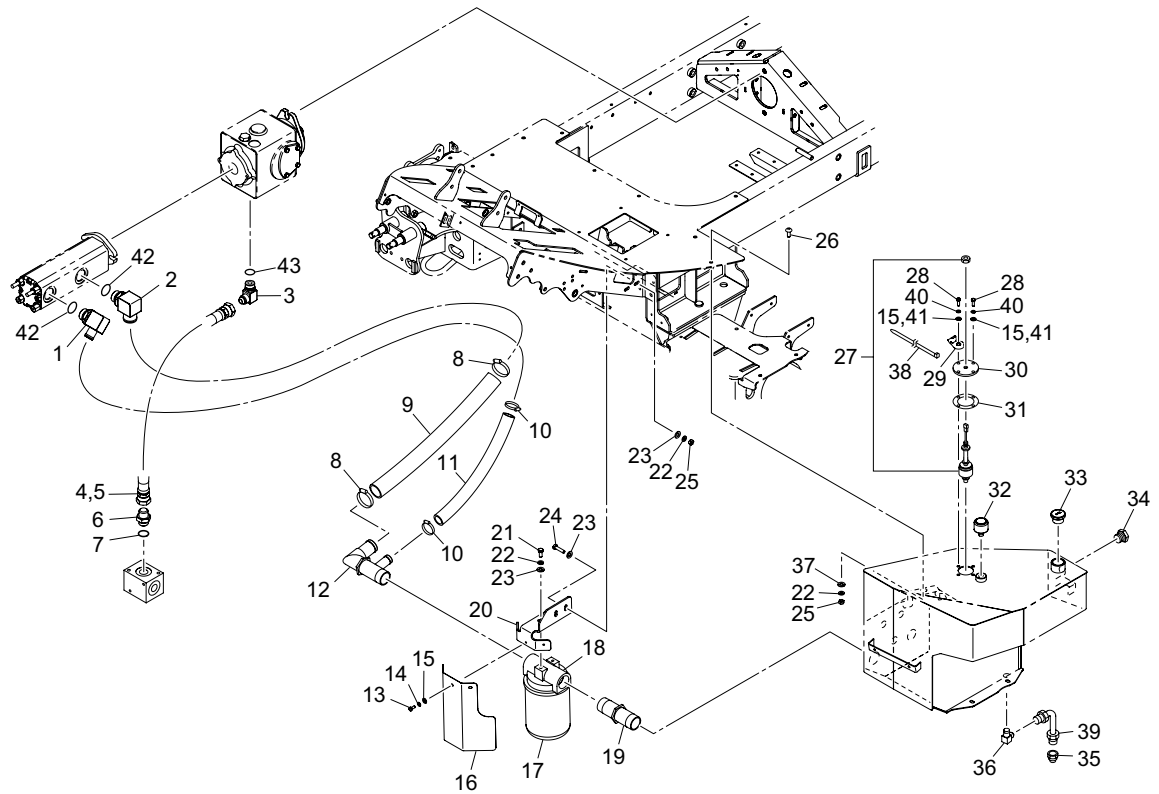
LM551B_025_z00

Cat No.	Code No.	Part name	Qty	Remark	SN of application
25-31	K4241000150	MOUNT, TIE CLB8-SB10	1		
25-32	K4241000040	BAND, PLASTIC TRCV-200W	1		



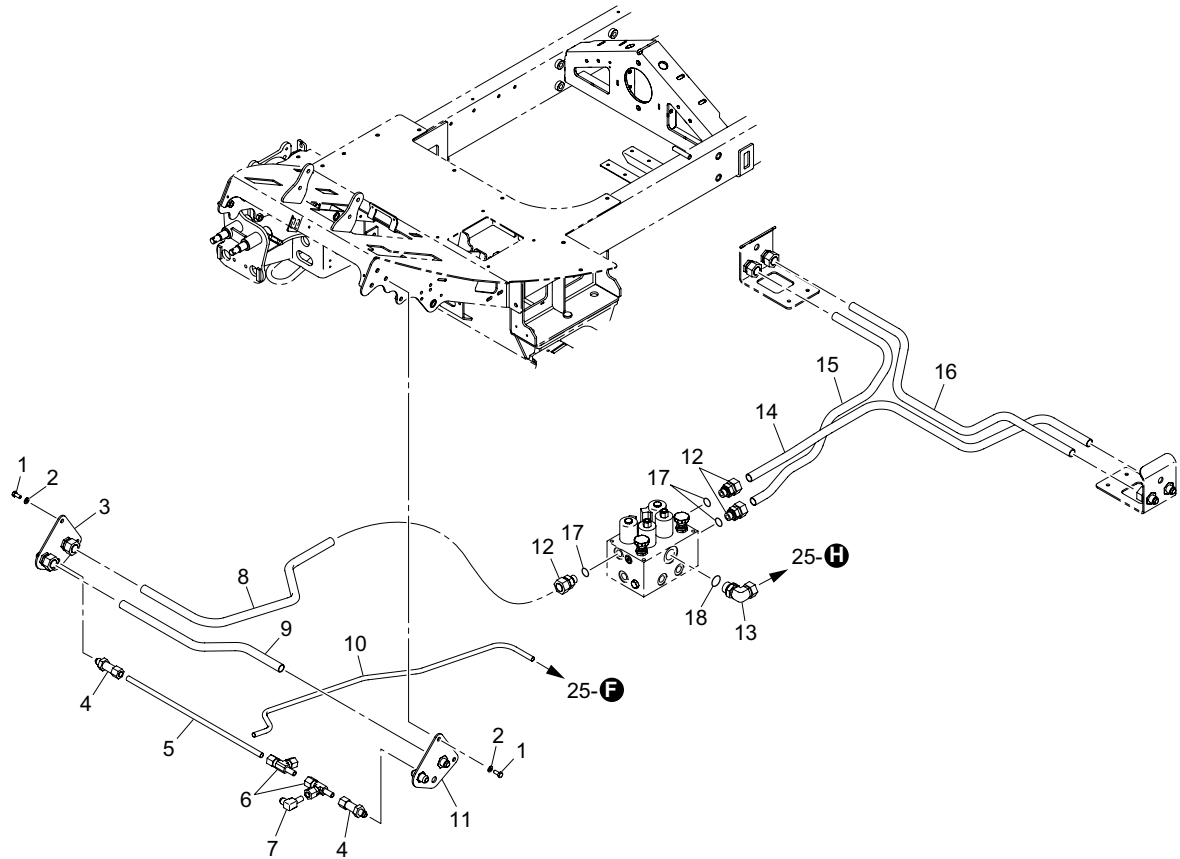
LM551B_026_z01

Cat No.	Code No.	Part name	Qty	Remark	SN of application
26-1	K3008000912-Y	ELBOW, ADJUSTABLE 90-25-G1	1		
26-2	K3008000212-Y	ADAPTER, ODD SIZED 90 FPD2576	1		
26-3	K3008000802-Y	ELBOW, ADJUSTABLE UN90-1128-19	1		
26-4	K3107610440	HOSE, WP280-19-1-440	1		
26-5	K3192003400	TUBE, SPIRAL SP-20 340	1		
26-6	K3009000032-Y	ADAPTER, PF3/4	1		
26-7	K0881024000	O-RING, P24B	1		
26-8	K4260000200	CLAMP, HOSE JUBILEE BAND 2A	2		
26-9	K3100A00480	HOSE, WP35-38-0-480	1		
26-10	K4260000190	CLAMP, HOSE JUBILEE BAND 1	2		
26-11	K3149010360	HOSE, S-25-360	1		
26-12	LM551--0806Z2-Y	MANIFOLD, SUCTION PIPE	1		
26-13	K0000060102	BOLT, M6-10	3		
26-14	K0200060002	WASHER, SPRING M6	3		
26-15	K5000060002	WASHER, M6	7		30001-32114
26a-15	K5000060002	WASHER, M6	3		32115-
26-16	LM551--0808ZD	PLATE, PROTECTING FILTER	1		
26-17	K3416000020	FILTER, CARTRIDGE P550275	1		
26-18	K3416000010	HEAD ASSY, OIL FILTER P576555	1		
26-19	LM551--0805Z2-Y	METAL, CONNECTING FILTER	1		
26-20	LM551--0807ZD	MOUNT, SUCTION FILTER	1		
26-21	K0069000061	BOLT, UNC18 5/16-20	2		
26-22	K0200080002	WASHER, SPRING M8	5		
26-23	K5000080002	WASHER, M8	6		
26-24	K0000080252	BOLT, M8-25	2		
26-25	K0100080002	NUT, M8	3		
26-26	K0056080200	SCREW, SUS + TRUSS M8-20	1		
26-27	K3720000130	SENSOR, LEVEL SWITCH	1		
26-28	K0000060202	BOLT, M6-20	4		
26-29	K4241000140	BAND, PLASTIC TIE MOUNT CL8-SB8	1		



LM551B_026_z01

Cat No.	Code No.	Part name	Qty	Remark	SN of application
26-30	LM526--0809Z2-Y	BRACKET, OIL LEVEL SENSOR	1		30001-32114
26a-30	LM526--0809A2-Y	BRACKET, OIL LEVEL SENSOR	1		32115-
26-31	K4011000330	PACKING, OIL-SHEET 0.8-4575	1		
26-32	K1430000050	BREATHER, AIR P562495	1		
26-33	K1310000140	CAP, OIL KRM-A4	1		
26-34	K1400000076-Y	GAUGE, OIL G 3/4 MG TYPE	1		
26-35	K3008000492-Y	CAP, TAPPED FEMALE PF3/8	1		
26-36	K3001090002-Y	ELBOW, 90 1033-9	1		
26-37	K5012308242	WASHER, SPCC 2.3-8-24	1		
26-38	K4241000040	BAND, PLASTIC TRCV-200W	1		
26-39	K302506L062-Y	ADAPTER, FOR PIPE 06L-06	1		
26-40	K0200060002	WASHER, SPRING M6	4		30001-32114
26-41	K0922060000	SEAL, WASHER 6WF	4		32115-
26-42	K0881029000	O-RING, P29B	2		
26-43	K0887009120	O-RING, AS568-912	1		

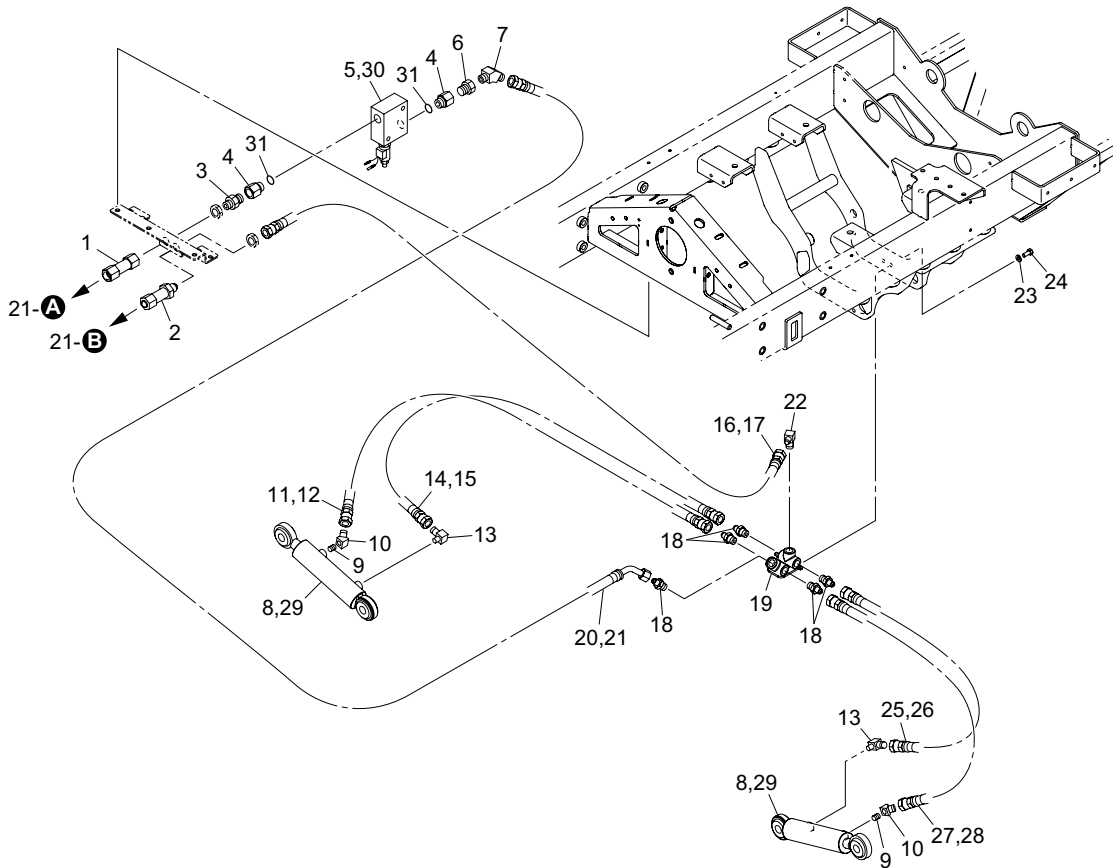


LM551B_027_z01

Cat No.	Code No.	Part name	Qty	Remark	SN of application
27-1	K0000100202	BOLT, M10-20	4		
27-2	K0200100002	WASHER, SPRING M10	4		
27-3	LM551--0830Z2-Y	PLATE, CONNECTING PIPE #4 MOWER	1		
27-4	K3026910041-Y	UNION, KUE 10-020E	2		
27-5	LM551--0829Z2-Y	PIPE, 10 DRAIN (#4-#5) (FRONT)	1		
27-6	K3027210001-Y	TEE, KTC 10-000E	2		
27-7	K3028510041-Y	ELBOW, FOR HOSE HLD 10-20E	1		
27-8	LM551--0827Z2-Y	PIPE, 22 ROTATING (#4-V) (FRONT)	1		
27-9	LM551--0826Z2-Y	PIPE, 22 ROTATING (#4-#5) (FRONT)	1		
27-10	LM551--0828Z2-Y	PIPE, 10 DRAIN (#5-MANIFOLD) (FRONT)	1		
27-11	LM551--0831Z2-Y	PLATE, CONNECTING PIPE #5 MOWER	1		
27-12	K3026322081-Y	CONNECTOR, KCO 22-040E	3		
27-13	K3026425161-Y	NIPPLE, KLO 25-080E	1		
27-14	LM551--0833Z2-Y	PIPE, 22 ROTATING (#3-V) (REAR)	1		
27-15	LM551--0835Z2-Y	PIPE, 22 ROTATING (V-#2) (REAR)	1		
27-16	LM551--0834Z2-Y	PIPE, 22 ROTATING (#2-#3) (REAR)	1		
27-17	K0881018000	O-RING, P18B	3		
27-18	K0881029000	O-RING, P29B	1		

28. Hydraulic section I

LM551B

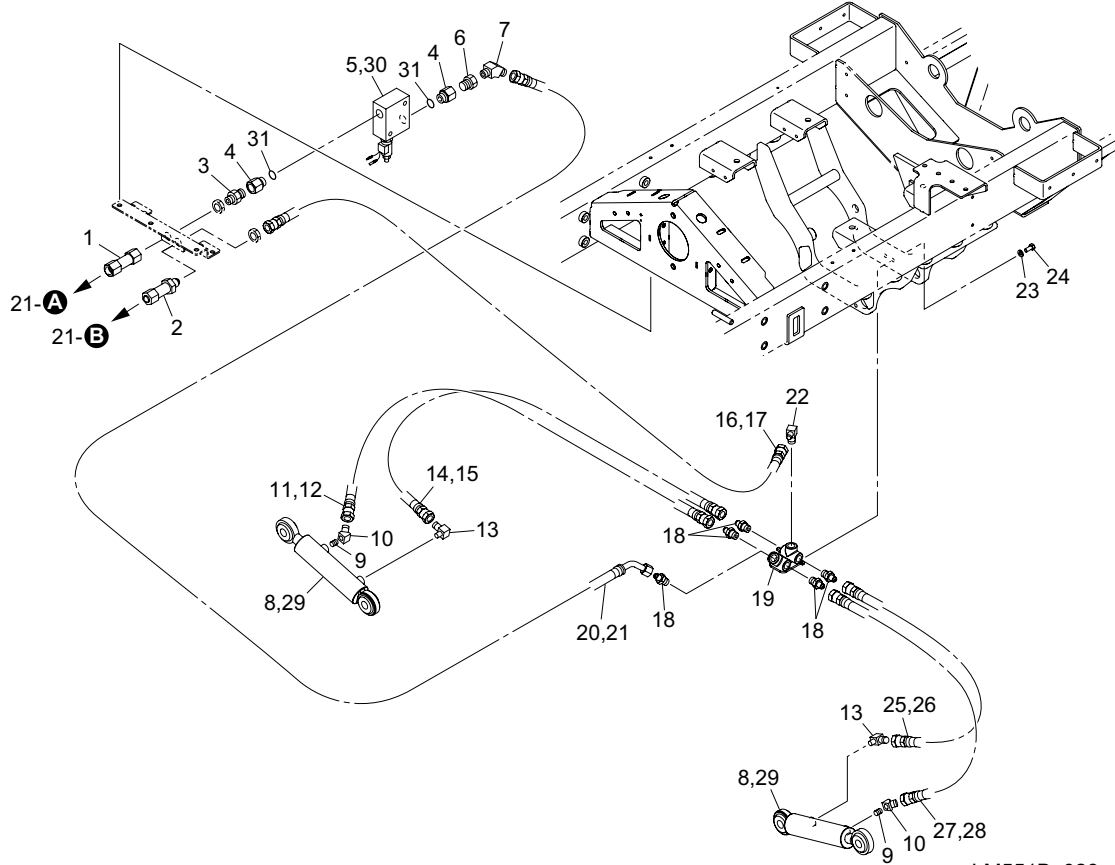


LM551B_028_z01

Cat No.	Code No.	Part name	Qty	Remark	SN of application
28-1	K3028910041-Y	SOCKET, TIGHTENING KSS10-020E	1		
28-2	K3026910041-Y	UNION, KUE 10-020E	1		
28-3	K3020060401-Y	BUSHING, BUT 3/8*1/4	1		
28-4	K3029000072-Y	BUSHING, PF3/8*PT3/8	2		
28-5	K3313000750	VALVE, SOLENOID HF121927-18	1		30001-32154
28a-5	K3313001040	VALVE, SOLENOID HF121927-18	1		32155-
28-6	K3029000211-Y	NIPPLE, ODD SIZED PT3/8*PT1/4	1		
28-7	K3003060002-Y	ELBOW, 45 1035-6	1		
28-8	K3207000040	CYLINDER, 35-75 275	2		
28-9	K0023000011-Y	SETSCREW, M6-6-1	2		
28-10	K3029000372-Y	ELBOW, 45-1035-6M6	2		
28-11	K3103210470	HOSE, WP140-6-1-470	1		
28-12	K3189003700	TUBE, SPIRAL SP-10 370	1		
28-13	K3001060002-Y	ELBOW, 90 1033-6	2		
28-14	K3100210540	HOSE, WP35-6-1-540	1		
28-15	K3189004400	TUBE, SPIRAL SP-10 440	1		
28-16	K3100210660	HOSE, WP35-6-1-660	1		
28-17	K3189005600	TUBE, SPIRAL SP-10 560	1		
28-18	K3007000062-Y	ADAPTER, ODD SIZED PT3/8*PF1/4	5		
28-19	LM551--0841Z2-Y	MANIFOLD, #23	1		
28-20	K3103220460	HOSE, WP140-6-2-460	1		
28-21	K3189003600	TUBE, SPIRAL SP-10 360	1		
28-22	K3006000012-Y	ELBOW, ODD SIZED PT3/8*PF1/4	1		
28-23	K0200080002	WASHER, SPRING M8	2		
28-24	K0000080202	BOLT, M8-20	2		
28-25	K3100210500	HOSE, WP35-6-1-500	1		
28-26	K3189004000	TUBE, SPIRAL SP-10 400	1		
28-27	K3103210430	HOSE, WP140-6-1-430	1		
28-28	K3189003300	TUBE, SPIRAL SP-10 330	1		
28-29	YK3207-2	SEAL KIT	2		

28. Hydraulic section I

LM551B

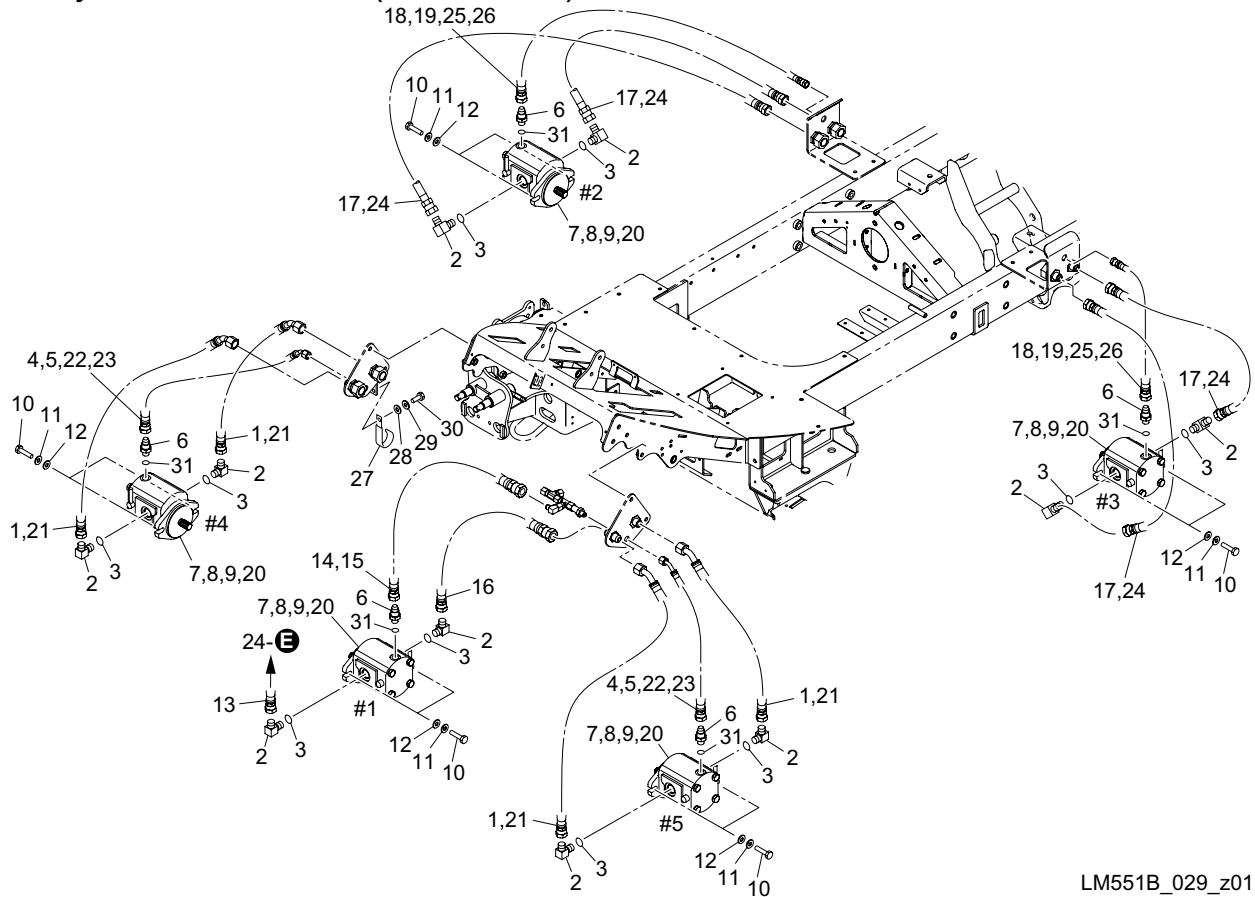


LM551B_028_z01

Cat No.	Code No.	Part name	Qty	Remark	SN of application
28-30	YZ40108445	SEAL KIT	1		
28-31	K0881014000	O-RING, P14B	2		

29. Hydraulic section J (LH6 & LS6)

LM551B

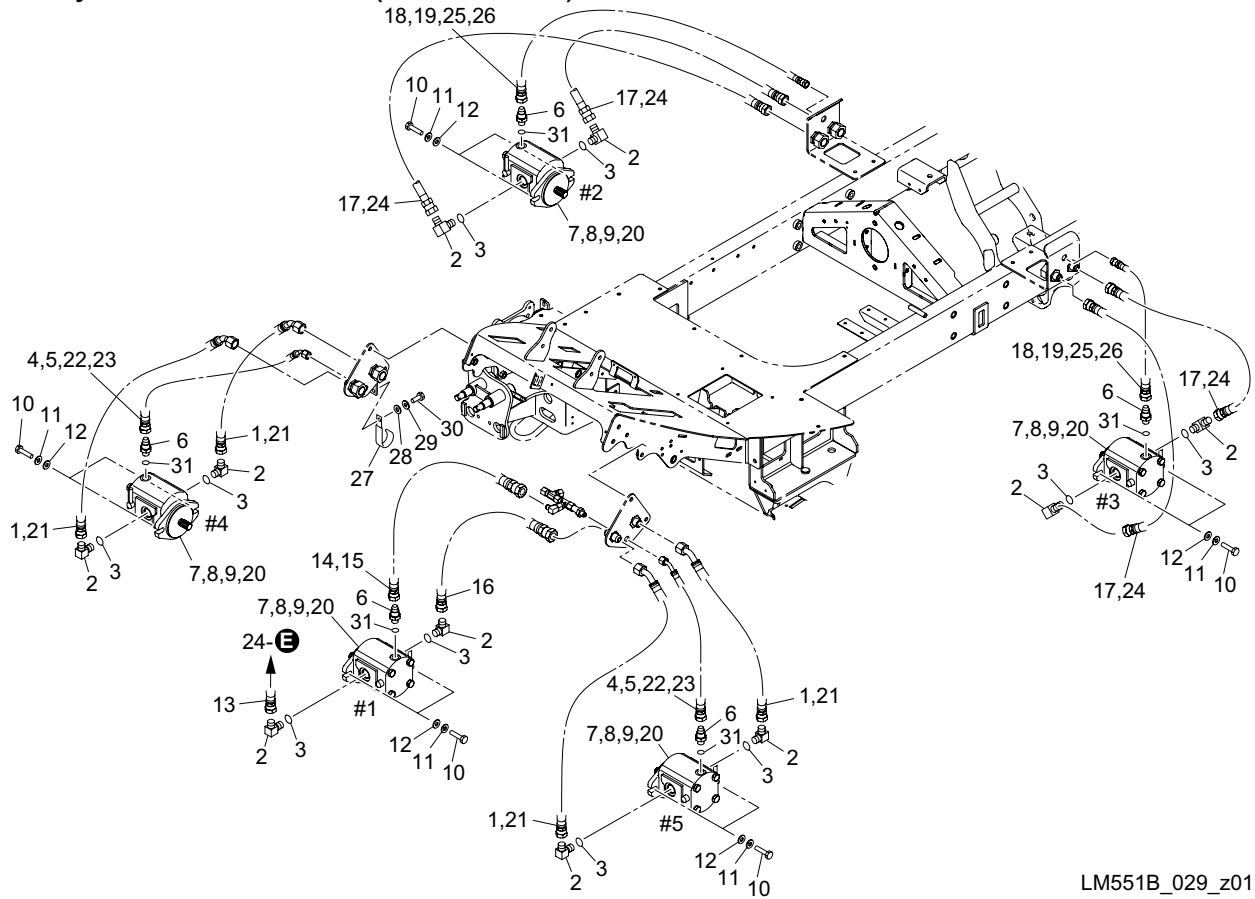


LM551B_029_z01

Cat No.	Code No.	Part name	Qty	Remark	SN of application
29-1	LM551--0863Z0	HOSE, WP210-12-1-1540	4	for 22inch	
29-2	K3008000042-Y	ELBOW, ADJUSTABLE 90 1086-12	10		
29-3	K0881018000	O-RING, P18B	10		
29-4	K3100221460	HOSE, WP35-6-2-1460	2	for 22inch	
29-5	K3189013900	TUBE, SPIRAL SP-10 1390	2	for 22inch	
29-6	K3008000232-Y	CONNECTOR, W/O-RING PF1/4*PF1/4	5		
29-7	K3282000080	MOTOR, GEAR PLM20.19	5		30001-32132
29a-7	K3282000130	MOTOR, GEAR PLM20.19M	5		32133-
29-8	K4203001300	DECAL, REEL ROTATION	5		
29-9	K4203001310	DECAL, REEL STOP	5		
29-10	K0008100302	BOLT, SMALL M10-30	10		
29-11	K0200100002	WASHER, SPRING M10	10		
29-12	K5000100002	WASHER, M10	10		
29-13	LM551--0864Z0	HOSE, WP210-12-1-2350	1		
29-14	K3100221780	HOSE, WP35-6-2-1780	1		
29-15	K3189017000	TUBE, SPIRAL SP-10 1700	1		
29-16	LM551--0865Z0	HOSE, WP210-12-1-1900	1		
29-17	LM551--0866Z0	HOSE, WP210-12-1-1100	4	for 22inch	
29-18	K3100211040	HOSE, WP35-6-1-1040	2	for 22inch	
29-19	K3189009700	TUBE, SPIRAL SP-10 970	2	for 22inch	
29-20	YCA62029050	SEAL KIT, MOTOR PLM20-01S9R	5		
29-21	LM551--1201Z0	HOSE, WP210-12-1-1660	4	for 26inch	
29-22	K3100221590	HOSE, WP35-6-2-1590	2	for 26inch	
29-23	K3189015100	TUBE, SPIRAL SP-10 1510	2	for 26inch	
29-24	LM551--1202Z0	HOSE, WP210-12-1-1200	4	for 26inch	
29-25	K3100211140	HOSE, WP35-6-1-1140	2	for 26inch	
29-26	K3189010700	TUBE, SPIRAL SP-10 1070	2	for 26inch	
29-27	K4270050080	CLIP, HARNESS 50 M8	1		
29-28	K5000080002	WASHER, M8	1		
29-29	K0200080002	WASHER, SPRING M8	1		

29. Hydraulic section J (LH6 & LS6)

LM551B

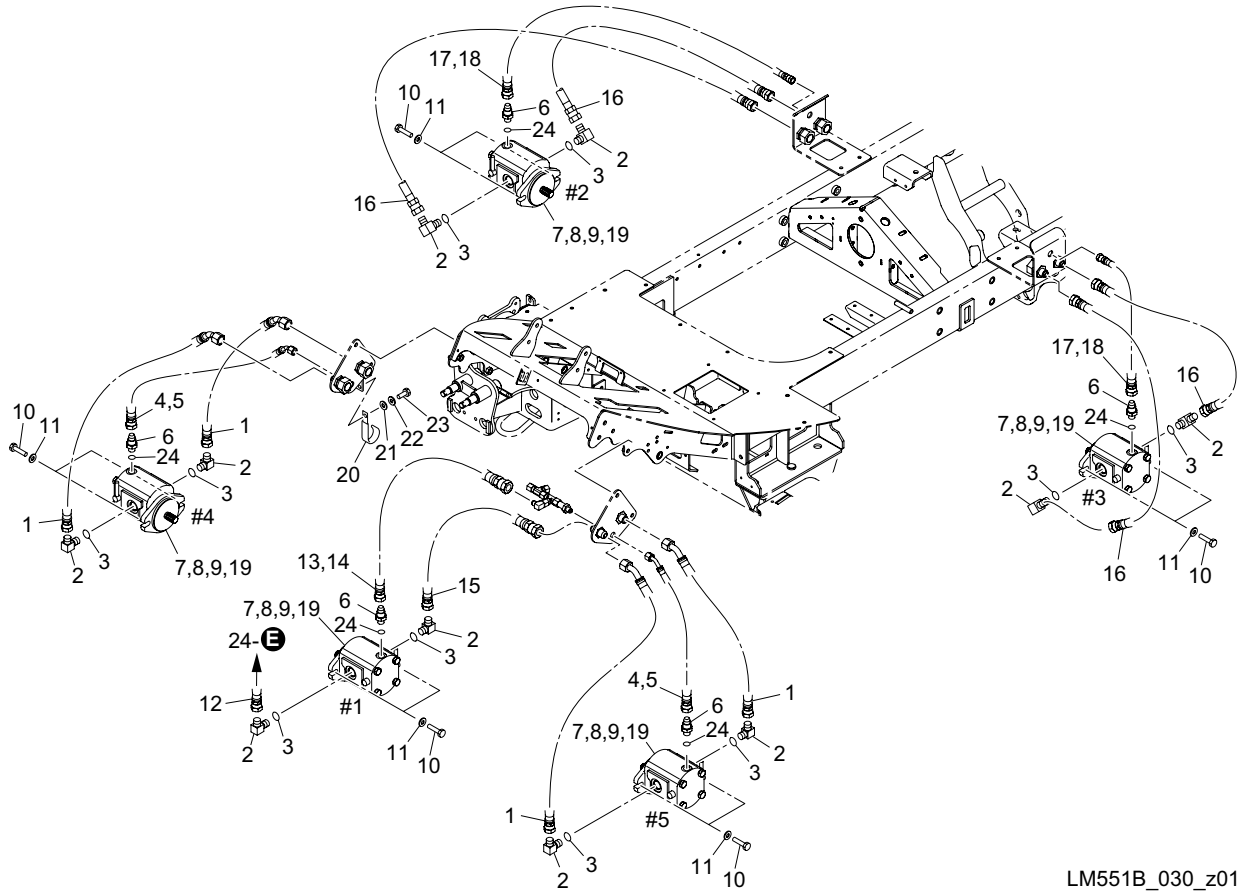


LM551B_029_z01

Cat No.	Code No.	Part name	Qty	Remark	SN of application
29-30	K0000080202	BOLT, M8-20	1		
29-31	K0881011000	O-RING, P11B	5		

30. Hydraulic section K (LH5)

LM551B

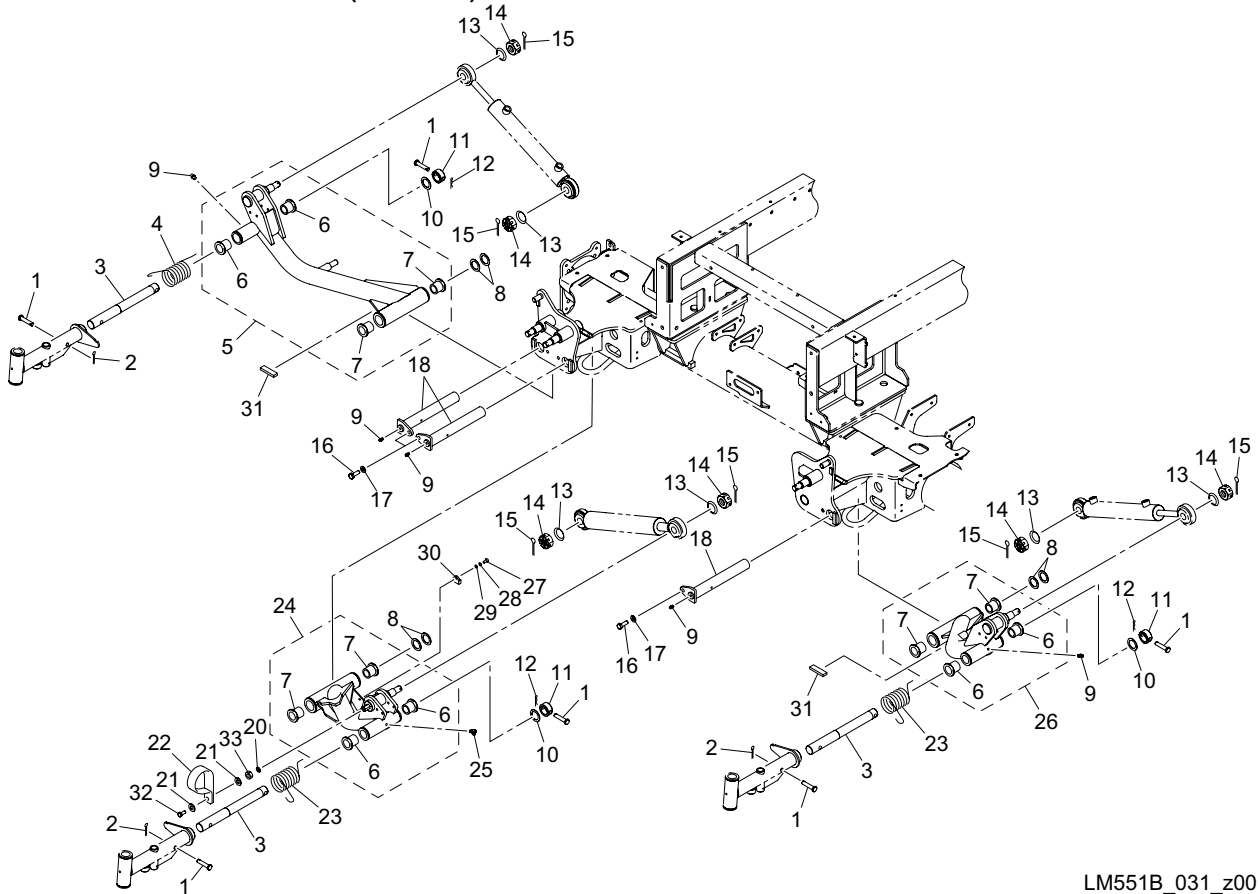


LM551B_030_z01

Cat No.	Code No.	Part name	Qty	Remark	SN of application
30-1	LM551--0863Z0	HOSE, WP210-12-1-1540	4		
30-2	K3008000192-Y	ADAPTER, ODD SIZED 90 PF1/2*PF3/8	10		
30-3	K0881014000	O-RING, P14B	10		
30-4	K3100221490	HOSE, WP35-6-2-1490	2		
30-5	K3189013900	TUBE, SPIRAL SP-10 1390	2		
30-6	K3008000232-Y	CONNECTOR, W/O-RING PF1/4*PF1/4	5		
30-7	K3282000090	MOTOR, GEAR PLM10.11,9	5		30001-32025
30a-7	K3282000110	MOTOR, GEAR PLM10.11,9M	5		32026-
30-8	K4203001300	DECAL, REEL ROTATION	5		
30-9	K4203001310	DECAL, REEL STOP	5		
30-10	K0008100302	BOLT, SMALL M10-30	10		
30-11	K0215100002	WASHER, DISK SPRING 2H M10	10		
30-12	LM551--0864Z0	HOSE, WP210-12-1-2350	1		
30-13	K3100221800	HOSE, WP35-6-2-1800	1		
30-14	K3189017000	TUBE, SPIRAL SP-10 1700	1		
30-15	LM551--0865Z0	HOSE, WP210-12-1-1900	1		
30-16	LM551--0866Z0	HOSE, WP210-12-1-1100	4		
30-17	K3100211070	HOSE, WP35-6-1-1070	2		
30-18	K3189009700	TUBE, SPIRAL SP-10 970	2		
30-19	YCA62029539	SEAL KIT, MOTOR	5		
30-20	K4270050080	CLIP, HARNESS 50 M8	1		
30-21	K5000080002	WASHER, M8	1		
30-22	K0200080002	WASHER, SPRING M8	1		
30-23	K0000080202	BOLT, M8-20	1		
30-24	K0881011000	O-RING, P11B	5		

31. Lift arm section A (22inch)

LM551B

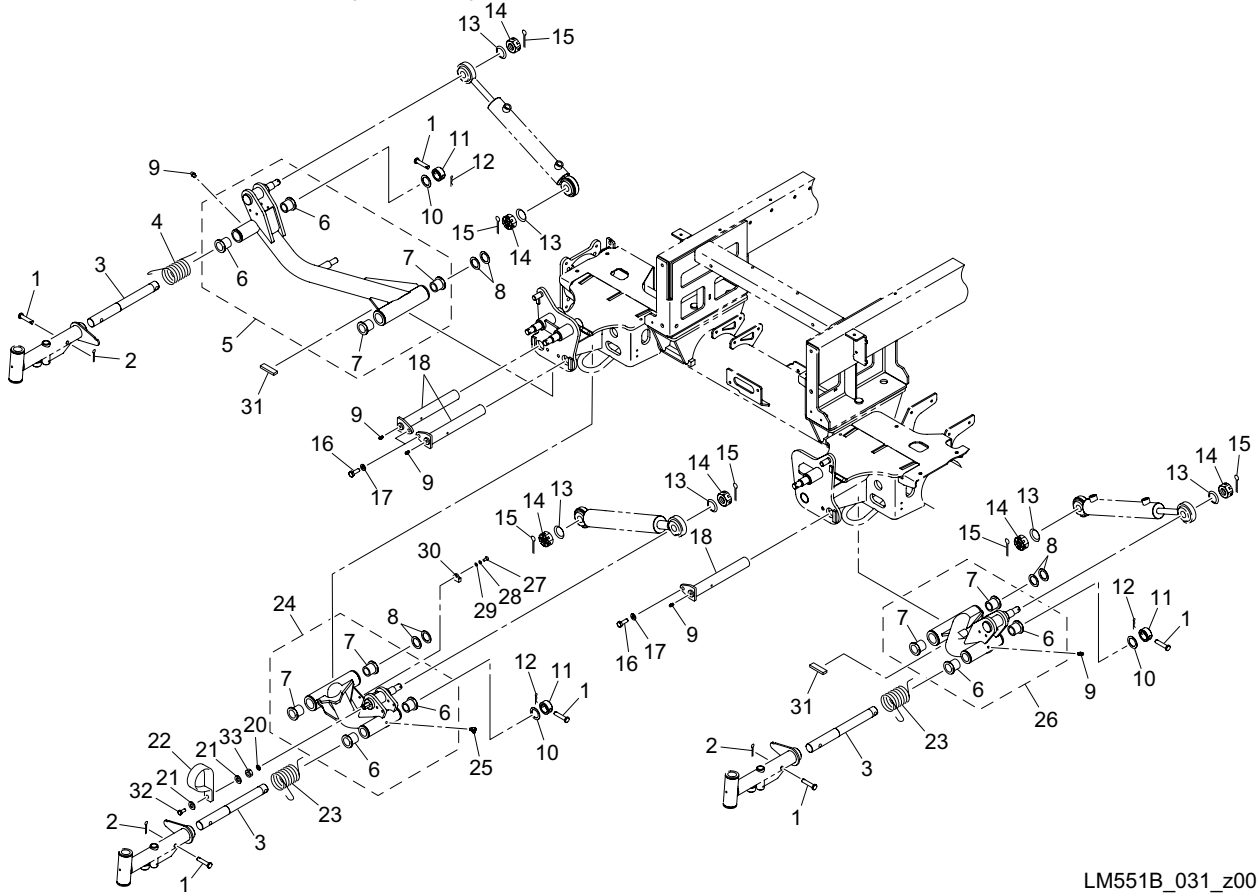


LM551B_031_z00

Cat No.	Code No.	Part name	Qty	Remark	SN of application
31-1	K6031090458	PIN, FLAT HEAD HT M9.6-45.5	6		
31-2	K0300025202	PIN, COTTER M2.5-20	3		
31-3	LM2700-0202Z0	SHAFT	3		
31-4	K1050000228	SPRING, TORSION M5 (RH)	1		
31-5	LM551--1604ZD	ARM, LIFT #4 MOWER	1		
31-6	K6010000150	BUSH, FLANGED 25-32-30	6		
31-7	K6010000140	BUSH, FLANGED 30-38-30	6		
31-8	K5051030420	WASHER, C5191P 1-30-42	3-6	for adjustment	
31-9	K1440000010	GREASE NIPPLE, STRAIGHT TYPE A	5		
31-10	K5011025372	WASHER, SPCC 1-25.4-37	3		
31-11	K6215000412	COLLAR, STKM W/HOLE M25.5-36-16	3		
31-12	K0341000002	PIN, SNAP W/RETAINER M10	3		
31-13	K0215160001	WASHER, DISK SPRING 2H M16	6		
31-14	K0122160002	NUT, HIGH SLOTTED P1.5 M16	6		
31-15	K0300032402	PIN, COTTER M3.2-40	6		
31-16	K0000100252	BOLT, M10-25	3		
31-17	K0200100002	WASHER, SPRING M10	3		
31-18	LM551--1606Z2	PIN, LOCKING ROTATION 30-210	3		
31-19					
31-20	K0200080002	WASHER, SPRING M8	1		
31-21	K5000080002	WASHER, M8	2		
31-22	K4270050080	CLIP, HARNESS 50 M8	1		
31-23	K1050000218	SPRING, TORSION M5 (LH)	2		
31-24	LM551--1601ZD	ARM, LIFT #1 MOWER	1		
31-25	K1440000030	GREASE NIPPLE, TYPE B	1		
31-26	LM551--1605ZD	ARM, LIFT #5 MOWER	1		
31-27	K0000050152	BOLT, M5-15	1		
31-28	K0200050002	WASHER, SPRING M5	1		
31-29	K5000050002	WASHER, M5	1		
31-30	K1510000110	MAGNET, W/PLASTIC BASE	1		

31. Lift arm section A (22inch)

LM551B

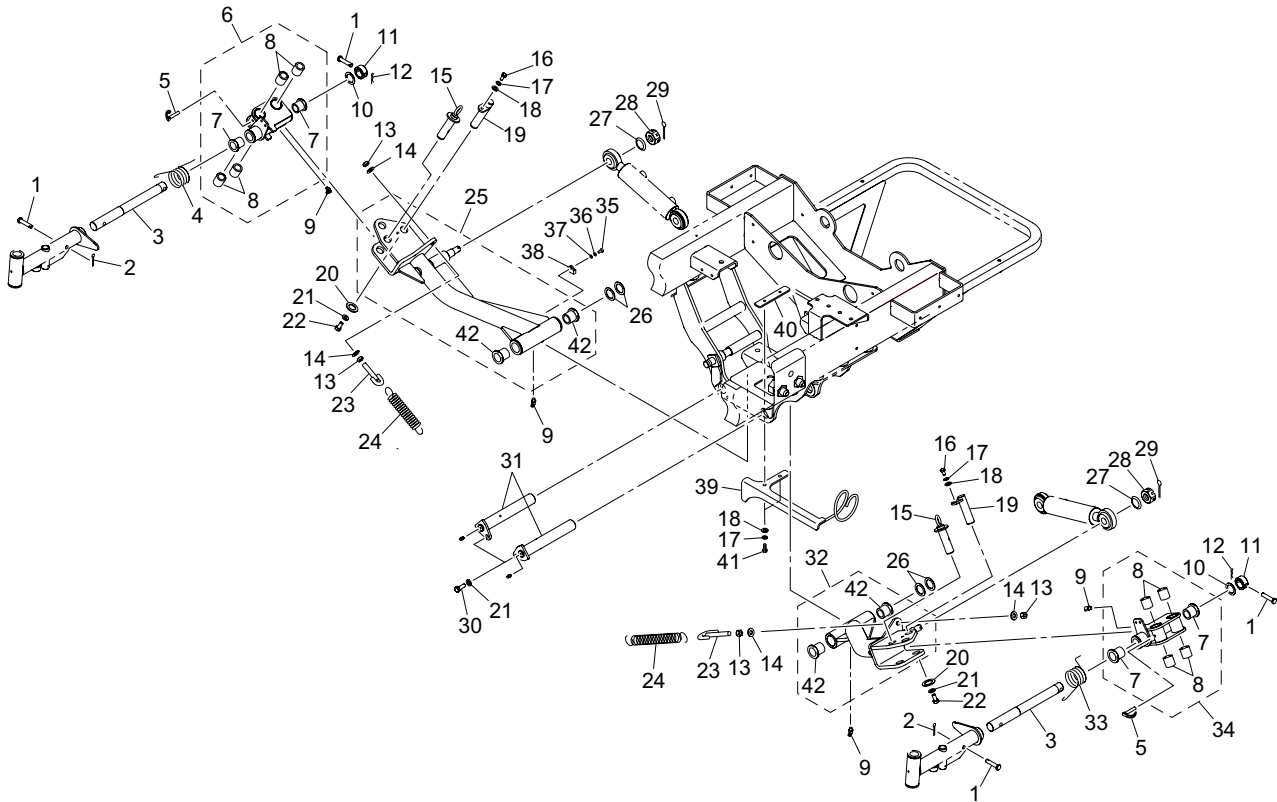


LM551B_031_z00

Cat No.	Code No.	Part name	Qty	Remark	SN of application
31-31	LM2400-0639Z0	MAGNET, FOR PROXIMITY SWITCH	2		
31-32	K0000080252	BOLT, M8-25	1		
31-33	K0100080002	NUT, M8	1		

32. Lift arm section B (22inch)

LM551B

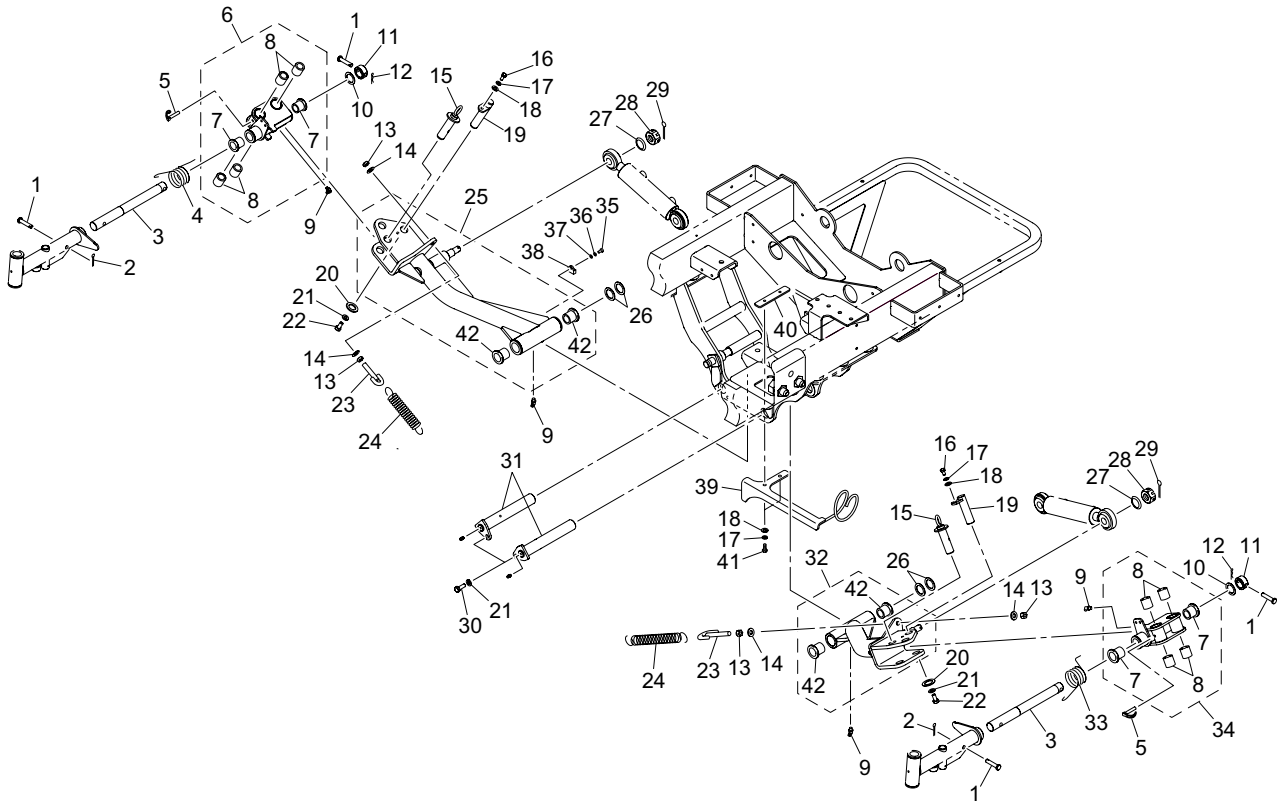


LM551B_032_z02

Cat No.	Code No.	Part name	Qty	Remark	SN of application
32-1	K6031090458	PIN, FLAT HEAD HT M9.6-45.5	4		
32-2	K0300025202	PIN, COTTER M2.5-20	2		
32-3	LM551--1612Z0	SHAFT, 282	2		
32-4	K1050000248	SPRING, TORSION M5 SHORT (RH)	1		
32-5	K0450000040	PIN, PIPE 6*45	2		
32-6	LM551--1609ZD	JOINT, SLEWING MOWER (RH)	1		
32-7	K6010000150	BUSH, FLANGED 25-32-30	4		
32-8	K6000000590	BUSH, PLASTIC 22-28-20	8		
32-9	K1440000030	GREASE NIPPLE, TYPE B	4		
32-10	K5011025372	WASHER, SPCC 1-25.4-37	2		
32-11	K6215000412	COLLAR, STKM W/HOLE M25.5-36-16	2		
32-12	K0341000002	PIN, SNAP W/RETAINER M10	2		
32-13	K0100100002	NUT, M10	4		
32-14	K5000100002	WASHER, M10	4		
32-15	LM551--1611Z2	PIN, W/GRIP	2		
32-16	K0000080152	BOLT, M8-15	2		
32-17	K0200080002	WASHER, SPRING M8	4		
32-18	K5000080002	WASHER, M8	4		
32-19	LM551--1610Z2	SHAFT, SLEWING FULCRUM	2		
32-20	K5073210352	WASHER, SPHC 3.2-10-35	2		
32-21	K0200100002	WASHER, SPRING M10	4		
32-22	K0000100152	BOLT, M10-15	2		
32-23	LM551--1617Z2	HOOK, SECURING SPRING	2		
32-24	K1020000228	SPRING, W/ROUND HOOK M4.5-38-247	2		
32-25	LM551--1602ZD	ARM, LIFT #2 MOWER	1		
32-26	K5051030420	WASHER, C5191P 1-30-42	2-4	for adjustment	
32-27	K0215160001	WASHER, DISK SPRING 2H M16	2		
32-28	K0122160002	NUT, HIGH SLOTTED P1.5 M16	2		
32-29	K0300032402	PIN, COTTER M3.2-40	2		
32-30	K0000100252	BOLT, M10-25	2		

32. Lift arm section B (22inch)

LM551B

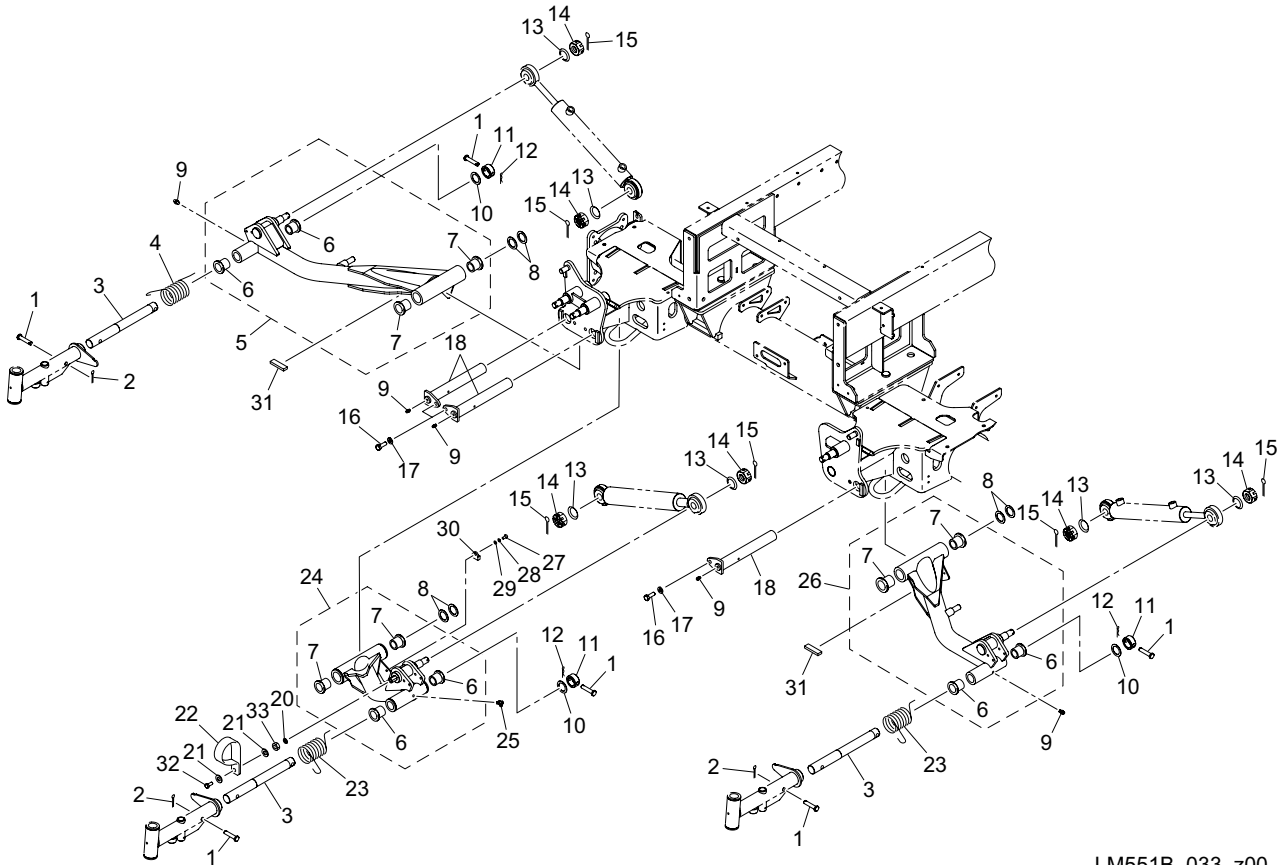


LM551B_032_z02

Cat No.	Code No.	Part name	Qty	Remark	SN of application
32-31	LM551--1607Z2	PIN, LOCKING ROTATION 30-195	2		
32-32	LM551--1603ZD	ARM, LIFT #3 MOWER	1		
32-33	K1050000238	SPRING, TORSION M5 SHORT (LH)	1		
32-34	LM551--1608ZD	JOINT, SLEWING MOWER (LH)	1		
32-35	K0000050152	BOLT, M5-15	1		
32-36	K0200050002	WASHER, SPRING M5	1		
32-37	K5000050002	WASHER, M5	1		
32-38	K1510000110	MAGNET, W/PLASTIC BASE	1		
32-39	LM551B-1402ZD	GUIDE, HOSE	1		
32-40	LM551B-1403Z2	PLATE, W/ 2-M8	1		
32-41	K0000080252	BOLT, M8-25	2		
32-42	K6010000140	BUSH, FLANGED 30-38-30	4		

33. Lift arm section A (26inch)

LM551B

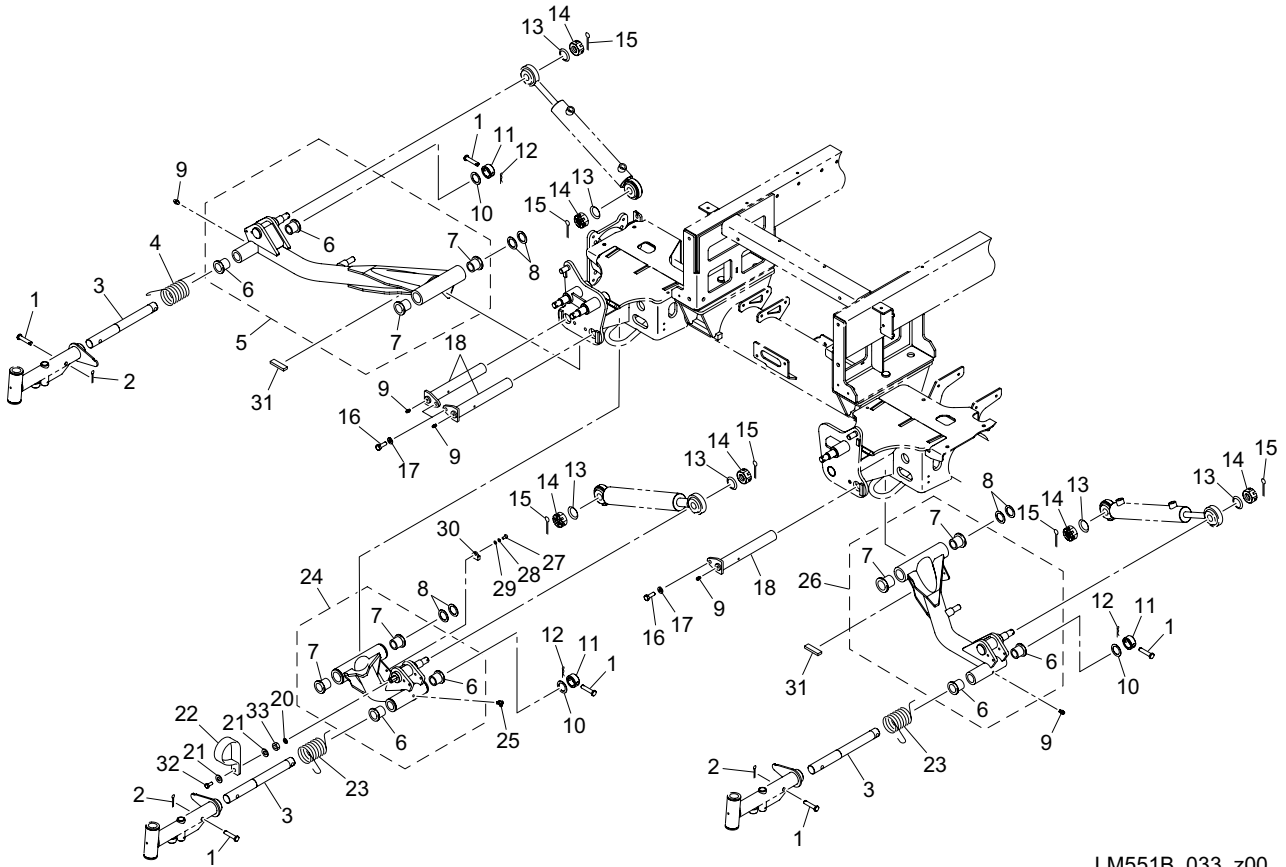


LM551B_033_z00

Cat No.	Code No.	Part name	Qty	Remark	SN of application
33-1	K6031090458	PIN, FLAT HEAD HT M9.6-45.5	6		
33-2	K0300025202	PIN, COTTER M2.5-20	3		
33-3	LM2700-0202Z0	SHAFT	3		
33-4	K1050000228	SPRING, TORSION M5 (RH)	1		
33-5	LM551--0204ZD	ARM, LIFT #4 MOWER (26)	1		
33-6	K6010000150	BUSH, FLANGED 25-32-30	6		
33-7	K6010000140	BUSH, FLANGED 30-38-30	6		
33-8	K5051030420	WASHER, C5191P 1-30-42	3-6	for adjustment	
33-9	K1440000010	GREASE NIPPLE, STRAIGHT TYPE A	5		
33-10	K5011025372	WASHER, SPCC 1-25.4-37	3		
33-11	K6215000412	COLLAR, STKM W/HOLE M25.5-36-16	3		
33-12	K0341000002	PIN, SNAP W/RETAINER M10	3		
33-13	K0215160001	WASHER, DISK SPRING 2H M16	6		
33-14	K0122160002	NUT, HIGH SLOTTED P1.5 M16	6		
33-15	K0300032402	PIN, COTTER M3.2-40	6		
33-16	K0000100252	BOLT, M10-25	3		
33-17	K0200100002	WASHER, SPRING M10	3		
33-18	LM551--1606Z2	PIN, LOCKING ROTATION 30-210	3		
33-19					
33-20	K0200080002	WASHER, SPRING M8	1		
33-21	K5000080002	WASHER, M8	2		
33-22	K4270050080	CLIP, HARNESS 50 M8	1		
33-23	K1050000218	SPRING, TORSION M5 (LH)	2		
33-24	LM551--1601ZD	ARM, LIFT #1 MOWER	1		
33-25	K1440000030	GREASE NIPPLE, TYPE B	1		
33-26	LM551--0205ZD	ARM, LIFT #5 MOWER (26)	1		
33-27	K0000050152	BOLT, M5-15	1		
33-28	K0200050002	WASHER, SPRING M5	1		
33-29	K5000050002	WASHER, M5	1		
33-30	K1510000110	MAGNET, W/PLASTIC BASE	1		

33. Lift arm section A (26inch)

LM551B

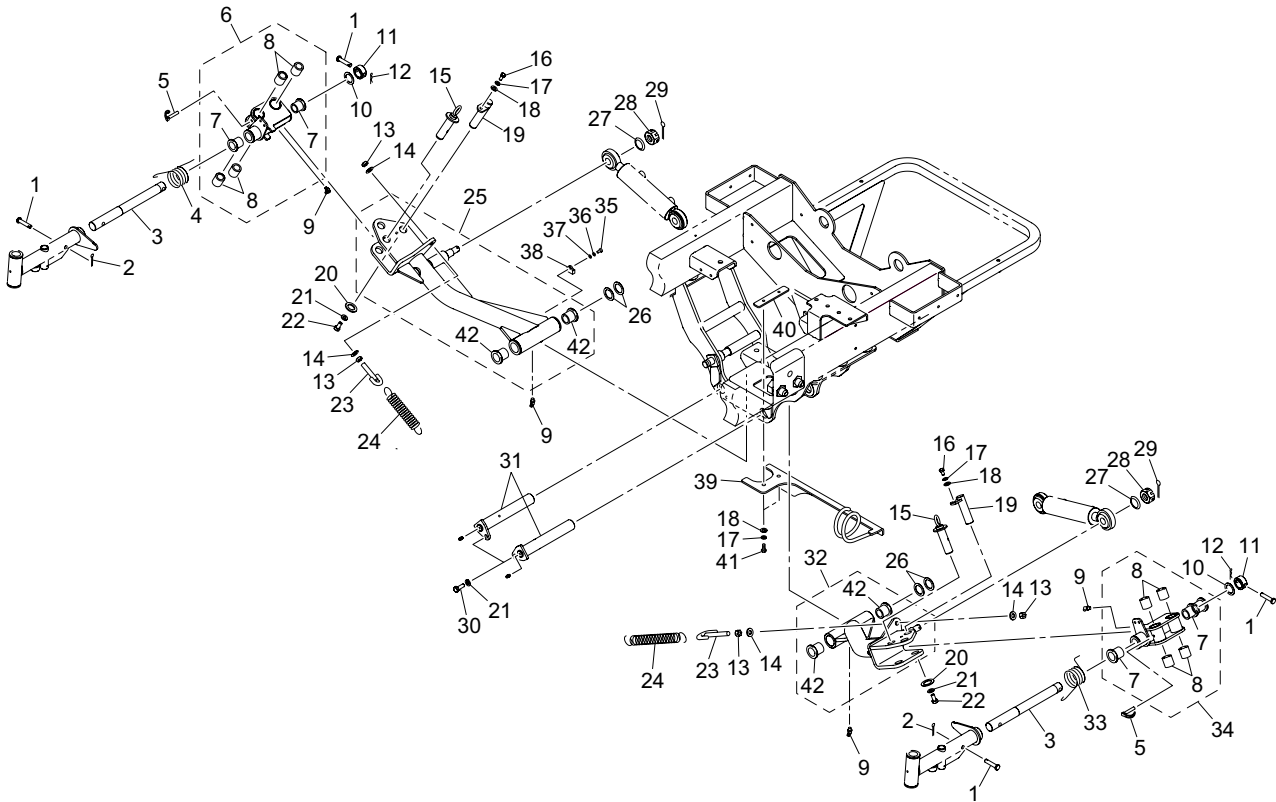


LM551B_033_z00

Cat No.	Code No.	Part name	Qty	Remark	SN of application
33-31	LM2400-0639Z0	MAGNET, FOR PROXIMITY SWITCH	2		
33-32	K0000080252	BOLT, M8-25	1		
33-33	K0100080002	NUT, M8	1		

34. Lift arm section B (26inch)

LM551B

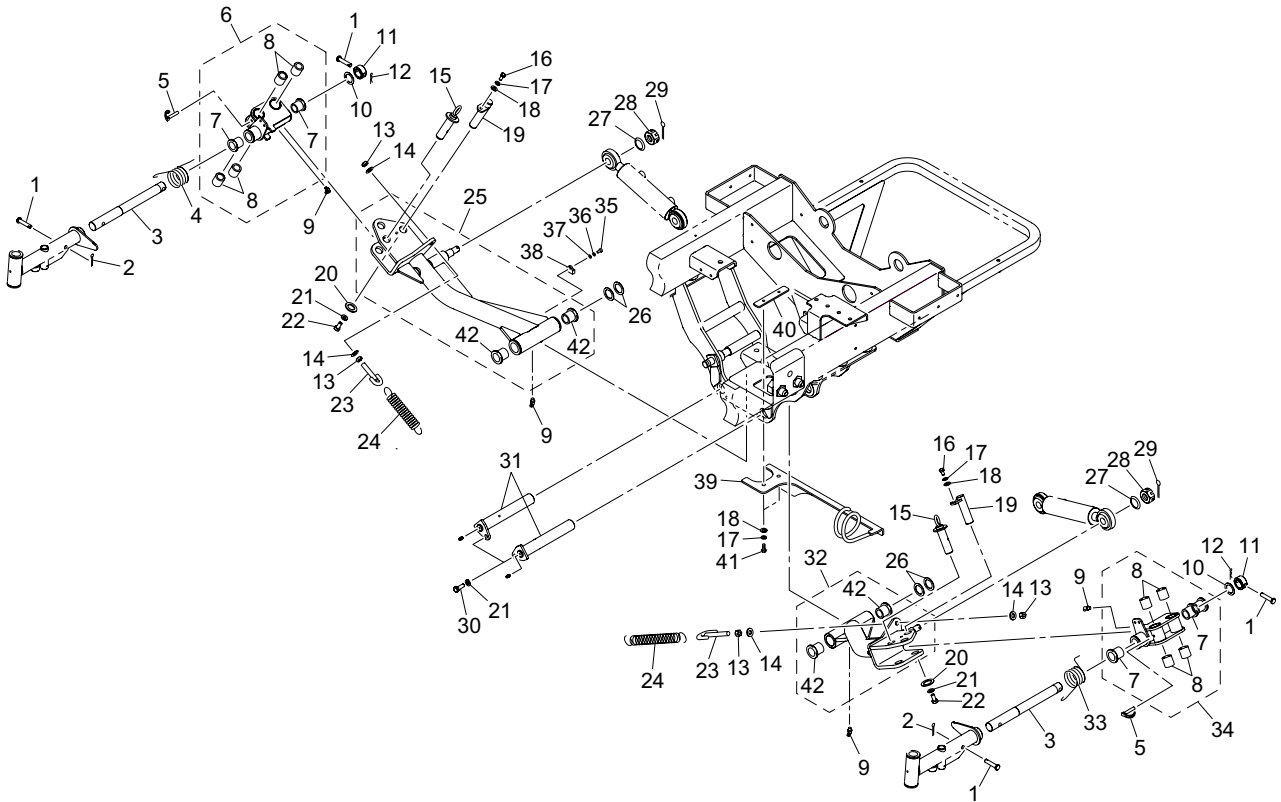


LM551B_034_z02

Cat No.	Code No.	Part name	Qty	Remark	SN of application
34-1	K6031090458	PIN, FLAT HEAD HT M9.6-45.5	4		
34-2	K0300025202	PIN, COTTER M2.5-20	2		
34-3	LM551--1612Z0	SHAFT, 282	2		
34-4	K1050000248	SPRING, TORSION M5 SHORT (RH)	1		
34-5	K0450000040	PIN, PIPE 6*45	2		
34-6	LM551--1609ZD	JOINT, SLEWING MOWER (RH)	1		
34-7	K6010000150	BUSH, FLANGED 25-32-30	4		
34-8	K6000000590	BUSH, PLASTIC 22-28-20	8		
34-9	K1440000030	GREASE NIPPLE, TYPE B	4		
34-10	K5011025372	WASHER, SPCC 1-25.4-37	2		
34-11	K6215000412	COLLAR, STKM W/HOLE M25.5-36-16	2		
34-12	K0341000002	PIN, SNAP W/RETAINER M10	2		
34-13	K0100100002	NUT, M10	4		
34-14	K5000100002	WASHER, M10	4		
34-15	LM551--1611Z2	PIN, W/GRIP	2		
34-16	K0000080152	BOLT, M8-15	2		
34-17	K0200080002	WASHER, SPRING M8	4		
34-18	K5000080002	WASHER, M8	4		
34-19	LM551--1610Z2	SHAFT, SLEWING FULCRUM	2		
34-20	K5073210352	WASHER, SPHC 3.2-10-35	2		
34-21	K0200100002	WASHER, SPRING M10	4		
34-22	K0000100152	BOLT, M10-15	2		
34-23	LM551--1617Z2	HOOK, SECURING SPRING	2		
34-24	K1020000228	SPRING, W/ROUND HOOK M4.5-38-247	2		
34-25	LM551--1602ZD	ARM, LIFT #2 MOWER	1		
34-26	K5051030420	WASHER, C5191P 1-30-42	2-4	for adjustment	
34-27	K0215160001	WASHER, DISK SPRING 2H M16	2		
34-28	K0122160002	NUT, HIGH SLOTTED P1.5 M16	2		
34-29	K0300032402	PIN, COTTER M3.2-40	2		
34-30	K0000100252	BOLT, M10-25	2		

34. Lift arm section B (26inch)

LM551B

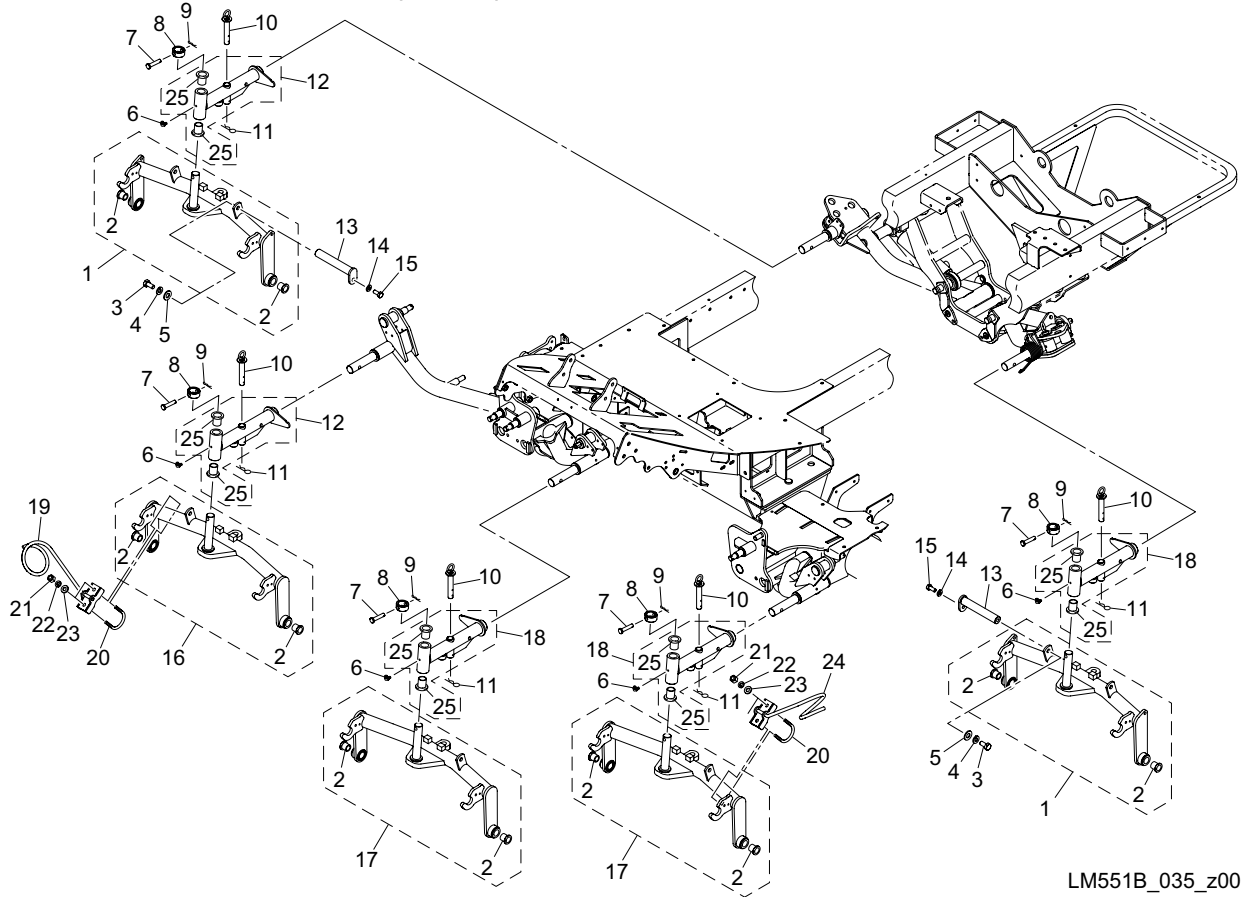


LM551B_034_z02

Cat No.	Code No.	Part name	Qty	Remark	SN of application
34-31	LM551--1607Z2	PIN, LOCKING ROTATION 30-195	2		
34-32	LM551--1603ZD	ARM, LIFT #3 MOWER	1		
34-33	K1050000238	SPRING, TORSION M5 SHORT (LH)	1		
34-34	LM551--1608ZD	JOINT, SLEWING MOWER (LH)	1		
34-35	K0000050152	BOLT, M5-15	1		
34-36	K0200050002	WASHER, SPRING M5	1		
34-37	K5000050002	WASHER, M5	1		
34-38	K1510000110	MAGNET, W/PLASTIC BASE	1		
34-39	LM551B-1502ZD	GUIDE, HOSE 26	1		
34-40	LM551B-1403Z2	PLATE, W/ 2-M8	1		
34-41	K0000080252	BOLT, M8-25	2		
34-42	K6010000140	BUSH, FLANGED 30-38-30	4		

35. Mower arm section A (LH62)

LM551B

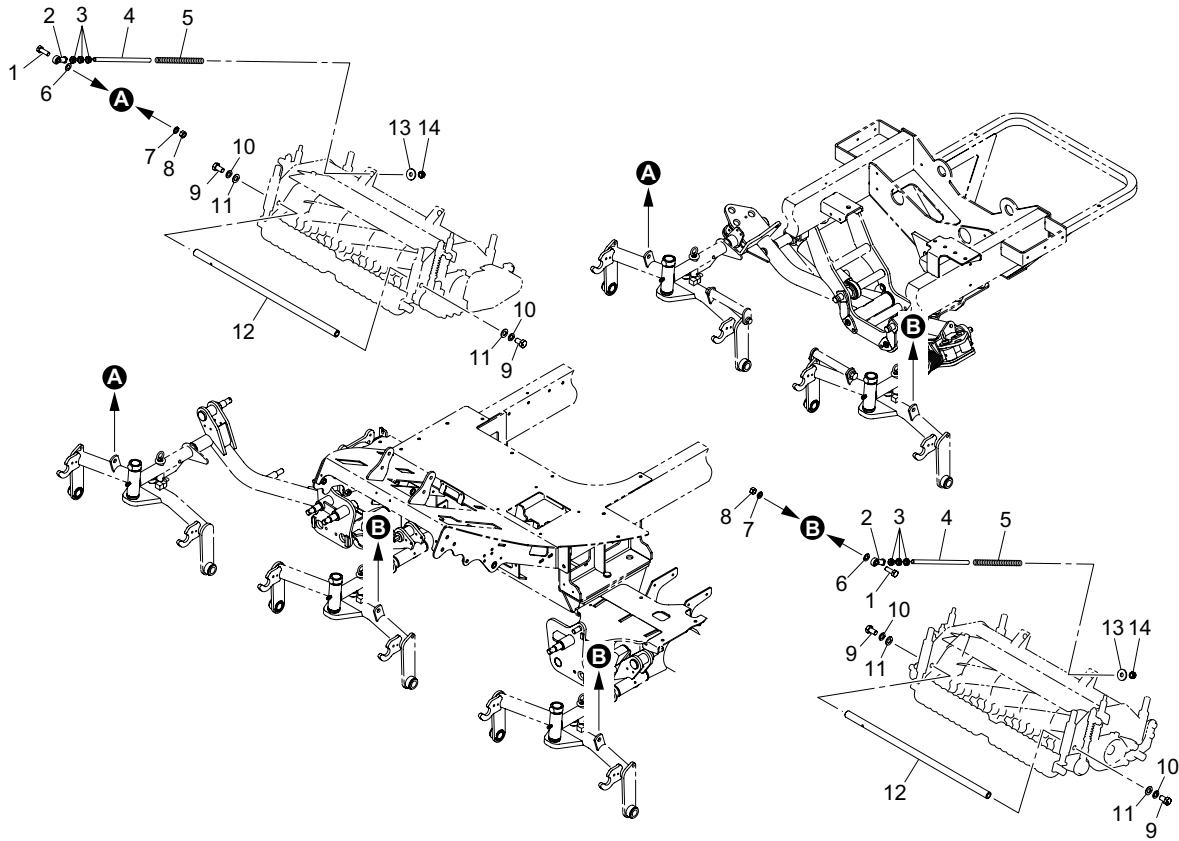


LM551B_035_z00

Cat No.	Code No.	Part name	Qty	Remark	SN of application
35-1	LM551--1703ZR	ARM, MOWER LH62 #2&3	2		
35-2	K6010000130	BUSH, FLANGED 22-28-30	10		
35-3	K0000120202	BOLT, M12-20	2		
35-4	K0200120002	WASHER, SPRING M12	2		
35-5	K5000120002	WASHER, M12	2		
35-6	K1440000010	GREASE NIPPLE, STRAIGHT TYPE A	5		
35-7	K6031090458	PIN, FLAT HEAD HT M9.6-45.5	5		
35-8	K6215000412	COLLAR, STKM W/HOLE M25.5-36-16	5		
35-9	K0341000002	PIN, SNAP W/RETAINER M10	5		
35-10	LM2700-0204A2	PIN, LOCKING	5		
35-11	K0332200008	PIN, SNAP M22	5		
35-12	LM551--1705ZR	CONNECTOR, MOWER (RH)	2		
35-13	LM551--1707Z2	GUIDE, MOWER STOPPER #2&3	2		
35-14	K0200100002	WASHER, SPRING M10	2		
35-15	K0000100202	BOLT, M10-20	2		
35-16	LM551--1702ZR	ARM, MOWER LH62 (RH)	1		
35-17	LM551--1701ZR	ARM, MOWER LH62 (LH)	2		
35-18	LM551--1704ZR	CONNECTOR, MOWER (LH)	3		
35-19	LM551--0111ZR	GUIDE, HOSE #4	1		30273-
35-20	K0073000052	BOLT, W/F-RING M8-40A	2		30273-
35-21	K0110080002	NUT, BOX M8	4		30273-
35-22	K0200080002	WASHER, SPRING M8	4		30273-
35-23	K5000080002	WASHER, M8	4		30273-
35-24	LM551--0112ZR	GUIDE, HOSE #5	1		30273-
35-25	K6010000150	BUSH, FLANGED 25-32-30	10		

36. Mower arm section B (LH62)

LM551B

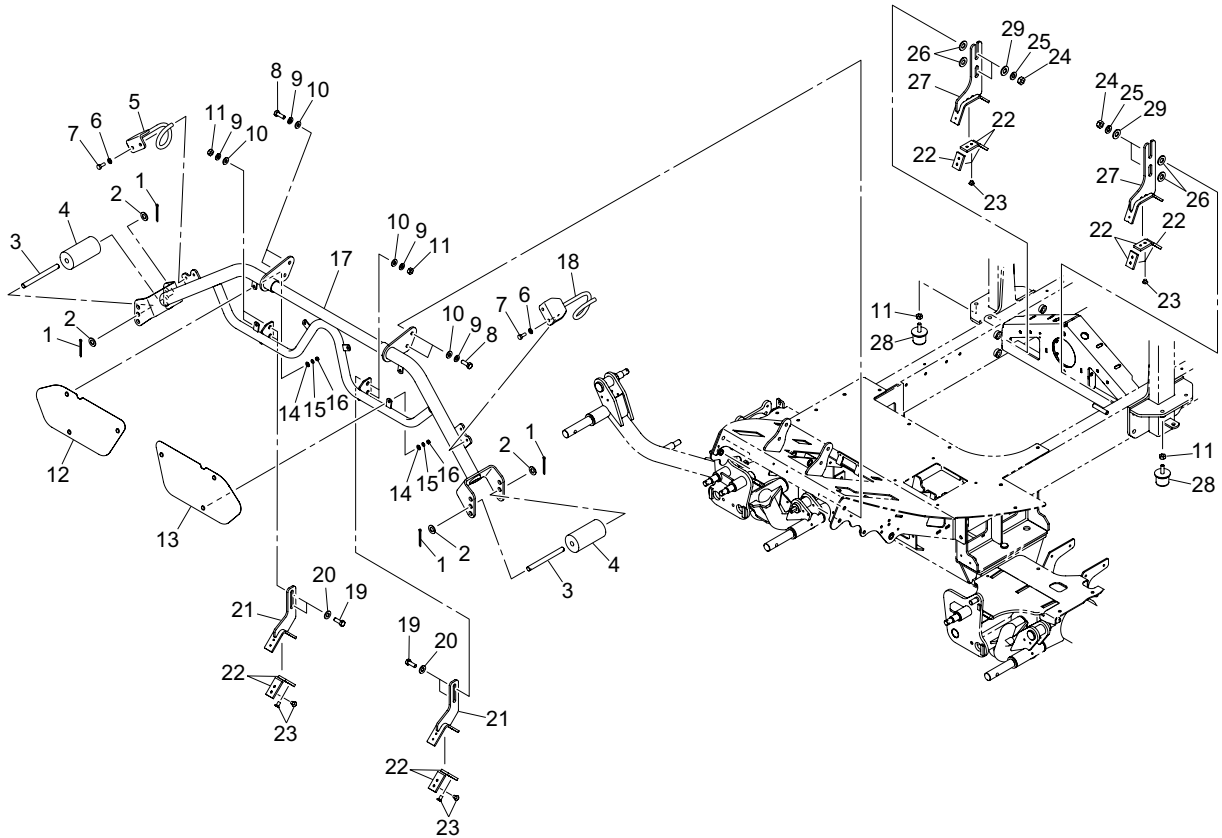


LM551B_036_z00

Cat No.	Code No.	Part name	Qty	Remark	SN of application
36-1	K0000120402	BOLT, M12-40	5		
36-2	K1607120000	JOINT, SPHERICAL PHS12EC	5		
36-3	K0102120002	NUT, M12-3	15		
36-4	LM331--0121Z2	SHAFT, SCREWED M12-280	5		
36-5	K1000000998	SPRING, COMPRESSION M2-18-200	5		
36-6	K5000120002	WASHER, M12	5		
36-7	K0200120002	WASHER, SPRING M12	5		
36-8	K0100120002	NUT, M12	5		
36-9	K0001140252	BOLT, P1.5 M14-25	10		
36-10	K0200140002	WASHER, SPRING M14	10		
36-11	K5000140002	WASHER, M14	10		
36-12	LM2700-2106A8	STAY, FRONT 22	5		
36-13	K5073212352	WASHER, SPHC 3.2-12-35	5		
36-14	K0144120002	NUT, W/F-RING M12	5		

37. Mower arm section C (LH62)

LM551B

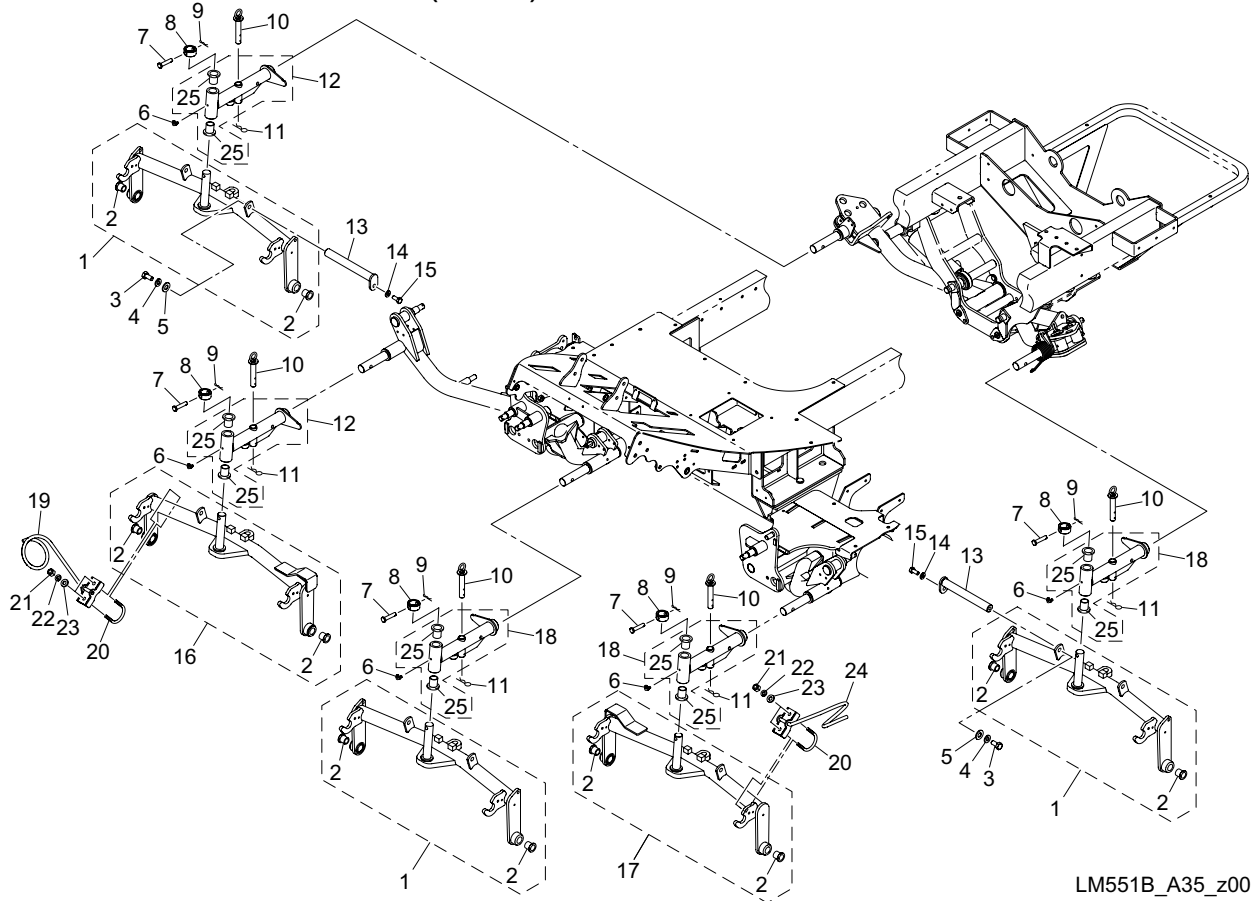


LM551B_037_z00

Cat No.	Code No.	Part name	Qty	Remark	SN of application
37-1	K0300032222	PIN, COTTER M3.2-22	4		
37-2	K5000140002	WASHER, M14	4		
37-3	GM2800-0629Z2	SHAFT, ROLLER 155	2		
37-4	GM2800-0628Z0	RUBBER, ROLLER 120	2		
37-5	LM551--1807ZD	GUIDE, HOSE (RH)	1		
37-6	K0200080002	WASHER, SPRING M8	4		
37-7	K0000080202	BOLT, M8-20	4		
37-8	K0000100252	BOLT, M10-25	4		30001-30551
37a-8	K0000100302	BOLT, M10-30	4		30552-
37-9	K0200100002	WASHER, SPRING M10	8		
37-10	K5000100002	WASHER, M10	8		
37-11	K0100100002	NUT, M10	6		
37-12	LM551--1809ZD	PANEL, FRONT (RH)	1		
37-13	LM551--1808ZD	PANEL, FRONT (LH)	1		
37-14	K5000060002	WASHER, M6	6		
37-15	K0200060002	WASHER, SPRING M6	6		
37-16	K0100060002	NUT, M6	6		
37-17	LM551--1708AD	GUIDE, #4, #5 MOWER UNIT (LH6)	1		
37-18	LM551--1806ZD	GUIDE, HOSE (LH)	1		
37-19	K0000100352	BOLT, M10-35	4		
37-20	K5073210352	WASHER, SPHC 3.2-10-35	4		
37-21	LM551--1810BD	STOPPER, MOWER #1	2		
37-22	LM526A-0107Z0	STOPPER	10		
37-23	K0041060122	SCREW, + FLAT HEAD M6-12	20		
37-24	K0100120002	NUT, M12	4		
37-25	K0200120002	WASHER, SPRING M12	4		
37-26	K5000120002	WASHER, M12	4		
37-27	LM551--1711ZD	GUIDE, MOWER STOPPER #2&3 (LH6)	2		
37-28	K4049050000	STOPPER, RUBBER KI-50	2		
37-29	K5090000832	WASHER, TOOTHED	4		

A35. Mower arm section A (LH66)

LM551B

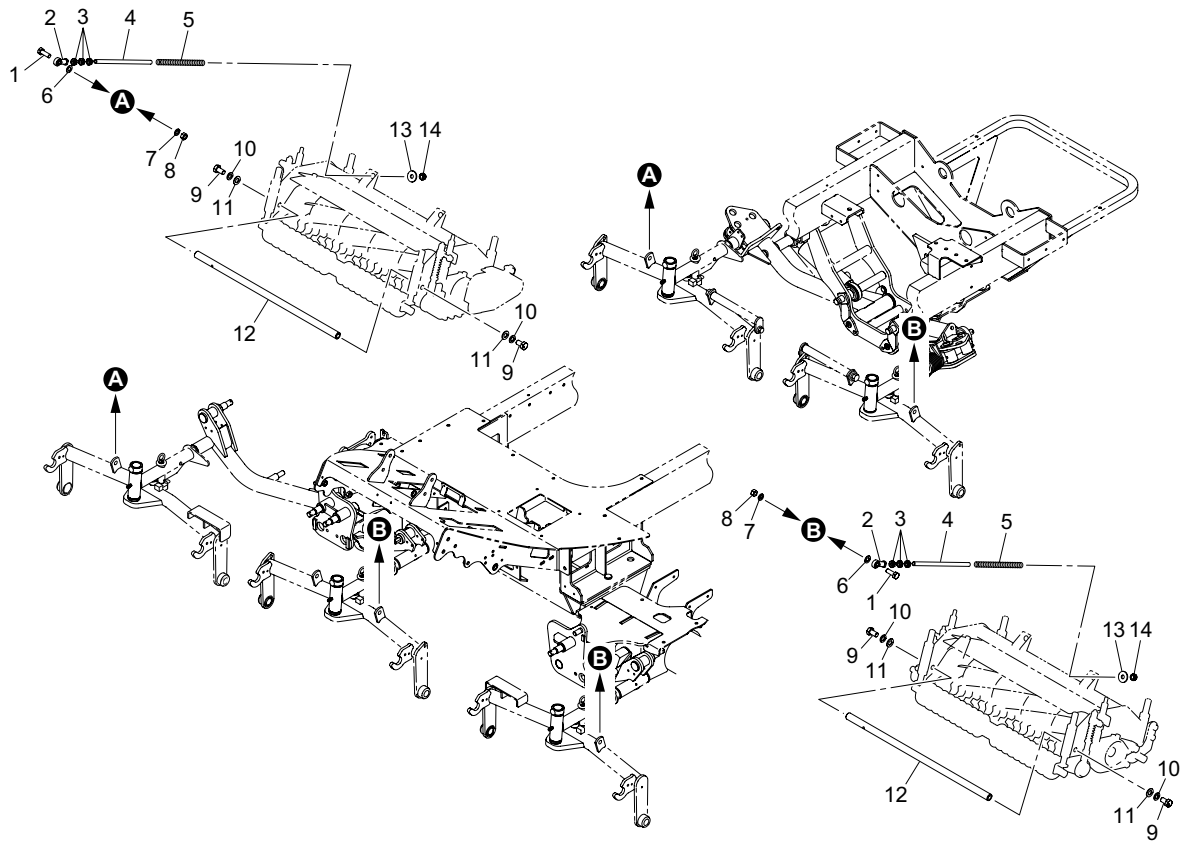


LM551B_A35_z00

Cat No.	Code No.	Part name	Qty	Remark	SN of application
A35-1	LM551--0101ZR	ARM, #1&2&3, LH66	3		
A35-2	K6010000130	BUSH, FLANGED 22-28-30	10		
A35-3	K0000120202	BOLT, M12-20	2		
A35-4	K0200120002	WASHER, SPRING M12	2		
A35-5	K5000120002	WASHER, M12	2		
A35-6	K1440000010	GREASE NIPPLE, STRAIGHT TYPE A	5		
A35-7	K6031090458	PIN, FLAT HEAD HT M9.6-45.5	5		
A35-8	K6215000412	COLLAR, STKM W/HOLE M25.5-36-16	5		
A35-9	K0341000002	PIN, SNAP W/RETAINER M10	5		
A35-10	LM2700-0204A2	PIN, LOCKING	5		
A35-11	K0332200008	PIN, SNAP M22	5		
A35-12	LM551--1705ZR	CONNECTOR, MOWER (RH)	2		
A35-13	LM551--0104Z2	GUIDE, MOWER STOPPER (LH66)	2		
A35-14	K0200100002	WASHER, SPRING M10	2		
A35-15	K0000100202	BOLT, M10-20	2		
A35-16	LM551--0102AR	ARM, #4, LH66	1		
A35-17	LM551--0103AR	ARM, #5, LH66	1		
A35-18	LM551--1704ZR	CONNECTOR, MOWER (LH)	3		
A35-19	LM551--0111ZR	GUIDE, HOSE #4	1		30273-
A35-20	K0073000052	BOLT, W/F-RING M8-40A	2		30273-
A35-21	K0110080002	NUT, BOX M8	4		30273-
A35-22	K0200080002	WASHER, SPRING M8	4		30273-
A35-23	K5000080002	WASHER, M8	4		30273-
A35-24	LM551--0112ZR	GUIDE, HOSE #5	1		30273-
A35-25	K6010000150	BUSH, FLANGED 25-32-30	10		

A36. Mower arm section B (LH66)

LM551B

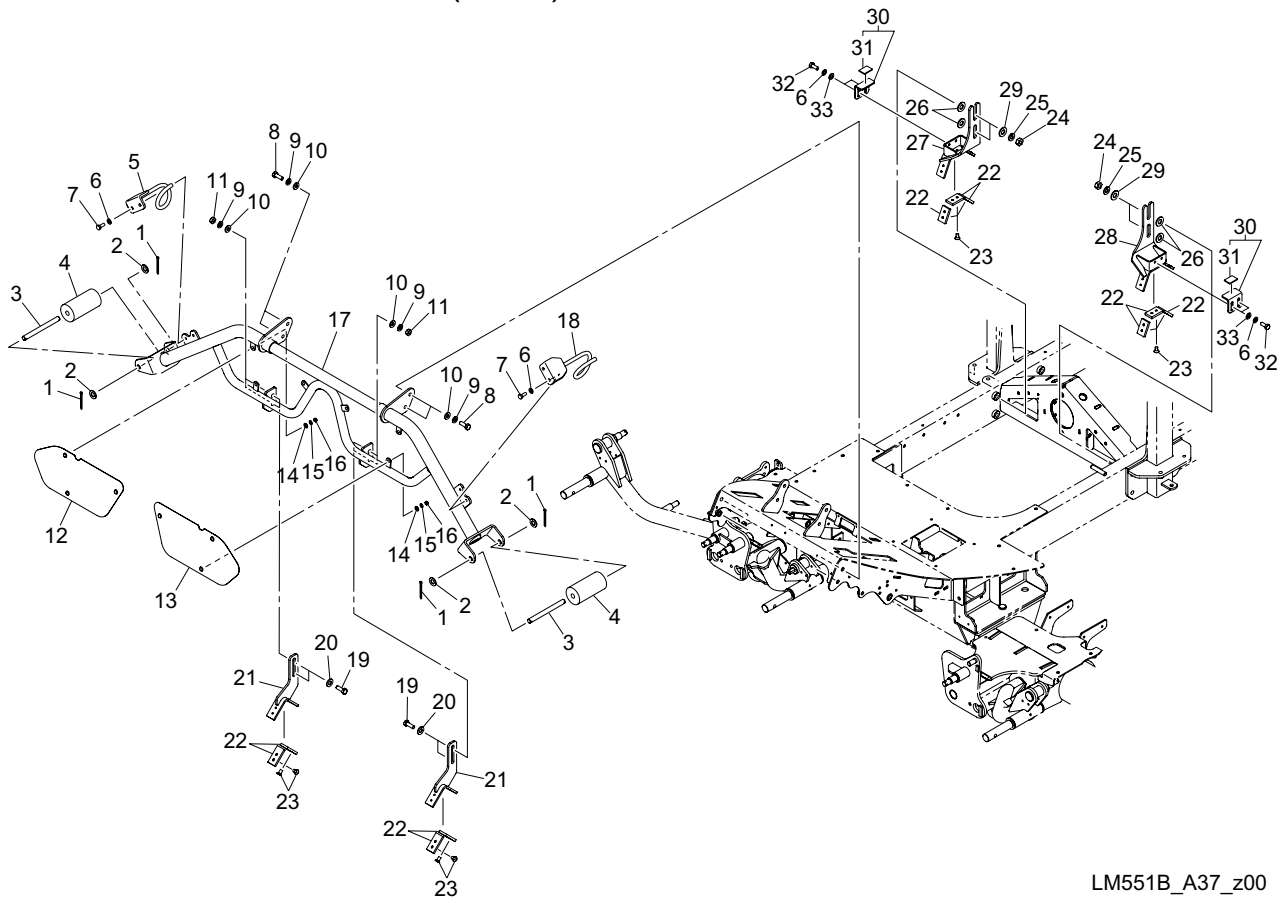


LM551B_A36_z00

Cat No.	Code No.	Part name	Qty	Remark	SN of application
A36-1	K0000120402	BOLT, M12-40	5		
A36-2	K1607120000	JOINT, SPHERICAL PHS12EC	5		
A36-3	K0102120002	NUT, M12-3	15		
A36-4	LM331--0121Z2	SHAFT, SCREWED M12-280	5		
A36-5	K1000000998	SPRING, COMPRESSION M2-18-200	5		
A36-6	K5000120002	WASHER, M12	5		
A36-7	K0200120002	WASHER, SPRING M12	5		
A36-8	K0100120002	NUT, M12	5		
A36-9	K0001140252	BOLT, P1.5 M14-25	10		
A36-10	K0200140002	WASHER, SPRING M14	10		
A36-11	K5000140002	WASHER, M14	10		
A36-12	LM2700-0140Z8	STAY, FRONT	5		
A36-13	K5073212352	WASHER, SPHC 3.2-12-35	5		
A36-14	K0144120002	NUT, W/F-RING M12	5		

A37. Mower arm section C (LH66)

LM551B

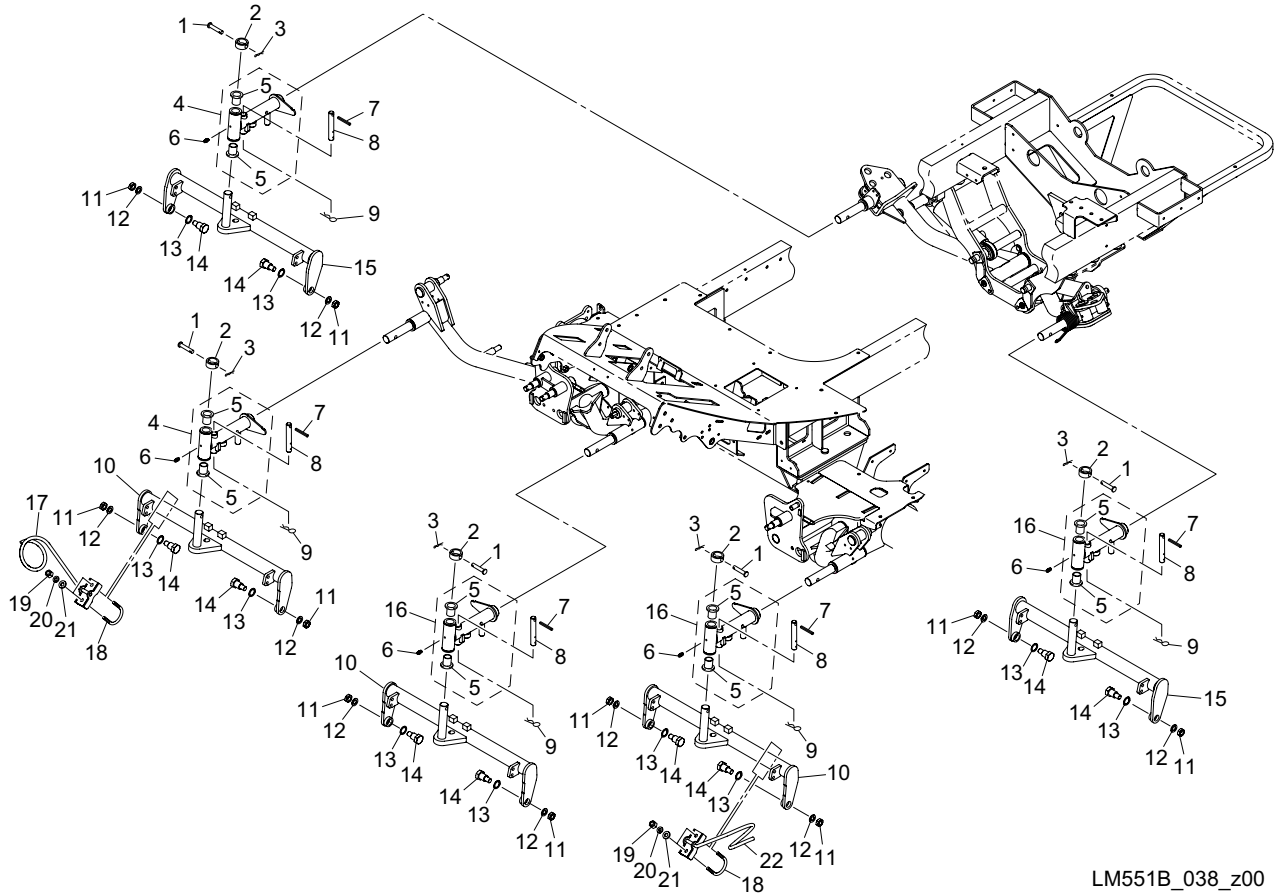


LM551B_A37_z00

Cat No.	Code No.	Part name	Qty	Remark	SN of application
A37-1	K0300032222	PIN, COTTER M3.2-22	4		
A37-2	K5000140002	WASHER, M14	4		
A37-3	GM2800-0629Z2	SHAFT, ROLLER 155	2		
A37-4	GM2800-0628Z0	RUBBER, ROLLER 120	2		
A37-5	LM551--1807ZD	GUIDE, HOSE (RH)	1		
A37-6	K0200080002	WASHER, SPRING M8	8		
A37-7	K0000080202	BOLT, M8-20	4		
A37-8	K0000100252	BOLT, M10-25	4		30001-30551
A37a-8	K0000100302	BOLT, M10-30	4		30552-
A37-9	K0200100002	WASHER, SPRING M10	8		
A37-10	K5000100002	WASHER, M10	8		
A37-11	K0100100002	NUT, M10	4		
A37-12	LM551--1809ZD	PANEL, FRONT (RH)	1		
A37-13	LM551--1808ZD	PANEL, FRONT (LH)	1		
A37-14	K5000060002	WASHER, M6	6		
A37-15	K0200060002	WASHER, SPRING M6	6		
A37-16	K0100060002	NUT, M6	6		
A37-17	LM551--0105ZD	GUIDE, MOWER UNIT #4&5 FOR LH66	1		
A37-18	LM551--1806ZD	GUIDE, HOSE (LH)	1		
A37-19	K0000100352	BOLT, M10-35	4		
A37-20	K5073210352	WASHER, SPHC 3.2-10-35	4		
A37-21	LM551--1810BD	STOPPER, MOWER #1	2		
A37-22	LM526A-0107Z0	STOPPER	10		
A37-23	K0041060122	SCREW, + FLAT HEAD M6-12	20		
A37-24	K0100120002	NUT, M12	4		
A37-25	K0200120002	WASHER, SPRING M12	4		
A37-26	K5000120002	WASHER, M12	4		
A37-27	LM551--0106ZD	STOPPER, #2 MOWER (LH66)	1		
A37-28	LM551--0107ZD	STOPPER, #3 MOWER (LH66)	1		
A37-29	K5090000832	WASHER, TOOTHED	4		

38. Mower arm section A (LS62)

LM551B

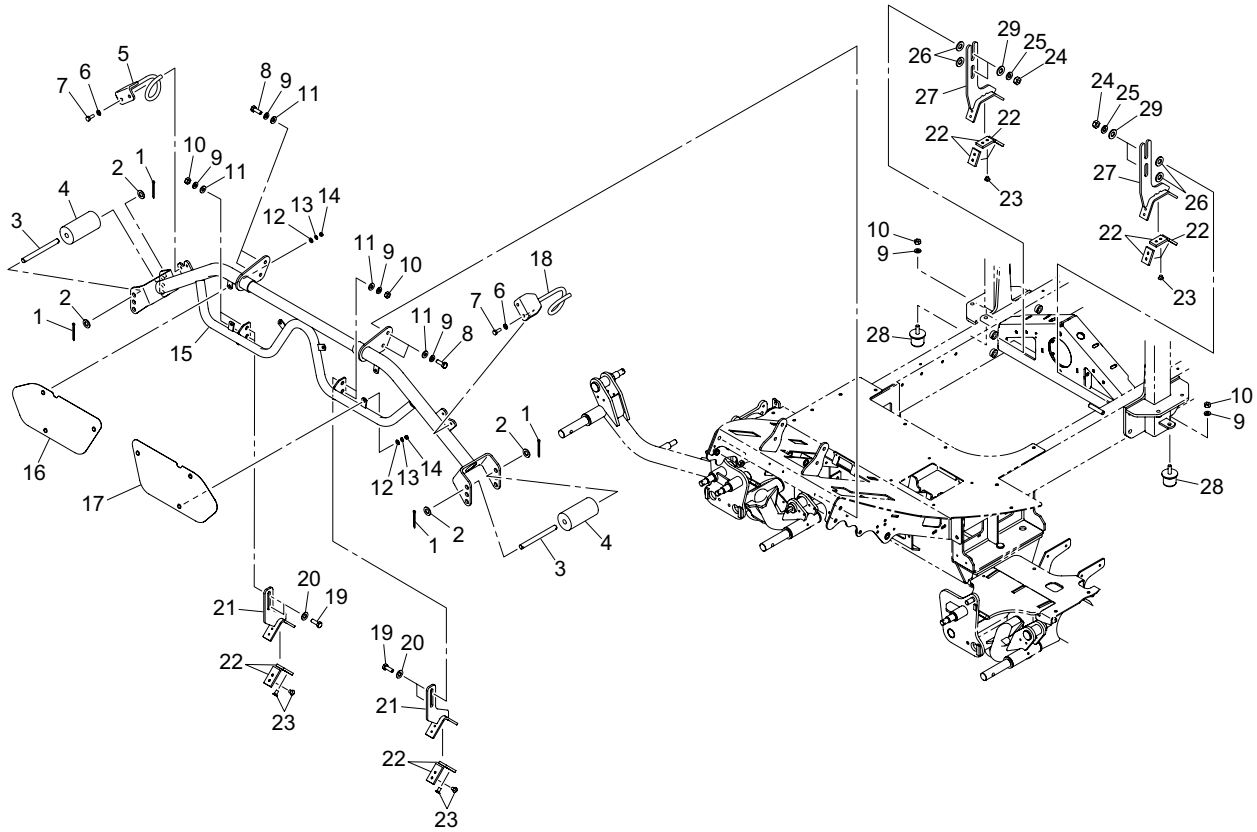


LM551B_038_z00

Cat No.	Code No.	Part name	Qty	Remark	SN of application
38-1	K6031090458	PIN, FLAT HEAD HT M9.6-45.5	5		
38-2	K6215000412	COLLAR, STKM W/HOLE M25.5-36-16	5		
38-3	K0341000002	PIN, SNAP W/RETAINER M10	5		
38-4	LM551--1804ZR	CONNECTOR, MOWER (RH)	2		
38-5	K6010000150	BUSH, FLANGED 25-32-30	10		
38-6	K1440000010	GREASE NIPPLE, STRAIGHT TYPE A	5		
38-7	K0320080501	PIN, SPRING M8-50	5		
38-8	LM526A-0208A8	SHAFT, STOPPER	5		
38-9	K0332200008	PIN, SNAP M22	5		
38-10	LM551--1801ZR	ARM, MOWER LS62	3		
38-11	K0105140002	NUT, P1.5 M14-3	10		
38-12	K0212140002	WASHER, DISK SPRING 1L M14	10		
38-13	K5011020282	WASHER, SPCC 1-20-28	10		
38-14	K6082000132	BOLT, STEPPED FOR FIXING FRAME	10		
38-15	LM551--1802ZR	ARM, MOWER LS62 #2&3	2		
38-16	LM551--1803ZR	CONNECTOR, MOWER (LH)	3		
38-17	LM551--0111ZR	GUIDE, HOSE #4	1		30273-
38-18	K0073000052	BOLT, W/F-RING M8-40A	2		30273-
38-19	K0110080002	NUT, BOX M8	4		30273-
38-20	K0200080002	WASHER, SPRING M8	4		30273-
38-21	K5000080002	WASHER, M8	4		30273-
38-22	LM551--0112ZR	GUIDE, HOSE #5	1		30273-

39. Mower arm section B (LS62)

LM551B

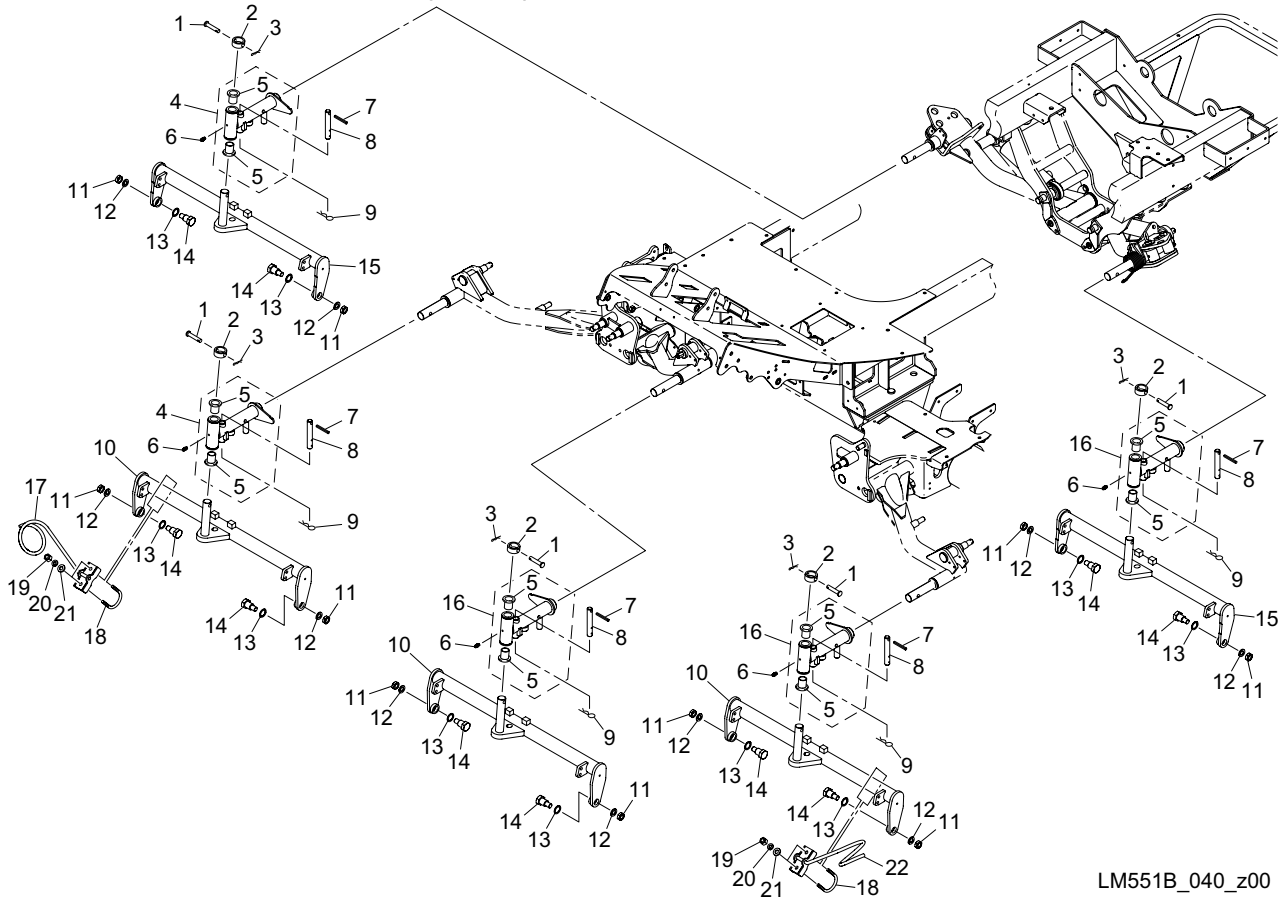


LM551B_039_z00

Cat No.	Code No.	Part name	Qty	Remark	SN of application
39-1	K0300032222	PIN, COTTER M3.2-22	4		
39-2	K5000140002	WASHER, M14	4		
39-3	GM2800-0629Z2	SHAFT, ROLLER 155	2		
39-4	GM2800-0628Z0	RUBBER, ROLLER 120	2		
39-5	LM551--1807ZD	GUIDE, HOSE (RH)	1		
39-6	K0200080002	WASHER, SPRING M8	4		
39-7	K0000080202	BOLT, M8-20	4		
39-8	K0000100252	BOLT, M10-25	4		30001-30551
39a-8	K0000100302	BOLT, M10-30	4		30552-
39-9	K0200100002	WASHER, SPRING M10	10		
39-10	K0100100002	NUT, M10	6		
39-11	K5000100002	WASHER, M10	8		
39-12	K5000060002	WASHER, M6	6		
39-13	K0200060002	WASHER, SPRING M6	6		
39-14	K0100060002	NUT, M6	6		
39-15	LM551--1805ZD	GUIDE, MOWER UNIT #4&5	1		
39-16	LM551--1809ZD	PANEL, FRONT (RH)	1		
39-17	LM551--1808ZD	PANEL, FRONT (LH)	1		
39-18	LM551--1806ZD	GUIDE, HOSE (LH)	1		
39-19	K0000100352	BOLT, M10-35	4		
39-20	K5073210352	WASHER, SPHC 3.2-10-35	4		
39-21	LM551--1810BD	STOPPER, MOWER #1	2		
39-22	LM526A-0107Z0	STOPPER	10		
39-23	K0041060122	SCREW, + FLAT HEAD M6-12	20		
39-24	K0100120002	NUT, M12	4		
39-25	K0200120002	WASHER, SPRING M12	4		
39-26	K5000120002	WASHER, M12	4		
39-27	LM551--1811ZD	STOPPER, #2&3 MOWER	2		
39-28	K4049050000	STOPPER, RUBBER KI-50	2		
39-29	K5090000832	WASHER, TOOTHED	4		

40. Mower arm section A (LS66)

LM551B

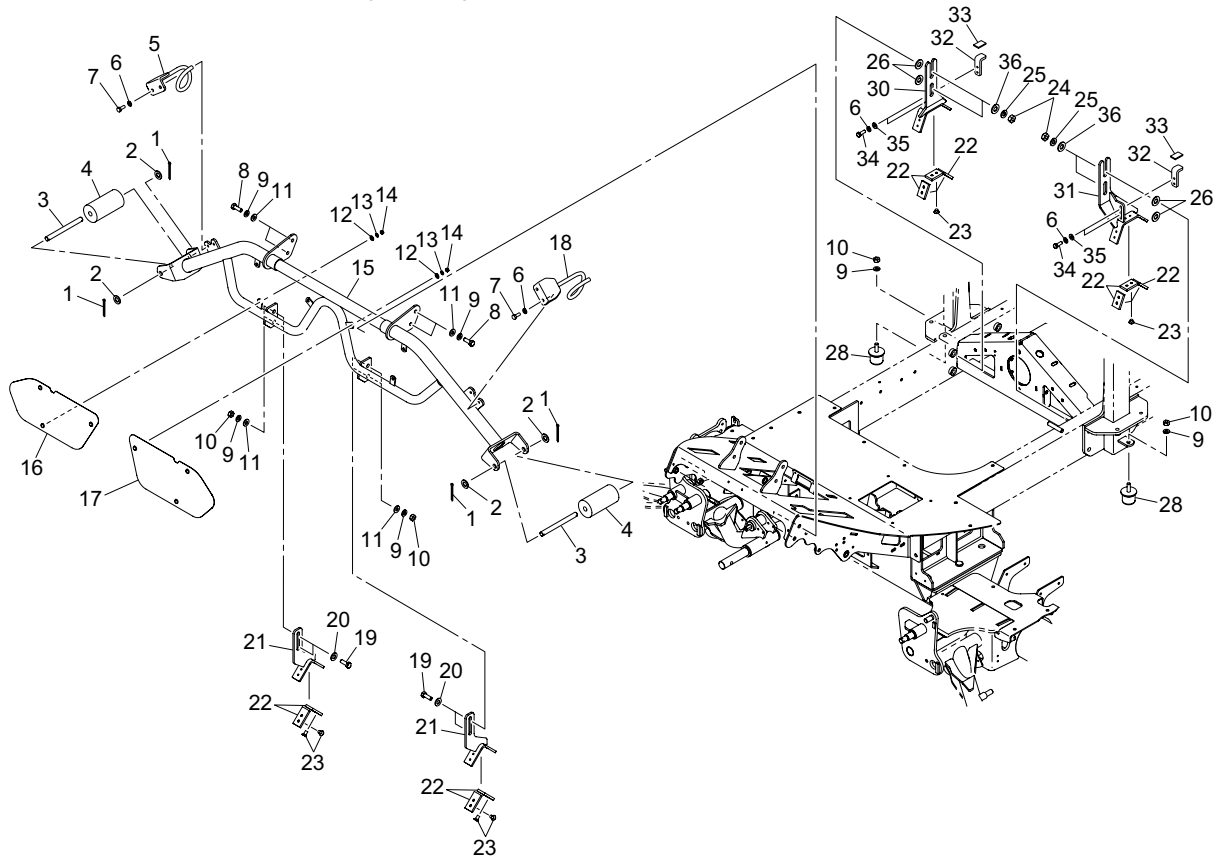


LM551B_040_z00

Cat No.	Code No.	Part name	Qty	Remark	SN of application
40-1	K6031090458	PIN, FLAT HEAD HT M9.6-45.5	5		
40-2	K6215000412	COLLAR, STKM W/HOLE M25.5-36-16	5		
40-3	K0341000002	PIN, SNAP W/RETAINER M10	5		
40-4	LM551--1804ZR	CONNECTOR, MOWER (RH)	2		
40-5	K6010000150	BUSH, FLANGED 25-32-30	10		
40-6	K1440000010	GREASE NIPPLE, STRAIGHT TYPE A	5		
40-7	K0320080501	PIN, SPRING M8-50	5		
40-8	LM526A-0208A8	SHAFT, STOPPER	5		
40-9	K0332200008	PIN, SNAP M22	5		
40-10	LM551--1901ZR	ARM, MOWER LS66	3		
40-11	K0105140002	NUT, P1.5 M14-3	10		
40-12	K0212140002	WASHER, DISK SPRING 1L M14	10		
40-13	K5011020282	WASHER, SPCC 1-20-28	10		
40-14	K6082000132	BOLT, STEPPED FOR FIXING FRAME	10		
40-15	LM551--1902ZR	ARM, MOWER LS66 #2&3	2		
40-16	LM551--1803ZR	CONNECTOR, MOWER (LH)	3		
40-17	LM551--0111ZR	GUIDE, HOSE #4	1		30273-
40-18	K0073000052	BOLT, W/F-RING M8-40A	2		30273-
40-19	K0110080002	NUT, BOX M8	4		30273-
40-20	K0200080002	WASHER, SPRING M8	4		30273-
40-21	K5000080002	WASHER, M8	4		30273-
40-22	LM551--0112ZR	GUIDE, HOSE #5	1		30273-

41. Mower arm section B (LS66)

LM551B

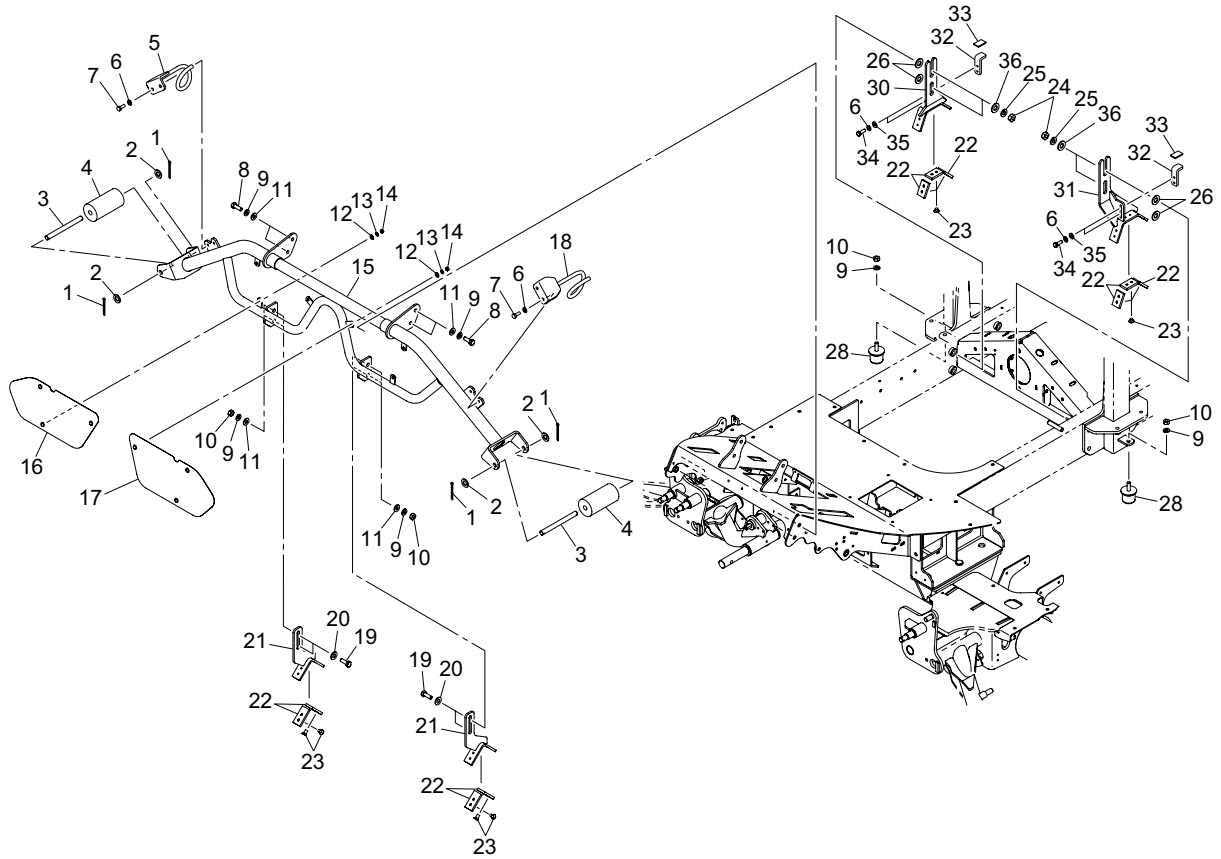


LM551B_041_z00

Cat No.	Code No.	Part name	Qty	Remark	SN of application
41-1	K0300032222	PIN, COTTER M3.2-22	4		
41-2	K5000140002	WASHER, M14	4		
41-3	GM2800-0629Z2	SHAFT, ROLLER 155	2		
41-4	GM2800-0628Z0	RUBBER, ROLLER 120	2		
41-5	LM551--1807ZD	GUIDE, HOSE (RH)	1		
41-6	K0200080002	WASHER, SPRING M8	8		
41-7	K0000080202	BOLT, M8-20	4		
41-8	K0000100252	BOLT, M10-25	4		30001-30551
41a-8	K0000100302	BOLT, M10-30	4		30552-
41-9	K0200100002	WASHER, SPRING M10	10		
41-10	K0100100002	NUT, M10	6		
41-11	K5000100002	WASHER, M10	8		
41-12	K5000060002	WASHER, M6	6		
41-13	K0200060002	WASHER, SPRING M6	6		
41-14	K0100060002	NUT, M6	6		
41-15	LM551--1903ZD	GUIDE, MOWER UNIT #4&5 (LS66)	1		
41-16	LM551--1809ZD	PANEL, FRONT (RH)	1		
41-17	LM551--1808ZD	PANEL, FRONT (LH)	1		
41-18	LM551--1806ZD	GUIDE, HOSE (LH)	1		
41-19	K0000100352	BOLT, M10-35	4		
41-20	K5073210352	WASHER, SPHC 3.2-10-35	4		
41-21	LM551--1810BD	STOPPER, MOWER #1	2		
41-22	LM526A-0107Z0	STOPPER	10		
41-23	K0041060122	SCREW, + FLAT HEAD M6-12	20		
41-24	K0100120002	NUT, M12	4		
41-25	K0200120002	WASHER, SPRING M12	4		
41-26	K5000120002	WASHER, M12	4		
41-27					
41-28	K4049050000	STOPPER, RUBBER KI-50	2		
41-29					

41. Mower arm section B (LS66)

LM551B

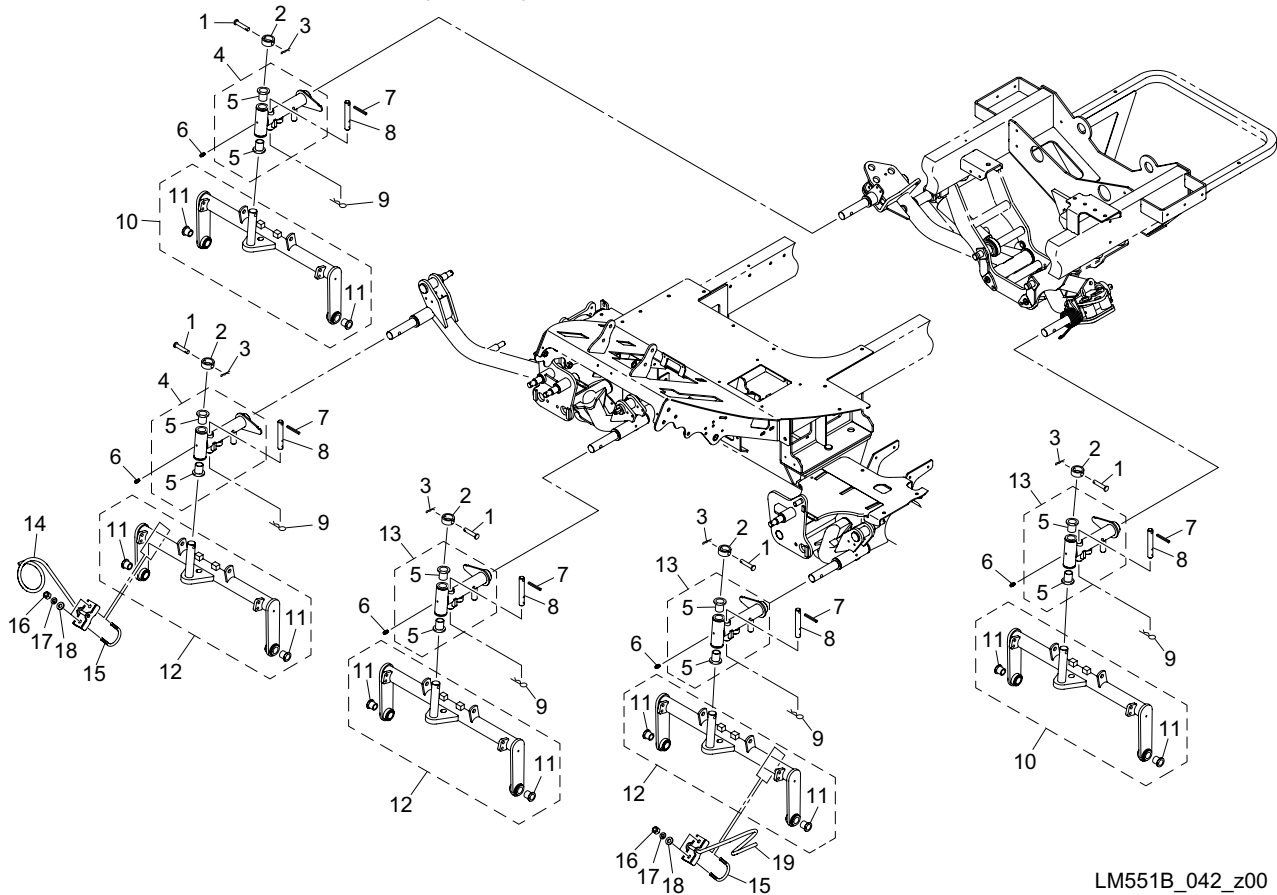


LM551B_041_z00

Cat No.	Code No.	Part name	Qty	Remark	SN of application
41-30	LM551--1906ZD	STOPPER, #2 MOWER (LS66)	1		
41-31	LM551--1907ZD	STOPPER, #3 MOWER (LS66)	1		
41-32	LM551--1908ZD	FITTING, AUXILIARY FOR STOPPER	2		
41-33	K4033000540	RUBBER, PLATE 3-2535	2		
41-34	K0010080202	BOLT, HT M8-20	4		
41-35	K5000080002	WASHER, M8	4		
41-36	K5090000832	WASHER, TOOTHED	4		

42. Mower arm section A (LH52)

LM551B

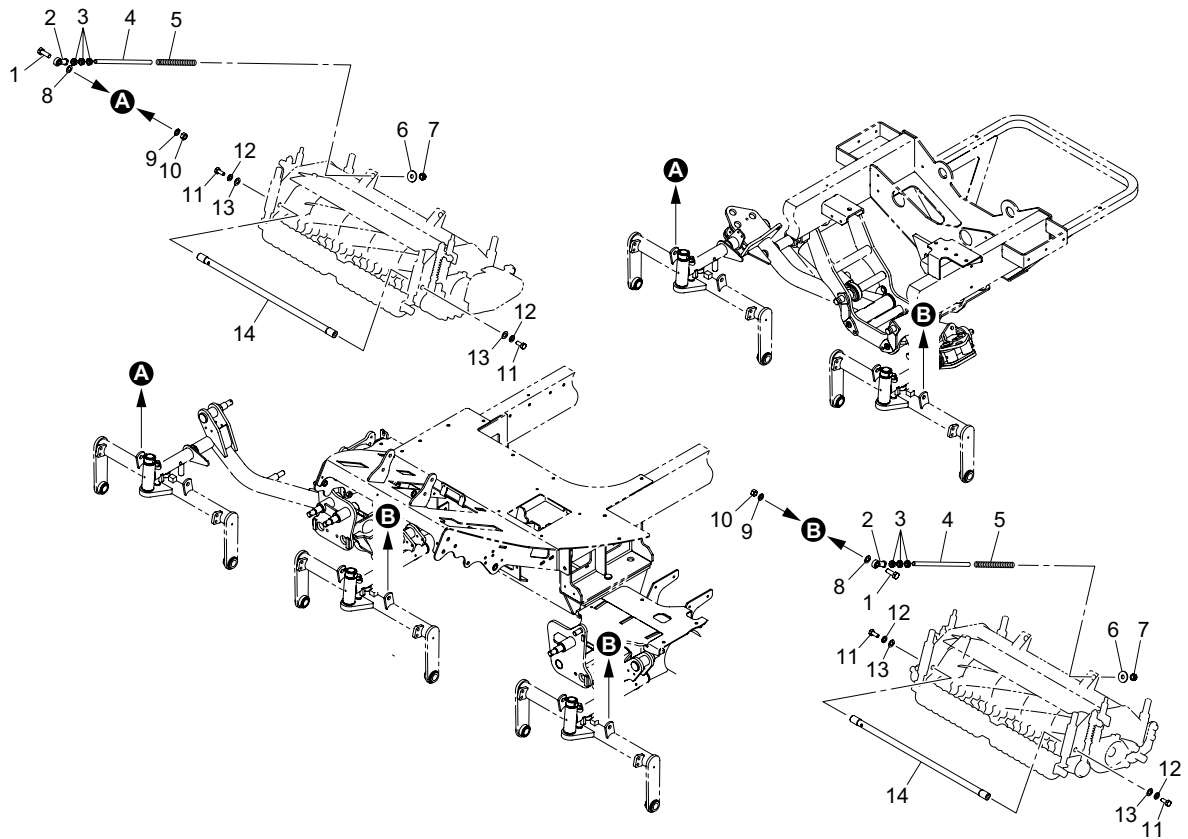


LM551B_042_z00

Cat No.	Code No.	Part name	Qty	Remark	SN of application
42-1	K6031090458	PIN, FLAT HEAD HT M9.6-45.5	5		
42-2	K6215000412	COLLAR, STKM W/HOLE M25.5-36-16	5		
42-3	K0341000002	PIN, SNAP W/RETAINER M10	5		
42-4	LM551--1804ZR	CONNECTOR, MOWER (RH)	2		
42-5	K6010000150	BUSH, FLANGED 25-32-30	10		
42-6	K1440000010	GREASE NIPPLE, STRAIGHT TYPE A	5		
42-7	K0320080501	PIN, SPRING M8-50	5		
42-8	LM526A-0208A8	SHAFT, STOPPER	5		
42-9	K0332200008	PIN, SNAP M22	5		
42-10	LM551--2202ZR	ARM, MOWER LH52 #2&3	2		
42-11	K6010000130	BUSH, FLANGED 22-28-30	10		
42-12	LM551--2201ZR	ARM, MOWER LH52	3		
42-13	LM551--1803ZR	CONNECTOR, MOWER (LH)	3		
42-14	LM551--0111ZR	GUIDE, HOSE #4	1		30273-
42-15	K0073000052	BOLT, W/F-RING M8-40A	2		30273-
42-16	K0110080002	NUT, BOX M8	4		30273-
42-17	K0200080002	WASHER, SPRING M8	4		30273-
42-18	K5000080002	WASHER, M8	4		30273-
42-19	LM551--0112ZR	GUIDE, HOSE #5	1		30273-

43. Mower arm section B (LH52)

LM551B

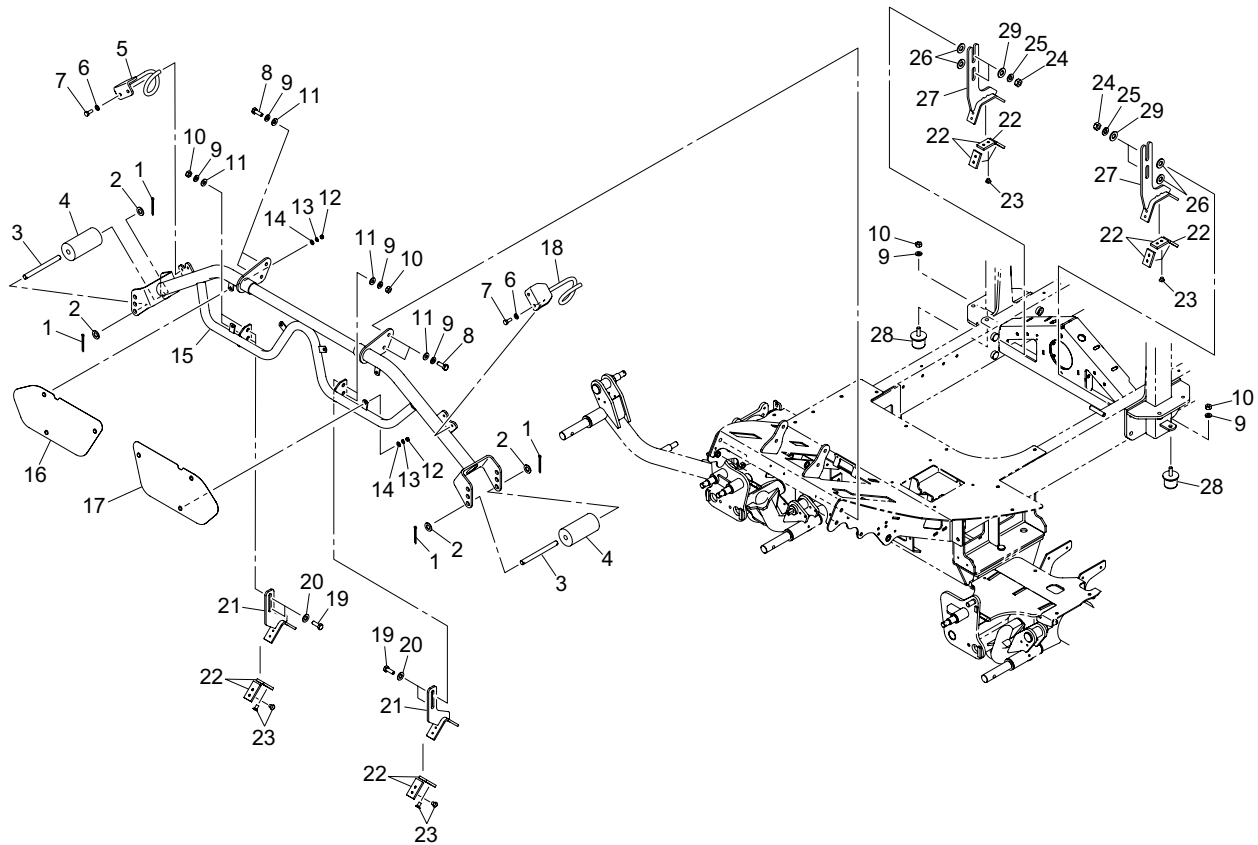


LM551B_043_z00

Cat No.	Code No.	Part name	Qty	Remark	SN of application
43-1	K0000120402	BOLT, M12-40	5		
43-2	K1607120000	JOINT, SPHERICAL PHS12EC	5		
43-3	K0102120002	NUT, M12-3	15		
43-4	LM331--0121Z2	SHAFT, SCREWED M12-280	5		
43-5	K1000000998	SPRING, COMPRESSION M2-18-200	5		
43-6	K5073212352	WASHER, SPHC 3.2-12-35	5		
43-7	K0144120002	NUT, W/F-RING M12	5		
43-8	K5000120002	WASHER, M12	5		
43-9	K0200120002	WASHER, SPRING M12	5		
43-10	K0100120002	NUT, M12	5		
43-11	K0000120352	BOLT, M12-35	10		
43-12	K0200120002	WASHER, SPRING M12	10		
43-13	K5000120002	WASHER, M12	10		
43-14	LM551--2203Z2	PIPE, STAY	5		

44. Mower arm section C (LH52)

LM551B

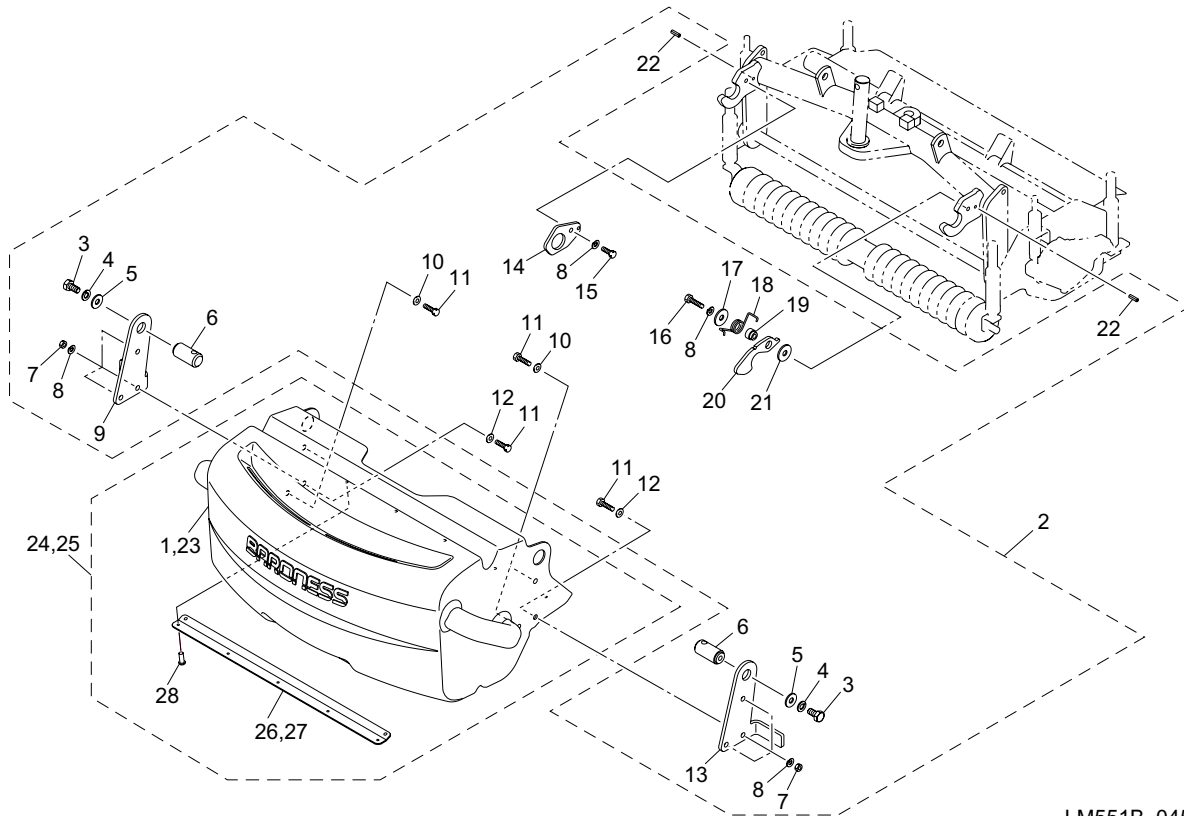


LM551B_044_z00

Cat No.	Code No.	Part name	Qty	Remark	SN of application
44-1	K0300032222	PIN, COTTER M3.2-22	4		
44-2	K5000140002	WASHER, M14	4		
44-3	GM2800-0629Z2	SHAFT, ROLLER 155	2		
44-4	GM2800-0628Z0	RUBBER, ROLLER 120	2		
44-5	LM551--1807ZD	GUIDE, HOSE (RH)	1		
44-6	K0200080002	WASHER, SPRING M8	4		
44-7	K0000080202	BOLT, M8-20	4		
44-8	K0000100252	BOLT, M10-25	4		30001-30551
44a-8	K0000100302	BOLT, M10-30	4		30552-
44-9	K0200100002	WASHER, SPRING M10	10		
44-10	K0100100002	NUT, M10	6		
44-11	K5000100002	WASHER, M10	8		
44-12	K0100060002	NUT, M6	6		
44-13	K0200060002	WASHER, SPRING M6	6		
44-14	K5000060002	WASHER, M6	6		
44-15	LM551--1805ZD	GUIDE, MOWER UNIT #4&5	1		
44-16	LM551--1809ZD	PANEL, FRONT (RH)	1		
44-17	LM551--1808ZD	PANEL, FRONT (LH)	1		
44-18	LM551--1806ZD	GUIDE, HOSE (LH)	1		
44-19	K0000100352	BOLT, M10-35	4		
44-20	K5073210352	WASHER, SPHC 3.2-10-35	4		
44-21	LM551--1810BD	STOPPER, MOWER #1	2		
44-22	LM526A-0107Z0	STOPPER	10		
44-23	K0041060122	SCREW, + FLAT HEAD M6-12	20		
44-24	K0100120002	NUT, M12	4		
44-25	K0200120002	WASHER, SPRING M12	4		
44-26	K5000120002	WASHER, M12	4		
44-27	LM551--1811ZD	STOPPER, #2&3 MOWER	2		
44-28	K4049050000	STOPPER, RUBBER KI-50	2		
44-29	K5090000832	WASHER, TOOTHED	4		

45. Grass catcher section A #3 & 4 (LH62 & LH66)

LM551B

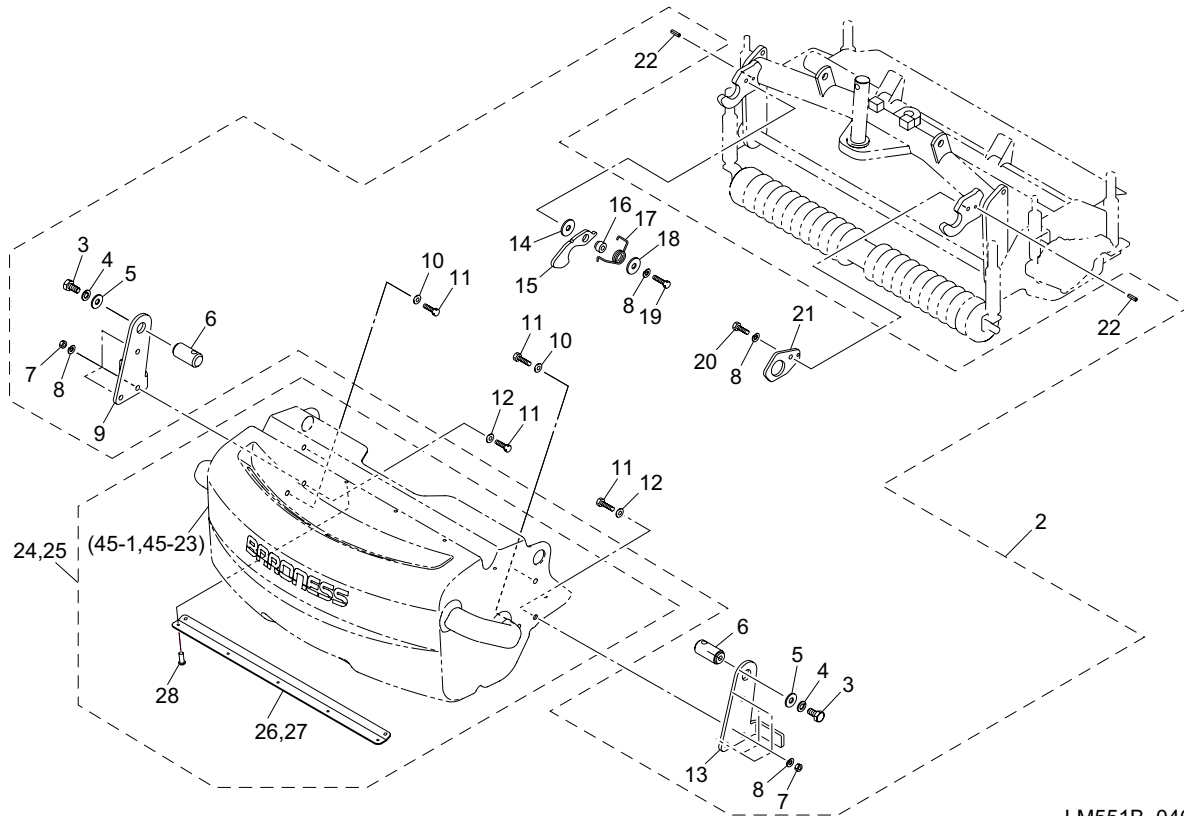


LM551B_045_z00

Cat No.	Code No.	Part name	Qty	Remark	SN of application
45-1	LS62---6001Z0	GRASS CATCHER, 22	1	for 22inch	
45-2	LH66L--6110Z0	BRACKET ASSY L, GRASS CATCHER	1		
45-3	K0000100202	BOLT, M10-20	2		
45-4	K0200100002	WASHER, SPRING M10	2		
45-5	K5073210262	WASHER, SPHC 3.2-10-26	2		
45-6	LS66---6101Z2	PIN, GRASS CATCHER	2		
45-7	K0100080002	NUT, M8	6		
45-8	K0200080002	WASHER, SPRING M8	8		
45-9	LH6690-6102ZD	BRACKET, (RH)	1		
45-10	K5012308352	WASHER, SPCC 2.3-8-35	4		
45-11	K0000080252	BOLT, M8-25	6		
45-12	K5000080002	WASHER, M8	2		
45-13	LH6690-6101ZD	BRACKET, (LH)	1		
45-14	LS66---6106ZD	PLATE, MOUNTING	1		
45-15	K0000080202	BOLT, M8-20	1		
45-16	K0000080302	BOLT, M8-30	1		
45-17	K5012308262	WASHER, SPCC 2.3-8-26	1		
45-18	LS66---6105Z8	SPRING, TORSION W/U-SHAPED END (LH)	1		
45-19	LS66---6103Z2	COLLAR, 8.5	1		
45-20	LS66---6102AD	HOOK	1		
45-21	K5051008180	WASHER, C5191P 1-8-18	1		
45-22	K0320050141	PIN, SPRING M5-14	2		
45-23	LS66---6001Z0	GRASS CATCHER, 26	1	for 26inch	
45-24	LS62---6010Z0	GRASS CATCHER COMP, 22	1	for 22inch	
45-25	LS66---6010Z0	GRASS CATCHER COMP, 26	1	for 26inch	
45-26	LS62---6005ZD	PLATE, REINFORCEMENT	1	for 22inch	
45-27	LS66---6005ZD	PLATE, REINFORCEMENT	1	for 26inch	
45-28	K4510615160	RIVET, BLIND AVEX 1661-0516	5	for 22inch	
45a-28	K4510615160	RIVET, BLIND AVEX 1661-0516	6	for 26inch	

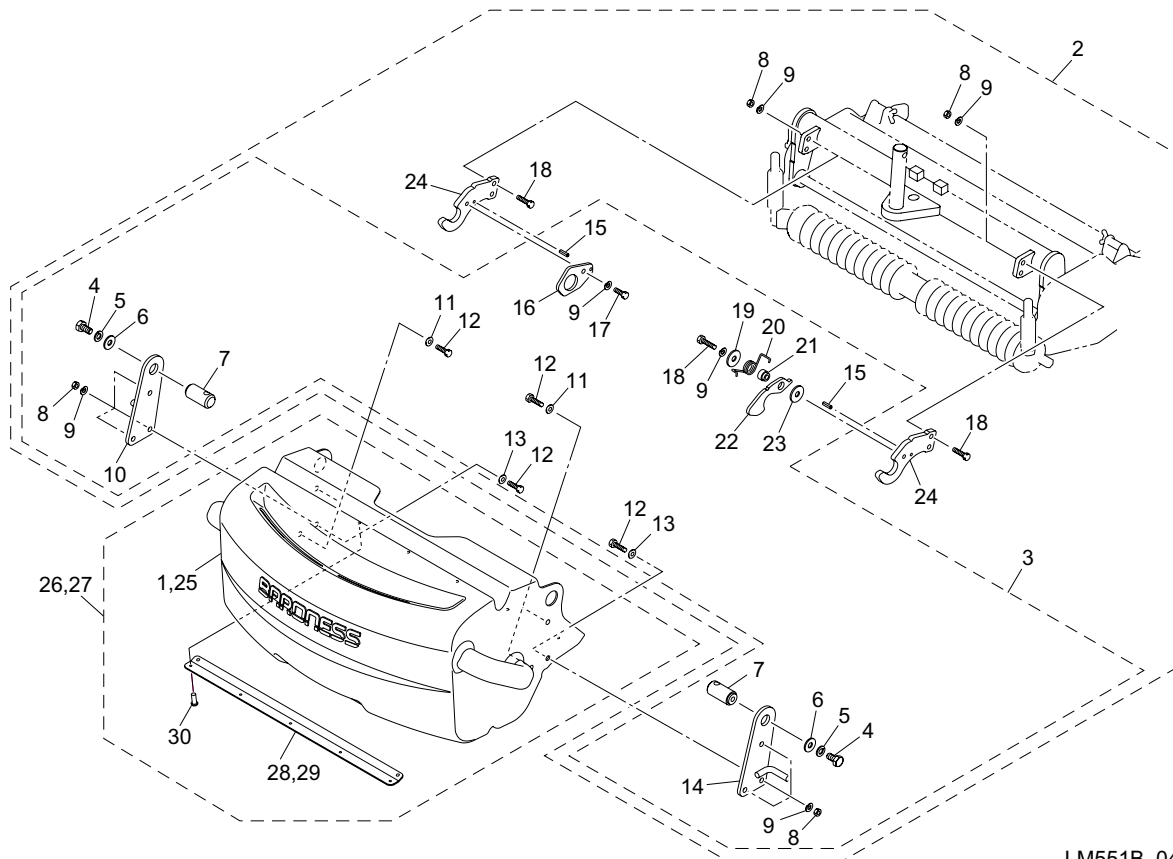
46. Grass catcher section B #1 & 2 & 5 (LH62 & LH66)

LM551B



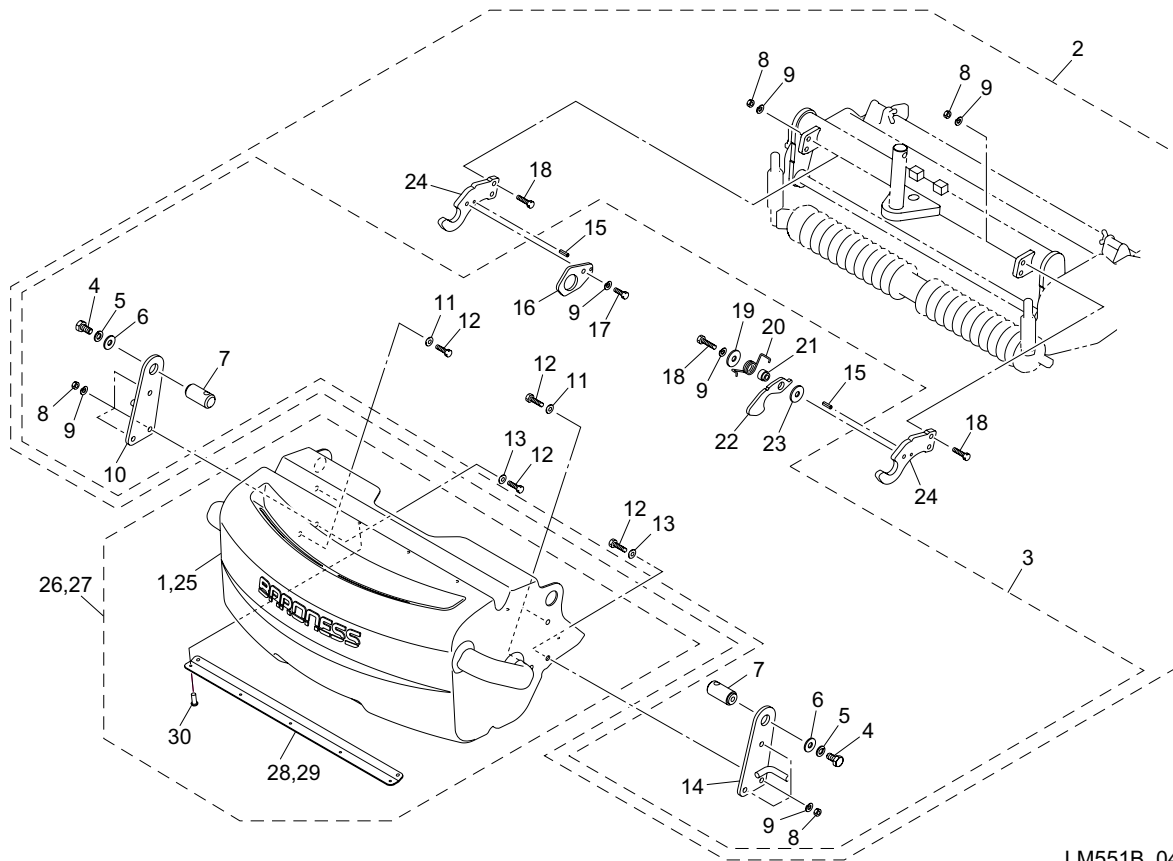
LM551B_046_z00

Cat No.	Code No.	Part name	Qty	Remark	SN of application
46-1					
46-2	LH66R--6110Z0	BRACKET ASSY R, GRASS CATCHER	1		
46-3	K0000100202	BOLT, M10-20	2		
46-4	K0200100002	WASHER, SPRING M10	2		
46-5	K5073210262	WASHER, SPHC 3.2-10-26	2		
46-6	LS66---6101Z2	PIN, GRASS CATCHER	2		
46-7	K0100080002	NUT, M8	6		
46-8	K0200080002	WASHER, SPRING M8	8		
46-9	LH6690-6102ZD	BRACKET, (RH)	1		
46-10	K5012308352	WASHER, SPCC 2.3-8-35	4		
46-11	K0000080252	BOLT, M8-25	6		
46-12	K5000080002	WASHER, M8	2		
46-13	LH6690-6101ZD	BRACKET, (LH)	1		
46-14	K5051008180	WASHER, C5191P 1-8-18	1		
46-15	LS66---6102AD	HOOK	1		
46-16	LS66---6103Z2	COLLAR, 8.5	1		
46-17	LS66---6104Z8	SPRING, TORSION W/U-SHAPED END (RH)	1		
46-18	K5012308262	WASHER, SPCC 2.3-8-26	1		
46-19	K0000080302	BOLT, M8-30	1		
46-20	K0000080202	BOLT, M8-20	1		
46-21	LS66---6106ZD	PLATE, MOUNTING	1		
46-22	K0320050141	PIN, SPRING M5-14	2		
46-23					
46-24	LS62---6010Z0	GRASS CATCHER COMP, 22	1	for 22inch	
46-25	LS66---6010Z0	GRASS CATCHER COMP, 26	1	for 26inch	
46-26	LS62---6005ZD	PLATE, REINFORCEMENT	1	for 22inch	
46-27	LS66---6005ZD	PLATE, REINFORCEMENT	1	for 26inch	
46-28	K4510615160	RIVET, BLIND AVEX 1661-0516	5	for 22inch	
46a-28	K4510615160	RIVET, BLIND AVEX 1661-0516	6	for 26inch	



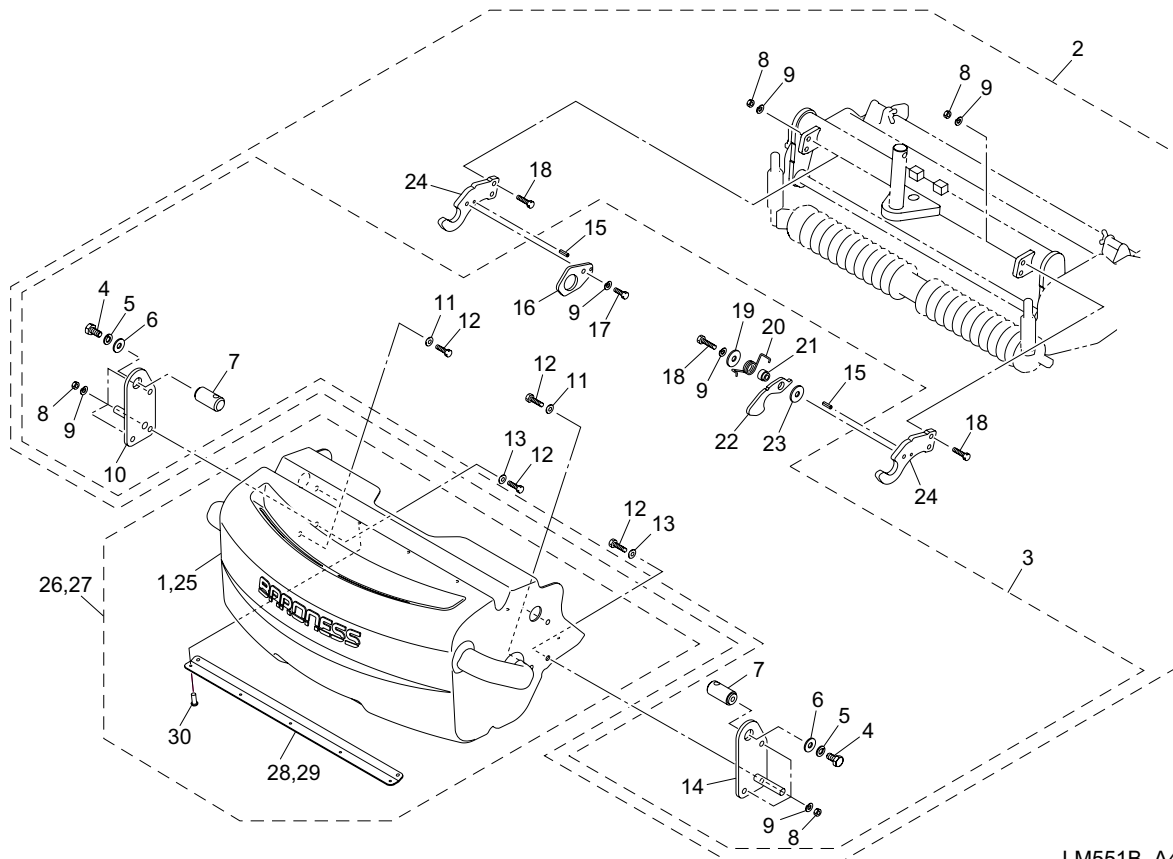
LM551B_047_z00

Cat No.	Code No.	Part name	Qty	Remark	SN of application
47-1	LS62---6001Z0	GRASS CATCHER, 22	1	for 22inch	
47-2	LS62L--6111Z0	BRACKET ASSY L, GRASS CATCHER	1		
47-3	LS62L--6110Z0	BRACKET ASSY L, GRASS CATCHER	1		
47-4	K0000100202	BOLT, M10-20	2		
47-5	K0200100002	WASHER, SPRING M10	2		
47-6	K5073210262	WASHER, SPHC 3.2-10-26	2		
47-7	LS66---6101Z2	PIN, GRASS CATCHER	2		
47-8	K0100080002	NUT, M8	10		
47-9	K0200080002	WASHER, SPRING M8	12		
47-10	LS66---6108ZD	BRACKET, (RH)	1		
47-11	K5012308352	WASHER, SPCC 2.3-8-35	4		
47-12	K0000080252	BOLT, M8-25	6		
47-13	K5000080002	WASHER, M8	2		
47-14	LS66---6107ZD	BRACKET, (LH)	1		
47-15	K0320050141	PIN, SPRING M5-14	2		
47-16	LS66---6106ZD	PLATE, MOUNTING	1		
47-17	K0000080202	BOLT, M8-20	1		
47-18	K0000080302	BOLT, M8-30	5		
47-19	K5012308262	WASHER, SPCC 2.3-8-26	1		
47-20	LS66---6105Z8	SPRING, TORSION W/U-SHAPED END (LH)	1		
47-21	LS66---6103Z2	COLLAR, 8.5	1		
47-22	LS66---6102AD	HOOK	1		
47-23	K5051008180	WASHER, C5191P 1-8-18	1		
47-24	LH52---6101ZD	PLATE, MOUNTING	2		
47-25	LS66---6001Z0	GRASS CATCHER, 26	1	for 26inch	
47-26	LS62---6010Z0	GRASS CATCHER COMP, 22	1	for 22inch	
47-27	LS66---6010Z0	GRASS CATCHER COMP, 26	1	for 26inch	
47-28	LS62---6005ZD	PLATE, REINFORCEMENT	1	for 22inch	
47-29	LS66---6005ZD	PLATE, REINFORCEMENT	1	for 26inch	
47-30	K4510615160	RIVET, BLIND AVEX 1661-0516	5	for 22inch	



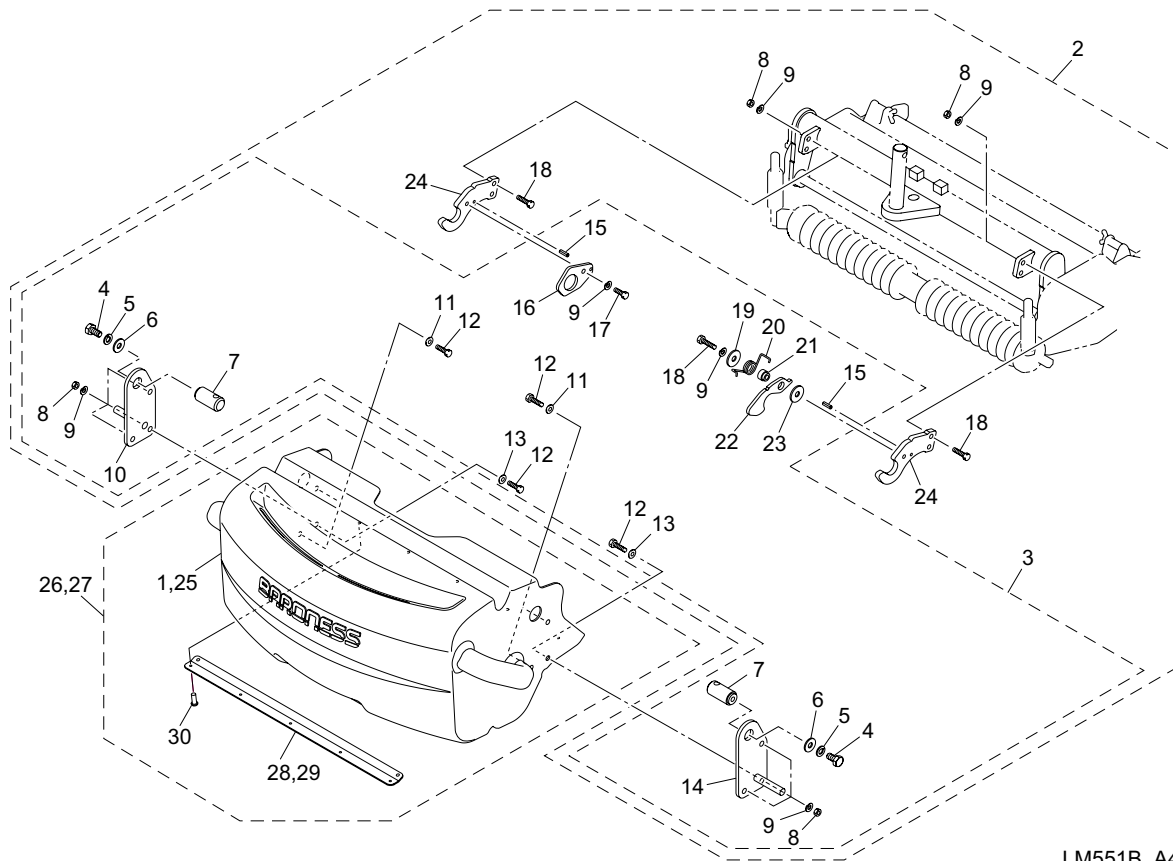
LM551B_047_z00

Cat No.	Code No.	Part name	Qty	Remark	SN of application
47a-30	K4510615160	RIVET, BLIND AVEX 1661-0516	6	for 26inch	



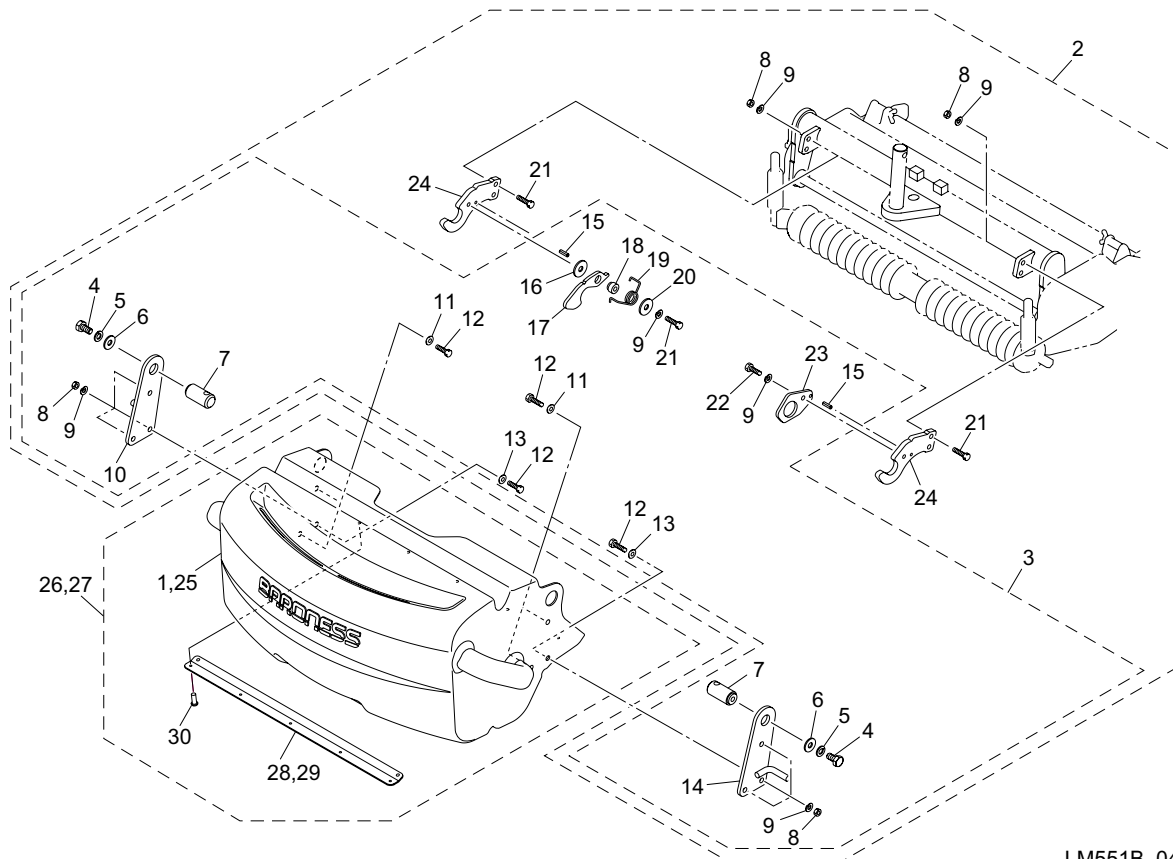
LM551B_A47_z00

Cat No.	Code No.	Part name	Qty	Remark	SN of application
A47-1	LS62---6001Z0	GRASS CATCHER, 22	1	for 22inch	
A47a-2	LS62L--6121Z0	BRACKET ASSY L, GRASS CATCHER	1		
A47a-3	LS62L--6120Z0	BRACKET ASSY L, GRASS CATCHER	1		
A47-4	K0000100202	BOLT, M10-20	2		
A47-5	K0200100002	WASHER, SPRING M10	2		
A47-6	K5073210262	WASHER, SPHC 3.2-10-26	2		
A47-7	LS66---6101Z2	PIN, GRASS CATCHER	2		
A47-8	K0100080002	NUT, M8	10		
A47-9	K0200080002	WASHER, SPRING M8	12		
A47-10	LS66---6108ZD	BRACKET, (RH)	1		
A47-11	K5012308352	WASHER, SPCC 2.3-8-35	4		
A47-12	K0000080252	BOLT, M8-25	6		
A47-13	K5000080002	WASHER, M8	2		
A47-14	LS66---6107ZD	BRACKET, (LH)	1		
A47-15	K0320050141	PIN, SPRING M5-14	2		
A47-16	LS66---6106ZD	PLATE, MOUNTING	1		
A47-17	K0000080202	BOLT, M8-20	1		
A47-18	K0000080302	BOLT, M8-30	5		
A47-19	K5012308262	WASHER, SPCC 2.3-8-26	1		
A47-20	LS66---6105Z8	SPRING, TORSION W/U-SHAPED END (LH)	1		
A47-21	LS66---6103Z2	COLLAR, 8.5	1		
A47-22	LS66---6102AD	HOOK	1		
A47-23	K5051008180	WASHER, C5191P 1-8-18	1		
A47-24	LH52---6101ZD	PLATE, MOUNTING	2		
A47-25	LS66---6001Z0	GRASS CATCHER, 26	1	for 26inch	
A47-26	LS62---6010Z0	GRASS CATCHER COMP, 22	1	for 22inch	
A47-27	LS66---6010Z0	GRASS CATCHER COMP, 26	1	for 26inch	
A47-28	LS62---6005ZD	PLATE, REINFORCEMENT	1	for 22inch	
A47-29	LS66---6005ZD	PLATE, REINFORCEMENT	1	for 26inch	
A47-30	K4510615160	RIVET, BLIND AVEX 1661-0516	5	for 22inch	



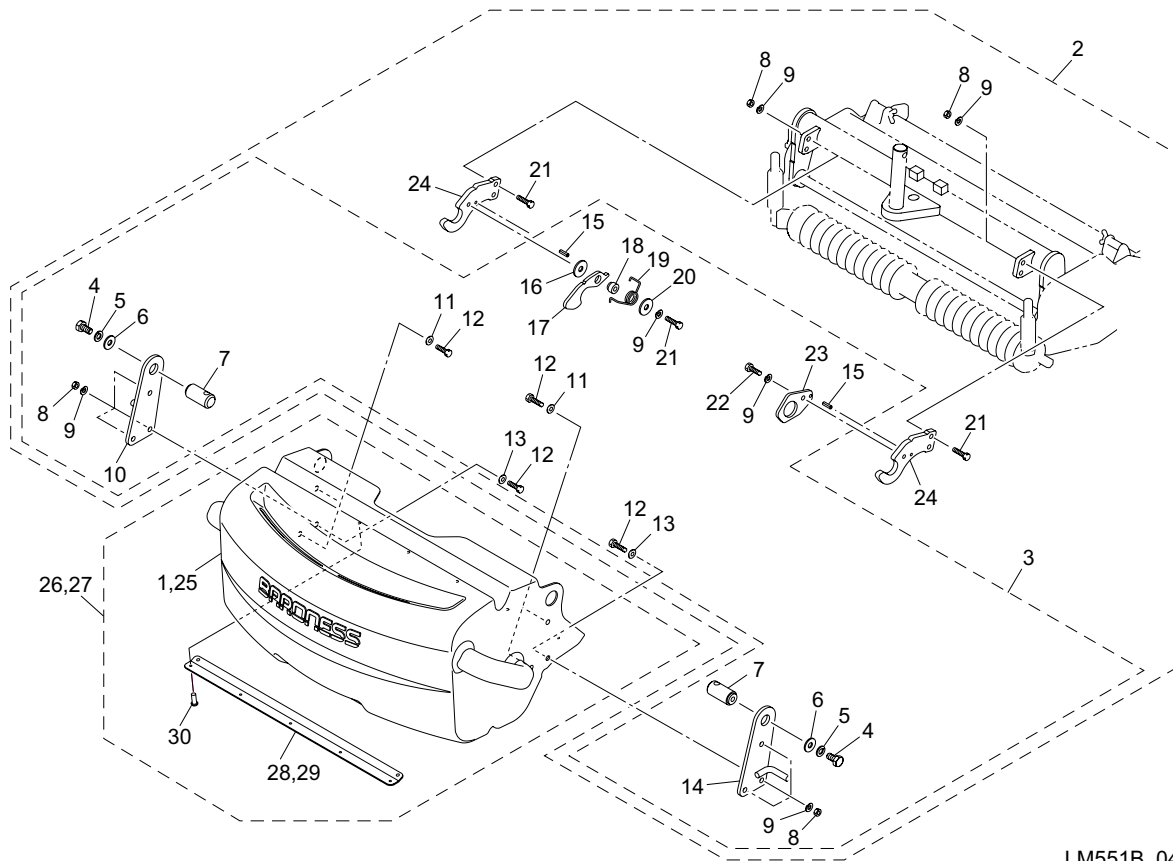
LM551B_A47_z00

Cat No.	Code No.	Part name	Qty	Remark	SN of application
A47a-30	K4510615160	RIVET, BLIND AVEX 1661-0516	6	for 26inch	



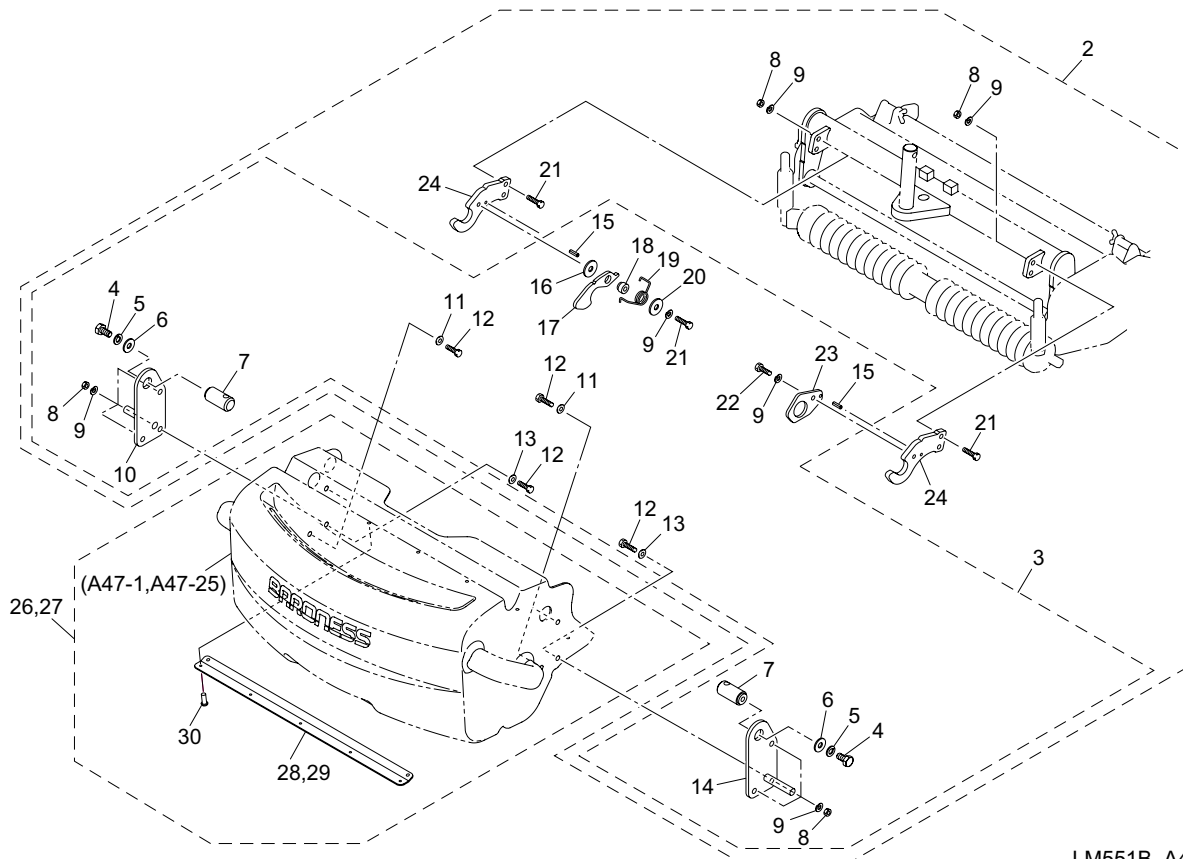
LM551B_048_z00

Cat No.	Code No.	Part name	Qty	Remark	SN of application
48-1	LS62---6001Z0	GRASS CATCHER, 22	1	for 22inch	
48-2	LS62R--6111Z0	BRACKET ASSY R, GRASS CATCHER	1		
48-3	LS62R--6110Z0	BRACKET ASSY R, GRASS CATCHER	1		
48-4	K0000100202	BOLT, M10-20	2		
48-5	K0200100002	WASHER, SPRING M10	2		
48-6	K5073210262	WASHER, SPHC 3.2-10-26	2		
48-7	LS66---6101Z2	PIN, GRASS CATCHER	2		
48-8	K0100080002	NUT, M8	10		
48-9	K0200080002	WASHER, SPRING M8	12		
48-10	LS66---6108ZD	BRACKET, (RH)	1		
48-11	K5012308352	WASHER, SPCC 2.3-8-35	4		
48-12	K0000080252	BOLT, M8-25	6		
48-13	K5000080002	WASHER, M8	2		
48-14	LS66---6107ZD	BRACKET, (LH)	1		
48-15	K0320050141	PIN, SPRING M5-14	2		
48-16	K5051008180	WASHER, C5191P 1-8-18	1		
48-17	LS66---6102AD	HOOK	1		
48-18	LS66---6103Z2	COLLAR, 8.5	1		
48-19	LS66---6104Z8	SPRING, TORSION W/U-SHAPED END (RH)	1		
48-20	K5012308262	WASHER, SPCC 2.3-8-26	1		
48-21	K0000080302	BOLT, M8-30	5		
48-22	K0000080202	BOLT, M8-20	1		
48-23	LS66---6106ZD	PLATE, MOUNTING	1		
48-24	LH52---6101ZD	PLATE, MOUNTING	2		
48-25	LS66---6001Z0	GRASS CATCHER, 26	1	for 26inch	
48-26	LS62---6010Z0	GRASS CATCHER COMP, 22	1	for 22inch	
48-27	LS66---6010Z0	GRASS CATCHER COMP, 26	1	for 26inch	
48-28	LS62---6005ZD	PLATE, REINFORCEMENT	1	for 22inch	
48-29	LS66---6005ZD	PLATE, REINFORCEMENT	1	for 26inch	
48-30	K4510615160	RIVET, BLIND AVEX 1661-0516	5	for 22inch	



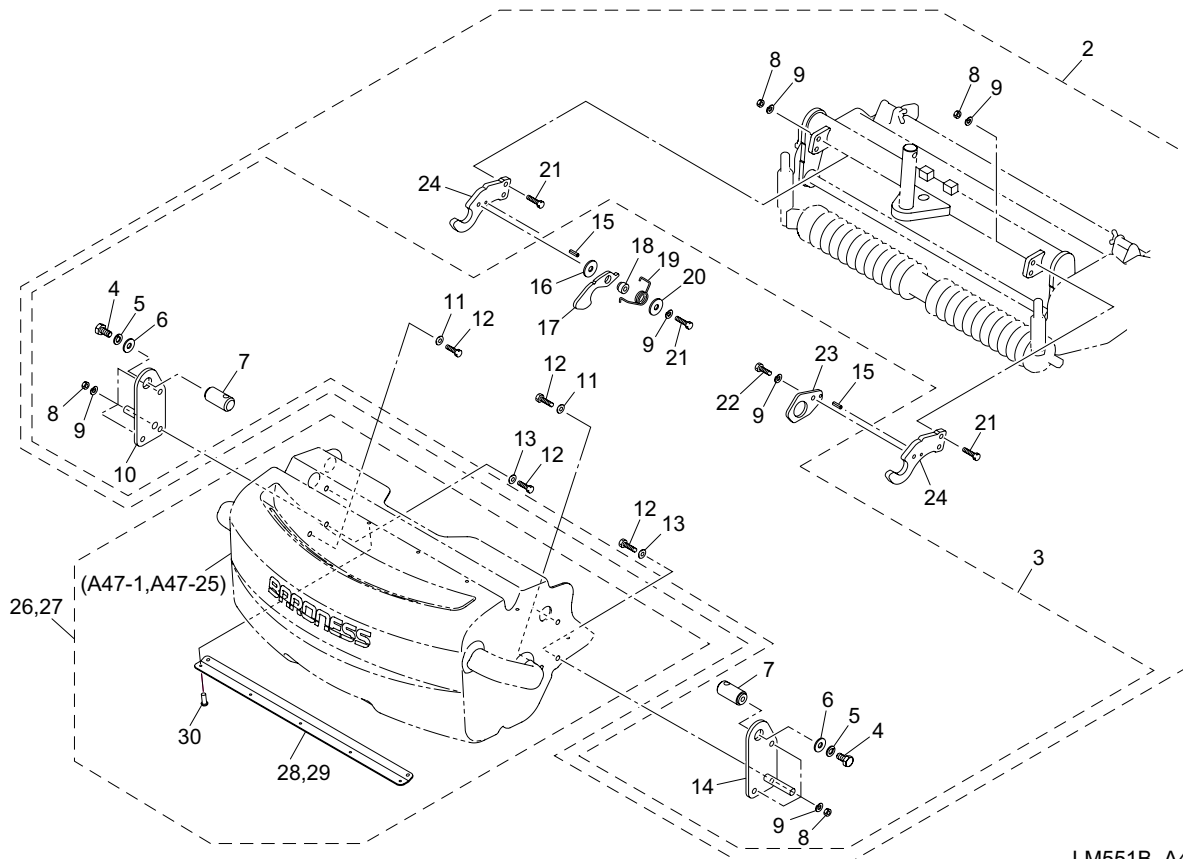
LM551B_048_z00

Cat No.	Code No.	Part name	Qty	Remark	SN of application
48a-30	K4510615160	RIVET, BLIND AVEX 1661-0516	6	for 26inch	



LM551B_A48_z00

Cat No.	Code No.	Part name	Qty	Remark	SN of application
A48a-1					
A48-2	LS62R--6111Z0	BRACKET ASSY R, GRASS CATCHER	1		
A48-3	LS62R--6110Z0	BRACKET ASSY R, GRASS CATCHER	1		
A48-4	K0000100202	BOLT, M10-20	2		
A48-5	K0200100002	WASHER, SPRING M10	2		
A48-6	K5073210262	WASHER, SPHC 3.2-10-26	2		
A48-7	LS66---6101Z2	PIN, GRASS CATCHER	2		
A48-8	K0100080002	NUT, M8	10		
A48-9	K0200080002	WASHER, SPRING M8	12		
A48-10	LS66---6108ZD	BRACKET, (RH)	1		
A48-11	K5012308352	WASHER, SPCC 2.3-8-35	4		
A48-12	K0000080252	BOLT, M8-25	6		
A48-13	K5000080002	WASHER, M8	2		
A48-14	LS66---6107ZD	BRACKET, (LH)	1		
A48-15	K0320050141	PIN, SPRING M5-14	2		
A48-16	K5051008180	WASHER, C5191P 1-8-18	1		
A48-17	LS66---6102AD	HOOK	1		
A48-18	LS66---6103Z2	COLLAR, 8.5	1		
A48-19	LS66---6104Z8	SPRING, TORSION W/U-SHAPED END (RH)	1		
A48-20	K5012308262	WASHER, SPCC 2.3-8-26	1		
A48-21	K0000080302	BOLT, M8-30	5		
A48-22	K0000080202	BOLT, M8-20	1		
A48-23	LS66---6106ZD	PLATE, MOUNTING	1		
A48-24	LH52---6101ZD	PLATE, MOUNTING	2		
A48a-25					
A48-26	LS62---6010Z0	GRASS CATCHER COMP, 22	1	for 22inch	
A48-27	LS66---6010Z0	GRASS CATCHER COMP, 26	1	for 26inch	
A48-28	LS62---6005ZD	PLATE, REINFORCEMENT	1	for 22inch	
A48-29	LS66---6005ZD	PLATE, REINFORCEMENT	1	for 26inch	
A48-30	K4510615160	RIVET, BLIND AVEX 1661-0516	5	for 22inch	

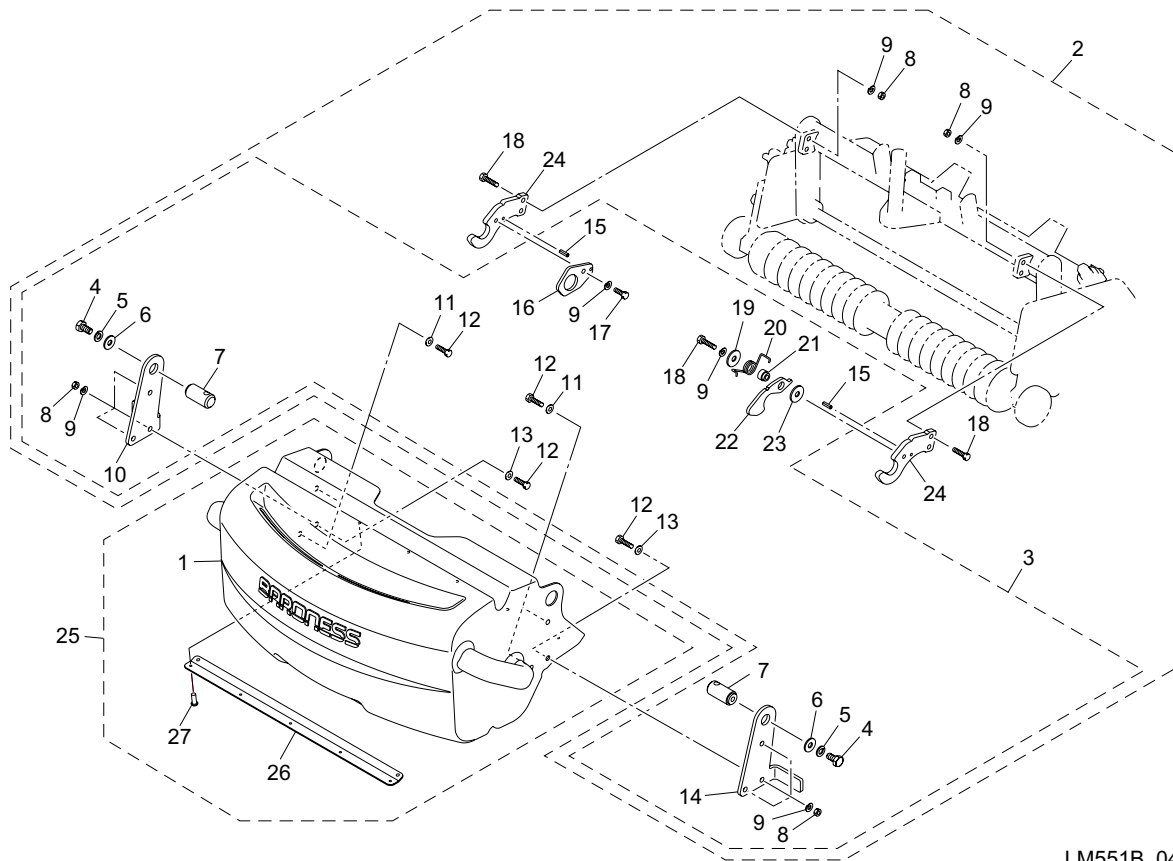


LM551B_A48_z00

Cat No.	Code No.	Part name	Qty	Remark	SN of application
A48a-30	K4510615160	RIVET, BLIND AVEX 1661-0516	6	for 26inch	

49. Grass catcher section A #3 & 4 (LH52)

LM551B

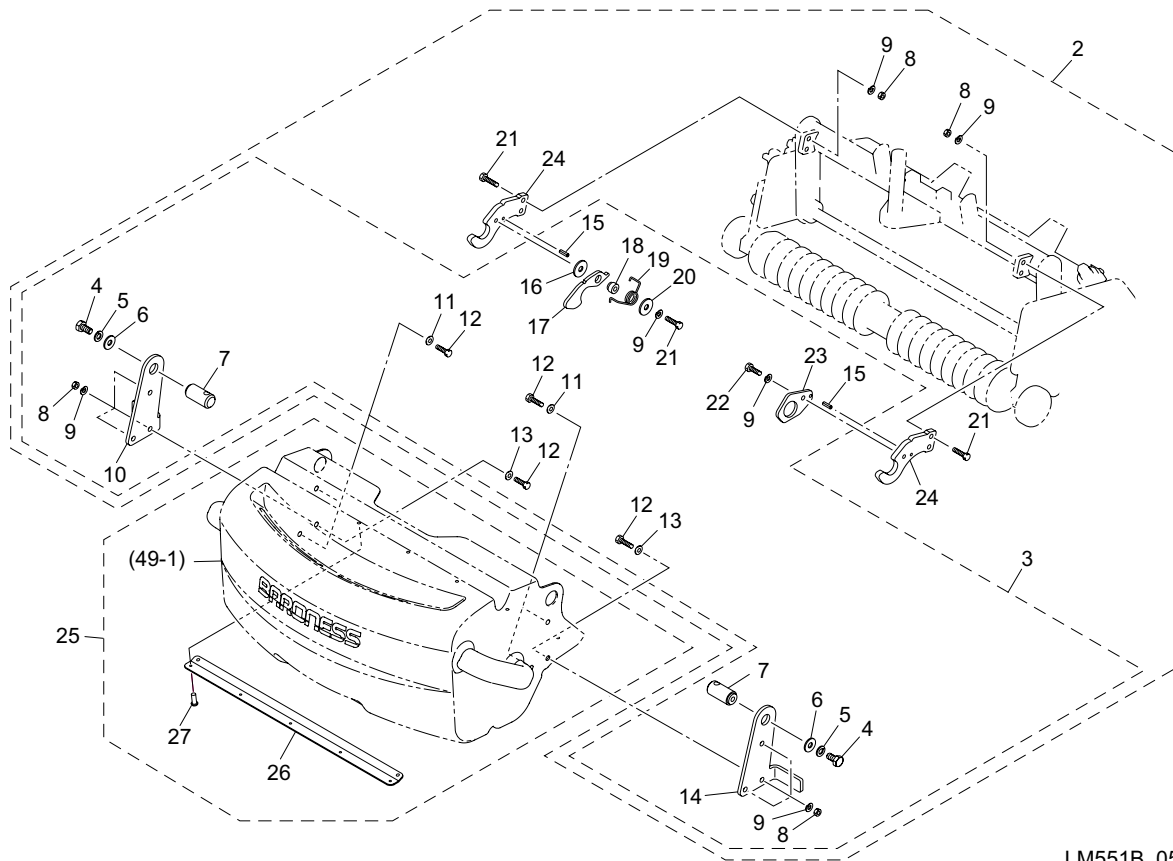


LM551B_049_z00

Cat No.	Code No.	Part name	Qty	Remark	SN of application
49-1	LS62---6001Z0	GRASS CATCHER, 22	1		
49-2	LH52L--6110Z0	BRACKET ASSY L, GRASS CATCHER	1		
49-3	LH66L--6110Z0	BRACKET ASSY L, GRASS CATCHER	1		
49-4	K0000100202	BOLT, M10-20	2		
49-5	K0200100002	WASHER, SPRING M10	2		
49-6	K5073210262	WASHER, SPHC 3.2-10-26	2		
49-7	LS66---6101Z2	PIN, GRASS CATCHER	2		
49-8	K0100080002	NUT, M8	10		
49-9	K0200080002	WASHER, SPRING M8	12		
49-10	LH6690-6102ZD	BRACKET, (RH)	1		
49-11	K5012308352	WASHER, SPCC 2.3-8-35	4		
49-12	K0000080252	BOLT, M8-25	6		
49-13	K5000080002	WASHER, M8	2		
49-14	LH6690-6101ZD	BRACKET, (LH)	1		
49-15	K0320050141	PIN, SPRING M5-14	2		
49-16	LS66---6106ZD	PLATE, MOUNTING	1		
49-17	K0000080202	BOLT, M8-20	1		
49-18	K0000080302	BOLT, M8-30	5		
49-19	K5012308262	WASHER, SPCC 2.3-8-26	1		
49-20	LS66---6105Z8	SPRING, TORSION W/U-SHAPED END (LH)	1		
49-21	LS66---6103Z2	COLLAR, 8.5	1		
49-22	LS66---6102AD	HOOK	1		
49-23	K5051008180	WASHER, C5191P 1-8-18	1		
49-24	LH52---6101ZD	PLATE, MOUNTING	2		
49-25	LS62---6010Z0	GRASS CATCHER COMP, 22	1		
49-26	LS62---6005ZD	PLATE, REINFORCEMENT	1		
49-27	K4510615160	RIVET, BLIND AVEX 1661-0516	5		

50. Grass catcher section B #1 & 2 & 5 (LH52)

LM551B

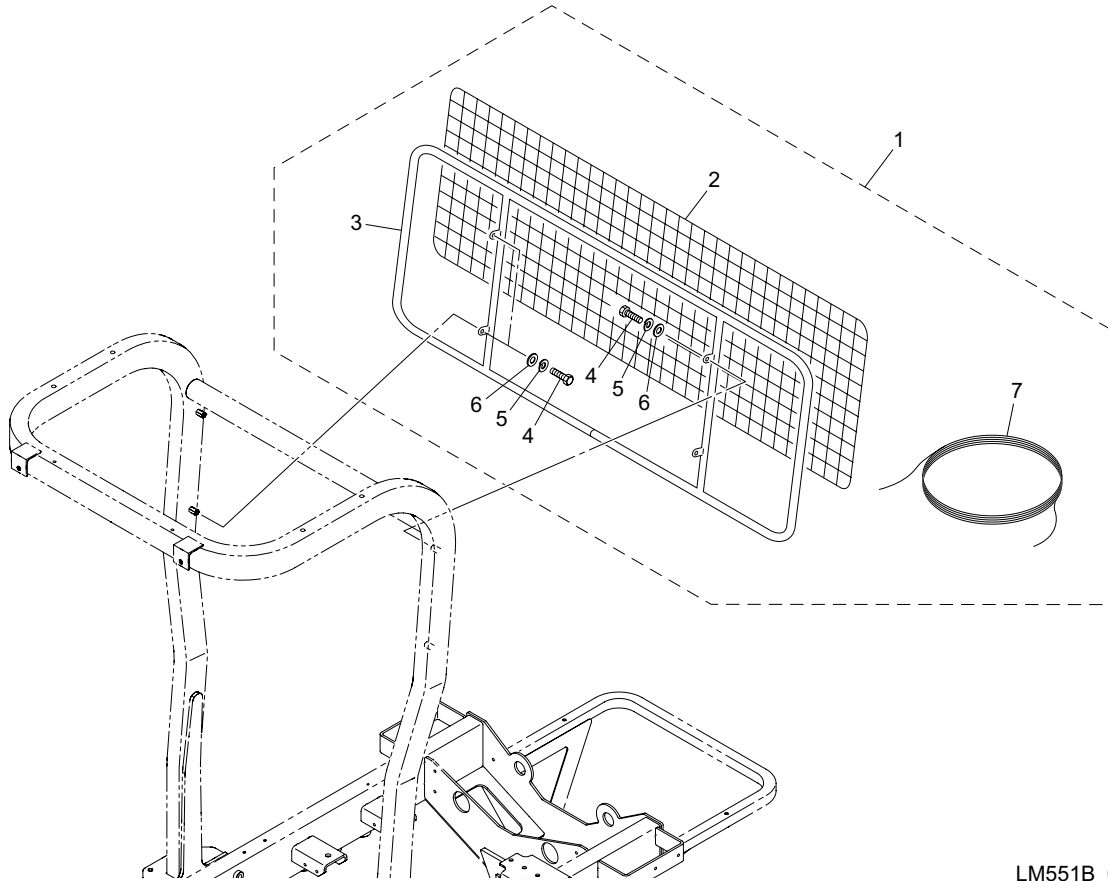


LM551B_050_z00

Cat No.	Code No.	Part name	Qty	Remark	SN of application
50-1					
50-2	LH52R--6110Z0	BRACKET ASSY R, GRASS CATCHER	1		
50-3	LH66R--6110Z0	BRACKET ASSY R, GRASS CATCHER	1		
50-4	K0000100202	BOLT, M10-20	2		
50-5	K0200100002	WASHER, SPRING M10	2		
50-6	K5073210262	WASHER, SPHC 3.2-10-26	2		
50-7	LS66---6101Z2	PIN, GRASS CATCHER	2		
50-8	K0100080002	NUT, M8	10		
50-9	K0200080002	WASHER, SPRING M8	12		
50-10	LH6690-6102ZD	BRACKET, (RH)	1		
50-11	K5012308352	WASHER, SPCC 2.3-8-35	4		
50-12	K0000080252	BOLT, M8-25	6		
50-13	K5000080002	WASHER, M8	2		
50-14	LH6690-6101ZD	BRACKET, (LH)	1		
50-15	K0320050141	PIN, SPRING M5-14	2		
50-16	K5051008180	WASHER, C5191P 1-8-18	1		
50-17	LS66---6102AD	HOOK	1		
50-18	LS66---6103Z2	COLLAR, 8.5	1		
50-19	LS66---6104Z8	SPRING, TORSION W/U-SHAPED END (RH)	1		
50-20	K5012308262	WASHER, SPCC 2.3-8-26	1		
50-21	K0000080302	BOLT, M8-30	5		
50-22	K0000080202	BOLT, M8-20	1		
50-23	LS66---6106ZD	PLATE, MOUNTING	1		
50-24	LH52---6101ZD	PLATE, MOUNTING	2		
50-25	LS62---6010Z0	GRASS CATCHER COMP, 22	1		
50-26	LS62---6005ZD	PLATE, REINFORCEMENT	1		
50-27	K4510615160	RIVET, BLIND AVEX 1661-0516	5		

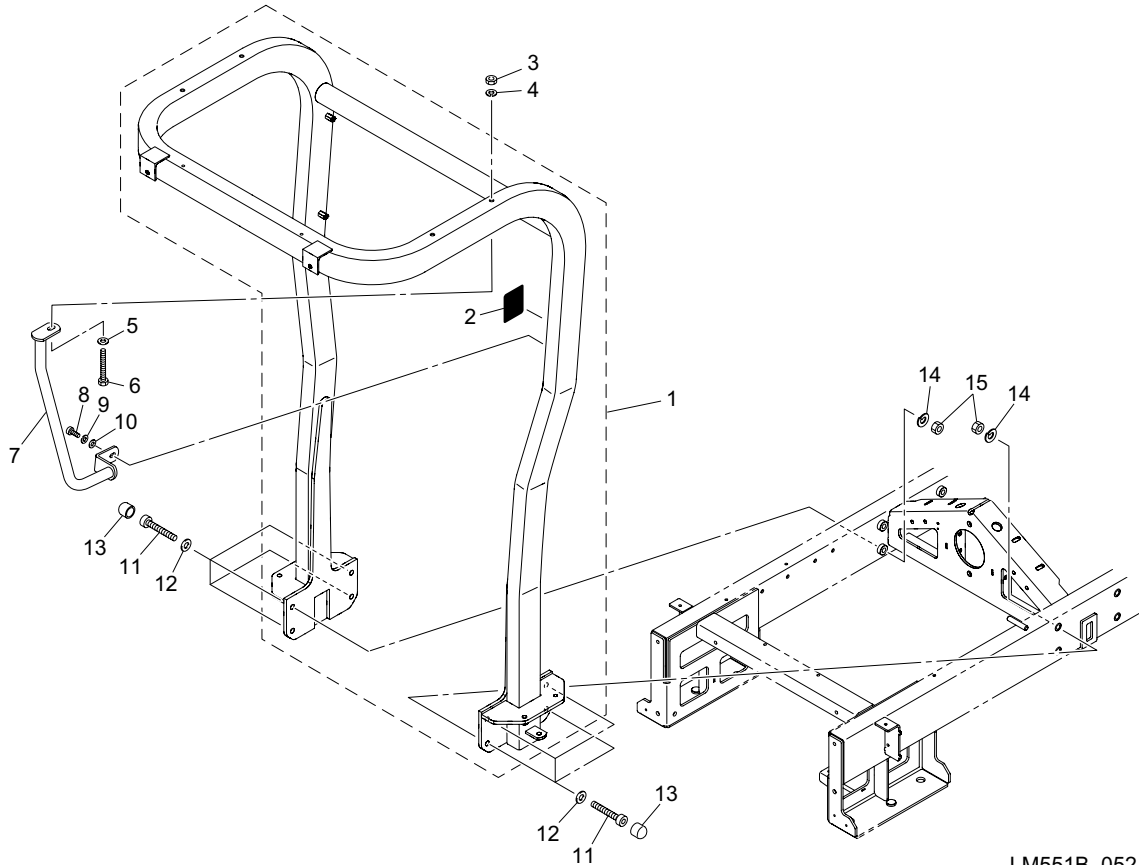
51. Ball proof net section

LM551B



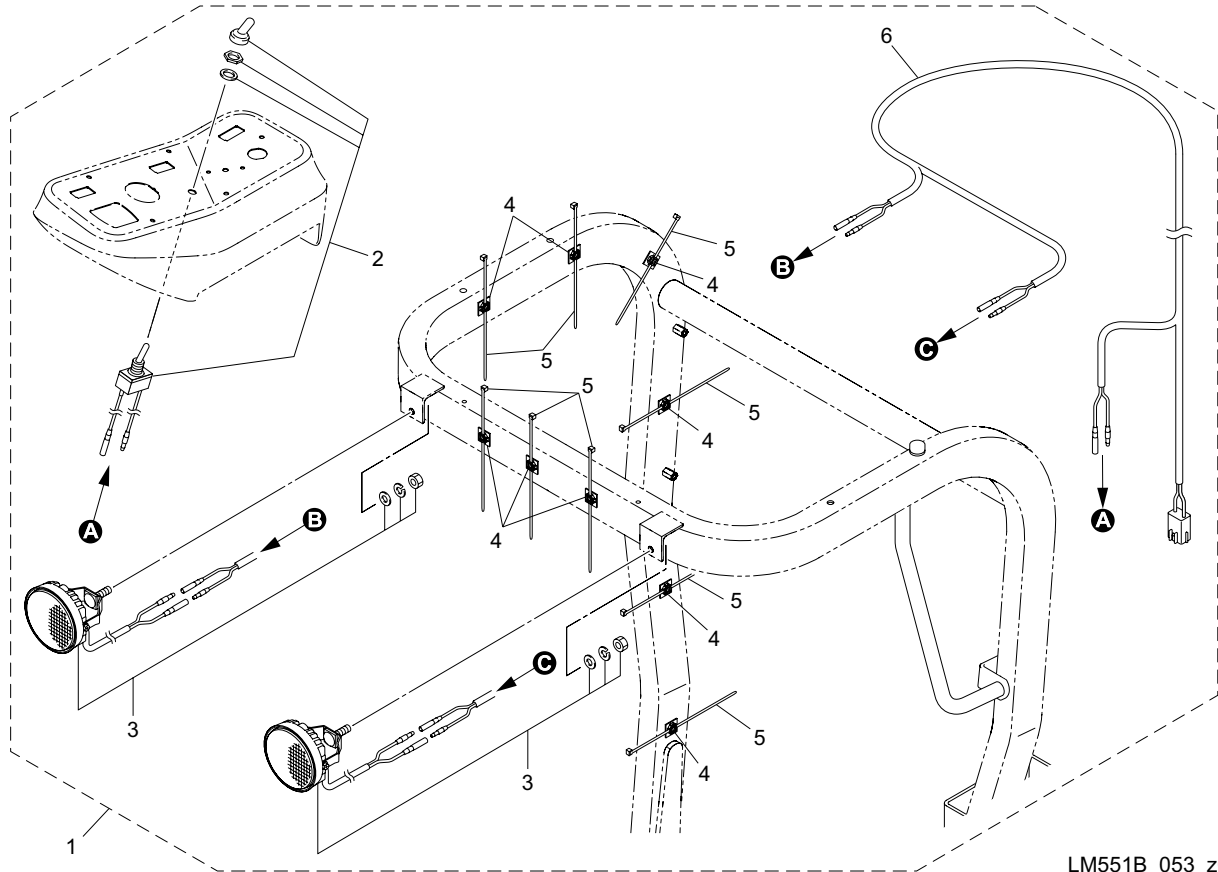
LM551B_051_z00

Cat No.	Code No.	Part name	Qty	Remark	SN of application
51-1	LM551--2701Z0	NET ASSY, BALL PROOF	1		
51-2	K4130000020	NET, PROTECTION 550*1375 S	1		
51-3	LM551--2702ZD	BRACKET, BALL PROTECTION NET	1		
51-4	K0000080202	BOLT, M8-20	3		
51-5	K0200080002	WASHER, SPRING M8	3		
51-6	K5000080002	WASHER, M8	3		
51-7	K4140000020	ROPE, 2-6700S	2		



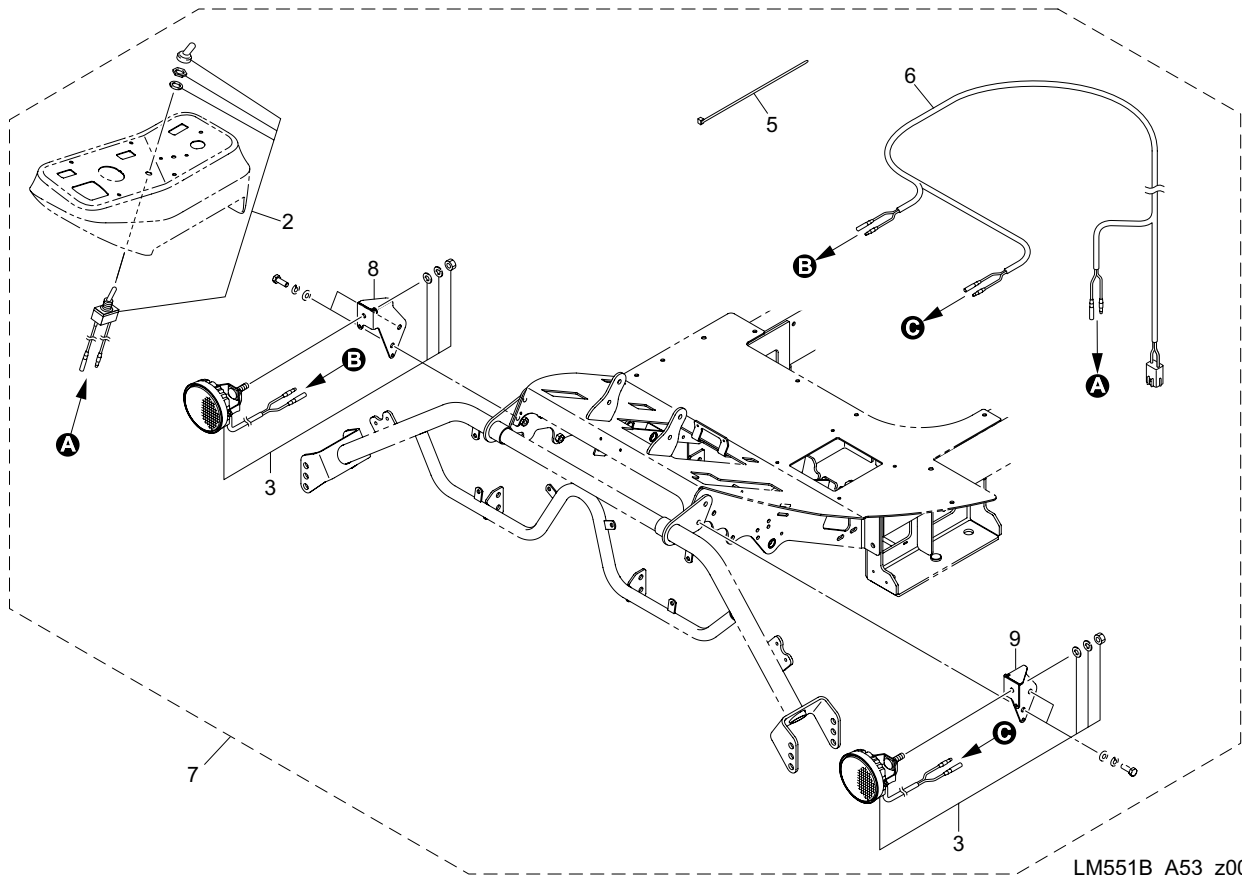
LM551B_052_z00

Cat No.	Code No.	Part name	Qty	Remark	SN of application
52-1	LM551B-2301Z0	ROPS, 2 POSTS W/STICKER	1		
52-2	K4205001710	DECAL, CAUTION ROPS	1		
52-3	K0100100002	NUT, M10	1		
52-4	K0200100002	WASHER, SPRING M10	1		
52-5	K5000100002	WASHER, M10	1		
52-6	K0000101002	BOLT, M10-100	1		
52-7	LM551--2306ZD	BAR, SUPPORTING	1		
52-8	K0000080302	BOLT, M8-30	1		
52-9	K0200080002	WASHER, SPRING M8	1		
52-10	K5000080002	WASHER, M8	1		
52-11	K001A121101	BOLT, 13T W/HEX HOLE M12-110	8		
52-12	K5012313202	WASHER, SPCC 2.3-13-20	8		
52-13	K1310000190	CAP, DOME 17*15L	8		
52-14	K0200120002	WASHER, SPRING M12	8		
52-15	K0191120001	NUT, 10T SCM435H M12	8		



LM551B_053_z00

Cat No.	Code No.	Part name	Qty	Remark	SN of application
53-1	LM551--1301Z0	LAMP KIT	1		
53-2	K3662000110	SWITCH, TOGGLE FOR LAMP WD1011	1		
53-3	K3640000090	LAMP, LED WORKING NS-2556	2		
53-4	K4251000030	FITTING, NYRON SGABM25-AV	9		
53-5	K4241000060	BAND, PLASTIC TRCV-160LW	9		
53-6	LM551--1302Z0	HARNESS, LIGHT	1		

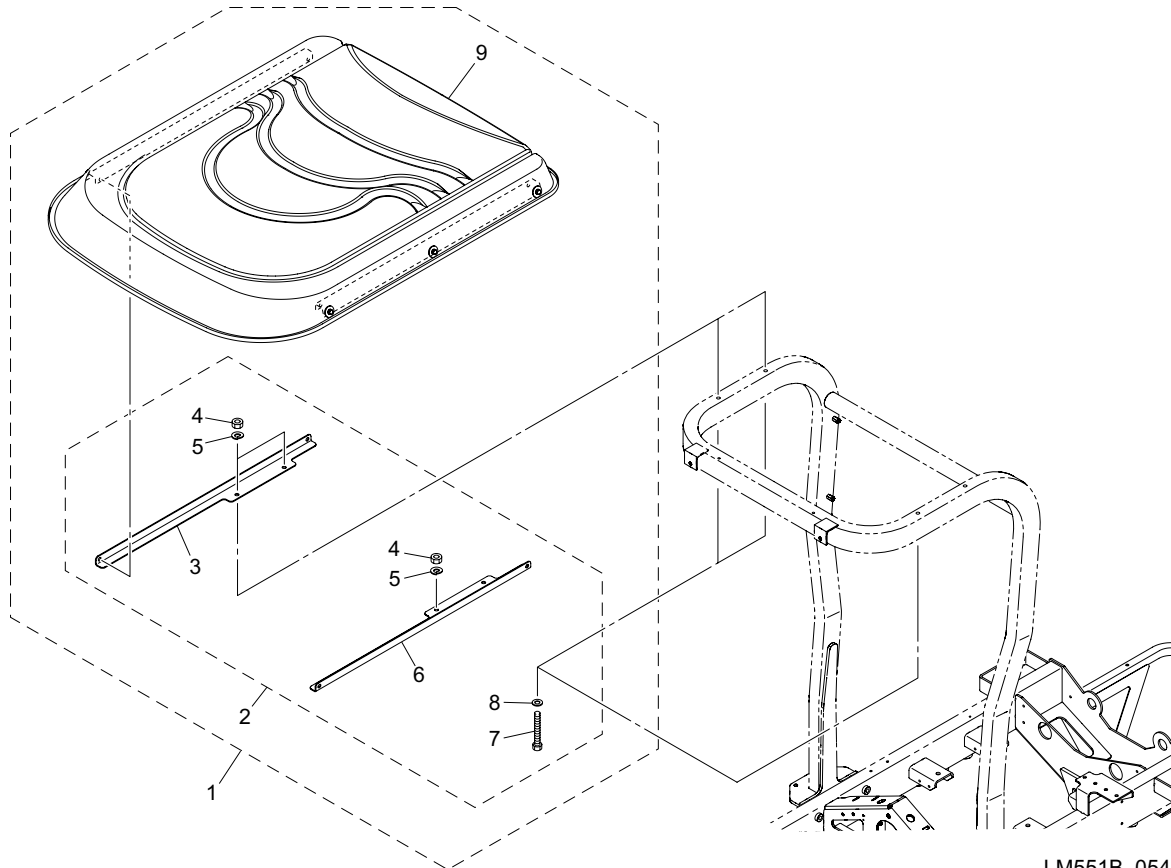


LM551B_A53_z00

Cat No.	Code No.	Part name	Qty	Remark	SN of application
A53b-1					
A53-2	K3662000110	SWITCH, TOGGLE FOR LAMP WD1011	1		
A53-3	K3640000090	LAMP, LED WORKING NS-2556	2		
A53a-4					
A53-5	K4241000060	BAND, PLASTIC TRCV-160LW	9		
A53-6	LM551--1302Z0	HARNESS, LIGHT	1		
A53-7	LM551--1305Z0	LAMP KIT	1		
A53-8	LM551--1304AD	PLATE, MOUNTING WORKING LAMP (RH)	1		
A53-9	LM551--1303AD	PLATE, MOUNTING WORKING LAMP (LH)	1		

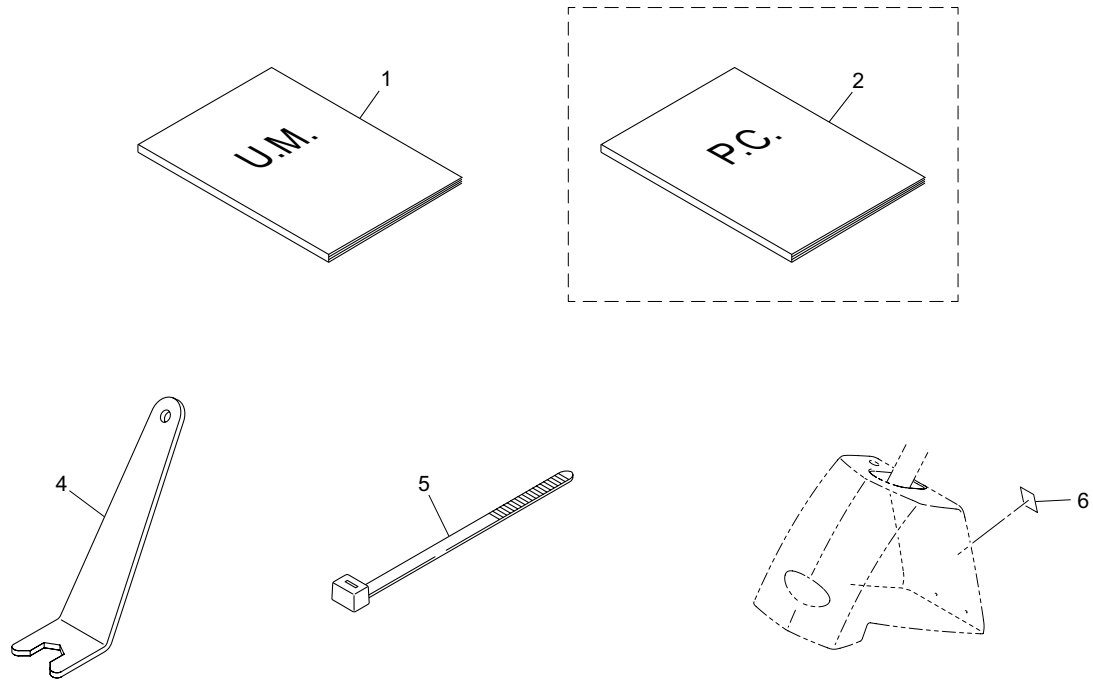
54. Roof section

LM551B



LM551B_054_z00

Cat No.	Code No.	Part name	Qty	Remark	SN of application
54-1	LM551--2801Z0	ROOF ASSY, W/BRACKETS	1		
54-2	LM551--2802Z0	METAL ASSY, MOUNTING AWNING FRAME	1		
54-3	LM551--2804ZD	BRACKET, ROOF (RH)	1		
54-4	K0100100002	NUT, M10	3		
54-5	K0200100002	WASHER, SPRING M10	3		
54-6	LM551--2803ZD	BRACKET, ROOF (LH)	1		
54-7	K0000101002	BOLT, M10-100	3		
54-8	K5000100002	WASHER, M10	3		
54-9	K9120000030	ROOF ASSY	1		



LM551B_055_z00

Cat No.	Code No.	Part name	Qty	Remark	SN of application
55-1	LM551B--UM--GBZ	O-MANUAL, LM551B GB-EN	1		
55-2	LM551B--PC--GBZ	P-CATALOG, LM551B GB-EN	1	Available for sale	
55-3					
55-4	LM551--6101Z2	SPANNER, FOR ROTARY VALVE LOCK NUT	1		
55-5	K4241000040	BAND, PLASTIC TRCV-200W	2		
55-6	LM551B-6201Z0	DECAL, 2D CODE LM551B	1		30175-

BARONESS[®]
Quality on Demand

 **KYOEISHA CO., LTD.**
Head Office 1-26, Miyuki-cho, Toyokawa-city, Tel :+81-533-84-1390
Aichi-pref, 442-8530 JAPAN Fax :+81-533-84-1220