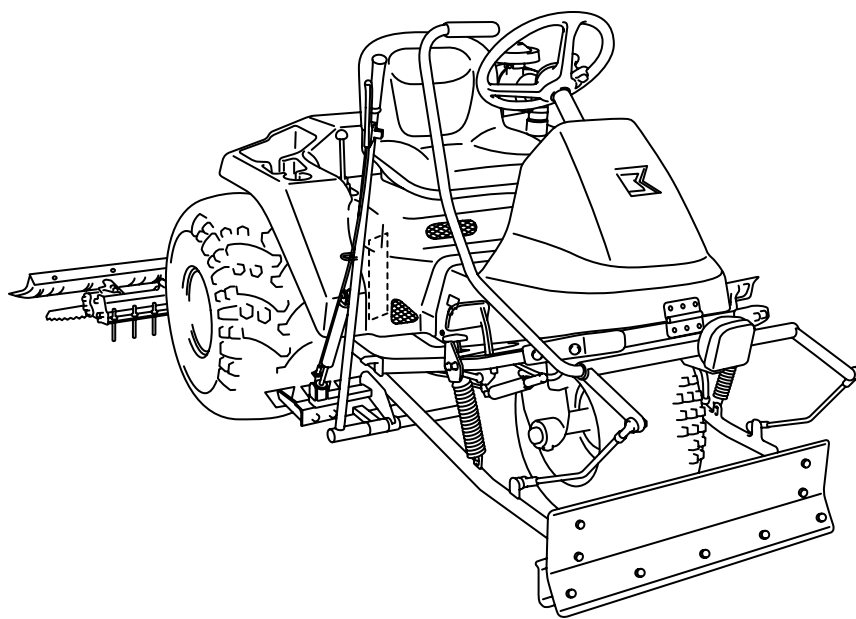


# ***SP05A***

Bunker Rake

## Parts catalog



**BARONESS**<sup>®</sup>  
Quality on Demand

Serial No. SP05A : 21506-

Ver.2.8

## Greetings

---

Thank you for purchasing Baroness product.

This brochure contains the information needed for ordering BARONESS parts.

Search the number indicating the figure of your desired part in the illustration area, and find the same number from among the latter parts of the hyphenated Cat Nos. in the listing area to obtain the individual Code No.

## Notes

---

### 1) For inquiries of parts

Inform us of the model and the serial number of your machine or attachment.

The model and the serial number are indicated on the serial number plate of your machine or attachment.

\* Consult the Owner's Operating Manual for the position where the serial number plate is affixed.

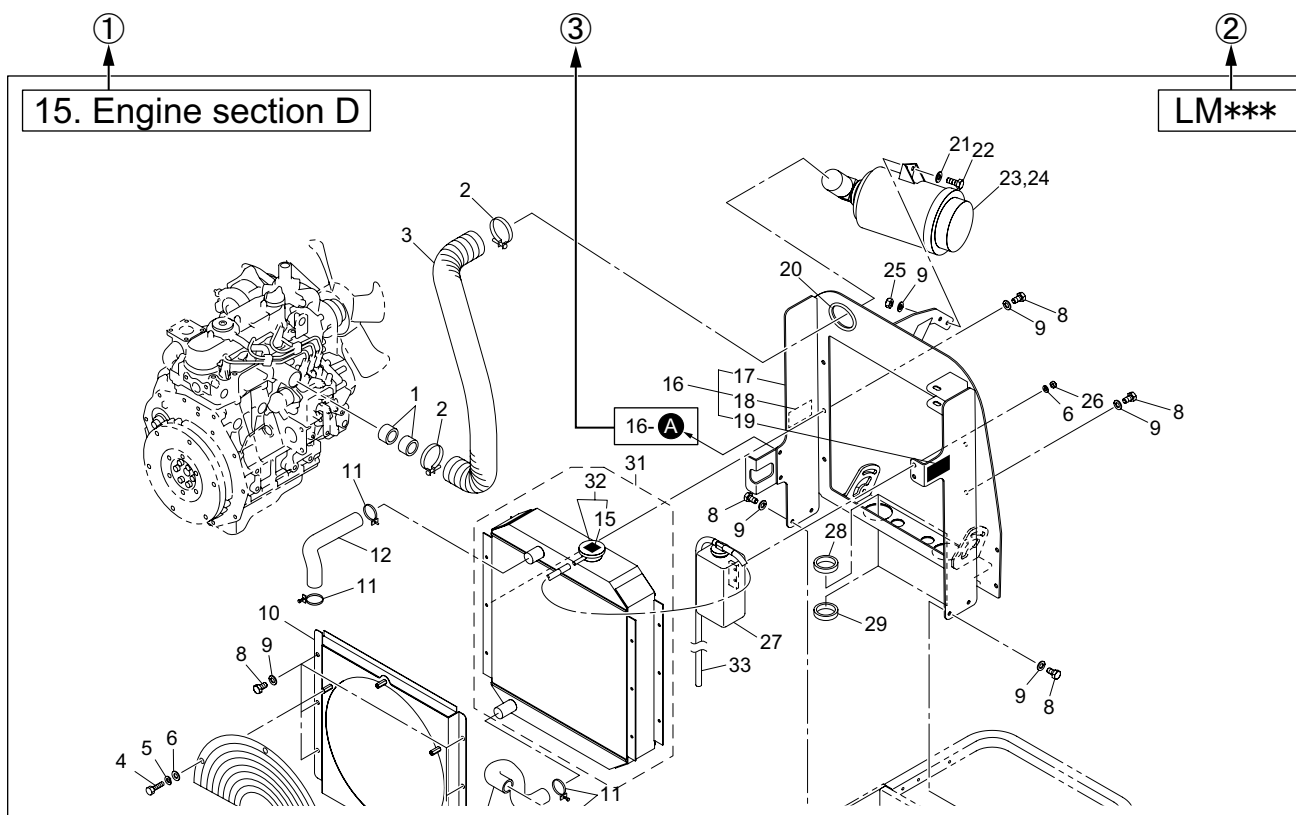
### 2) For ordering parts

- Inform us of the Code No., Part name and order quantity.
- We do not accept returns unless our company is responsible for the issue.
- Use genuine Baroness parts and accessories. The Baroness product warranty may not apply if parts or accessories from other companies are used.

### 3) The information described in this brochure is subject to change without prior notice.

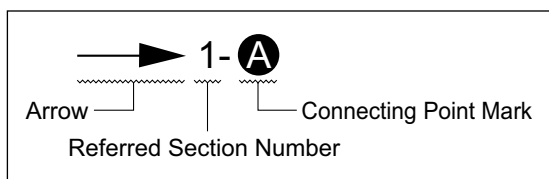
# Description of the content of Parts catalog

## 1) Illustration area



- ① Section No. /Section name
- ② Model
- ③ Indication of the connecting point

The following indication shows the connecting point of the part shown on the other page.



- 1- **A** :  
Refer to the point **A** in the illustration of the section No.1
- 2- **B** :  
Refer to the point **B** in the illustration of the section No.2

Note :

The figures of assembled components or isolated parts do not always show their accurate shapes. The figures are supposed to be used for obtaining the correct code numbers.

## 2) Listing area

| ①<br>Cat No. | ②<br>Code No. | ③<br>Part name              | ④ ⑤<br>Qty |   |   | ⑥<br>Remark | ⑦<br>SN of application |
|--------------|---------------|-----------------------------|------------|---|---|-------------|------------------------|
|              |               |                             |            |   |   |             |                        |
| 1 - 1        | K0000080152   | BOLT, M8-15                 | 2          | 2 | 2 |             |                        |
| 1 - 2        | K0185160002   | NUT, LEFT-HANDED P1.5 M16-3 | 2          | 2 | 2 |             |                        |
| 1 - 3        | K3650000100   | HOUR METER, HH2AS           | 1          | 1 | 1 |             | 10001-10023            |
| 1a- 3        | K3650000130   | HOUR METER, 636DC           | 1          | 1 | 1 |             | 10024-                 |
| 1 - 4        | K0100060002   | NUT, M6                     | 2          | 2 | 2 |             |                        |
| 1 - 5        | K0003080702   | BOLT, M8-70                 | 1          | 1 | 1 |             |                        |
| 1 - 7        | K0830000020   | OIL SEAL, 254210            | 2          | 2 | 2 |             |                        |

### ① Cat No. or Catalog No.

Find the same number as the number indicating the figure of your desired part in the illustration area from among the latter parts of the hyphenated Cat Nos. to obtain the individual Code No.

### ② Code No.

Identification code of an individual part

### ③ Part name

### ④ Qty

Quantity needed per Cat No.

### ⑤ Model

When the quantity differs by models, the models are indicated.

### ⑥ Remark

Specification or description, etc. of the part may be indicated.

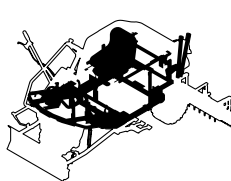
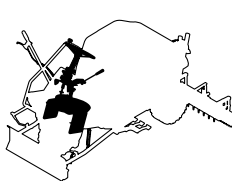
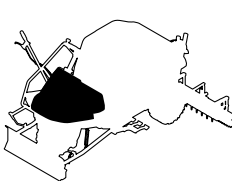
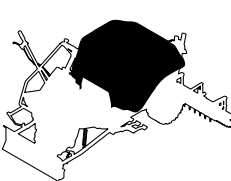
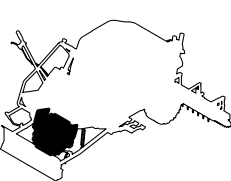
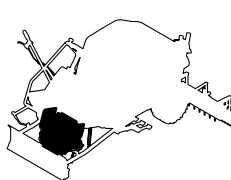
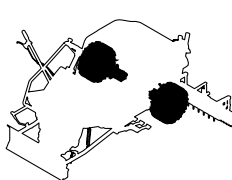
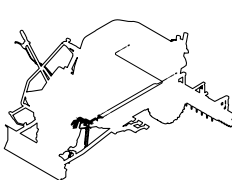
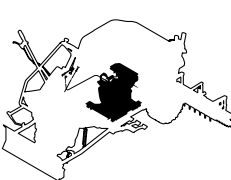
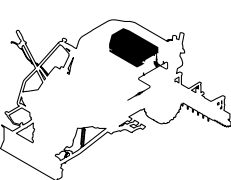
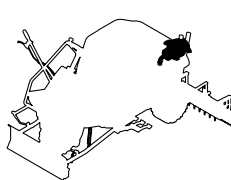
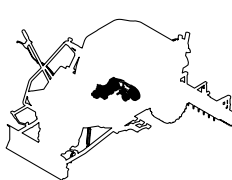
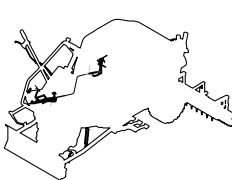
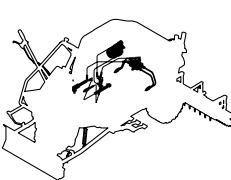
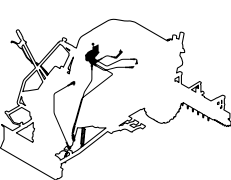
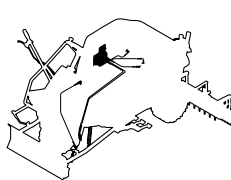
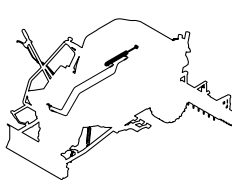
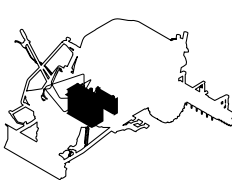
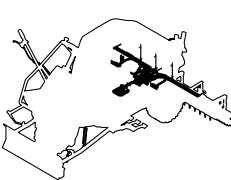
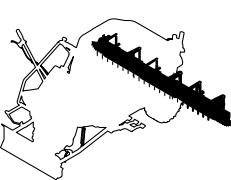
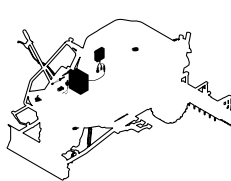
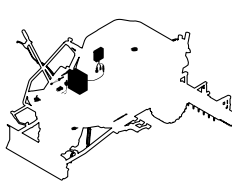
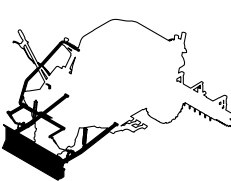
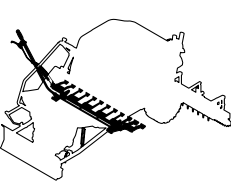
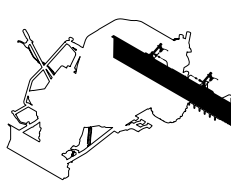
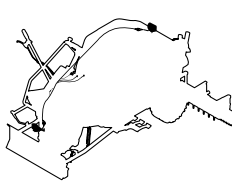
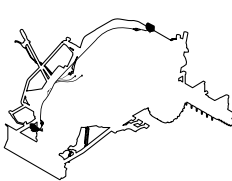
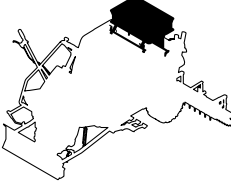
### ⑦ SN of application

In case of part alteration, the serial number ranges of machines to which the alteration is applied will be indicated.

## 3) Indication in case of part alteration

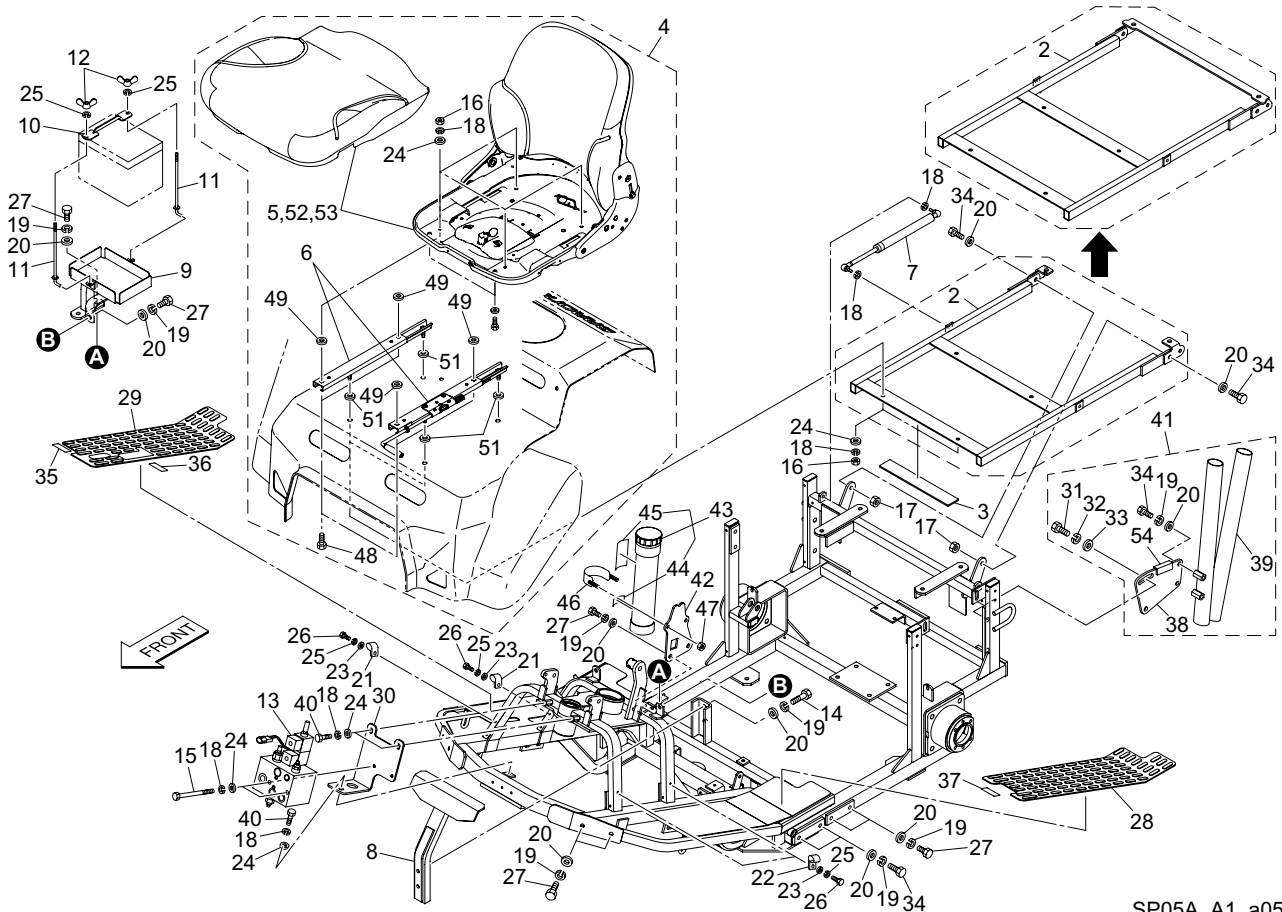
- When a new part and an old one are interchangeable with each other, indication of the old part code No. is discontinued and the new part code No. is solely indicated.
- When a new part and an old one are not interchangeable, the serial number ranges of both machines where the new part is used and those where the old one is used are indicated in the SN of application column.
- When a part is newly added, the serial number range of machines where the part is used is indicated in the SN of application column.
- When a part was previously used but the part is not used in the machine any longer, the serial number range of machines where the part was used is indicated in the SN of application column.

# Contents

|   |  |   |   |  |
|---|--|---|---|--|
| <p>A1. Frame section ..... 1</p>   | <p>2. Steering section ..... 3</p>                    | <p>3. Front Cover section ..... 5</p>                | <p>4. Rear Cover section ..... 7</p>                                | <p>A5. Front wheel section A for 2WD ..... 9</p>                                  |
| <p>B5. Front wheel section B for 3WD ..... 10</p>                              | <p>6. Rear wheel section ..... 12</p>                 | <p>7. Brake section ..... 14</p>                     | <p>8. Engine section A (Engine) ..... 16</p>                        | <p>9. Engine section B (Fuel tank) ..... 18</p>                                   |
| <p>10. Engine section C (Air cleaner) ..... 20</p>                            | <p>11. Traveling connection section A ..... 21</p>   | <p>12. Traveling connection section B ..... 23</p>  | <p>13. Hydraulic section A (Traveling related parts) ..... 25</p>  | <p>14. Hydraulic section B (Switching valve) for 3WD SN21029-21931 ..... 27</p>  |
| <p>A14. Hydraulic section B (Switching valve) for 3WD SN21932- ..... 29</p>  | <p>15. Hydraulic section C (Cylinder) ..... 31</p>  | <p>16. Hydraulic section D ..... 32</p>            | <p>17. Rake section A ... 34</p>                                  | <p>18. Rake section B ... 36</p>    |
| <p>19. Electrical section SN21029-21931 ..... 38</p>                         | <p>A19. Electrical section SN21932- ..... 40</p>    | <p>20. Accessories ..... 42</p>   | <p>21. Front blade section ..... 43</p>                           | <p>22. Sand cultivator section ..... 45</p>                                     |
| <p>23. Finishing brush section ..... 46</p>                                  | <p>24. Light section SN21029-21729 ..... 47</p>     | <p>A24. Light section SN21730- ..... 48</p>        | <p>25. Cargo box KIT section ..... 49</p>                         |  |

# A1. Frame section

SP05A

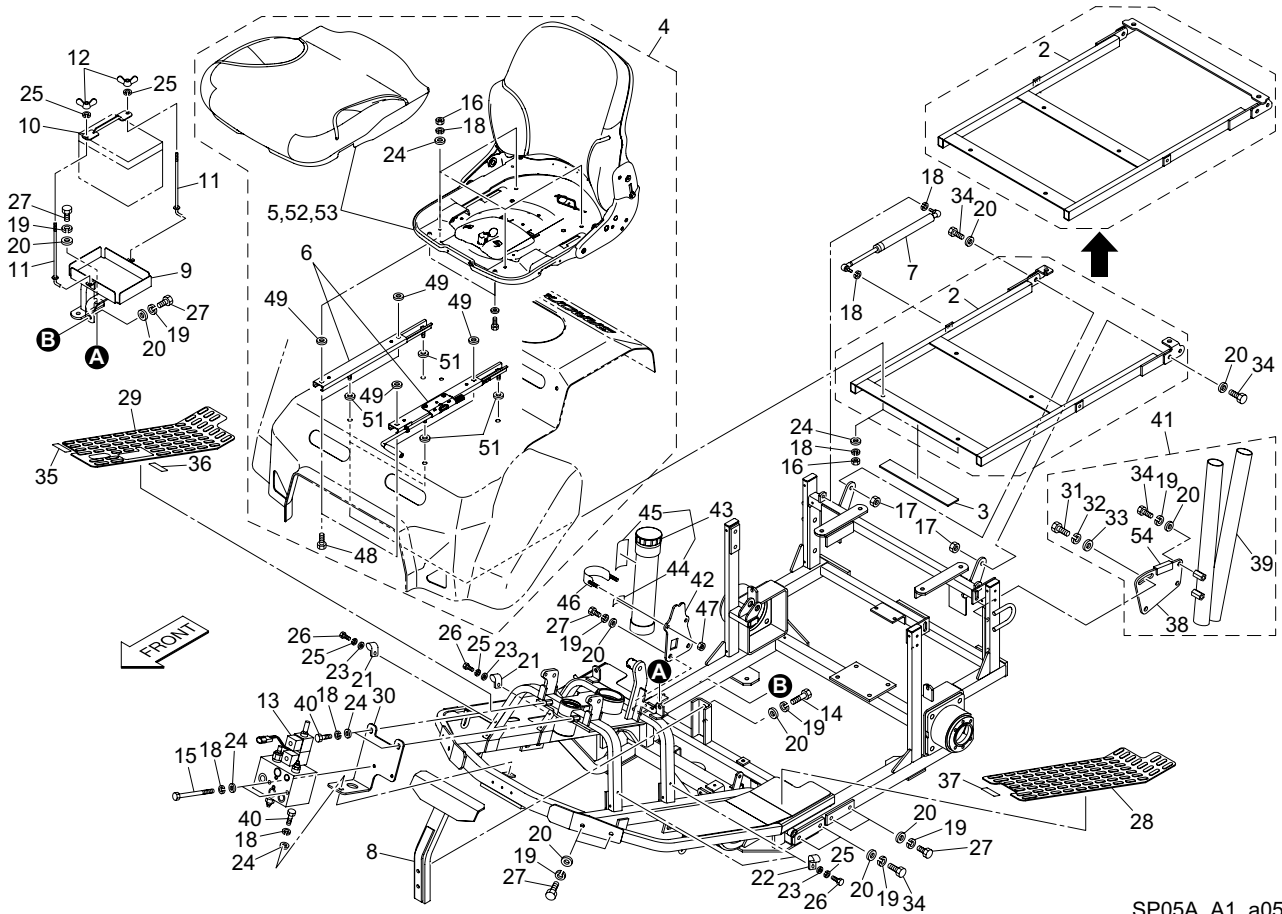


SP05A\_A1\_a05

| Cat No.  | Code No.      | Part name              | Qty | Remark | SN of application |
|----------|---------------|------------------------|-----|--------|-------------------|
| A1 - 1   |               |                        |     |        |                   |
| A1 - 2   | SP05---0102CD | BASE, SEAT             | 1   |        | 21029-21236       |
| A1a - 2  | SP05---0102DD | BASE, SEAT             | 1   |        | 21237-            |
| A1 - 3   | K4033000520   | RUBBER, PLATE 4-40260  | 1   |        |                   |
| A1 - 4   | K1700000510   | SEAT, SGA NC W/RAIL    | 1   |        | 20735-20990       |
| A1a - 4  | K1700000600   | SEAT, SGA NC W/RAIL    | 1   |        | 20991-            |
| A1 - 5   | K1700000450   | SEAT, SGA 18210 NC     | 1   |        | 20735-20990       |
| A1a - 5  | K1700000550   | SEAT, SGA18210 NC      | 1   |        | 20991-            |
| A1 - 6   | K1701000170   | SET, SGA SLIDE RAIL    | 1   |        |                   |
| A1 - 7   | K3381000020   | GAS-SPRING, C20        | 1   |        |                   |
| A1 - 8   | SP05---0103ZD | HOLDER, SEAT BASE      | 1   |        |                   |
| A1 - 9   | SP05---0104BD | BASE, BATTERY          | 1   |        |                   |
| A1 - 10  | SP05---0105AD | CLAMPER, BATTERY       | 1   |        |                   |
| A1 - 11  | SP05---0106B2 | SCREW, HOLDING BATTERY | 2   |        |                   |
| A1 - 12  | K0141060002   | NUT, WING M6-3         | 2   |        |                   |
| A1 - 13  | K3313000320   | VALVE, SOLENOID MODULE | 1   |        |                   |
| A1 - 14  | K0000100402   | BOLT, M10-40           | 2   |        |                   |
| A1 - 15  | K0003081002   | BOLT, M8-100           | 2   |        |                   |
| A1 - 16  | K0100080002   | NUT, M8                | 8   |        |                   |
| A1 - 17  | K0100100002   | NUT, M10               | 2   |        |                   |
| A1 - 18  | K0200080002   | WASHER, SPRING M8      | 15  |        |                   |
| A1a - 19 | K0200100002   | WASHER, SPRING M10     | 19  |        |                   |
| A1a - 20 | K5000100002   | WASHER, M10            | 21  |        |                   |
| A1 - 21  | K4270030080   | CLIP, HARNESS 30 M8    | 2   |        |                   |
| A1 - 22  | K4270050080   | CLIP, HARNESS 50 M8    | 2   |        |                   |
| A1 - 23  | K5000060002   | WASHER, M6             | 4   |        |                   |
| A1 - 24  | K5000080002   | WASHER, M8             | 13  |        |                   |
| A1 - 25  | K0200060002   | WASHER, SPRING M6      | 6   |        |                   |
| A1 - 26  | K0000060152   | BOLT, M6-15            | 4   |        |                   |
| A1a - 27 | K0000100202   | BOLT, M10-20           | 11  |        |                   |

# A1. Frame section

SP05A

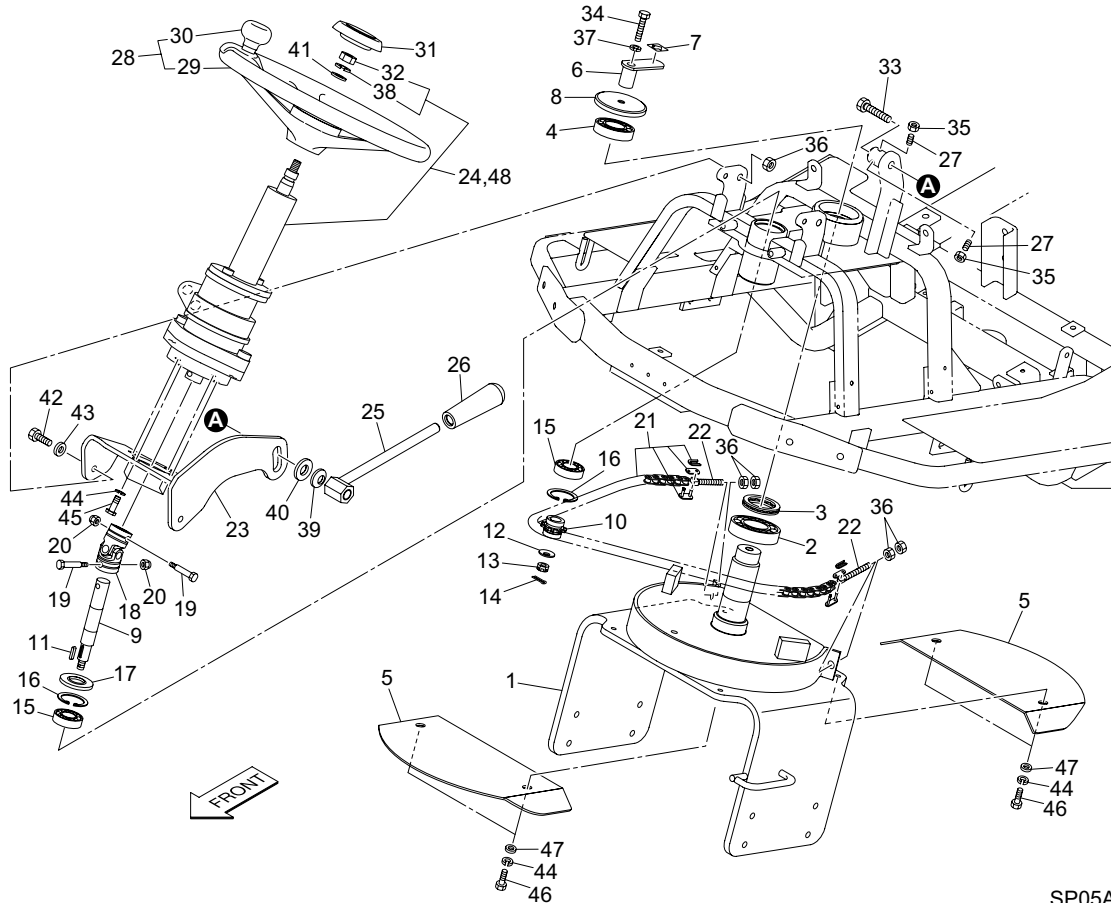


SP05A\_A1\_a05

| Cat No.  | Code No.      | Part name                   | Qty | Remark | SN of application |
|----------|---------------|-----------------------------|-----|--------|-------------------|
| A1 - 28  | SP05---0121Z0 | MAT, STEP (LH)              | 1   |        |                   |
| A1 - 29  | SP05---0120Z0 | MAT, STEP (RH)              | 1   |        |                   |
| A1 - 30  | SP05---0114ZD | BRACKET, VALVE              | 1   |        |                   |
| A1 - 31  | K0000120202   | BOLT, M12-20                | 2   |        |                   |
| A1 - 32  | K0200120002   | WASHER, SPRING M12          | 2   |        |                   |
| A1 - 33  | K5000120002   | WASHER, M12                 | 2   |        |                   |
| A1 - 34  | K0000100302   | BOLT, M10-30                | 8   |        |                   |
| A1 - 35  | K4203001430   | DECAL, FORWARD              | 1   |        |                   |
| A1 - 36  | K4203001440   | DECAL, BACKWARD             | 1   |        |                   |
| A1 - 37  | K4203001450   | DECAL, BRAKE                | 1   |        |                   |
| A1 - 38  | SP05---0109AD | PLATE, MOUNTING BROOM STAND | 1   |        |                   |
| A1 - 39  | SP05---0110ZD | STAND, BROOM                | 1   |        |                   |
| A1 - 40  | K0000080152   | BOLT, M8-15                 | 3   |        |                   |
| A1 - 41  | SP05---0115Z0 | STAND ASSY, BROOM           | 1   |        | 21029-21223       |
| A1a - 41 | SP05---0115A0 | STAND ASSY, BROOM           | 1   |        | 21224-            |
| A1a - 42 | SP05---2124ZD | BRACKET, MANUAL CASE        | 1   |        |                   |
| A1a - 43 | K5920000130   | CASE, FOR MANUALS           | 1   |        |                   |
| A1a - 44 | K4209001300   | DECAL, OWNERS MANUAL        | 1   |        |                   |
| A1a - 45 | K4205001560   | DECAL, READ OWNERS MANUAL   | 1   |        | 21029-21372       |
| A1a - 46 | SP05---2125Z2 | BAND                        | 1   |        |                   |
| A1a - 47 | K0144080002   | NUT, W/F-RING M8            | 2   |        |                   |
| A1 - 48  | K0000080252   | BOLT, M8-25                 | 4   |        |                   |
| A1 - 49  | K5074510262   | WASHER, SPHC 4.5-10-26      | 4   |        |                   |
| A1 - 50  |               |                             |     |        |                   |
| A1 - 51  | K5012308262   | WASHER, SPCC 2.3-8-26       | 4   |        |                   |
| A1 - 52  | K1700000450-1 | SWITCH, NC                  | 1   |        |                   |
| A1 - 53  | K1700000450-2 | HARNESS, SEAT S22808        | 1   |        |                   |
| A1 - 54  | K3197100500   | TRIM, SEAL 100-64-50        | 1   |        | 21224-            |

## 2. Steering section

SP05A

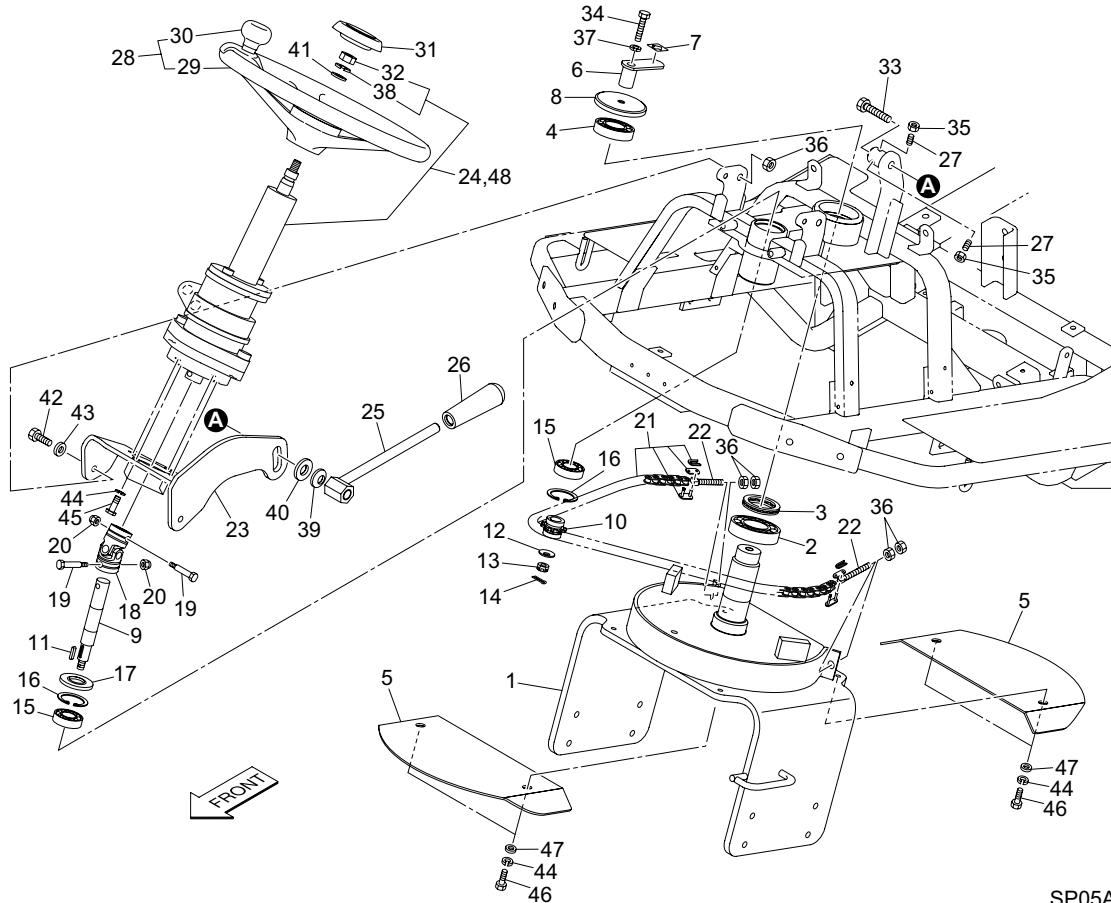


SP05A\_02\_z02

| Cat No. | Code No.      | Part name                       | Qty | Remark | SN of application |
|---------|---------------|---------------------------------|-----|--------|-------------------|
| 2 - 1   | SP05---0201AD | ARM, FRONT WHEEL                | 1   |        |                   |
| 2 - 2   | K0608062070   | BEARING, BALL SEAL 2RS 6207     | 1   |        |                   |
| 2 - 3   | K0640511070   | BEARING, BALL THRUST 51107      | 1   |        |                   |
| 2 - 4   | K0612062060   | BEARING, BALL SEAL 2RD 6206     | 1   |        |                   |
| 2 - 5   | SP05---0202ZD | PLATE, PREVENTING SAND          | 2   |        |                   |
| 2 - 6   | SP05---0203ZR | FITTING, GUIDE                  | 1   |        |                   |
| 2 - 7   | K4209001180   | DECAL, ARROW POINT              | 1   |        |                   |
| 2 - 8   | K620400053D   | COVER, FOR BEARING              | 1   |        |                   |
| 2 - 9   | SP05---0204Z0 | SHAFT, STEERING GEAR            | 1   |        |                   |
| 2 - 10  | K2230000018   | SPROCKET, KEY-SEATED 12.7-9     | 1   |        |                   |
| 2 - 11  | K0500404200   | KEY, BOTH ROUND M4-420          | 1   |        |                   |
| 2 - 12  | K0210100002   | SPRING, CONICAL DISC L M10      | 1   |        |                   |
| 2 - 13  | K0124100002   | NUT, THIN SLOTTED M10           | 1   |        |                   |
| 2 - 14  | K0302025250   | PIN, COTTER SUS M2.5-25         | 1   |        |                   |
| 2 - 15  | K0612060040   | BEARING, BALL SEAL 2RD 6004     | 2   |        |                   |
| 2 - 16  | K0402042001   | RING, RETAINING R M42           | 2   |        |                   |
| 2 - 17  | K0822047060   | OIL SEAL, MHSA20476             | 1   |        |                   |
| 2 - 18  | K1620000220   | JOINT                           | 1   |        |                   |
| 2 - 19  | K6121000370   | SHAFT, THREADED JOINT PIN M8-35 | 2   |        |                   |
| 2 - 20  | K0144060002   | NUT, W/F-RING M6                | 2   |        |                   |
| 2 - 21  | K2210000440   | CHAIN, JOINT EK428SH 45JJ       | 1   |        |                   |
| 2 - 22  | K6122000302   | SCREW, ADJUSTING M10-70         | 2   |        |                   |
| 2 - 23  | SP05---0205AD | BRACKET, HANDLE                 | 1   |        |                   |
| 2 - 24  | K3294000110   | COLUMN ASSY, STEERING           | 1   |        |                   |
| 2 - 25  | SP05---0206ZD | LEVER, TILT                     | 1   |        |                   |
| 2 - 26  | K1300000070   | GRIP, PLASTIC BLACK 9-22        | 1   |        |                   |
| 2 - 27  | K0023080151   | SETSCREW, M8-15                 | 2   |        |                   |
| 2 - 28  | K1710000070   | STEERING, W/KNOB V027220-0000   | 1   |        |                   |
| 2 - 29  | K1710000080   | STEERING, V027220-0101          | 1   |        |                   |
| 2 - 30  | K1710000090   | KNOB ASSY, V027220-0200         | 1   |        |                   |

## 2. Steering section

SP05A

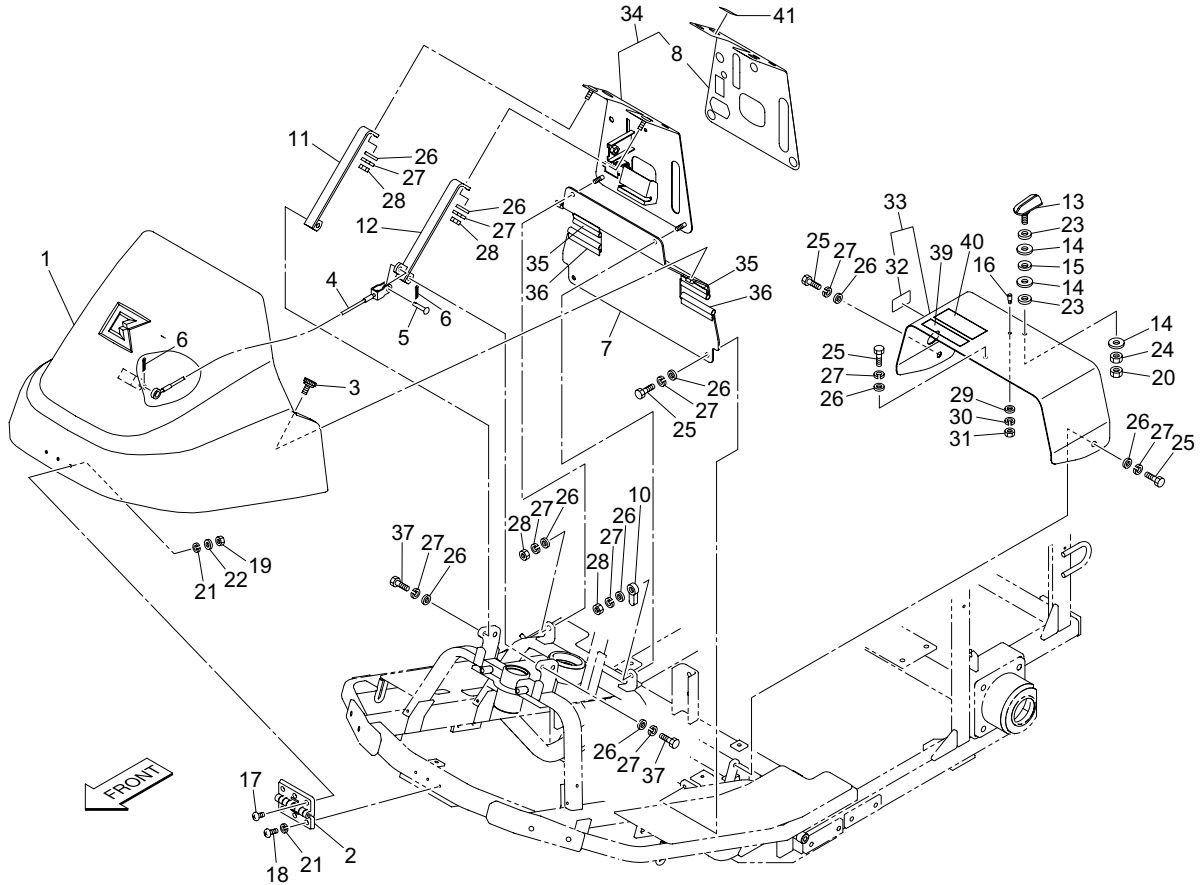


SP05A\_02\_z02

| Cat No. | Code No.      | Part name                  | Qty | Remark | SN of application |
|---------|---------------|----------------------------|-----|--------|-------------------|
| 2 - 31  | K1310000130   | CAP, RUBBER                | 1   |        |                   |
| 2 - 32  | K0108120002   | NUT, P1.25 M12-3           | 1   |        |                   |
| 2 - 33  | K0000120702   | BOLT, M12-70               | 1   |        |                   |
| 2 - 34  | K0010100502   | BOLT, HT M10-50            | 1   |        |                   |
| 2 - 35  | K0100080002   | NUT, M8                    | 2   |        |                   |
| 2 - 36  | K0100100002   | NUT, M10                   | 6   |        |                   |
| 2 - 37  | K0200100002   | WASHER, SPRING M10         | 1   |        |                   |
| 2 - 38  | K0200120002   | WASHER, SPRING M12         | 1   |        |                   |
| 2 - 39  | K0213120002   | WASHER, DISK SPRING 1H M12 | 1   |        |                   |
| 2 - 40  | K5073212352   | WASHER, SPHC 3.2-12-35     | 1   |        |                   |
| 2 - 41  | K5000120002   | WASHER, M12                | 1   |        |                   |
| 2 - 42  | K0000100252   | BOLT, M10-25               | 2   |        |                   |
| 2 - 43  | K5000100002   | WASHER, M10                | 2   |        |                   |
| 2 - 44  | K0200080002   | WASHER, SPRING M8          | 8   |        |                   |
| 2 - 45  | K0000080202   | BOLT, M8-20                | 4   |        |                   |
| 2 - 46  | K0000080152   | BOLT, M8-15                | 4   |        |                   |
| 2 - 47  | K5000080002   | WASHER, M8                 | 4   |        |                   |
| 2 - 48  | K3294000110-2 | SEAL KIT, BA0290A COMP     | 1   |        |                   |
|         |               |                            |     |        |                   |
|         |               |                            |     |        |                   |

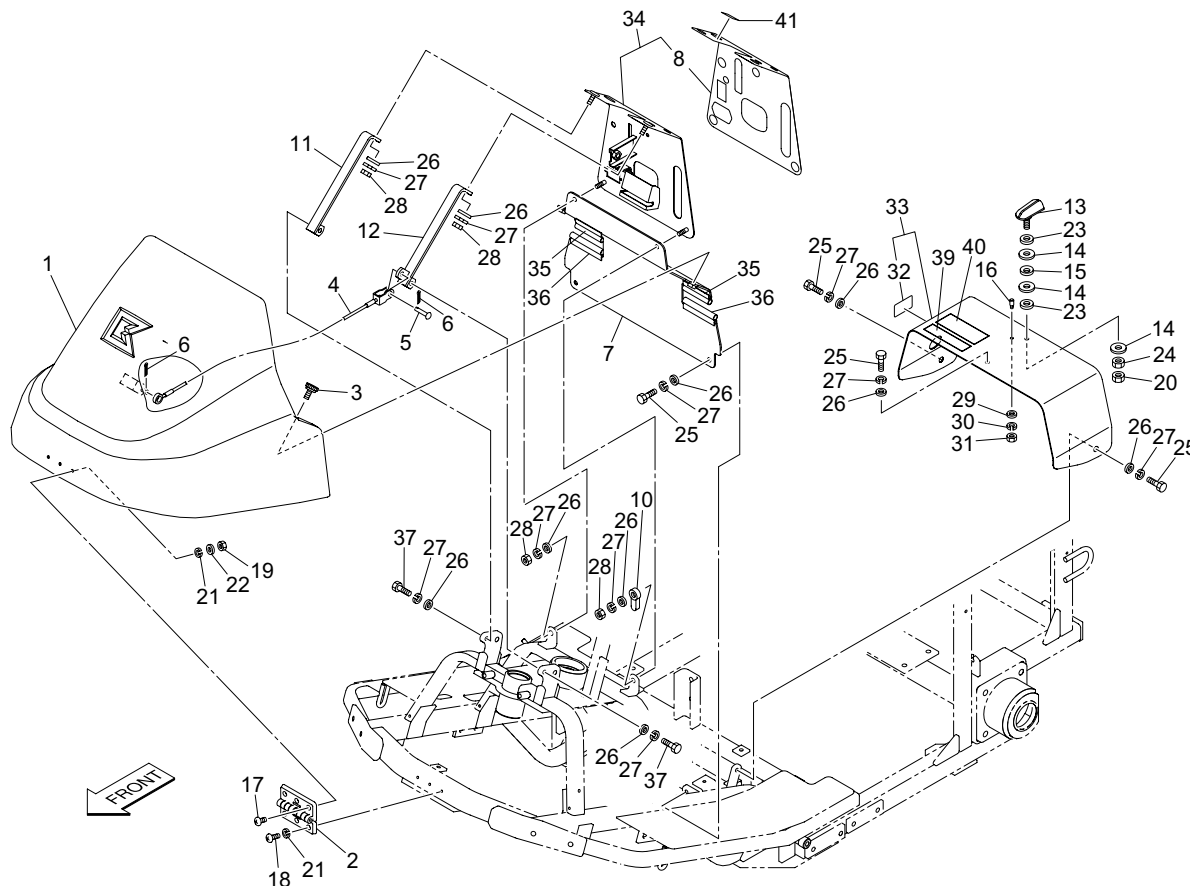
### 3. Front Cover section

SP05A



SP05A\_03\_a04

| Cat No. | Code No.      | Part name                   | Qty | Remark | SN of application |
|---------|---------------|-----------------------------|-----|--------|-------------------|
| 3 - 1   | SP05---0501Z0 | COVER COMP, FRONT           | 1   |        |                   |
| 3 - 2   | K4520000260   | HINGE, RESIN W/HOLE 5.2-100 | 1   |        |                   |
| 3 - 3   | K1320000250   | KNOB, DIMPLE M8-16          | 2   |        |                   |
| 3 - 4   | K1170037000   | WIRE, HOOK 370              | 1   |        |                   |
| 3 - 5   | K6040060282   | PIN, ROUND HEAD M6-28       | 1   |        |                   |
| 3 - 6   | K0300020202   | PIN, COTTER M2-20           | 2   |        |                   |
| 3 - 7   | SP05---0521BR | COVER, FRONT TIRE           | 1   |        | 21029-21931       |
| 3 - 8   | SP05---0560C0 | DECAL, OPERATION            | 1   |        | 21932-            |
| 3a - 8  | SP05---0560D0 | DECAL, OPERATION            | 1   |        |                   |
| 3a - 9  |               |                             |     |        |                   |
| 3 - 10  | K4281000030   | CLAMP, HARNESS 10.5 50      | 1   |        |                   |
| 3 - 11  | SP05---0535AD | STAY, PANEL (RH)            | 1   |        |                   |
| 3 - 12  | SP05---0536AD | STAY, PANEL (LH)            | 1   |        |                   |
| 3 - 13  | SP05---0542ZR | CLAMPER, COVER              | 1   |        |                   |
| 3 - 14  | K5051010220   | WASHER, C5191P 1-10-22      | 3   |        |                   |
| 3 - 15  | K0210100002   | SPRING, CONICAL DISC L M10  | 1   |        |                   |
| 3 - 16  | K0071001122   | PIN, M8 W/TAPPED M6-16      | 1   |        |                   |
| 3 - 17  | K0042050202   | SCREW, + ROUND HEAD M5-20   | 3   |        |                   |
| 3 - 18  | K0042050152   | SCREW, + ROUND HEAD M5-15   | 3   |        |                   |
| 3 - 19  | K0100050002   | NUT, M5                     | 3   |        |                   |
| 3 - 20  | K0102100002   | NUT, M10-3                  | 1   |        |                   |
| 3 - 21  | K0200050002   | WASHER, SPRING M5           | 6   |        |                   |
| 3 - 22  | K5000050002   | WASHER, M5                  | 3   |        |                   |
| 3 - 23  | K5000100002   | WASHER, M10                 | 2   |        |                   |
| 3 - 24  | K0100100002   | NUT, M10                    | 1   |        |                   |
| 3 - 25  | K0000080152   | BOLT, M8-15                 | 5   |        |                   |
| 3 - 26  | K5000080002   | WASHER, M8                  | 11  |        |                   |
| 3 - 27  | K0200080002   | WASHER, SPRING M8           | 11  |        |                   |
| 3 - 28  | K0100080002   | NUT, M8                     | 4   |        |                   |
| 3 - 29  | K5000060002   | WASHER, M6                  | 1   |        |                   |

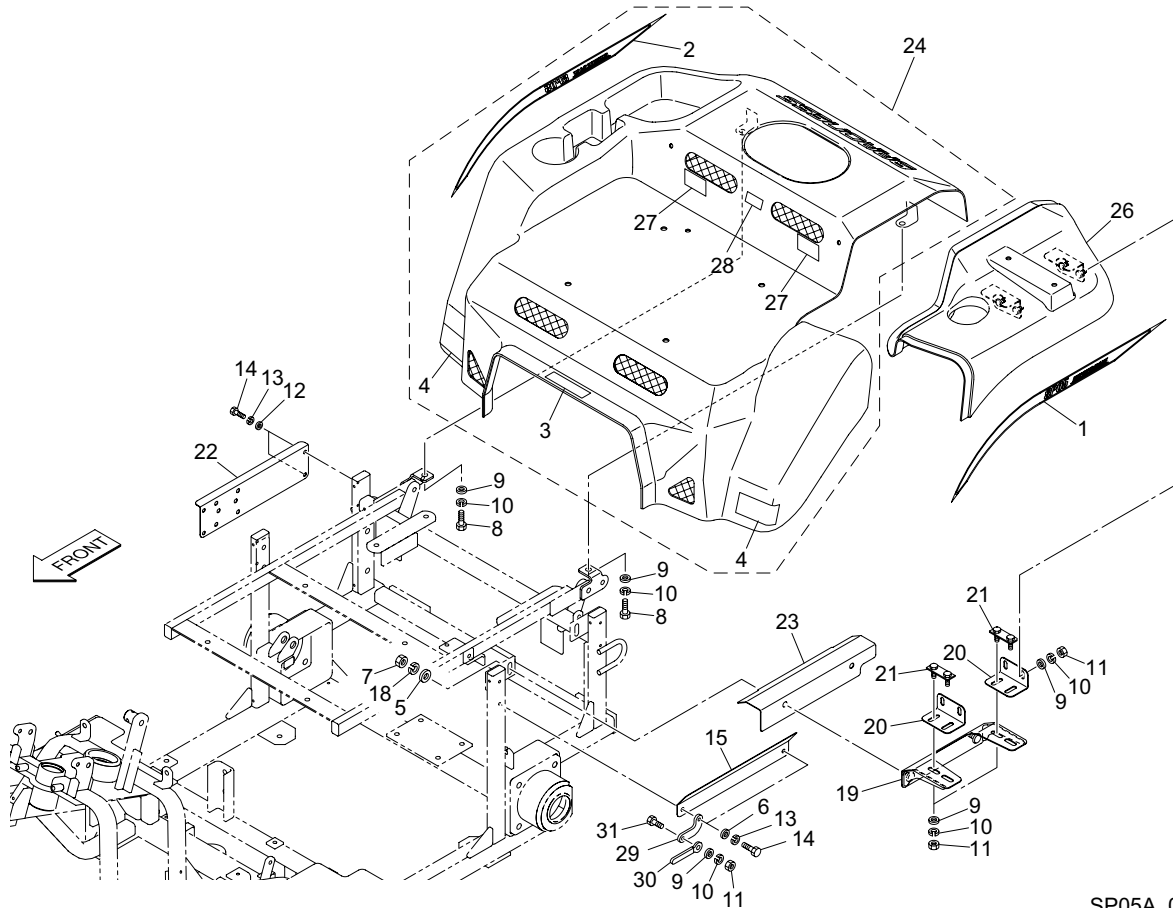


SP05A\_03\_a04

| Cat No. | Code No.      | Part name                              | Qty | Remark | SN of application |
|---------|---------------|--|-----|--------|-------------------|
| 3 - 30  | K0200060002   | WASHER, SPRING M6                      | 1   |        |                   |
| 3 - 31  | K0100060002   | NUT, M6                                | 1   |        |                   |
| 3 - 32  | K4209001390   | DECAL, HYDRAULIC OIL                   | 1   |        |                   |
| 3 - 33  | SP05---0540B0 | COVER COMP, HYDRAULIC TANK             | 1   |        |                   |
| 3 - 34  | SP05---2530A0 | PANEL COMP, OPERATION                  | 1   |        | 21029-21931       |
| 3a - 34 | SP05---2530B0 | PANEL COMP, OPERATION                  | 1   |        | 21932-            |
| 3 - 35  | K3198300800   | TRIM, SEAL 6100-32C-0080               | 2   |        |                   |
| 3 - 36  | K3198300900   | TRIM, SEAL 6100-32C-0090               | 2   |        |                   |
| 3 - 37  | K0000080202   | BOLT, M8-20                            | 2   |        |                   |
| 3a - 38 |               |  |     |        |                   |
| 3a - 39 | K4205002200   | DECAL, WARNING SPARK ARRESTER          | 1   |        | 21029-21505       |
| 3a - 40 | K4205002140   | DECAL, WARNING CA P65 FOR RIDING MOWER | 1   |        | 21029-21505       |
| 3 - 41  | K4205002090   | DECAL, CAUTION NOISE                   | 1   |        |                   |
|         |               |  |     |        |                   |
|         |               |  |     |        |                   |
|         |               |  |     |        |                   |
|         |               |  |     |        |                   |

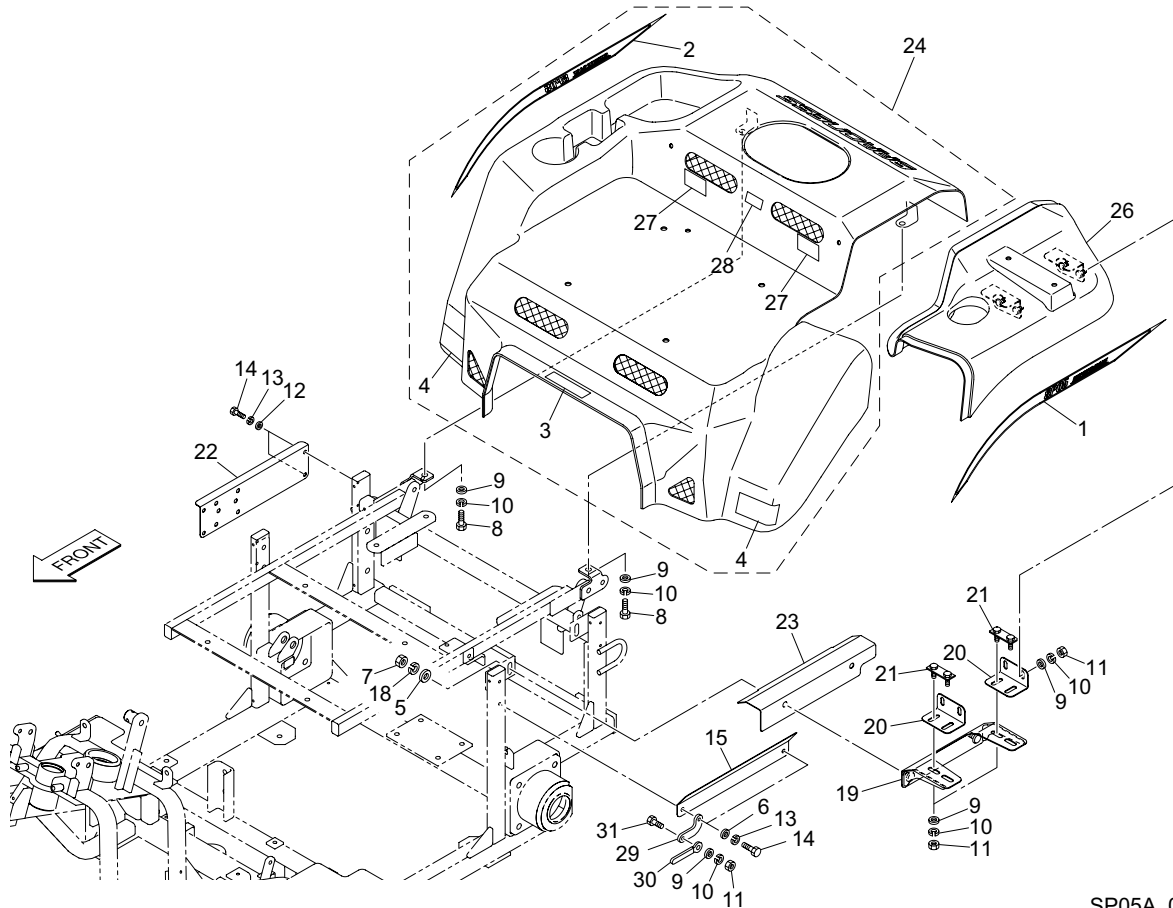
# 4. Rear Cover section

SP05A



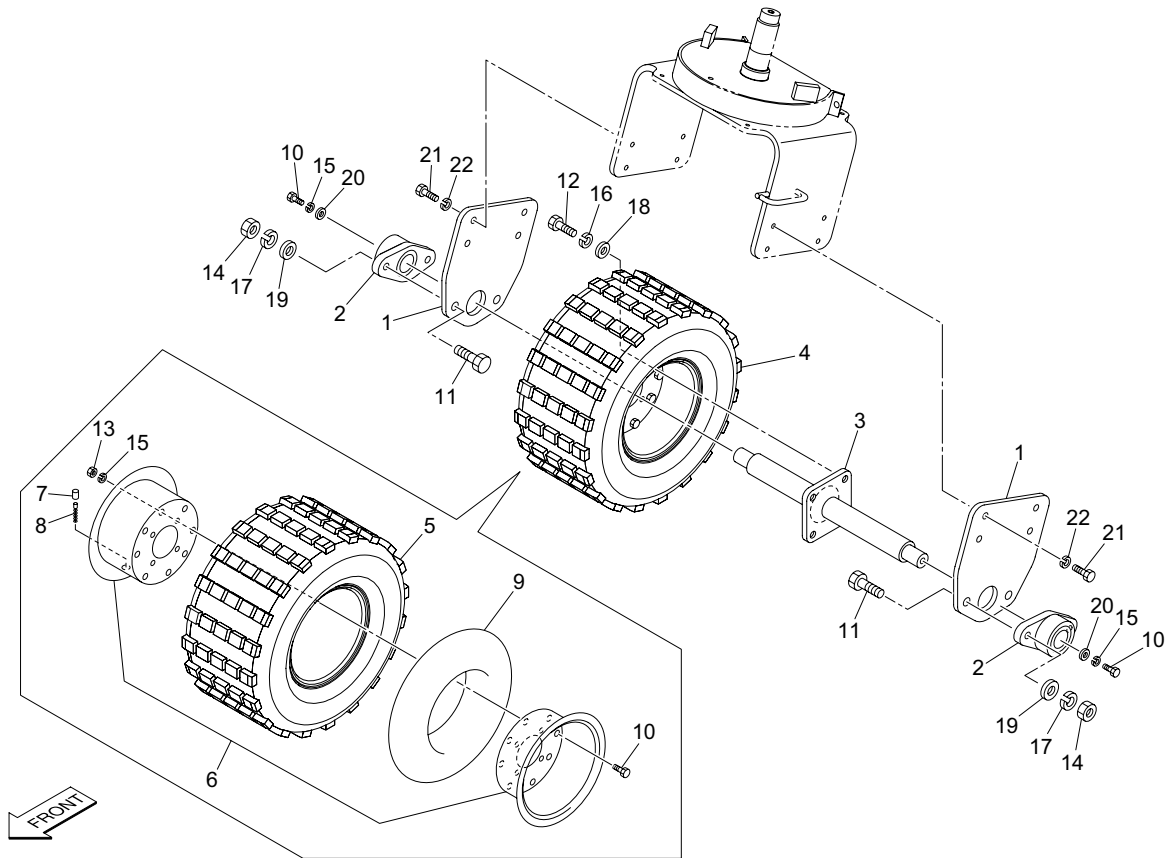
SP05A\_04\_z07

| Cat No. | Code No.      | Part name                                | Qty | Remark | SN of application |
|---------|---------------|--|-----|--------|-------------------|
| 4 - 1   | SP05A--0502Z0 | DECAL, SP05A (LH)                        | 1   |        |                   |
| 4 - 2   | SP05A--0503Z0 | DECAL, SP05A (RH)                        | 1   |        |                   |
| 4 - 3   | SP05---0515Z0 | TAPE, ABRASION PROOF                     | 1   |        |                   |
| 4 - 4   | K4205001930   | DECAL, CAUTION GETTING CAUGHT HANDS/FEET | 2   |        |                   |
| 4 - 5   | K5000100002   | WASHER, M10                              | 2   |        |                   |
| 4 - 6   | K5011606202   | WASHER, SPCC 1.6-6-20                    | 2   |        |                   |
| 4 - 7   | K0100100002   | NUT, M10                                 | 2   |        |                   |
| 4 - 8   | K0000080152   | BOLT, M8-15                              | 2   |        | 21029-21236       |
| 4 a- 8  | K0000080202   | BOLT, M8-20                              | 2   |        | 21237-            |
| 4 - 9   | K5000080002   | WASHER, M8                               | 10  |        | 21029-21485       |
| 4 a- 9  | K5000080002   | WASHER, M8                               | 11  |        | 21486-            |
| 4 - 10  | K0200080002   | WASHER, SPRING M8                        | 10  |        | 21029-21485       |
| 4 a- 10 | K0200080002   | WASHER, SPRING M8                        | 11  |        | 21486-            |
| 4 - 11  | K0100080002   | NUT, M8                                  | 8   |        | 21029-21485       |
| 4 a- 11 | K0100080002   | NUT, M8                                  | 9   |        | 21486-            |
| 4 - 12  | K5000060002   | WASHER, M6                               | 4   |        |                   |
| 4 - 13  | K0200060002   | WASHER, SPRING M6                        | 6   |        |                   |
| 4 - 14  | K0000060152   | BOLT, M6-15                              | 6   |        |                   |
| 4 - 15  | SP05---0561ZD | PLATE, PREVENTING SAND                   | 1   |        |                   |
| 4 - 16  |               |  |     |        |                   |
| 4 - 17  |               |  |     |        |                   |
| 4 - 18  | K0200100002   | WASHER, SPRING M10                       | 2   |        |                   |
| 4 - 19  | SP05---2508ZD | BRACKET, COVER                           | 1   |        |                   |
| 4 - 20  | SP05---2509ZD | ADJUSTER                                 | 2   |        |                   |
| 4 - 21  | SP05---2510Z2 | FITTING, ADJUSTER                        | 2   |        |                   |
| 4 - 22  | SP05---2604ZD | MOUNT, SUBSTRATE                         | 1   |        |                   |
| 4 - 23  | SP05A--0505Z0 | BOARD, ADIABATIC (LH)                    | 1   |        |                   |
| 4 - 24  | SP05A--0504C0 | COVER ASSY, REAR                         | 1   |        | 21029-21372       |
| 4 a- 24 | SP05A--0504D0 | COVER ASSY, REAR                         | 1   |        | 21373-21931       |
| 4 b- 24 | SP05A--0506Z0 | COVER ASSY, REAR                         | 1   |        | 21932-            |



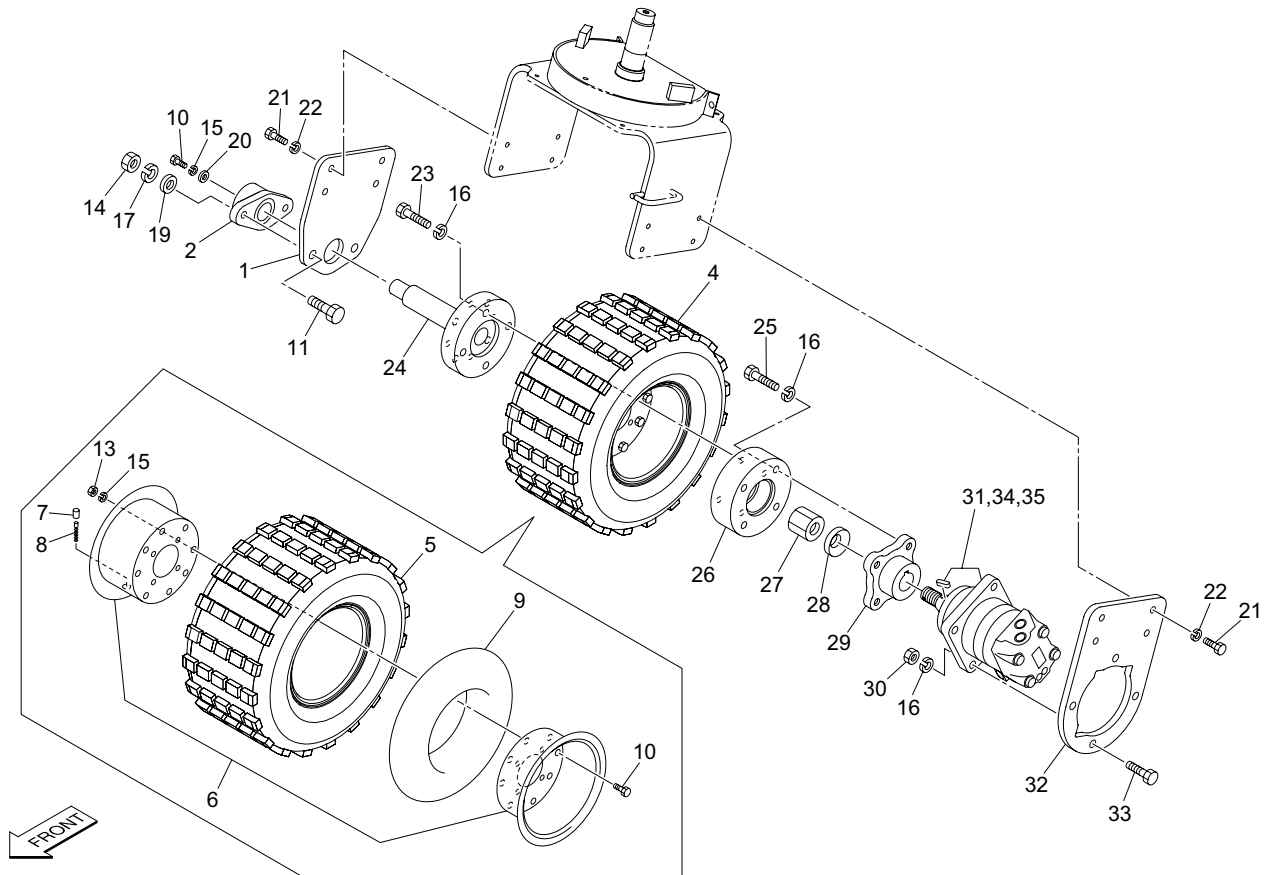
SP05A\_04\_z07

| Cat No. | Code No.      | Part name                | Qty | Remark | SN of application |
|---------|---------------|--------------------------|-----|--------|-------------------|
| 4 - 25  |               |                          |     |        |                   |
| 4 - 26  | SP05---2505Z0 | COVER COMP, REAR SIDE    | 1   |        |                   |
| 4 - 27  | K4033000430   | RUBBER, PLATE 1-3045     | 2   |        | 21029-21372       |
| 4 - 28  | K4033000430   | RUBBER, PLATE 1-3045     | 1   |        | 21373-            |
| 4 - 29  | SP05A--0307ZD | PLATE, MOUNTING L SHAPED | 1   |        | 21486-            |
| 4 - 30  | K4281000020   | CLAMP, HARNESS 8.5 80    | 1   |        | 21486-            |
| 4 - 31  | K0000080152   | BOLT, M8-15              | 1   |        | 21486-            |
|         |               |                          |     |        |                   |
|         |               |                          |     |        |                   |
|         |               |                          |     |        |                   |
|         |               |                          |     |        |                   |
|         |               |                          |     |        |                   |



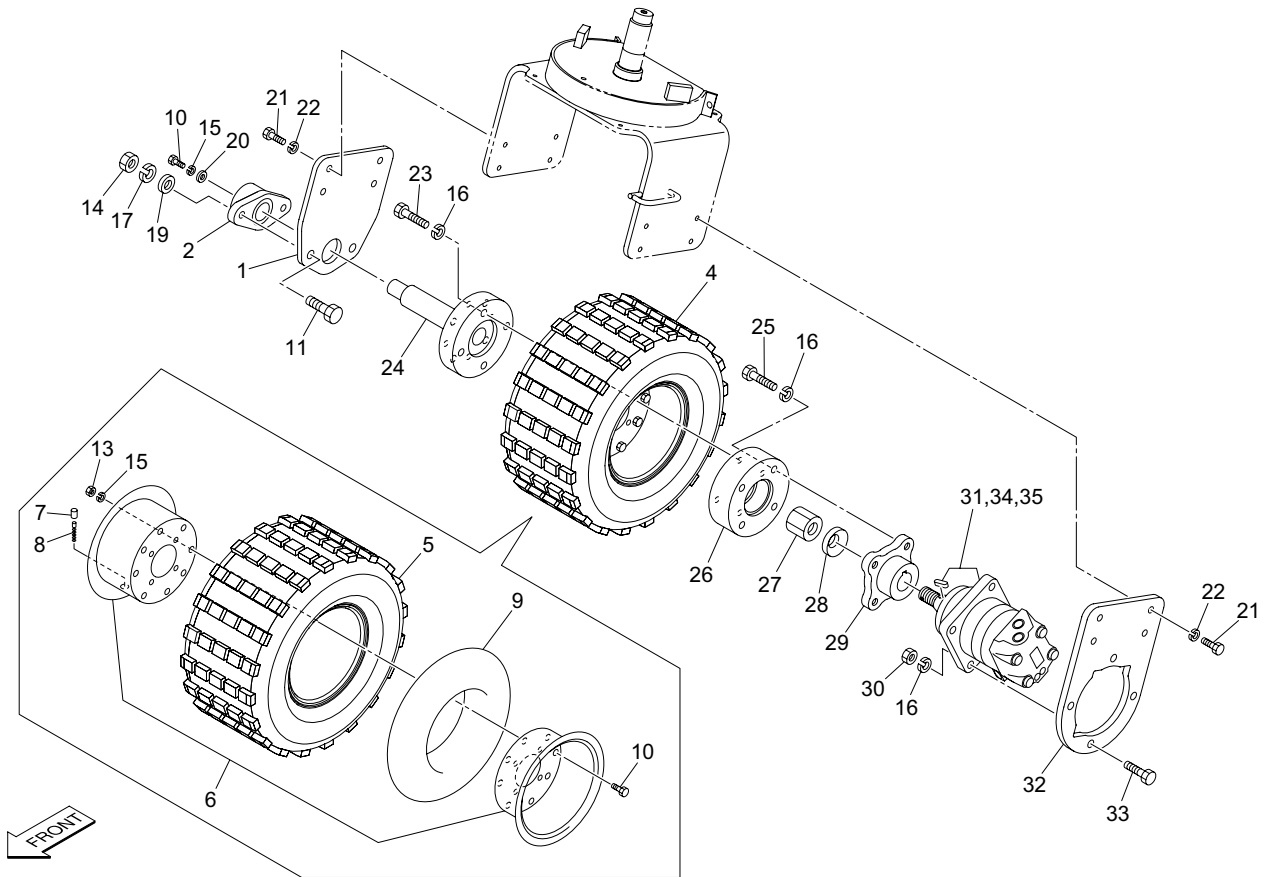
SP05A\_A5\_z01

| Cat No. | Code No.      | Part name                        | Qty | Remark | SN of application |
|---------|---------------|----------------------------------|-----|--------|-------------------|
| A5 - 1  | SP05---0210ZD | BRACKET, FRONT WHEEL             | 2   |        |                   |
| A5 - 2  | K0661205000   | BEARING, BALL W/RHOMBIC UCFL 205 | 2   |        |                   |
| A5 - 3  | SP05---0211ZD | AXIS, ARM                        | 1   |        |                   |
| A5 - 4  | K2000000360   | TIRE ASSY, 21*11.00-10-4A        | 1   |        |                   |
| A5 - 5  | K2001000150   | TIRE, 21*11.00-10PD2             | 1   |        |                   |
| A5 - 6  | K2081000050   | WHEEL SET, 850SP-10              | 1   |        |                   |
| A5 - 7  | K2093000010   | CAP, VALVE                       | 1   |        |                   |
| A5 - 8  | K2092000020   | CORE, VALVE NO.9000              | 1   |        |                   |
| A5 - 9  | K2091000200   | TUBE, TIRE 21*11.00-10           | 1   |        |                   |
| A5 - 10 | K0000080152   | BOLT, M8-15                      | 10  |        |                   |
| A5 - 11 | K0000140402   | BOLT, M14-40                     | 4   |        |                   |
| A5 - 12 | K0011120302   | BOLT, HT P1.5 M12-30             | 4   |        |                   |
| A5 - 13 | K0100080002   | NUT, M8                          | 8   |        |                   |
| A5 - 14 | K0100140002   | NUT, M14                         | 4   |        |                   |
| A5 - 15 | K0200080002   | WASHER, SPRING M8                | 10  |        |                   |
| A5 - 16 | K0200120002   | WASHER, SPRING M12               | 4   |        |                   |
| A5 - 17 | K0200140002   | WASHER, SPRING M14               | 4   |        |                   |
| A5 - 18 | K5000120002   | WASHER, M12                      | 4   |        |                   |
| A5 - 19 | K5000140002   | WASHER, M14                      | 4   |        |                   |
| A5 - 20 | K5073208352   | WASHER, SPHC 3.2-8-35            | 2   |        |                   |
| A5 - 21 | K0000100202   | BOLT, M10-20                     | 8   |        |                   |
| A5 - 22 | K0200100002   | WASHER, SPRING M10               | 8   |        |                   |
|         |               |                                  |     |        |                   |



SP05A\_B5\_z01

| Cat No. | Code No.      | Part name                        | Qty | Remark | SN of application |
|---------|---------------|----------------------------------|-----|--------|-------------------|
| B5 - 1  | SP05---0210ZD | BRACKET, FRONT WHEEL             | 1   |        |                   |
| B5 - 2  | K0661205000   | BEARING, BALL W/RHOMBIC UCFL 205 | 1   |        |                   |
| B5 - 3  |               |                                  |     |        |                   |
| B5 - 4  | K2000000360   | TIRE ASSY, 21*11.00-10-4A        | 1   |        |                   |
| B5 - 5  | K2001000150   | TIRE, 21*11.00-10PD2             | 1   |        |                   |
| B5 - 6  | K2081000050   | WHEEL SET, 850SP-10              | 1   |        |                   |
| B5 - 7  | K2093000010   | CAP, VALVE                       | 1   |        |                   |
| B5 - 8  | K2092000020   | CORE, VALVE NO.9000              | 1   |        |                   |
| B5 - 9  | K2091000200   | TUBE, TIRE 21*11.00-10           | 1   |        |                   |
| B5 - 10 | K0000080152   | BOLT, M8-15                      | 9   |        |                   |
| B5 - 11 | K0000140402   | BOLT, M14-40                     | 2   |        |                   |
| B5 - 12 |               |                                  |     |        |                   |
| B5 - 13 | K0100080002   | NUT, M8                          | 8   |        |                   |
| B5 - 14 | K0100140002   | NUT, M14                         | 2   |        |                   |
| B5 - 15 | K0200080002   | WASHER, SPRING M8                | 9   |        |                   |
| B5 - 16 | K0200120002   | WASHER, SPRING M12               | 12  |        |                   |
| B5 - 17 | K0200140002   | WASHER, SPRING M14               | 2   |        |                   |
| B5 - 18 |               |                                  |     |        |                   |
| B5 - 19 | K5000140002   | WASHER, M14                      | 2   |        |                   |
| B5 - 20 | K5073208352   | WASHER, SPHC 3.2-8-35            | 1   |        |                   |
| B5 - 21 | K0000100202   | BOLT, M10-20                     | 8   |        |                   |
| B5 - 22 | K0200100002   | WASHER, SPRING M10               | 8   |        |                   |
| B5 - 23 | K0014120602   | BOLT, HT P1.5 M12-60             | 4   |        |                   |
| B5 - 24 | SP05---0251ZD | SPINDLE, FRONT WHEEL             | 1   |        |                   |
| B5 - 25 | K0014120502   | BOLT, HT P1.5 M12-50             | 4   |        |                   |
| B5 - 26 | SP05---0252ZD | MOUNT, MOTOR                     | 1   |        |                   |
| B5 - 27 | K0160000492   | NUT, SPECIAL P1.5 M24            | 1   |        |                   |
| B5 - 28 | K0214240001   | WASHER, DISK SPRING 2L M24       | 1   |        |                   |
| B5 - 29 | K216000009D   | MOUNT, WHEEL 21*11.00            | 1   |        |                   |
| B5 - 30 | K0100120002   | NUT, M12                         | 4   |        |                   |

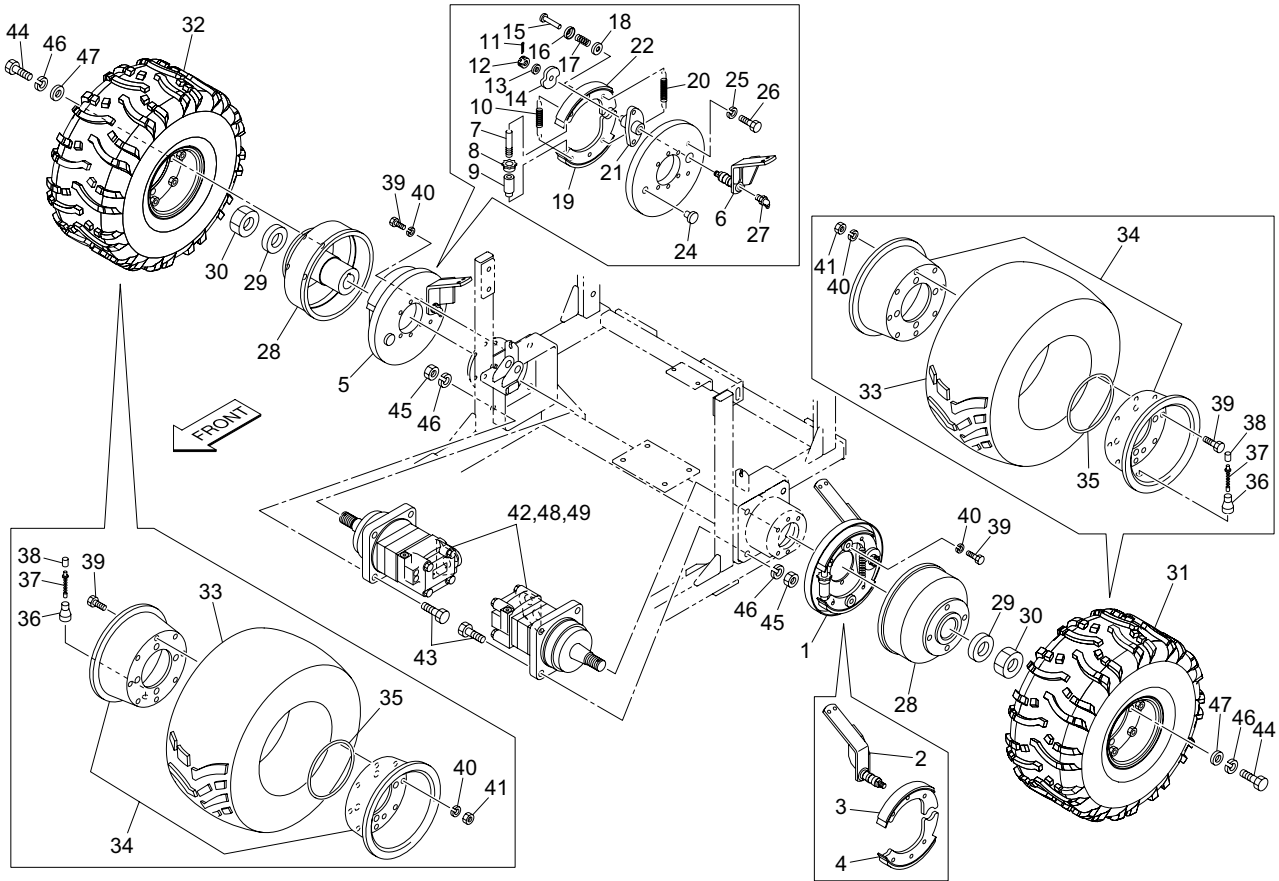


SP05A\_B5\_z01

| Cat No. | Code No.     | Part name                          | Qty | Remark | SN of application |
|---------|--------------|------------------------------------|-----|--------|-------------------|
| B5 - 31 | K3291000210  | MOTOR, WHEEL 2-100BS4S             | 1   |        |                   |
| B5 - 32 | SP05--0250ZD | BRACKET, MOTOR                     | 1   |        |                   |
| B5 - 33 | K0000120452  | BOLT, M12-45                       | 4   |        |                   |
| B5 - 34 | Y61090S      | SEAL KIT, ORBIT MOTOR 2000 (REAR)  | 1   |        |                   |
| B5 - 35 | Y61091S      | SEAL KIT, ORBIT MOTOR 2000 (SHAFT) | 1   |        |                   |
|         |              |                                    |     |        |                   |
|         |              |                                    |     |        |                   |
|         |              |                                    |     |        |                   |
|         |              |                                    |     |        |                   |
|         |              |                                    |     |        |                   |
|         |              |                                    |     |        |                   |

# 6. Rear wheel section

SP05A

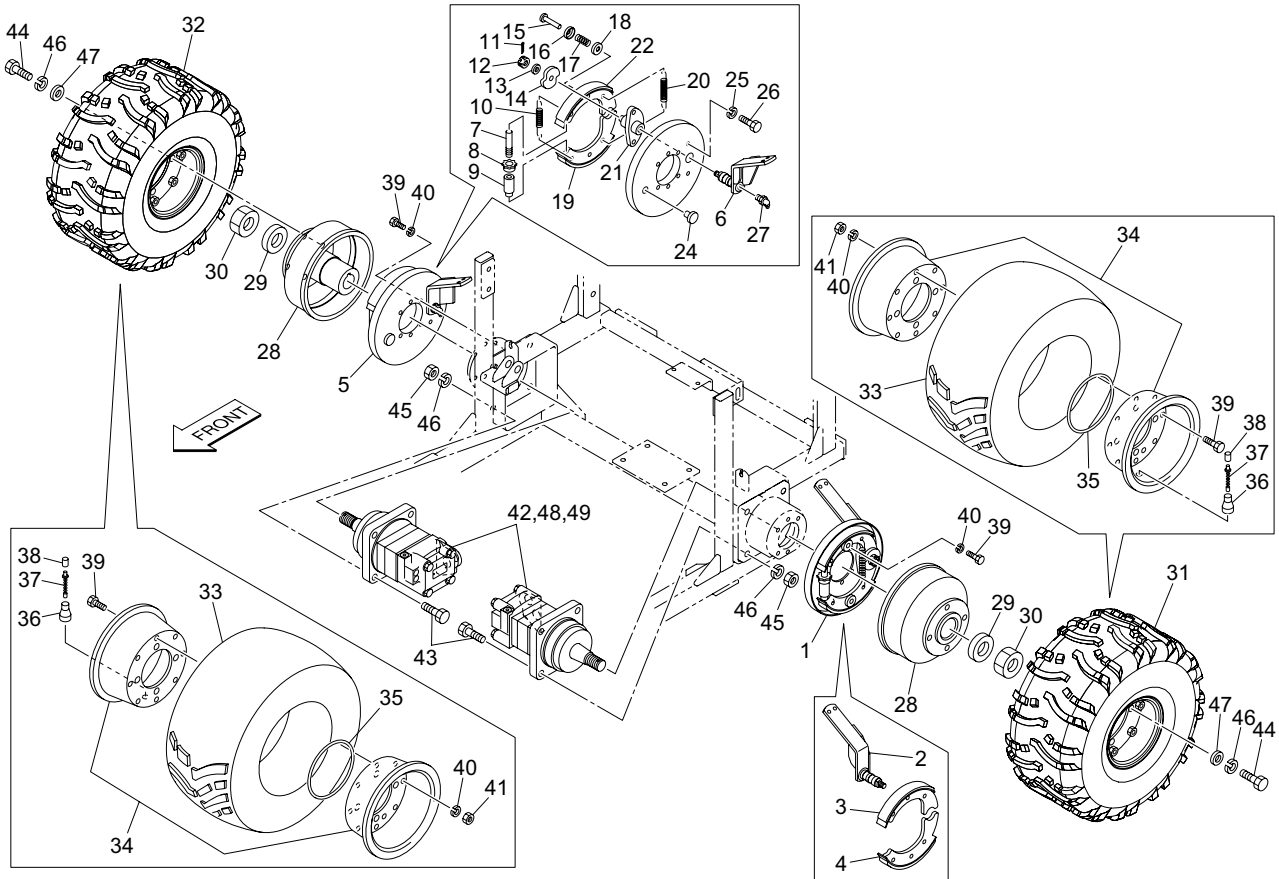


SP05A\_06\_z04

| Cat No. | Code No.      | Part name                  | Qty | Remark | SN of application |
|---------|---------------|----------------------------|-----|--------|-------------------|
| 6 - 1   | SP05---0223Z0 | BRAKE ASSY, W/LEVER (LH)   | 1   |        |                   |
| 6 - 2   | SP05---0224B2 | LEVER, BRAKE (LH)          | 1   |        |                   |
| 6 - 3   | P741-8006-01  | SHOE, BRAKE                | 1   |        |                   |
| 6 - 4   | P741-8008-00  | SHOE, BRAKE                | 1   |        |                   |
| 6 - 5   | SP05---0225Z0 | BRAKE ASSY, W/LEVER (RH)   | 1   |        |                   |
| 6 - 6   | SP05---0226B2 | LEVER, BRAKE (RH)          | 1   |        |                   |
| 6 - 7   | P722-7341-00  | BOLT, ADJUSTING            | 2   |        |                   |
| 6 - 8   | P722-7342-00  | GEAR, ADJUSTING            | 2   |        |                   |
| 6 - 9   | P723-7329-00  | SLEEVE                     | 2   |        |                   |
| 6 - 10  | P153-8002-00  | SPRING                     | 2   |        |                   |
| 6 - 11  | K0300025322   | PIN, COTTER M2.5-32        | 2   |        |                   |
| 6 - 12  | P535-1008-00  | NUT, CASTLE                | 2   |        |                   |
| 6 - 13  | P801-7308-00  | WASHER                     | 2   |        |                   |
| 6 - 14  | P731-7335-00  | CAM                        | 2   |        |                   |
| 6 - 15  | P713-7044-00  | PIN, GUIDE                 | 4   |        |                   |
| 6 - 16  | P801-7012-00  | SEAT, SPRING A             | 4   |        |                   |
| 6 - 17  | P154-7033-00  | SPRING                     | 4   |        |                   |
| 6 - 18  | P801-7023-00  | SEAT, SPRING B             | 4   |        |                   |
| 6 - 19  | P741-8005-00  | SHOE, BRAKE                | 1   |        |                   |
| 6 - 20  | P153-8004-00  | SPRING                     | 2   |        |                   |
| 6 - 21  | P712-8003-00  | BRACKET                    | 2   |        |                   |
| 6 - 22  | P741-8007-01  | SHOE, BRAKE                | 1   |        |                   |
| 6 - 23  |               |                            |     |        |                   |
| 6 - 24  | P319-7122-00  | PLUG                       | 2   |        |                   |
| 6 - 25  | P573-1025-20  | WASHER, SPRING             | 4   |        |                   |
| 6 - 26  | P501-1016-10  | BOLT                       | 4   |        |                   |
| 6 - 27  | P631-0675-00  | GREASE NIPPLE              | 2   |        |                   |
| 6 - 28  | K6909000252   | MOUNT, WHEEL               | 2   |        |                   |
| 6 - 29  | K0214240001   | WASHER, DISK SPRING 2L M24 | 2   |        |                   |
| 6 - 30  | K0160000492   | NUT, SPECIAL P1.5 M24      | 2   |        |                   |

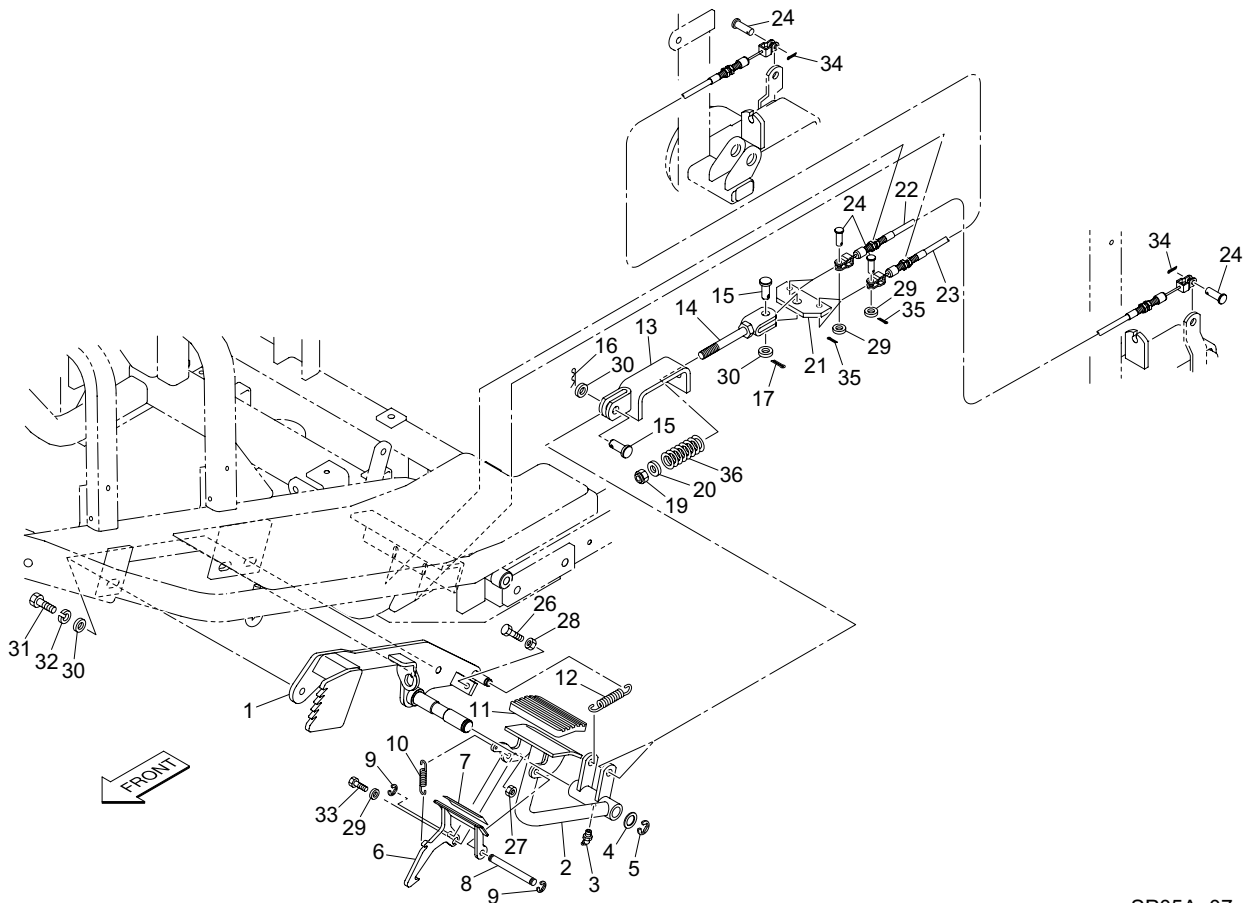
# 6. Rear wheel section

SP05A



SP05A\_06\_z04

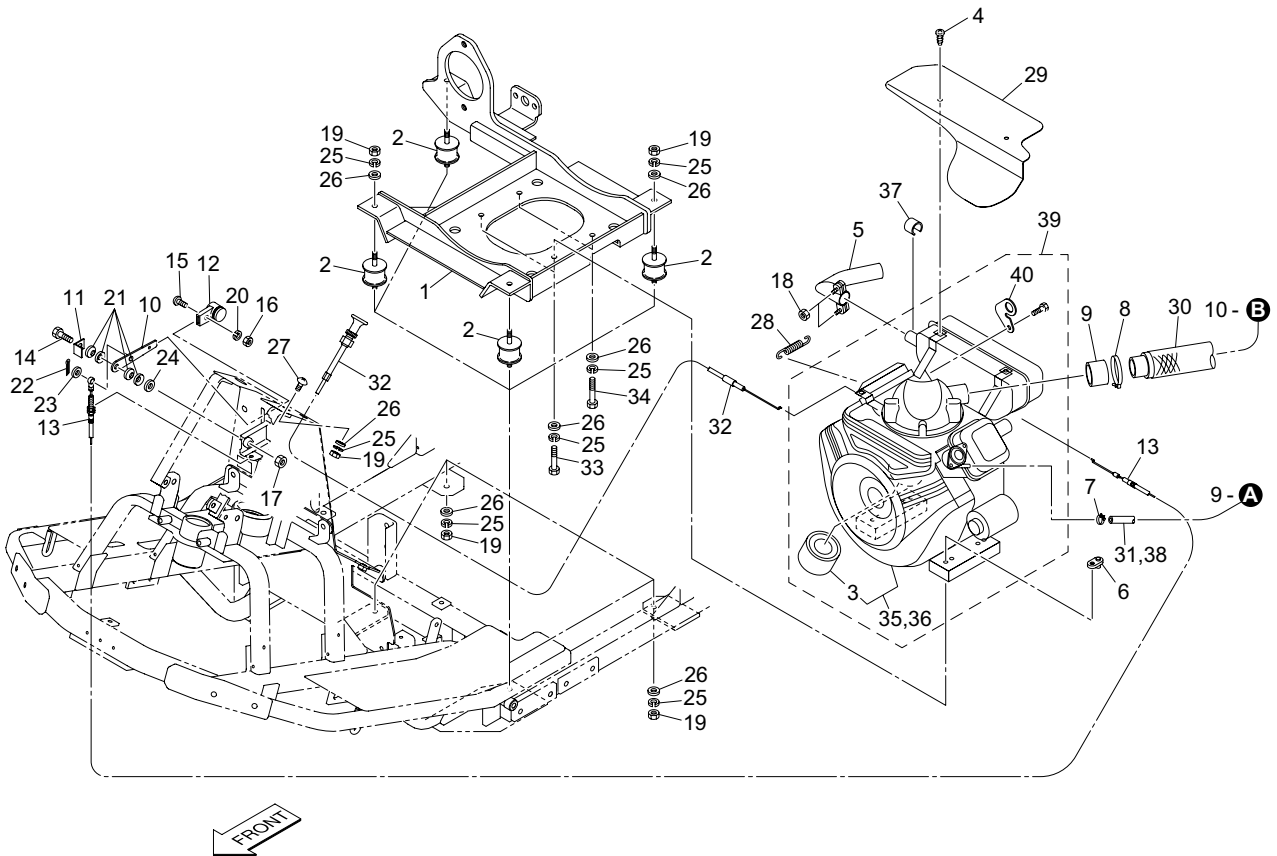
| Cat No. | Code No.        | Part name                          | Qty | Remark | SN of application |
|---------|-----------------|------------------------------------|-----|--------|-------------------|
| 6 - 31  | K2040000400     | TIRE ASSY, C828-25*13.00-9-L       | 1   |        |                   |
| 6 - 32  | K2040000410     | TIRE ASSY, C828-25*13.00-9-R       | 1   |        |                   |
| 6 - 33  | K2041000220     | TIRE, C828-25*13.00-9              | 2   |        |                   |
| 6 - 34  | K209000062L-SET | WHEEL SET, 10SW-9                  | 2   |        |                   |
| 6 - 35  | K2098000010     | O-RING                             | 2   |        |                   |
| 6 - 36  | K2097000040     | VALVE, RIM PVR70                   | 2   |        |                   |
| 6 - 37  | K2092000020     | CORE, VALVE NO.9000                | 2   |        |                   |
| 6 - 38  | K2093000010     | CAP, VALVE                         | 2   |        |                   |
| 6 - 39  | K0000080152     | BOLT, M8-15                        | 28  |        |                   |
| 6 - 40  | K0200080002     | WASHER, SPRING M8                  | 28  |        |                   |
| 6 - 41  | K0100080002     | NUT, M8                            | 16  |        |                   |
| 6 - 42  | K3291000190     | MOTOR, WHEEL 2-200BS4S             | 2   |        |                   |
| 6 - 43  | K0000120452     | BOLT, M12-45                       | 8   |        |                   |
| 6 - 44  | K0011120302     | BOLT, HT P1.5 M12-30               | 8   |        |                   |
| 6 - 45  | K0100120002     | NUT, M12                           | 8   |        |                   |
| 6 - 46  | K0200120002     | WASHER, SPRING M12                 | 16  |        |                   |
| 6 - 47  | K5000120002     | WASHER, M12                        | 8   |        |                   |
| 6 - 48  | Y61090S         | SEAL KIT, ORBIT MOTOR 2000 (REAR)  | 2   |        |                   |
| 6 - 49  | Y61091S         | SEAL KIT, ORBIT MOTOR 2000 (SHAFT) | 2   |        |                   |



SP05A\_07\_z02

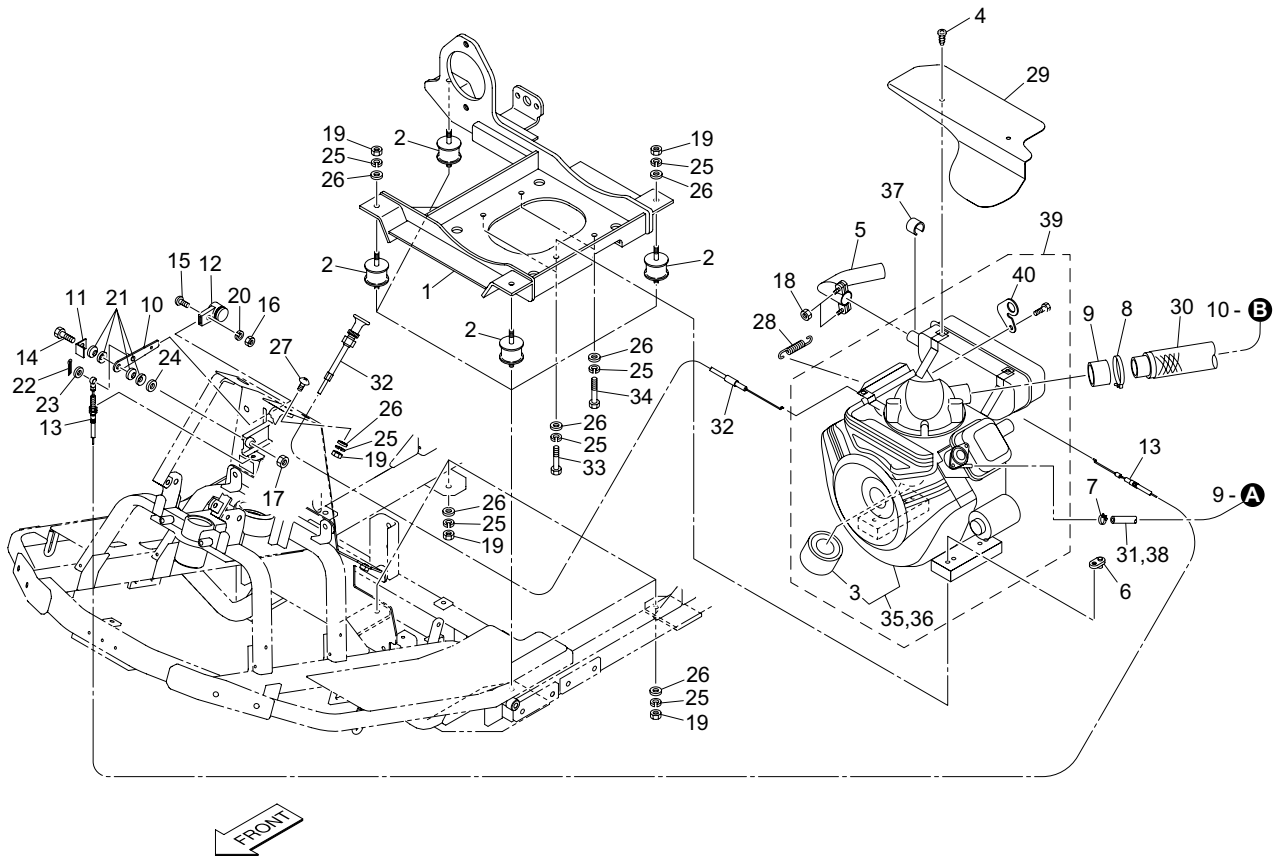
| Cat No. | Code No.      | Part name                    | Qty | Remark | SN of application |
|---------|---------------|------------------------------|-----|--------|-------------------|
| 7 - 1   | SP05A--0201BD | FULCRUM, BRAKE               | 1   |        |                   |
| 7 - 2   | SP05--0230AD  | PEDAL, BRAKE                 | 1   |        |                   |
| 7 - 3   | K1440000020   | GREASE NIPPLE, TYPE C        | 1   |        |                   |
| 7 - 4   | K5051016240   | WASHER, C5191P 1-16-24       | 1   |        |                   |
| 7 - 5   | K0400012002   | RING, RETAINING E M12        | 1   |        |                   |
| 7 - 6   | FS900--0309ZD | PEDAL, LOCKING BRAKE PEDAL   | 1   |        |                   |
| 7 - 7   | SP160E-3412Z0 | SHEET, NONSKID FOR PEDAL     | 1   |        |                   |
| 7 - 8   | SP160E-3411Z2 | SHAFT, 8-78                  | 1   |        |                   |
| 7 - 9   | K0400006002   | RING, RETAINING E M6         | 2   |        |                   |
| 7 - 10  | K1030000108   | SPRING, W/U HOOK M1.2-9.4-35 | 1   |        |                   |
| 7 - 11  | K4050000050   | RUBBER, FOR PEDAL 70100      | 1   |        |                   |
| 7 - 12  | K1030000048   | SPRING, W/U HOOK M2-14-80    | 1   |        |                   |
| 7 - 13  | SP05--0221ZD  | BRACKET, SPRING              | 1   |        |                   |
| 7 - 14  | SP05--0220Z2  | ROD, SPRING                  | 1   |        |                   |
| 7 - 15  | K6031100258   | PIN, FLAT HEAD HT M10-25     | 2   |        |                   |
| 7 - 16  | K0331000008   | PIN, SNAP M10                | 1   |        |                   |
| 7 - 17  | K0302025250   | PIN, COTTER SUS M2.5-25      | 1   |        |                   |
| 7 - 18  |               |                              |     |        |                   |
| 7 - 19  | K0144100002   | NUT, W/F-RING M10            | 1   |        |                   |
| 7 - 20  | K5073210262   | WASHER, SPHC 3.2-10-26       | 1   |        |                   |
| 7 - 21  | SP05--0222Z2  | FITTING, BRAKE WIRE          | 1   |        |                   |
| 7 - 22  | K1120084500   | WIRE, BRAKE 845              | 1   |        |                   |
| 7 - 23  | K1120145210   | WIRE, BRAKE 1452             | 1   |        |                   |
| 7 - 24  | K6031060172   | PIN, FLAT-HEAD HT M6-17      | 4   |        |                   |
| 7 - 25  |               |                              |     |        |                   |
| 7 - 26  | K0000080302   | BOLT, M8-30                  | 1   |        |                   |
| 7 - 27  | K0100060002   | NUT, M6                      | 1   |        |                   |
| 7 - 28  | K0100080002   | NUT, M8                      | 1   |        |                   |
| 7 - 29  | K5000060002   | WASHER, M6                   | 3   |        |                   |
| 7 - 30  | K5000100002   | WASHER, M10                  | 5   |        |                   |





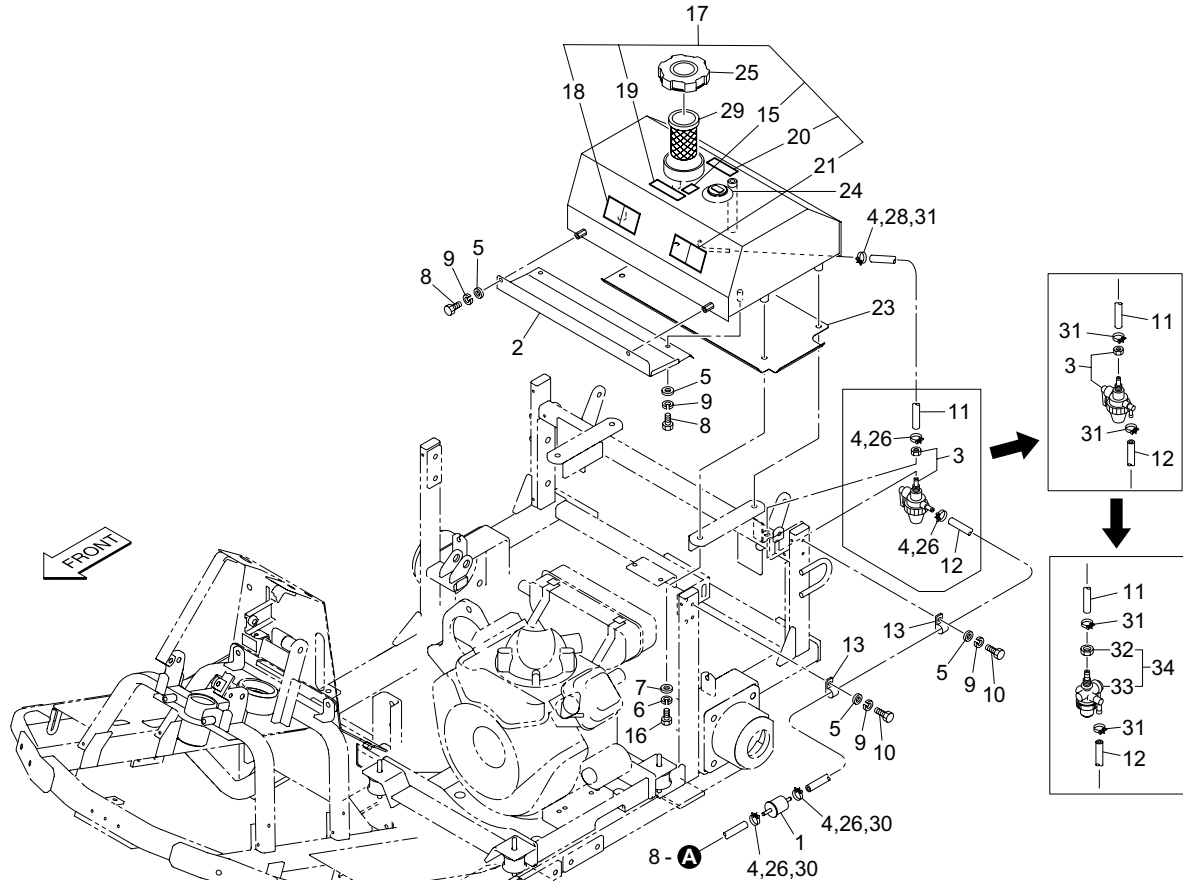
SP05A\_08\_z03

| Cat No. | Code No.      | Part name                           | Qty | Remark | SN of application             |
|---------|---------------|-------------------------------------|-----|--------|-------------------------------|
| 8 - 1   | SP05---0301ZD | BASE, ENGINE                        | 1   |        |                               |
| 8 - 2   | K4040000130   | RUBBER, VIBRATION PROOF EA4006      | 4   |        |                               |
| 8 - 3   | PL492932S     | FILTER, OIL                         | 1   |        |                               |
| 8 - 4   | K0069000112   | SCREW, 6+ TRUSS TAP (TYPE 3-12)     | 2   |        |                               |
| 8 - 5   | SP05---0311AU | PIPE, MUFFLER                       | 1   |        |                               |
| 8 - 6   | SP05---0309Z2 | MOUNT, ENGINE                       | 4   |        |                               |
| 8 - 7   | K4260000150   | CLAMP, HOSE 12                      | 1   |        | 21029-21067,21088-21068-21087 |
| 8 a- 7  | K4260000270   | CLIP, HOSE TS095                    | 1   |        |                               |
| 8 - 8   | K4261036000   | CLAMP, HOSE 4669                    | 1   |        |                               |
| 8 - 9   | SP05---0312Z0 | RUBBER, SPACER                      | 1   |        |                               |
| 8 - 10  | SP05---0340ZD | LEVER, THROTTLE                     | 1   |        |                               |
| 8 - 11  | SP05---0341Z2 | PLATE, RETAINING                    | 1   |        |                               |
| 8 - 12  | K1301000150   | GRIP, PLASTIC THROTTLE LEVER        | 1   |        |                               |
| 8 - 13  | K1110143010   | WIRE, THROTTLE 1430                 | 1   |        |                               |
| 8 - 14  | K0000100352   | BOLT, M10-35                        | 1   |        |                               |
| 8 - 15  | K0042050082   | SCREW, + ROUND HEAD M5-8            | 1   |        |                               |
| 8 - 16  | K0100050002   | NUT, M5                             | 1   |        |                               |
| 8 - 17  | K0100100002   | NUT, M10                            | 1   |        |                               |
| 8 - 18  | K0144080002   | NUT, W/F-RING M8                    | 2   |        |                               |
| 8 - 19  | K0100080002   | NUT, M8                             | 9   |        |                               |
| 8 - 20  | K0200050002   | WASHER, SPRING M5                   | 1   |        |                               |
| 8 - 21  | K0212100001   | WASHER, DISK SPRING 1L M10          | 4   |        |                               |
| 8 - 22  | K0300016122   | PIN, COTTER M1.6-12                 | 1   |        |                               |
| 8 - 23  | K5000060002   | WASHER, M6                          | 1   |        |                               |
| 8 - 24  | K5000100002   | WASHER, M10                         | 1   |        |                               |
| 8 - 25  | K0200080002   | WASHER, SPRING M8                   | 13  |        |                               |
| 8 - 26  | K5000080002   | WASHER, M8                          | 13  |        |                               |
| 8 - 27  | K0056080200   | SCREW, SUS + TRUSS M8-20            | 1   |        |                               |
| 8 - 28  | K1020000208   | SPRING, W/ROUND HOOK M1.6-16.6-65.2 | 1   |        |                               |
| 8 - 29  | SP05---2301Z0 | COVER, MUFFLER                      | 1   |        |                               |



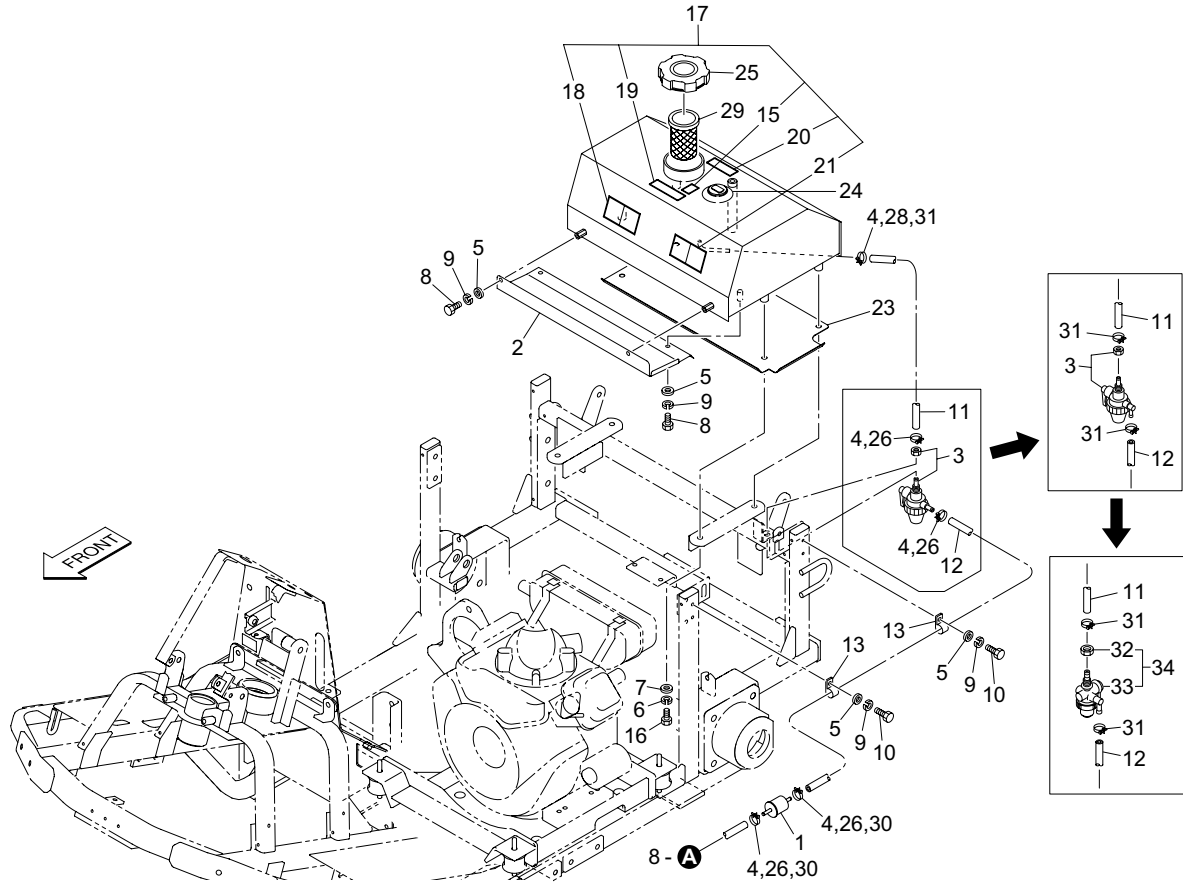
SP05A\_08\_z03

| Cat No. | Code No.      | Part name                         | Qty | Remark | SN of application |
|---------|---------------|-----------------------------------|-----|--------|-------------------|
| 8 - 30  | SP05---2302Z0 | HOSE COMP, CLEANER 420            | 1   |        |                   |
| 8 - 31  | SP05---2304Z0 | HOSE, LOW PERM 6.4-230            | 1   |        | 21029-21067       |
| 8 a- 31 | K3185060230   | HOSE, FUEL 6FKM 230               | 1   |        | 21068-21087       |
| 8 b- 31 | K3185060200   | HOSE, FUEL 6FKM 200               | 1   |        | 21088-            |
| 8 - 32  | K1100178520   | WIRE, CHOKE 1785                  | 1   |        |                   |
| 8 - 33  | K0000080402   | BOLT, M8-40                       | 2   |        |                   |
| 8 - 34  | K0000080502   | BOLT, M8-50                       | 2   |        |                   |
| 8 - 35  | K2680000590   | ENGINE, VANGUARD 356447-705-B5    | 1   |        | 21029-21193       |
| 8 b- 35 | K2680000490   | ENGINE, VANGUARD 356447-0711-G1   | 1   |        | 21194-            |
| 8 - 36  | PL792015      | PLUG, CHAMPION XC92YC             | 1   |        |                   |
| 8 - 37  | K5112000280   | PLATE, 0.4-20-90                  | 0-1 |        |                   |
| 8 - 38  | K4231170150   | TUBE, HEAT-INSULATING CA17*150    | 1   |        | 21353-            |
| 8 - 39  | K9270000440   | ENGINE COMP, VANGUARD 356447-0711 | 1   |        | 21373-            |
| 8 - 40  | K513100244D   | PLATE, HANGING ENGINE             | 1   |        | 21373-            |
|         |               |                                   |     |        |                   |
|         |               |                                   |     |        |                   |
|         |               |                                   |     |        |                   |



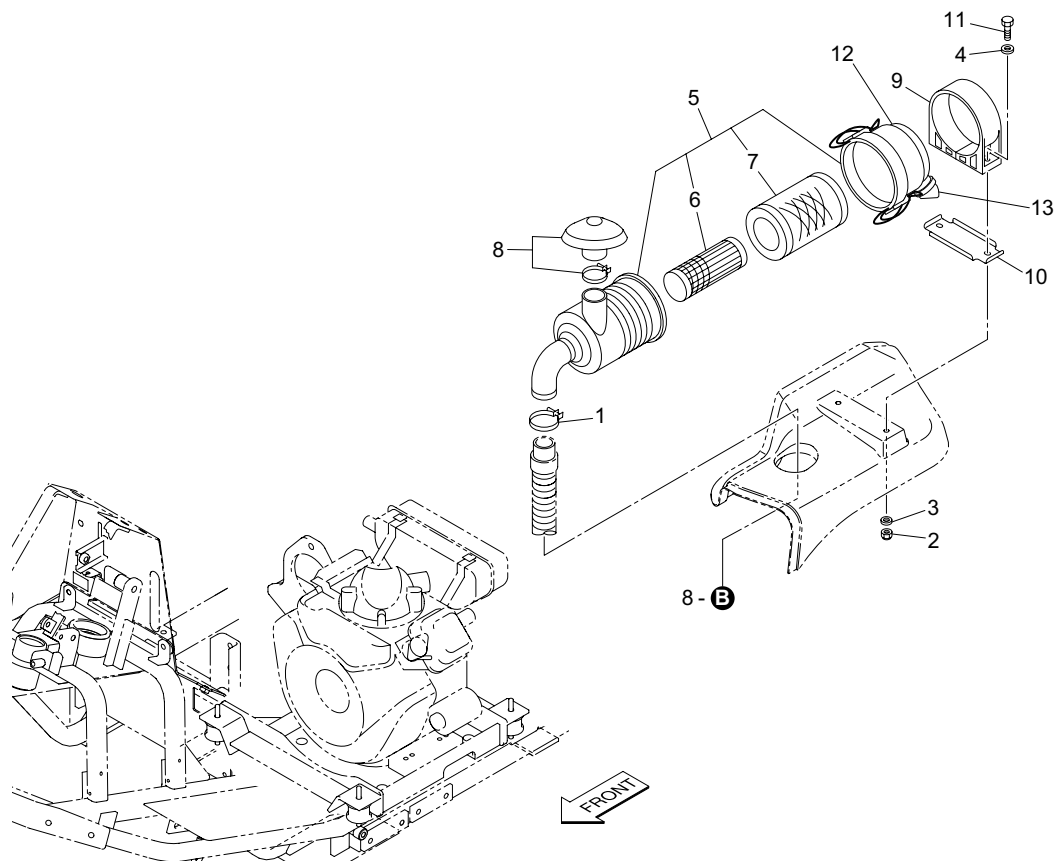
SP05A\_09\_z09

| Cat No. | Code No.      | Part name                           | Qty | Remark | SN of application |
|---------|---------------|-------------------------------------|-----|--------|-------------------|
| 9 - 1   | PL845125      | FILTER, FUEL                        | 1   |        |                   |
| 9 - 2   | SP05---0316Z0 | PLATE, INSULATING HEAT              | 1   |        |                   |
| 9 - 3   | K3420000060   | STRAINER, FUEL COCK 22              | 1   |        | 21029-21223       |
| 9 a- 3  | K3421000040   | STRAINER, FUEL KVN-002              | 1   |        | 21224-21971       |
| 9 - 4   | K4260000150   | CLAMP, HOSE 12                      | 5   |        | 21029-21067       |
| 9 a- 4  | K4260000270   | CLIP, HOSE TS095                    | 5   |        | 21068-21087       |
| 9 - 5   | K5000060002   | WASHER, M6                          | 6   |        |                   |
| 9 - 6   | K0200080002   | WASHER, SPRING M8                   | 4   |        |                   |
| 9 - 7   | K5000080002   | WASHER, M8                          | 4   |        |                   |
| 9 - 8   | K0020060100   | BOLT, SUS M6-10                     | 4   |        |                   |
| 9 9     | K0200060002   | WASHER, SPRING M6                   | 6   |        |                   |
| 9 - 10  | K0000060152   | BOLT, M6-15                         | 2   |        |                   |
| 9 - 11  | SP05---2305Z0 | HOSE, LOW PERM 6.4-330              | 1   |        | 21029-21067       |
| 9 a- 11 | K3185060330   | HOSE, FUEL 6FKM-330                 | 1   |        | 21068-            |
| 9 - 12  | SP05---2306Z0 | HOSE, LOW PERM 6.4-565              | 1   |        | 21029-21067       |
| 9 a- 12 | K3185060560   | HOSE, FUEL 6FKM-565                 | 1   |        | 21068-21223       |
| 9 b- 12 | K3185060600   | HOSE, FUEL 6FKM-605                 | 1   |        | 21224-            |
| 9 - 13  | K4270015060   | CLIP, HARNESS 15 M6                 | 2   |        |                   |
| 9 - 14  |               |                                     |     |        |                   |
| 9 - 15  | K4209001310   | DECAL, LEAD-FREE GASOLINE           | 1   |        |                   |
| 9 - 16  | K0020080200   | BOLT, SUS M8-20                     | 4   |        |                   |
| 9 - 17  | SP05A--0301Z0 | TANK COMP, FUEL                     | 1   |        |                   |
| 9 - 18  | K4205001910   | DECAL, CAUTION NOT TO GET CAUGHT IN | 1   |        |                   |
| 9 - 19  | K4205001940   | DECAL, DANGER "NO FIRE"             | 1   |        |                   |
| 9 - 20  | K4205001920   | DECAL, CAUTION HOT PARTS            | 1   |        |                   |
| 9 - 21  | K4205001950   | DECAL, CAUTION EXHAUST GAS          | 1   |        |                   |
| 9 - 22  |               |                                     |     |        |                   |
| 9 - 23  | SP05A--0303Z0 | BOARD, ADIABATIC LOWER              | 1   |        |                   |
| 9 - 24  | Y446060       | FO GAUGE (L=135) FOR FUEL TANK      | 1   |        |                   |
| 9 - 25  | K2721000050   | CAP, YGW0150SS                      | 1   |        |                   |



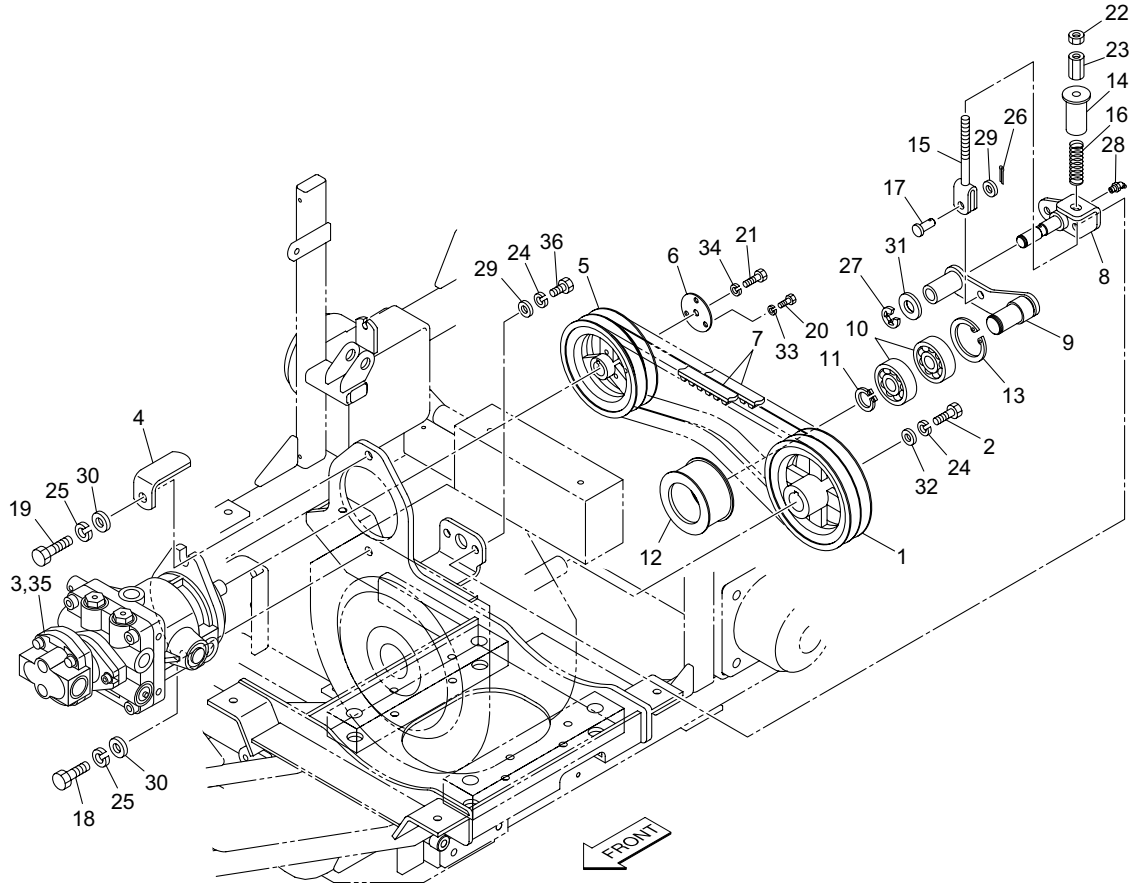
SP05A\_09\_z09

| Cat No. | Code No.      | Part name                | Qty | Remark | SN of application |
|---------|---------------|--------------------------|-----|--------|-------------------|
| 9 - 26  | K4260000150   | CLAMP, HOSE 12           | 4   |        | 21088-21664       |
| 9 - 27  |               |                          |     |        |                   |
| 9 - 28  | K4260000270   | CLIP, HOSE TS095         | 1   |        | 21088-21664       |
| 9 - 29  | Y105372-55100 | STRAINER, FUEL TANK 16   | 1   |        |                   |
| 9 - 30  | K4260000150   | CLAMP, HOSE 12           | 2   |        | 21665-            |
| 9 - 31  | K4260000270   | CLIP, HOSE TS095         | 3   |        | 21665-            |
| 9 - 32  | K0160000720   | NUT, SPECIAL P1.25 M10-5 | 1   |        | 21972-            |
| 9 - 33  | K3421000060   | STRAINER, FUEL COC       | 1   |        | 21972-            |
| 9 - 34  | K3421000050   | STRAINER, FUEL COC W/NUT | 1   |        | 21972-            |
|         |               |                          |     |        |                   |
|         |               |                          |     |        |                   |
|         |               |                          |     |        |                   |
|         |               |                          |     |        |                   |
|         |               |                          |     |        |                   |



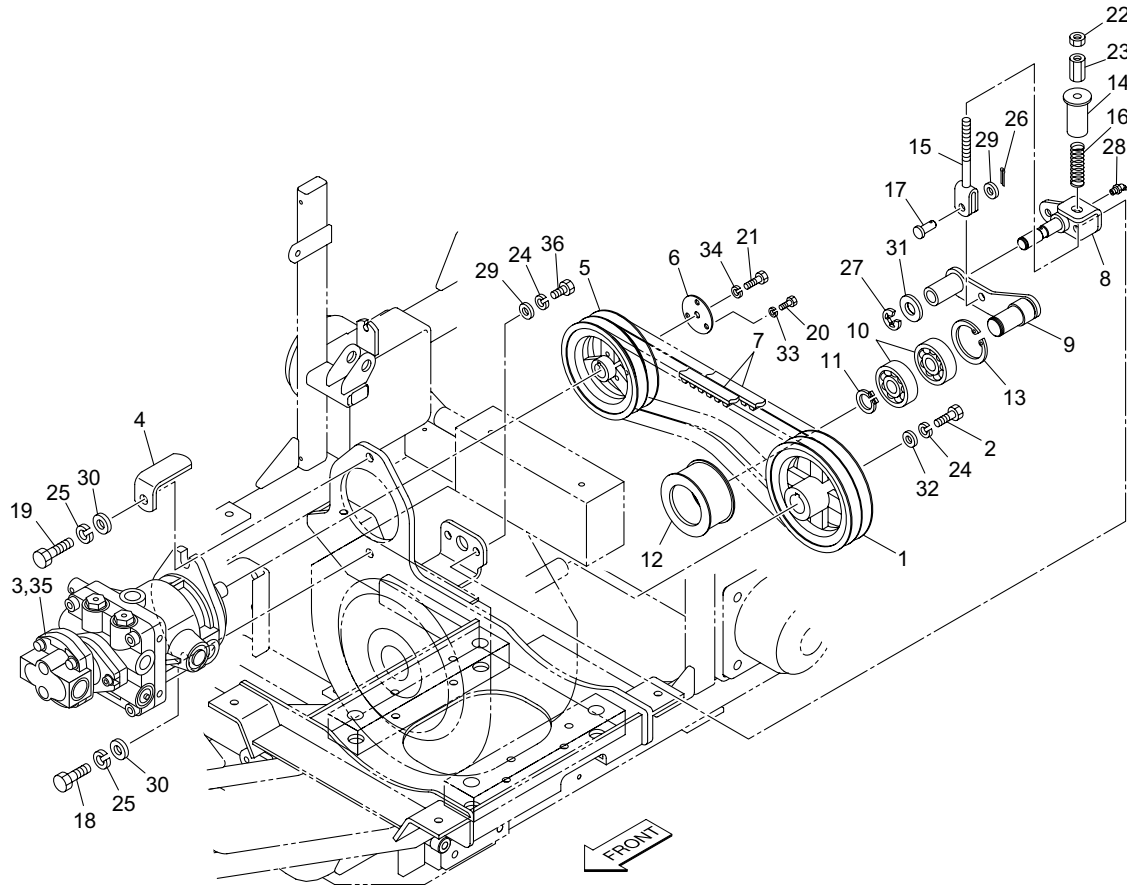
SP05A\_10\_z03

| Cat No. | Code No.    | Part name                   | Qty | Remark | SN of application |
|---------|-------------|-----------------------------|-----|--------|-------------------|
| 10 - 1  | K4261036000 | CLAMP, HOSE 4669            | 1   |        |                   |
| 10 - 2  | K0144080002 | NUT, W/F-RING M8            | 2   |        |                   |
| 10 - 3  | K5012308352 | WASHER, SPCC 2.3-8-35       | 2   |        | 21029-21505       |
| 10 a- 3 | K5012308262 | WASHER, SPCC 2.3-8-26       | 2   |        | 21506-            |
| 10 - 4  | K5000080002 | WASHER, M8                  | 2   |        |                   |
| 10 - 5  | PL809670    | AIR CLEANER                 | 1   |        |                   |
| 10 - 6  | PL821136    | AIR FILTER CARTRIDGE, INNER | 1   |        |                   |
| 10 - 7  | PL841497    | AIR FILTER CARTRIDGE, OUTER | 1   |        |                   |
| 10 - 8  | PL809907    | CAP, RAIN                   | 1   |        |                   |
| 10 - 9  | PL809878    | CLAMP, AIR CLEANER          | 1   |        |                   |
| 10 - 10 | PL841886    | BRACKET, AIR CLEANER        | 1   |        |                   |
| 10 - 11 | K0000080352 | BOLT, M8-35                 | 2   |        |                   |
| 10 - 12 | PL842621    | COVER, AIR CLEANER          | 1   |        |                   |
| 10 - 13 | PL842623    | VALVE DEVICE                | 1   |        |                   |
|         |             |                             |     |        |                   |
|         |             |                             |     |        |                   |
|         |             |                             |     |        |                   |



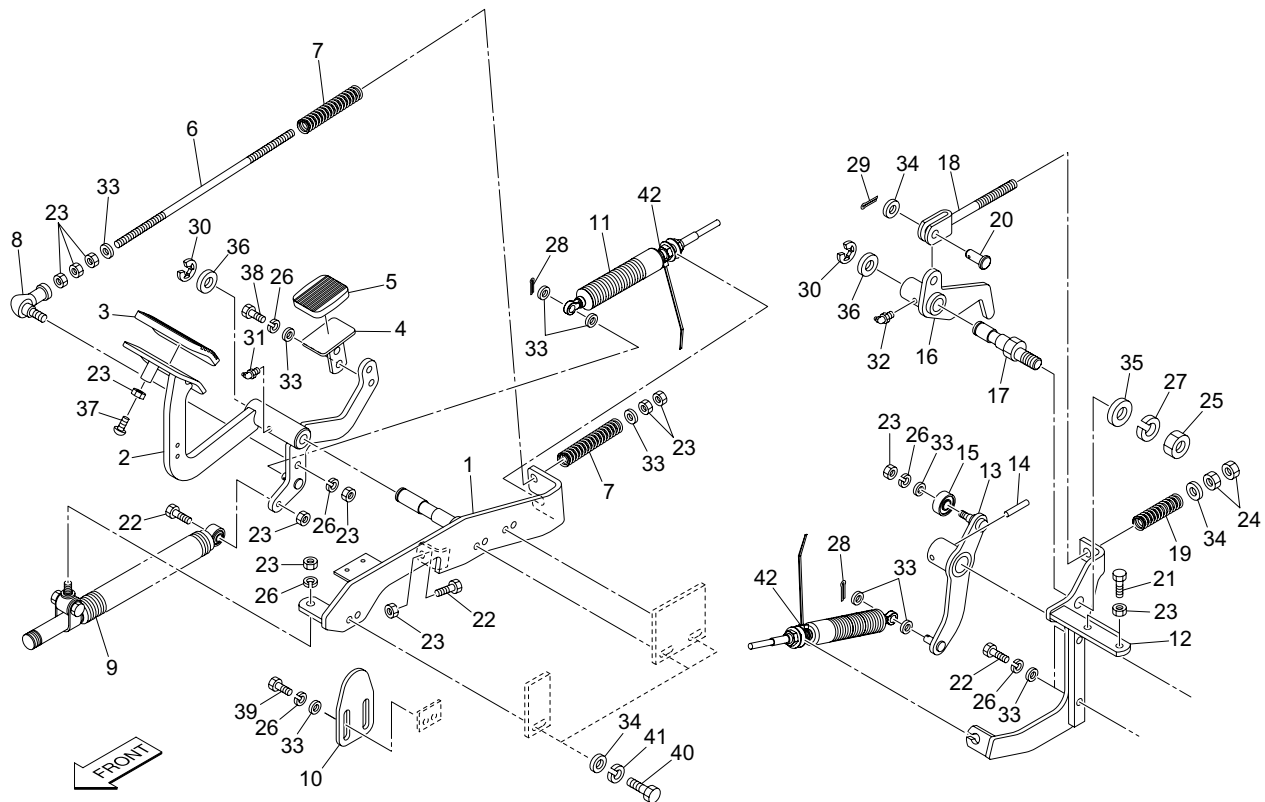
SP05A\_11\_z01

| Cat No. | Code No.      | Part name                        | Qty | Remark      | SN of application |
|---------|---------------|----------------------------------|-----|-------------|-------------------|
| 11 - 1  | K242100007D   | PULLEY, V B2-25.4-153            | 1   |             |                   |
| 11 - 2  | K0069000052   | BOLT, 3/8-24 UNF 25.4            | 1   |             |                   |
| 11 - 3  | K3241000180   | PUMP, PISTON PSV-16AHG-2         | 1   |             |                   |
| 11 - 4  | SP05---0308ZD | ANGLE                            | 1   |             |                   |
| 11 - 5  | K242100008D   | PULLEY, V B2-19-129              | 1   |             |                   |
| 11 - 6  | K5130000452   | PLATE, SPCC PULLEY STOPPER       | 1   |             |                   |
| 11 - 7  | K2374220430   | BELT, COGGED H-PXSB43-2          | 1   | set of 2PCS |                   |
| 11 - 8  | SP05---0304ZD | FULCRUM, TENSION                 | 1   |             |                   |
| 11 - 9  | SP05---0305AD | LEVER, TENSION                   | 1   |             |                   |
| 11 - 10 | K0612063050   | BEARING, BALL SEAL 2RD 6305      | 2   |             |                   |
| 11 - 11 | K0400019002   | RING, RETAINING E M19            | 1   |             |                   |
| 11 - 12 | K2471400802   | PULLEY, TENSION 4080             | 1   |             |                   |
| 11 - 13 | K0402062001   | RING, RETAINING R M62            | 1   |             |                   |
| 11 - 14 | SP05---0307ZD | COVER, SPRING                    | 1   |             |                   |
| 11 - 15 | K7303000092   | ADJUSTER, LEVER                  | 1   |             |                   |
| 11 - 16 | K1000000048   | SPRING, COMPRESSION M3.2-16.9-60 | 1   |             |                   |
| 11 - 17 | K6031100258   | PIN, FLAT HEAD HT M10-25         | 1   |             |                   |
| 11 - 18 | K0000120302   | BOLT, M12-30                     | 1   |             |                   |
| 11 - 19 | K0000120352   | BOLT, M12-35                     | 1   |             |                   |
| 11 - 20 | K0000060102   | BOLT, M6-10                      | 3   |             |                   |
| 11 - 21 | K0000080202   | BOLT, M8-20                      | 1   |             |                   |
| 11 - 22 | K0100100002   | NUT, M10                         | 1   |             |                   |
| 11 - 23 | K0149107152   | NUT, HIGH M10-17-15              | 1   |             |                   |
| 11 - 24 | K0200100002   | WASHER, SPRING M10               | 3   |             |                   |
| 11 - 25 | K0200120002   | WASHER, SPRING M12               | 2   |             |                   |
| 11 - 26 | K0300025202   | PIN, COTTER M2.5-20              | 1   |             |                   |
| 11 - 27 | K0400012002   | RING, RETAINING E M12            | 1   |             |                   |
| 11 - 28 | K1440000020   | GREASE NIPPLE, TYPE C            | 1   |             |                   |
| 11 - 29 | K5000100002   | WASHER, M10                      | 3   |             |                   |
| 11 - 30 | K5000120002   | WASHER, M12                      | 2   |             |                   |



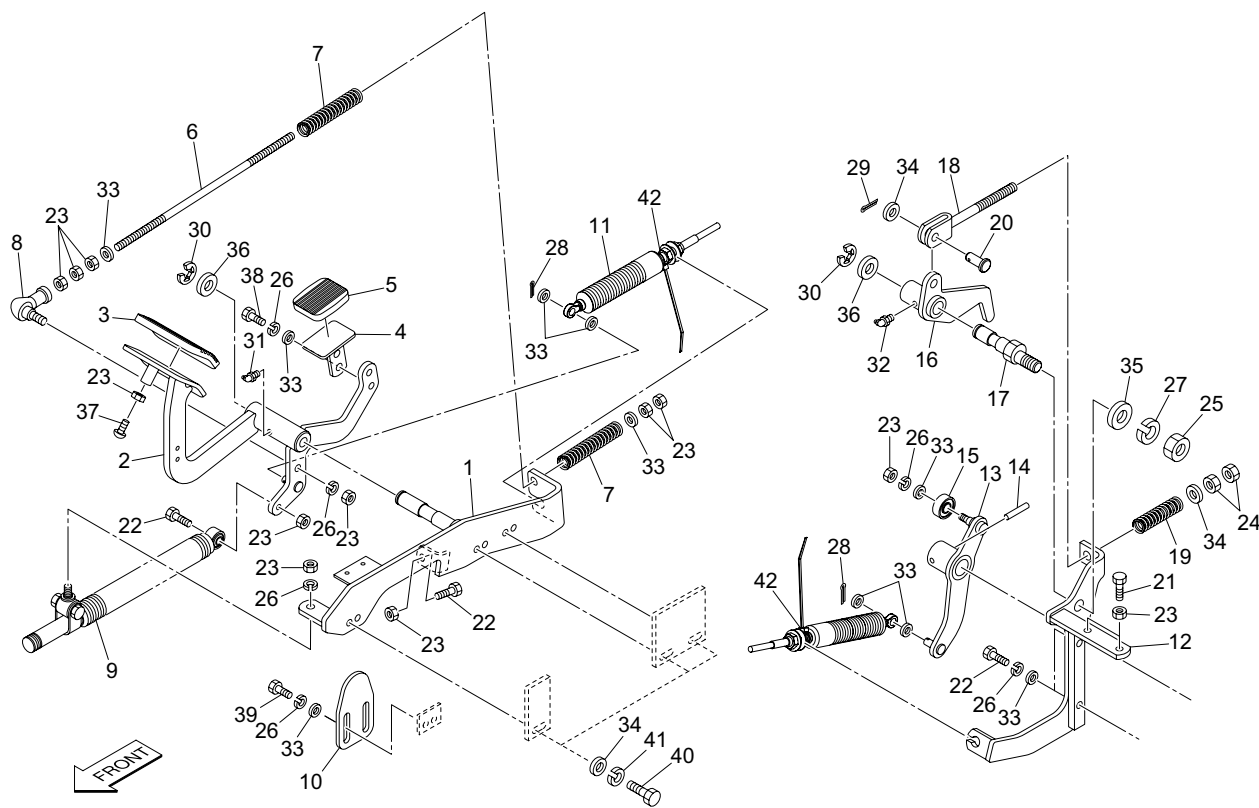
SP05A\_11\_z01

| Cat No. | Code No.     | Part name               | Qty | Remark | SN of application |
|---------|--------------|-------------------------|-----|--------|-------------------|
| 11 - 31 | K5011016222  | WASHER, SPCC 1-16-22    | 1   |        |                   |
| 11 - 32 | K5073210352  | WASHER, SPHC 3.2-10-35  | 1   |        |                   |
| 11 - 33 | K0200060002  | WASHER, SPRING M6       | 3   |        |                   |
| 11 - 34 | K0200080002  | WASHER, SPRING M8       | 1   |        |                   |
| 11 - 35 | Y2063A-25176 | REPAIR KIT, PSV16C-2-GP | 1   |        |                   |
| 11 - 36 | K0000100202  | BOLT, M10-20            | 2   |        |                   |
|         |              |                         |     |        |                   |
|         |              |                         |     |        |                   |
|         |              |                         |     |        |                   |
|         |              |                         |     |        |                   |
|         |              |                         |     |        |                   |



SP05A\_12\_z02

| Cat No. | Code No.      | Part name                        | Qty | Remark | SN of application |
|---------|---------------|----------------------------------|-----|--------|-------------------|
| 12 - 1  | SP05---0321ZD | FULCRUM, TRAVELING PEDAL         | 1   |        |                   |
| 12 - 2  | SP05---0320ZD | PEDAL, TRAVELING                 | 1   |        |                   |
| 12 - 3  | K4050000050   | RUBBER, FOR PEDAL 70100          | 1   |        |                   |
| 12 - 4  | SP05---0322AD | PEDAL, REVERSE                   | 1   |        |                   |
| 12 - 5  | K4050000020   | RUBBER, FOR PEDAL 4560           | 1   |        |                   |
| 12 - 6  | SP05---0323Z2 | ROD, PEDAL NEUTRAL               | 1   |        |                   |
| 12 - 7  | K1000000718   | SPRING, COMPRESSION M2.3-15.6-80 | 2   |        |                   |
| 12 - 8  | K1608080000   | JOINT, SPHERICAL SQ8             | 1   |        |                   |
| 12 - 9  | K3380000030   | DAMPER                           | 1   |        |                   |
| 12 - 10 | SP05---0324ZD | PLATE, ADJUSTING SPEED           | 1   |        |                   |
| 12 - 11 | K1160075510   | CABLE, PUSH-PULL 755             | 1   |        |                   |
| 12 - 12 | SP05---0330ZD | BRACKET, TRAVELING CABLE         | 1   |        |                   |
| 12 - 13 | SP05---0331ZD | LEVER, TRUNNION                  | 1   |        |                   |
| 12 - 14 | K0324060321   | PIN, SPIRAL M6-32                | 1   |        |                   |
| 12 - 15 | K0608006290   | BEARING, BALL SEAL 2RS 629       | 1   |        |                   |
| 12 - 16 | SP05---0332ZD | LEVER, NEUTRALIZING PUMP         | 1   |        |                   |
| 12 - 17 | K6123000112   | SHAFT, THREADED M14-95.5         | 1   |        |                   |
| 12 - 18 | K7303000092   | ADJUSTER, LEVER                  | 1   |        |                   |
| 12 - 19 | K1000000048   | SPRING, COMPRESSION M3.2-16.9-60 | 1   |        |                   |
| 12 - 20 | K6031100258   | PIN, FLAT HEAD HT M10-25         | 1   |        |                   |
| 12 - 21 | K0000080252   | BOLT, M8-25                      | 2   |        |                   |
| 12 - 22 | K0000080302   | BOLT, M8-30                      | 4   |        |                   |
| 12 - 23 | K0100080002   | NUT, M8                          | 13  |        |                   |
| 12 - 24 | K0100100002   | NUT, M10                         | 2   |        |                   |
| 12 - 25 | K0103140002   | NUT, P1.5 M14                    | 1   |        |                   |
| 12 - 26 | K0200080002   | WASHER, SPRING M8                | 8   |        |                   |
| 12 - 27 | K0200140002   | WASHER, SPRING M14               | 1   |        |                   |
| 12 - 28 | K0300020202   | PIN, COTTER M2-20                | 2   |        |                   |
| 12 - 29 | K0300025202   | PIN, COTTER M2.5-20              | 1   |        |                   |
| 12 - 30 | K0400012002   | RING, RETAINING E M12            | 2   |        |                   |

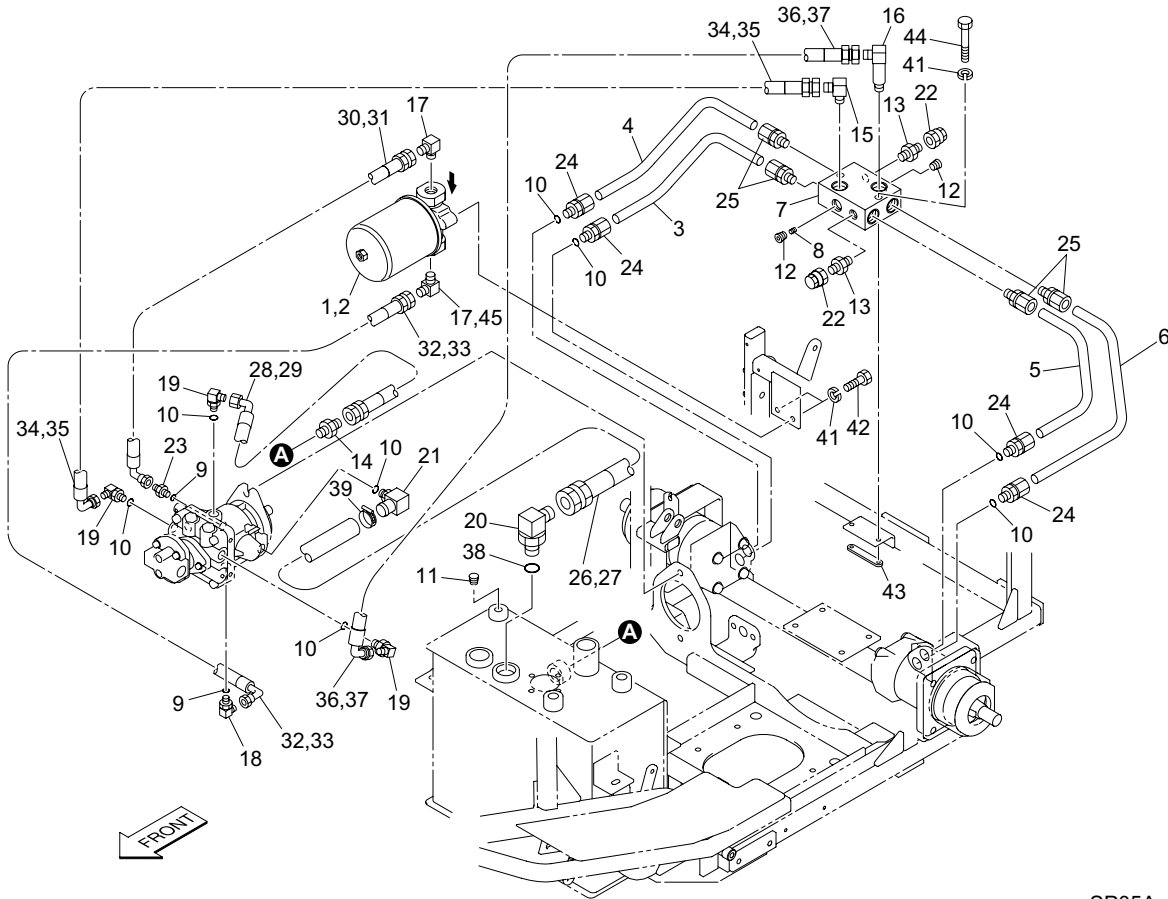


SP05A\_12\_z02

| Cat No. | Code No.    | Part name                | Qty | Remark | SN of application |
|---------|-------------|--------------------------|-----|--------|-------------------|
| 12 - 31 | K1440000020 | GREASE NIPPLE, TYPE C    | 1   |        |                   |
| 12 - 32 | K1440000030 | GREASE NIPPLE, TYPE B    | 1   |        |                   |
| 12 - 33 | K5000080002 | WASHER, M8               | 11  |        |                   |
| 12 - 34 | K5000100002 | WASHER, M10              | 5   |        |                   |
| 12 - 35 | K5000140002 | WASHER, M14              | 1   |        |                   |
| 12 - 36 | K5051016240 | WASHER, C5191P 1-16-24   | 2   |        |                   |
| 12 - 37 | K0056080200 | SCREW, SUS + TRUSS M8-20 | 1   |        |                   |
| 12 - 38 | K0000080152 | BOLT, M8-15              | 2   |        |                   |
| 12 - 39 | K0000080202 | BOLT, M8-20              | 2   |        |                   |
| 12 - 40 | K0000100202 | BOLT, M10-20             | 3   |        |                   |
| 12 - 41 | K0200100002 | WASHER, SPRING M10       | 3   |        |                   |
| 12 - 42 | K4241000120 | BAND, PLASTIC TRCV-100W  | 2   |        |                   |
|         |             |                          |     |        |                   |
|         |             |                          |     |        |                   |
|         |             |                          |     |        |                   |

# 13. Hydraulic section A (Traveling related parts)

SP05A

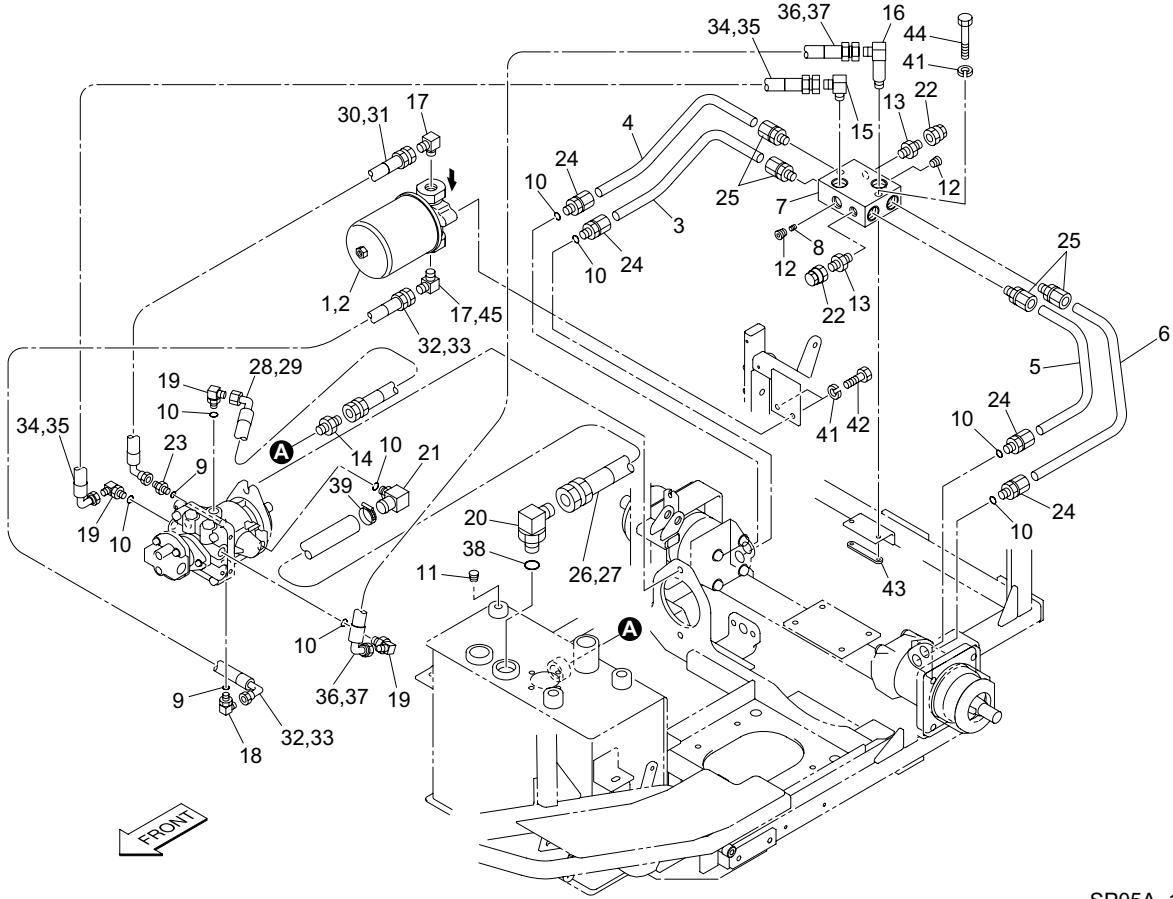


SP05A\_13\_z02

| Cat No. | Code No.        | Part name                         | Qty | Remark  | SN of application |
|---------|-----------------|-----------------------------------|-----|---------|-------------------|
| 13 - 1  | K3412000010     | FILTER, CARTRIDGE SP04            | 1   |         |                   |
| 13 - 2  | K3412000050     | FILTER, FOR REPLACEMENT C-SP04-10 | 1   |         |                   |
| 13 - 3  | SP05---0403Z2-Y | PIPE, A                           | 1   |         |                   |
| 13 - 4  | SP05---0404Z2-Y | PIPE, B                           | 1   |         |                   |
| 13 - 5  | SP05---0405Z2-Y | PIPE, C                           | 1   |         |                   |
| 13 - 6  | SP05---0406Z2-Y | PIPE, D                           | 1   |         |                   |
| 13 - 7  | SP05---0414A2-Y | MANIFOLD                          | 1   |         |                   |
| 13 - 8  | SP05---0407Z1   | ORIFICE, PT1/8-0.7                | 1   |         |                   |
| 13 - 9  | K0881014000     | O-RING, P14B                      | 2   |         |                   |
| 13 - 10 | K0881018000     | O-RING, P18B                      | 8   |         |                   |
| 13 - 11 | K1422104001-Y   | PLUG, TAPERED W/HEX HOLE T1 1/4   | 1   | for 2WD |                   |
| 13 - 12 | K1422106001-Y   | PLUG, TAPERED W/HEX HOLE T1 3/8   | 2   | for 2WD |                   |
| 13 - 13 | K3000060002-Y   | ADAPTER, 1013-6                   | 2   |         |                   |
| 13 - 14 | K3000120002-Y   | ADAPTER, 1013-12                  | 1   |         |                   |
| 13 - 15 | K3001120002-Y   | ELBOW, 90 1033-12                 | 1   |         |                   |
| 13 - 16 | K3005000032-Y   | ELBOW, LONG 1/2                   | 1   |         |                   |
| 13 - 17 | K3006000022-Y   | ELBOW, ODD SIZED PT1/2*PF3/8      | 2   | for 2WD |                   |
| 13 - 18 | K3008000032-Y   | ELBOW, ADJUSTABLE 90 1086-9       | 1   |         |                   |
| 13 - 19 | K3008000042-Y   | ELBOW, ADJUSTABLE 90 1086-12      | 3   |         |                   |
| 13 - 20 | K3008000052-Y   | ELBOW, ADJUSTABLE 90 1086-19      | 1   |         |                   |
| 13 - 21 | K3008000422-Y   | ELBOW, ADJUSTABLE SFD4507         | 1   |         |                   |
| 13 - 22 | K3008000482-Y   | CAP, TAPPED FEMALE PF1/4          | 2   |         |                   |
| 13 - 23 | K3009000142-Y   | ADAPTER, PF3/8PF3/8               | 1   |         |                   |
| 13 - 24 | K3026315081-Y   | CONNECTOR, KCO 15-040E            | 4   |         |                   |
| 13 - 25 | K3026615081-Y   | CONNECTOR, KCT 15-040E            | 4   |         |                   |
| 13 - 26 | SP05---0412Z0   | HOSE, SUCTION 620                 | 1   |         |                   |
| 13 - 27 | K3192004300     | TUBE, SPIRAL SP-20 430            | 1   |         |                   |
| 13 - 28 | K3100430320     | HOSE, WP35-12-3-320               | 1   |         |                   |
| 13 - 29 | K3191001700     | TUBE, SPIRAL SP-15 170            | 1   |         |                   |
| 13 - 30 | K3101330550     | HOSE, WP70-9-3-550                | 1   |         |                   |

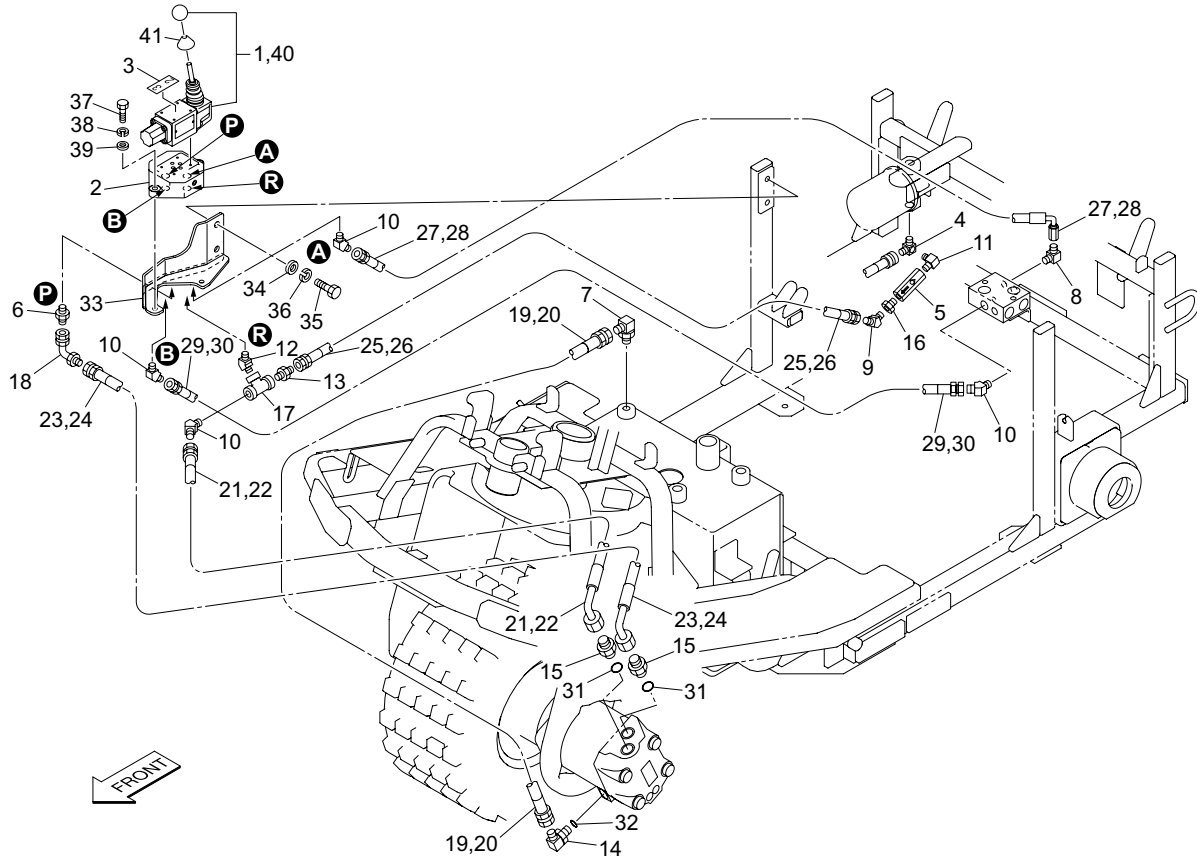
# 13. Hydraulic section A (Traveling related parts)

SP05A



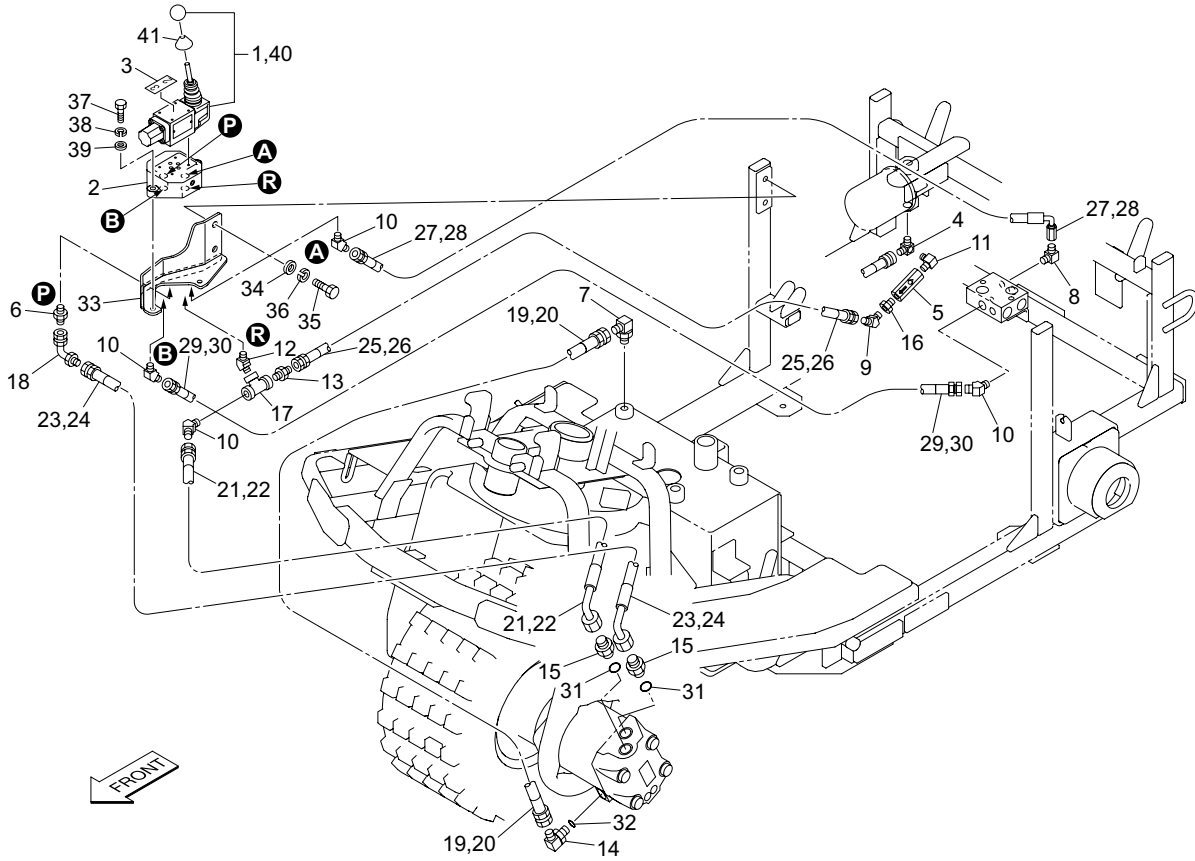
SP05A\_13\_z02

| Cat No. | Code No.      | Part name                  | Qty | Remark  | SN of application |
|---------|---------------|----------------------------|-----|---------|-------------------|
| 13 - 31 | K3191004000   | TUBE, SPIRAL SP-15 400     | 1   |         |                   |
| 13 - 32 | K3101330600   | HOSE, WP70-9-3-600         | 1   |         |                   |
| 13 - 33 | K3191004500   | TUBE, SPIRAL SP-15 450     | 1   |         |                   |
| 13 - 34 | K3104430580   | HOSE, WP175-12-3-580       | 1   |         |                   |
| 13 - 35 | K3191004300   | TUBE, SPIRAL SP-15 430     | 1   |         |                   |
| 13 - 36 | K3104430630   | HOSE, WP175-12-3-630       | 1   |         |                   |
| 13 - 37 | K3191004800   | TUBE, SPIRAL SP-15 480     | 1   |         |                   |
| 13 - 38 | K0881024000   | O-RING, P24B               | 1   |         |                   |
| 13 - 39 | K4260000190   | CLAMP, HOSE JUBILEE BAND 1 | 1   |         |                   |
| 13 - 40 |               |                            |     |         |                   |
| 13 - 41 | K0200080002   | WASHER, SPRING M8          | 4   |         |                   |
| 13 - 42 | K0000080202   | BOLT, M8-20                | 2   |         |                   |
| 13 - 43 | SP05A--0402ZD | MOUNT, W/M8                | 1   |         |                   |
| 13 - 44 | K0000080502   | BOLT, M8-50                | 2   |         |                   |
| 13 - 45 | K3009000382-Y | ELBOW                      | 1   | for 3WD |                   |
|         |               |                            |     |         |                   |
|         |               |                            |     |         |                   |
|         |               |                            |     |         |                   |



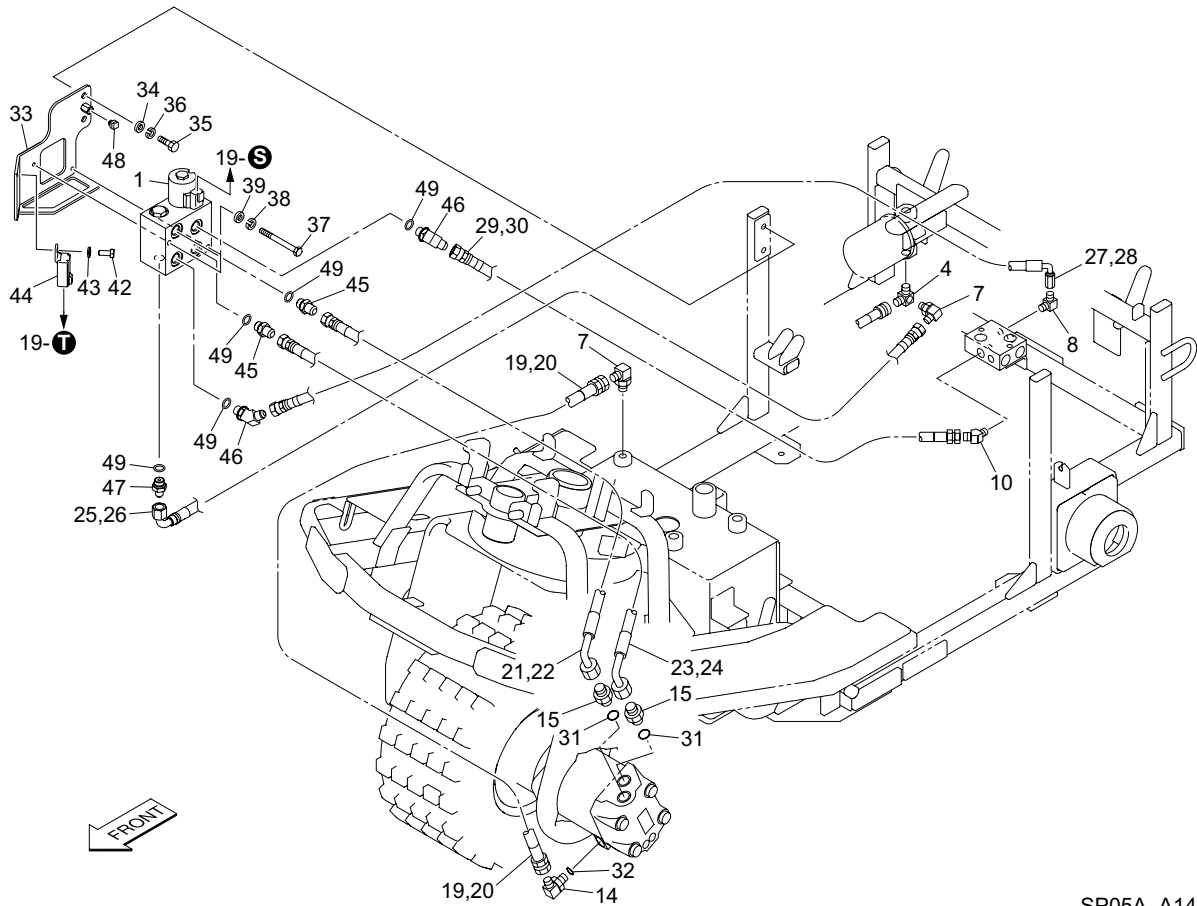
SP05A\_14\_z03

| Cat No. | Code No.        | Part name                      | Qty | Remark | SN of application |
|---------|-----------------|--------------------------------|-----|--------|-------------------|
| 14 - 1  | K3302000020     | VALVE, MANUAL SWITCH HD-02376  | 1   |        |                   |
| 14 - 2  | K3314000050     | SUB-PLATE, SHD025-03T3A        | 1   |        |                   |
| 14 - 3  | K4203001380     | DECAL, 2WD-3WD SHIFT LEVER     | 1   |        |                   |
| 14 - 4  | SP05---0413Z2-Y | ELBOW                          | 1   |        |                   |
| 14 - 5  | K3341000010     | VALVE, CHECK HK3-ET1-03A       | 1   |        |                   |
| 14 - 6  | K3000090002-Y   | ADAPTER, 1013-9                | 1   |        |                   |
| 14 - 7  | K3001060002-Y   | ELBOW, 90 1033-6               | 1   |        |                   |
| 14 - 8  | K3001090002-Y   | ELBOW, 90 1033-9               | 1   |        |                   |
| 14 - 9  | K3003060002-Y   | ELBOW, 45 1035-6               | 1   |        |                   |
| 14 - 10 | K3003090002-Y   | ELBOW, 45 1035-9               | 4   |        |                   |
| 14 - 11 | K3006000032-Y   | ELBOW, ODD SIZED PT1/4*PT3/8   | 1   |        |                   |
| 14 - 12 | K3006000142-Y   | ELBOW, 45 PT3/8                | 1   |        |                   |
| 14 - 13 | K3007000062-Y   | ADAPTER, ODD SIZED PT3/8*PF1/4 | 1   |        |                   |
| 14 - 14 | K3008000442-Y   | ADAPTER, 90 1086-6             | 1   |        |                   |
| 14 - 15 | K3009000022-Y   | ADAPTER, PF1/2*PF3/8           | 2   |        |                   |
| 14 - 16 | K3020060401-Y   | BUSHING, BUT 3/8*1/4           | 1   |        |                   |
| 14 - 17 | K3021060002-Y   | TEE, TEF PT3/8                 | 1   |        |                   |
| 14 - 18 | K3025069062-Y   | ADAPTER, FOR PIPE 069-06       | 1   |        |                   |
| 14 - 19 | K3101211320     | HOSE, WP70-6-1-1320            | 1   |        | 21029-21971       |
| 14 - 20 | K3190011700     | TUBE, SPIRAL SP-12 1170        | 1   |        | 21029-21971       |
| 14 - 21 | K3103321580     | HOSE, WP140-9-2-1580           | 1   |        |                   |
| 14 - 22 | K3191014300     | TUBE, SPIRAL SP-15 1430        | 1   |        |                   |
| 14 - 23 | K3103321610     | HOSE, WP140-9-2-1610           | 1   |        |                   |
| 14 - 24 | K3191014600     | TUBE, SPIRAL SP-15 1460        | 1   |        |                   |
| 14 - 25 | K3101210220     | HOSE, WP70-6-1-220             | 1   |        |                   |
| 14 - 26 | K3190000700     | TUBE, SPIRAL SP-12 70          | 1   |        |                   |
| 14 - 27 | K3103330530     | HOSE, WP140-9-3-530            | 1   |        |                   |
| 14 - 28 | K3191003800     | TUBE, SPIRAL SP-15 380         | 1   |        |                   |
| 14 - 29 | K3103310480     | HOSE, WP140-9-1-480            | 1   |        |                   |
| 14 - 30 | K3191003300     | TUBE, SPIRAL SP-15 330         | 1   |        |                   |



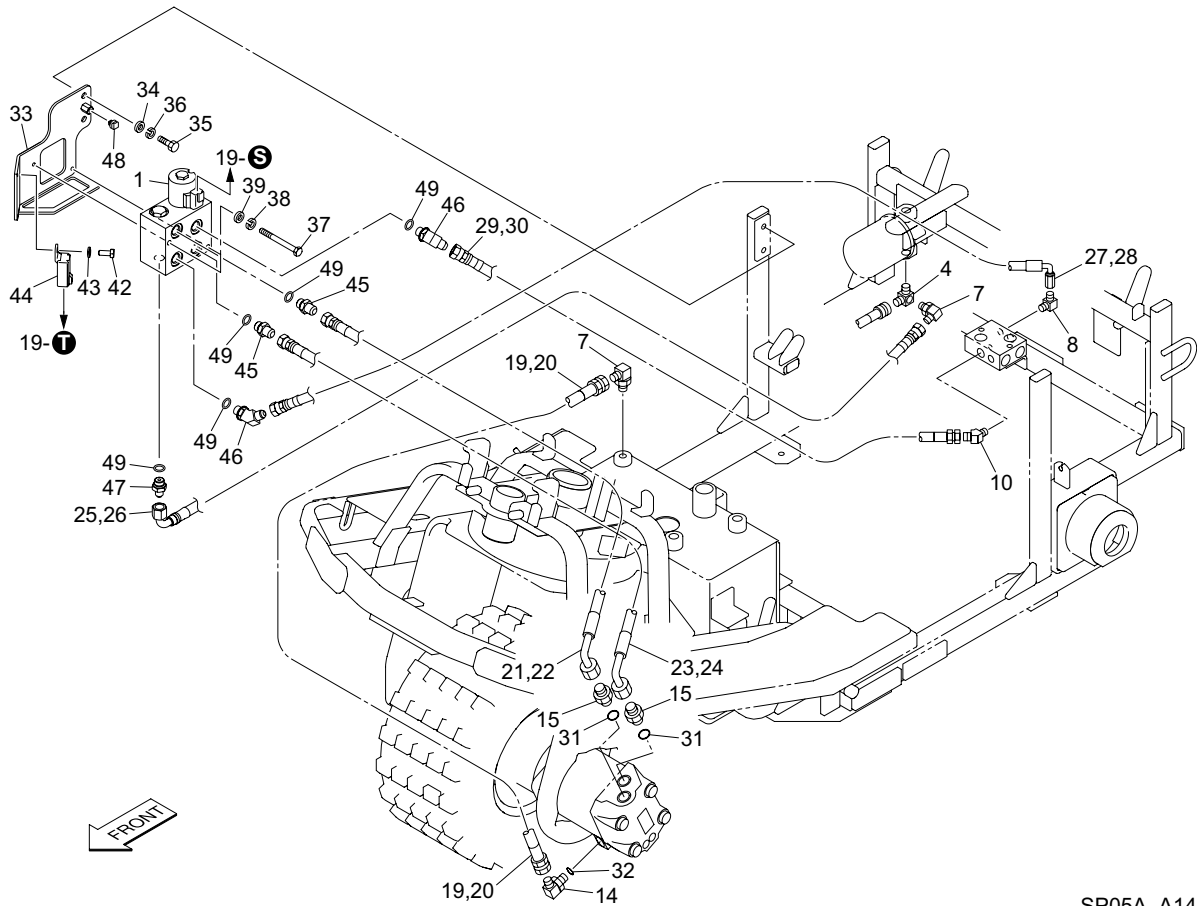
SP05A\_14\_z03

| Cat No. | Code No.     | Part name              | Qty | Remark | SN of application |
|---------|--------------|------------------------|-----|--------|-------------------|
| 14 - 31 | K0881018000  | O-RING, P18B           | 2   |        |                   |
| 14 - 32 | K0881011000  | O-RING, P11B           | 1   |        |                   |
| 14 - 33 | SP05--0421ZD | MOUNT, SWITCHING VALVE | 1   |        |                   |
| 14 - 34 | K5000100002  | WASHER, M10            | 2   |        |                   |
| 14 - 35 | K0000100202  | BOLT, M10-20           | 2   |        |                   |
| 14 - 36 | K0200100002  | WASHER, SPRING M10     | 2   |        |                   |
| 14 - 37 | K0000080252  | BOLT, M8-25            | 2   |        |                   |
| 14 - 38 | K0200080002  | WASHER, SPRING M8      | 2   |        |                   |
| 14 - 39 | K5000080002  | WASHER, M8             | 2   |        |                   |
| 14 - 40 | K0880009000  | O-RING, P9             | 4   |        |                   |
| 14 - 41 | K4031000360  | RUBBER, STAGED 8.5-30  | 1   |        | 21145-21931       |
|         |              |                        |     |        |                   |
|         |              |                        |     |        |                   |
|         |              |                        |     |        |                   |
|         |              |                        |     |        |                   |



SP05A\_A14\_z00

| Cat No.   | Code No.        | Part name                       | Qty | Remark | SN of application |
|-----------|-----------------|---------------------------------|-----|--------|-------------------|
| A14 a- 1  | K3313001010     | VALVE COMP, SOLENOID HF80807-12 | 1   |        |                   |
| A14 a- 2  |                 |                                 |     |        |                   |
| A14 a- 3  |                 |                                 |     |        |                   |
| A14 - 4   | SP05---0413Z2-Y | ELBOW                           | 1   |        |                   |
| A14 a- 5  |                 |                                 |     |        |                   |
| A14 a- 6  |                 |                                 |     |        |                   |
| A14 a- 7  | K3001060002-Y   | ELBOW, 90 1033-6                | 2   |        |                   |
| A14 - 8   | K3001090002-Y   | ELBOW, 90 1033-9                | 1   |        |                   |
| A14 a- 9  |                 |                                 |     |        |                   |
| A14 a- 10 | K3003090002-Y   | ELBOW, 45 1035-9                | 1   |        |                   |
| A14 a- 11 |                 |                                 |     |        |                   |
| A14 a- 12 |                 |                                 |     |        |                   |
| A14 a- 13 |                 |                                 |     |        |                   |
| A14 - 14  | K3008000442-Y   | ADAPTER, 90 1086-6              | 1   |        |                   |
| A14 - 15  | K3009000022-Y   | ADAPTER, PF1/2*PF3/8            | 2   |        |                   |
| A14 a- 16 |                 |                                 |     |        |                   |
| A14 a- 17 |                 |                                 |     |        |                   |
| A14 a- 18 |                 |                                 |     |        |                   |
| A14 - 19  | K3101211320     | HOSE, WP70-6-1-1320             | 1   |        | 21029-21971       |
| A14 a- 19 | K3101211300     | HOSE, WP70-6-1-1300             | 1   |        | 21972-            |
| A14 - 20  | K3190011700     | TUBE, SPIRAL SP-12 1170         | 1   |        | 21029-21971       |
| A14 a- 20 | K3190012000     | TUBE, SPIRAL SP-12 1200         | 1   |        | 21972-            |
| A14 a- 21 | K3103321620     | HOSE, WP140-9-2-1620            | 1   |        |                   |
| A14 a- 22 | K3191015200     | TUBE, SPIRAL SP-15 1520         | 1   |        |                   |
| A14 a- 23 | K3103321650     | HOSE, WP140-9-2-1650            | 1   |        |                   |
| A14 a- 24 | K3191015500     | TUBE, SPIRAL SP-15 1550         | 1   |        |                   |
| A14 a- 25 | K3101230390     | HOSE, WP70-6-3-390              | 1   |        |                   |
| A14 a- 26 | K3190002900     | TUBE, SPIRAL SP-12 290          | 1   |        |                   |
| A14 - 27  | K3103330530     | HOSE, WP140-9-3-530             | 1   |        |                   |
| A14 a- 28 | K3191004300     | TUBE, SPIRAL SP-15 430          | 1   |        |                   |

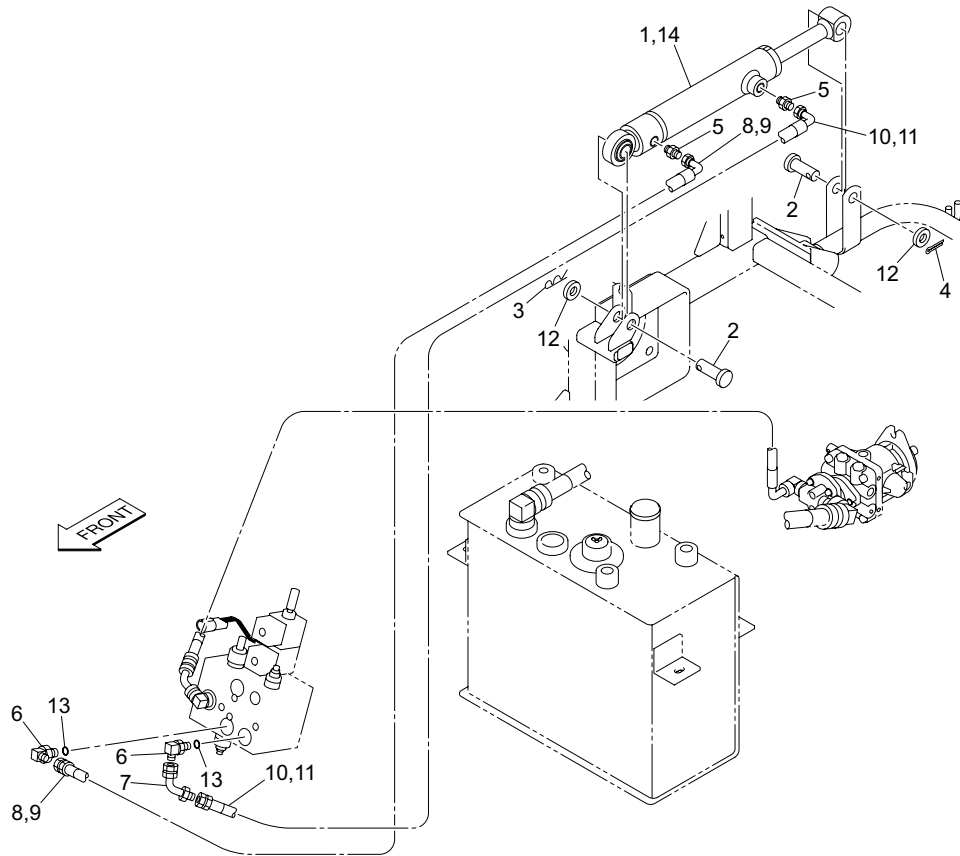


SP05A\_A14\_z00

| Cat No.   | Code No.      | Part name                    | Qty | Remark | SN of application |
|-----------|---------------|------------------------------|-----|--------|-------------------|
| A14 a- 29 | K3103310380   | HOSE, WP140-9-1-380          | 1   |        |                   |
| A14 a- 30 | K3191002800   | TUBE, SPIRAL SP-15 280       | 1   |        |                   |
| A14 - 31  | K0881018000   | O-RING, P18B                 | 2   |        |                   |
| A14 - 32  | K0881011000   | O-RING, P11B                 | 1   |        |                   |
| A14 a- 33 | SP05A--0403ZD | PLATE, MOUNTING              | 1   |        |                   |
| A14 - 34  | K5000100002   | WASHER, M10                  | 2   |        |                   |
| A14 - 35  | K0000100202   | BOLT, M10-20                 | 2   |        |                   |
| A14 - 36  | K0200100002   | WASHER, SPRING M10           | 2   |        |                   |
| A14 a- 37 | K0003080752   | BOLT, M8-75                  | 2   |        |                   |
| A14 - 38  | K0200080002   | WASHER, SPRING M8            | 2   |        |                   |
| A14 - 39  | K5000080002   | WASHER, M8                   | 2   |        |                   |
| A14 a- 40 |               |                              |     |        |                   |
| A14 a- 41 |               |                              |     |        |                   |
| A14 - 42  | K0000060152   | BOLT, M6-15                  | 1   |        |                   |
| A14 - 43  | K0200060002   | WASHER, SPRING M6            | 1   |        |                   |
| A14 - 44  | K3681000090   | RELAY, ACA12135              | 1   |        |                   |
| A14 - 45  | K3009000142-Y | ADAPTER, PF3/8 PF3/8         | 2   |        |                   |
| A14 - 46  | K3008000862-Y | ELBOW, ADJUSTABLE 45-1085-9  | 2   |        |                   |
| A14 - 47  | K3009000202-Y | ADAPTER, PF1/4*PF3/8         | 1   |        |                   |
| A14 - 48  | K4251000050   | MOUNT, PLASTIC FOR WIRE FT11 | 1   |        |                   |
| A14 - 49  | K0881014000   | O-RING, P14B                 | 5   |        |                   |
|           |               |                              |     |        |                   |

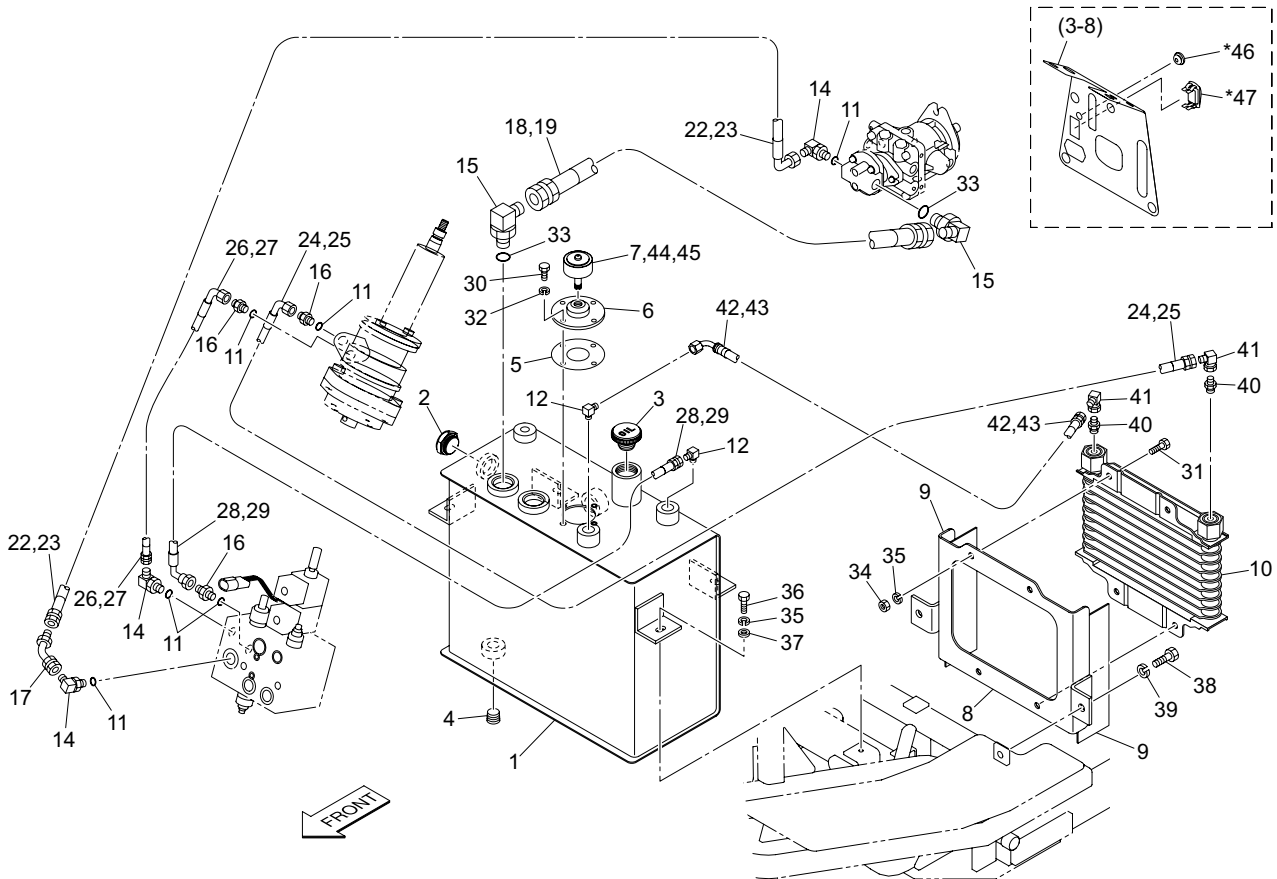
# 15. Hydraulic section C (Cylinder)

SP05A



SP05A\_15\_z01

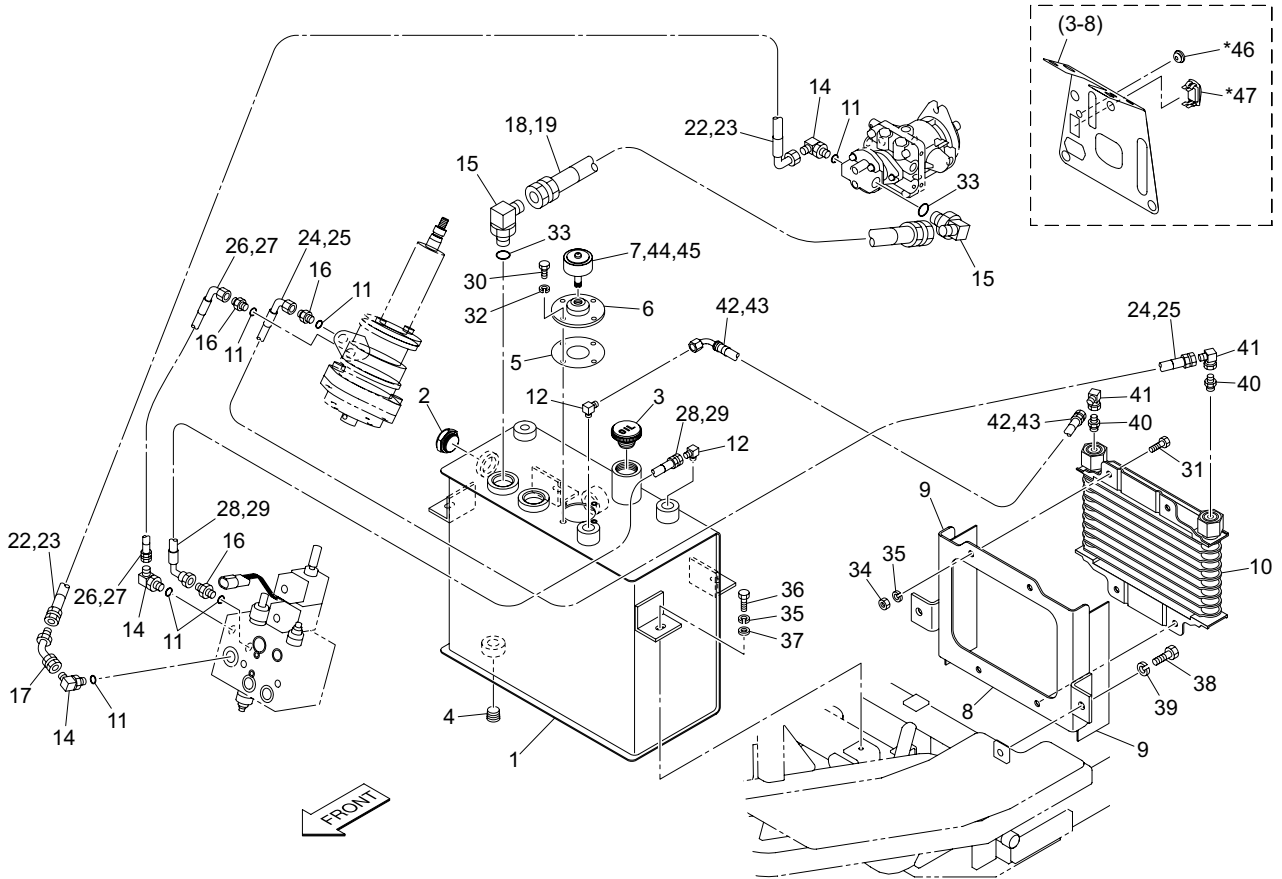
| Cat No. | Code No.      | Part name                | Qty | Remark | SN of application |
|---------|---------------|--------------------------|-----|--------|-------------------|
| 15 - 1  | K321300004D   | CYLINDER, 30-125-310     | 1   |        |                   |
| 15 - 2  | K6031160402   | PIN, FLAT HEAD HT M16-40 | 2   |        |                   |
| 15 - 3  | K0331600008   | PIN, SNAP M16            | 1   |        |                   |
| 15 - 4  | K0300032252   | PIN, COTTER M3.2-25      | 1   |        |                   |
| 15 - 5  | K3000060002-Y | ADAPTER, 1013-6          | 2   |        |                   |
| 15 - 6  | K3008000442-Y | ADAPTER, 90 1086-6       | 2   |        |                   |
| 15 - 7  | K3025064042-Y | ADAPTER, FOR PIPE 064-04 | 1   |        |                   |
| 15 - 8  | K3102231530   | HOSE, WP105-6-3-1530     | 1   |        |                   |
| 15 - 9  | K3190013800   | TUBE, SPIRAL SP-12 1380  | 1   |        |                   |
| 15 - 10 | K3102231600   | HOSE, WP105-6-3-1600     | 1   |        |                   |
| 15 - 11 | K3190014700   | TUBE, SPIRAL SP-12 1470  | 1   |        |                   |
| 15 - 12 | K5000160002   | WASHER, M16              | 2   |        |                   |
| 15 - 13 | K0881011000   | O-RING, P11B             | 2   |        |                   |
| 15 - 14 | YIS-30B-SK    | SEAL KIT, CYLINDER       | 1   |        |                   |
|         |               |                          |     |        |                   |
|         |               |                          |     |        |                   |
|         |               |                          |     |        |                   |



\* 2WD only

SP05A\_16\_z04

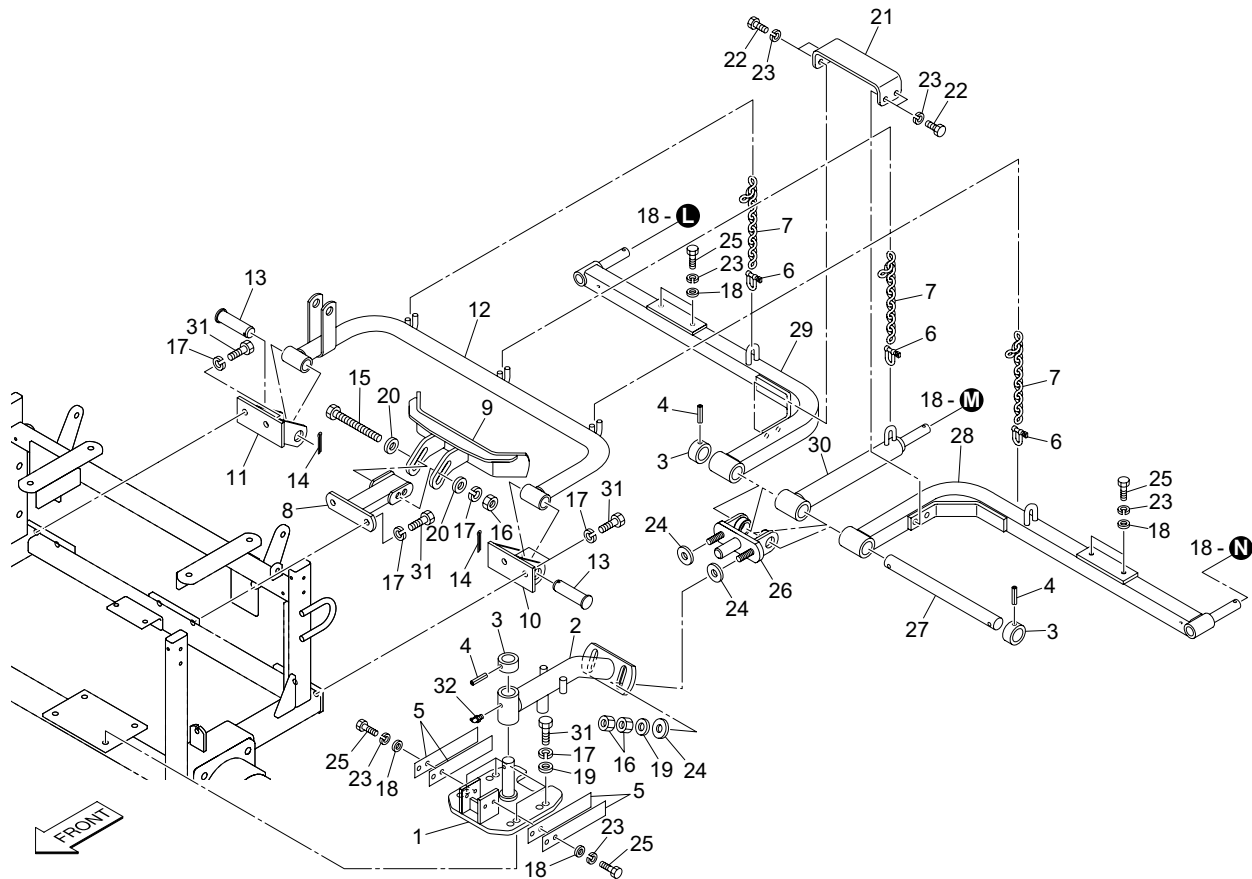
| Cat No. | Code No.        | Part name                       | Qty | Remark | SN of application |
|---------|-----------------|---------------------------------|-----|--------|-------------------|
| 16 - 1  | SP05---0401AD-Y | TANK, HYDRAULIC                 | 1   |        |                   |
| 16 - 2  | K1400000046-Y   | GAUGE, OIL G3/4 TYPE M          | 1   |        | 21029-21674       |
| 16 a- 2 | K1400000076-Y   | GAUGE, OIL G3/4 TYPE MG         | 1   |        | 21675-            |
| 16 - 3  | K1310000140     | CAP, OIL KRM-A4                 | 1   |        |                   |
| 16 - 4  | K1422106001-Y   | PLUG, TAPERED W/HEX HOLE T1 3/8 | 1   |        |                   |
| 16 - 5  | K4011000330     | PACKING, OIL-SHEET 0.8-4575     | 1   |        |                   |
| 16 - 6  | SP05---0402Z2-Y | MOUNT, BREATHER                 | 1   |        |                   |
| 16 - 7  | K1430000030     | BREATHER, AIR AP-02             | 1   |        |                   |
| 16 - 8  | SP05---0410BD   | BRACKET, OIL COOLER             | 1   |        |                   |
| 16 - 9  | K4033000510     | RUBBER, PLATE 2-60200           | 2   |        |                   |
| 16 - 10 | K3430000040     | OIL COOLER                      | 1   |        |                   |
| 16 - 11 | K0881014000     | O-RING, P14B                    | 6   |        |                   |
| 16 - 12 | K3001090002-Y   | ELBOW, 90 1033-9                | 2   |        |                   |
| 16 - 13 |                 |                                 |     |        |                   |
| 16 - 14 | K3008000032-Y   | ELBOW, ADJUSTABLE 90 1086-9     | 3   |        |                   |
| 16 - 15 | K3008000052-Y   | ELBOW, ADJUSTABLE 90 1086-19    | 2   |        |                   |
| 16 - 16 | K3009000142-Y   | ADAPTER, PF3/8PF3/8             | 3   |        |                   |
| 16 - 17 | K3025064062-Y   | ADAPTER, FOR PIPE 064-06        | 1   |        |                   |
| 16 - 18 | K3100610390     | HOSE, WP35-19-1-390             | 1   |        |                   |
| 16 - 19 | K3192001900     | TUBE, SPIRAL SP-20 190          | 1   |        |                   |
| 16 - 20 |                 |                                 |     |        |                   |
| 16 - 21 |                 |                                 |     |        |                   |
| 16 - 22 | K3101331030     | HOSE, WP70-9-3-1030             | 1   |        |                   |
| 16 - 23 | K3191008800     | TUBE, SPIRAL SP-15 880          | 1   |        |                   |
| 16 - 24 | K3101331290     | HOSE, WP70-9-3-1290             | 1   |        |                   |
| 16 - 25 | K3191011400     | TUBE, SPIRAL SP-15 1140         | 1   |        |                   |
| 16 - 26 | K3102330320     | HOSE, WP105-9-3-320             | 1   |        |                   |
| 16 - 27 | K3191001700     | TUBE, SPIRAL SP-15 170          | 1   |        |                   |
| 16 - 28 | K3102331050     | HOSE, WP105-9-3-1050            | 1   |        |                   |
| 16 - 29 | K3191009000     | TUBE, SPIRAL SP-15 900          | 1   |        |                   |



\* 2WD only

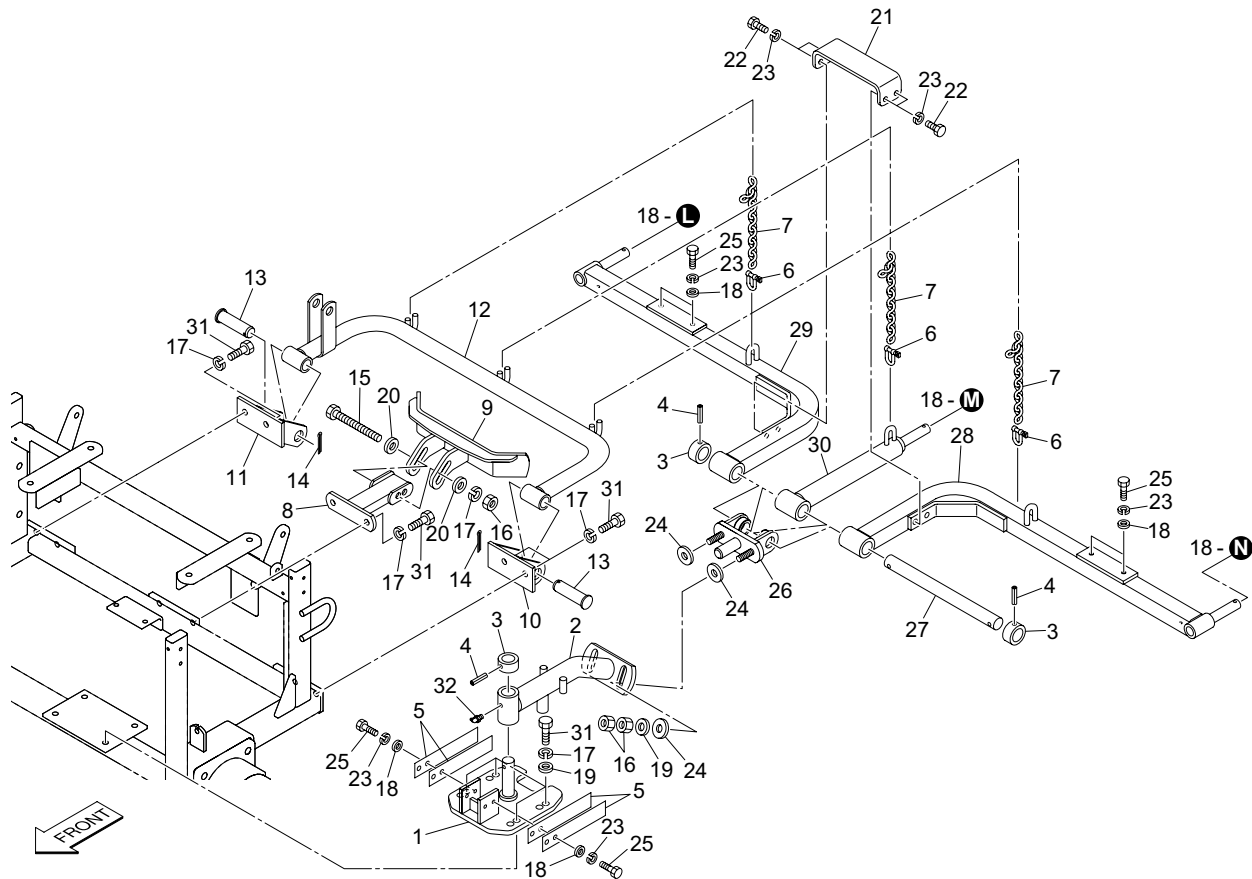
SP05A\_16\_z04

| Cat No. | Code No.      | Part name                      | Qty | Remark | SN of application |
|---------|---------------|--------------------------------|-----|--------|-------------------|
| 16 - 30 | K0000060152   | BOLT, M6-15                    | 4   |        |                   |
| 16 - 31 | K0000080152   | BOLT, M8-15                    | 4   |        |                   |
| 16 - 32 | K0200060002   | WASHER, SPRING M6              | 4   |        |                   |
| 16 - 33 | K0881024000   | O-RING, P24B                   | 2   |        |                   |
| 16 - 34 | K0100080002   | NUT, M8                        | 4   |        |                   |
| 16 - 35 | K0200080002   | WASHER, SPRING M8              | 8   |        |                   |
| 16 - 36 | K0000080152   | BOLT, M8-15                    | 4   |        |                   |
| 16 - 37 | K5000080002   | WASHER, M8                     | 4   |        |                   |
| 16 - 38 | K0000100152   | BOLT, M10-15                   | 2   |        |                   |
| 16 - 39 | K0200100002   | WASHER, SPRING M10             | 2   |        |                   |
| 16 - 40 | K3007000022-Y | ADAPTER, ODD SIZED PT1/2*PF3/8 | 2   |        |                   |
| 16 - 41 | K3008000972-Y | ELBOW, UNION G3/8              | 2   |        |                   |
| 16 - 42 | K3101330410   | HOSE, WP70-9-3-410             | 1   |        |                   |
| 16 - 43 | K3191003100   | TUBE, SPIRAL SP-15 310         | 1   |        |                   |
| 16 - 44 | K0922040000   | SEAL, WASHER 4WF               | 1   |        |                   |
| 16 - 45 | K1430000060   | ELEMENT, AIR P-AP-02-20U       | 1   |        |                   |
| 16 - 46 | K3661000250   | PLUG, FIXING HOLE              | 1   | 2WD    | 21932-            |
| 16 - 47 | K0900300090   | GROMMET, W/SEALING             | 1   | 2WD    | 21932-            |
|         |               |                                |     |        |                   |
|         |               |                                |     |        |                   |



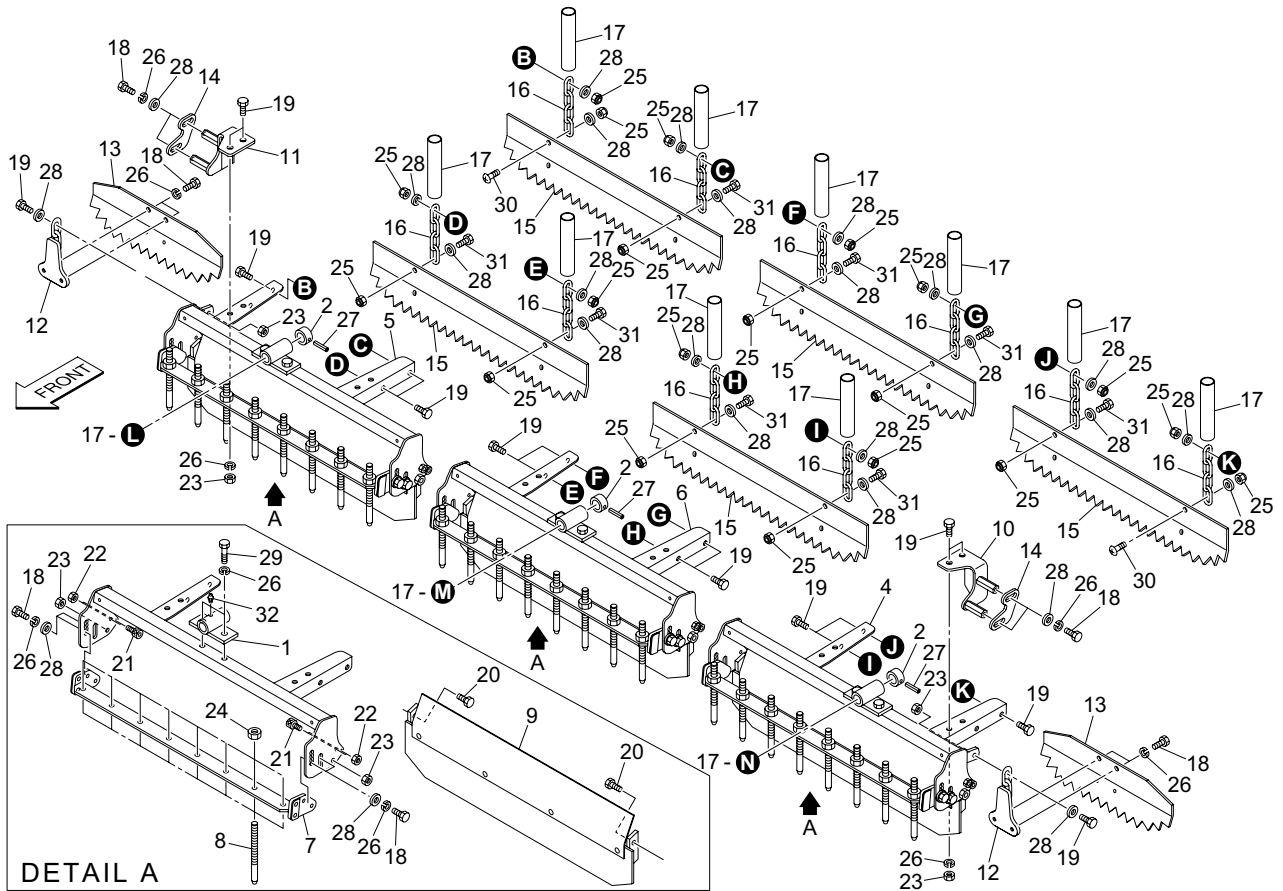
SP05A\_17\_z01

| Cat No. | Code No.      | Part name                     | Qty | Remark | SN of application |
|---------|---------------|-------------------------------|-----|--------|-------------------|
| 17 - 1  | SP05---0701ZD | FULCRUM, RAKE                 | 1   |        |                   |
| 17 - 2  | SP05---0702AD | PIPE, RAKE FULCRUM            | 1   |        |                   |
| 17 - 3  | K6215000212   | COLLAR, STKM W/HOLE M20-30-17 | 3   |        |                   |
| 17 - 4  | K0324060321   | PIN, SPIRAL M6-32             | 3   |        |                   |
| 17 - 5  | K1090000110   | SPRING, PLATE M2-40200        | 4   |        |                   |
| 17 - 6  | K0410800002   | SHACKLES, M8                  | 3   |        |                   |
| 17 - 7  | K4535000022   | CHAINS, CROSS LINK B6-8       | 3   |        |                   |
| 17 - 8  | SP05---0724ZD | STAY, RAKE FIXTURE            | 1   |        |                   |
| 17 - 9  | SP05---0725ZD | FIXTURE, RAKE                 | 1   |        |                   |
| 17 - 10 | SP165--0602ZD | BRACKET, DOZER BLADE ARM (LH) | 1   |        |                   |
| 17 - 11 | SP165--0603ZD | BRACKET, DOZER BLADE ARM (RH) | 1   |        |                   |
| 17 - 12 | SP05---0727ZD | ARM, HANGING RAKE             | 1   |        |                   |
| 17 - 13 | K6031200702   | PIN, FLAT HEAD HT M20-70      | 2   |        |                   |
| 17 - 14 | K0300040322   | PIN, COTTER M4-32             | 2   |        |                   |
| 17 - 15 | K0000100802   | BOLT, M10-80                  | 1   |        |                   |
| 17 - 16 | K0100100002   | NUT, M10                      | 5   |        |                   |
| 17 - 17 | K0200100002   | WASHER, SPRING M10            | 11  |        |                   |
| 17 - 18 | K5000080002   | WASHER, M8                    | 8   |        |                   |
| 17 - 19 | K5000100002   | WASHER, M10                   | 6   |        |                   |
| 17 - 20 | K5073210262   | WASHER, SPHC 3.2-10-26        | 2   |        |                   |
| 17 - 21 | SP05---0707ZD | FITTING, U-SHAPED 160         | 1   |        |                   |
| 17 - 22 | K0010080152   | BOLT, HT M8-15                | 4   |        |                   |
| 17 - 23 | K0200080002   | WASHER, SPRING M8             | 12  |        |                   |
| 17 - 24 | K5051010260   | WASHER, C5191P 1-10-26        | 4   |        |                   |
| 17 - 25 | K0000080202   | BOLT, M8-20                   | 8   |        |                   |
| 17 - 26 | SP05---0729AD | FULCRUM, SWINGING RAKE        | 1   |        |                   |
| 17 - 27 | SP05---0730Z0 | SHAFT, RAKE M20-194           | 1   |        |                   |
| 17 - 28 | SP05---0731ZD | PIPE, RAKE (LH)               | 1   |        |                   |
| 17 - 29 | SP05---0732ZD | PIPE, RAKE (RH)               | 1   |        |                   |
| 17 - 30 | SP05---0733ZD | PIPE, RAKE (MIDDLE)           | 1   |        |                   |



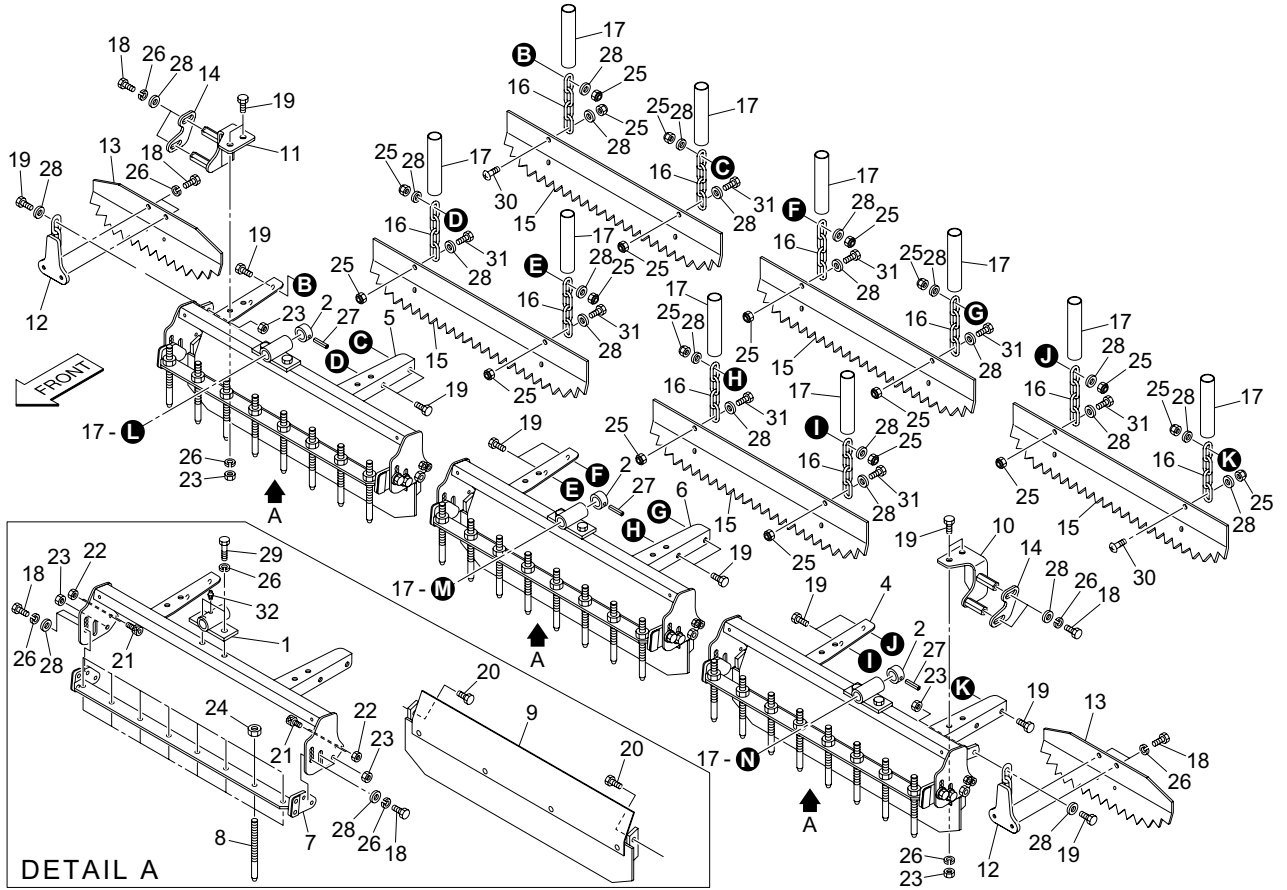
SP05A\_17\_z01

| Cat No. | Code No.    | Part name             | Qty | Remark | SN of application |
|---------|-------------|-----------------------|-----|--------|-------------------|
| 17 - 31 | K0000100202 | BOLT, M10-20          | 10  |        |                   |
| 17 - 32 | K1440000030 | GREASE NIPPLE, TYPE B | 1   |        |                   |
|         |             |                       |     |        |                   |
|         |             |                       |     |        |                   |
|         |             |                       |     |        |                   |
|         |             |                       |     |        |                   |
|         |             |                       |     |        |                   |
|         |             |                       |     |        |                   |
|         |             |                       |     |        |                   |



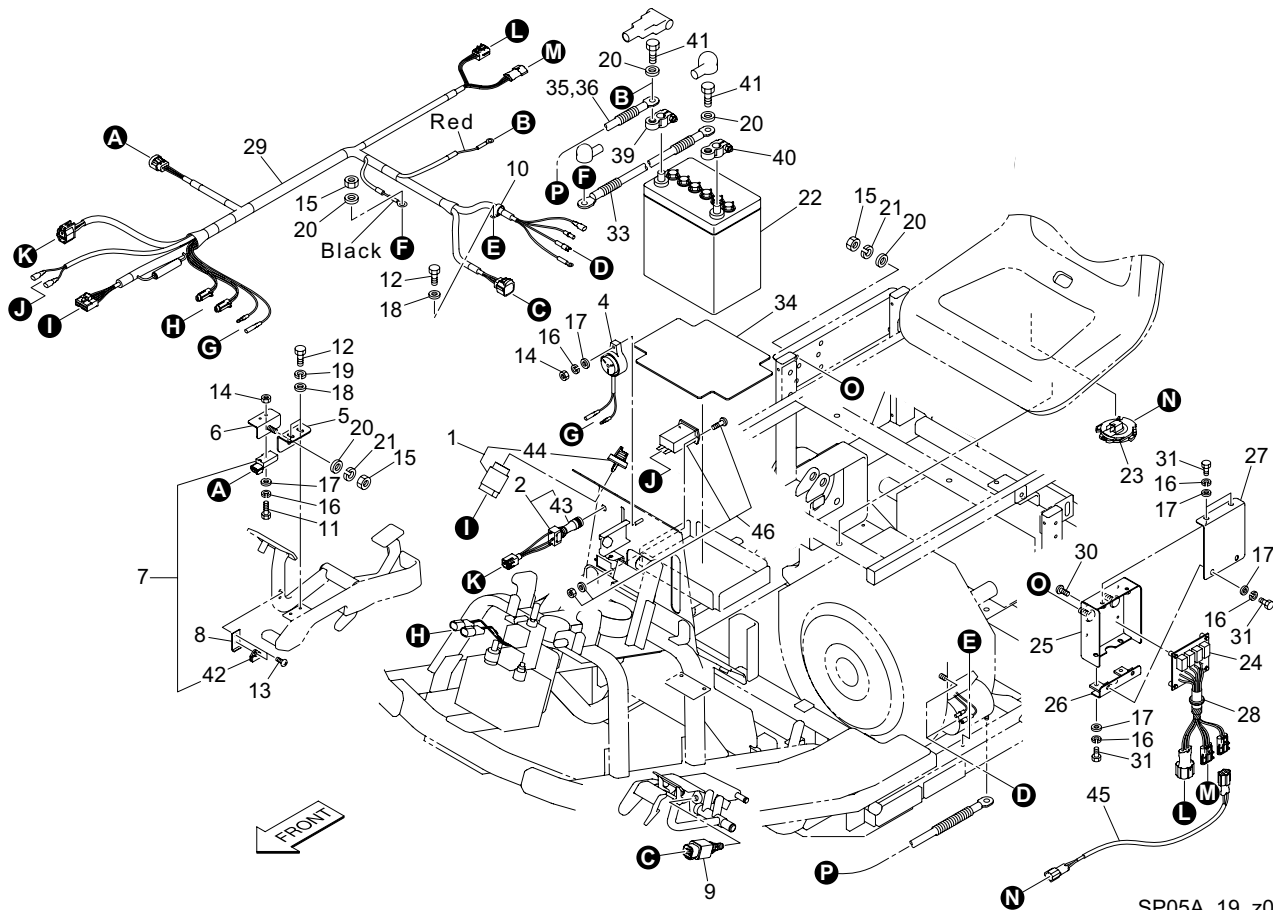
SP05A\_18\_z02

| Cat No. | Code No.      | Part name                     | Qty | Remark | SN of application |
|---------|---------------|-------------------------------|-----|--------|-------------------|
| 18 - 1  | SP05---0711BD | BRACKET, RAKE                 | 3   |        |                   |
| 18 - 2  | K6215000222   | COLLAR, STKM W/HOLE M16-25-13 | 3   |        |                   |
| 18 - 3  |               |                               |     |        |                   |
| 18 - 4  | SP05---0713AD | FRAME, RAKE (LH)              | 1   |        |                   |
| 18 - 5  | SP05---0714AD | FRAME, RAKE (RH)              | 1   |        |                   |
| 18 - 6  | SP05---0715AD | FRAME, RAKE (CENTER)          | 1   |        |                   |
| 18 - 7  | SP05---0716ZD | BRACKET, FORK                 | 3   |        |                   |
| 18 - 8  | K6175000218   | BAR, THREADED FORK PRONG      | 24  |        |                   |
| 18 - 9  | SP05---0717AD | RUNNERS                       | 3   |        |                   |
| 18 - 10 | SP05---0718ZD | GUIDE, SIDE SMOOTHER (LH)     | 1   |        |                   |
| 18 - 11 | SP05---0719ZD | GUIDE, SIDE SMOOTHER (RH)     | 1   |        |                   |
| 18 - 12 | SP05---0720ZD | BRACKET, SIDE SMOOTHER        | 2   |        |                   |
| 18 - 13 | SP05---0723AD | PLATE, SIDE SMOOTHER 20-15    | 2   |        |                   |
| 18 - 14 | SP05---0721ZD | PLATE, STOPPER                | 2   |        |                   |
| 18 - 15 | SP05---0722ZD | PLATE, SMOOTHER 20-15 DEG     | 5   |        |                   |
| 18 - 16 | K4532000012   | CHAINS, GENERAL USE 4.8-4     | 10  |        |                   |
| 18 - 17 | K3172200800   | HOSE, VINYL 19*23-80          | 10  |        |                   |
| 18 - 18 | K0000080152   | BOLT, M8-15                   | 20  |        |                   |
| 18 - 19 | K0000080202   | BOLT, M8-20                   | 16  |        |                   |
| 18 - 20 | K0010080202   | BOLT, HT M8-20                | 6   |        |                   |
| 18 - 21 | K0060060120   | BOLT, SUS W/HEX HOLE M6-12    | 12  |        |                   |
| 18 - 22 | K0100060002   | NUT, M6                       | 12  |        |                   |
| 18 - 23 | K0100080002   | NUT, M8                       | 12  |        |                   |
| 18 - 24 | K0100100002   | NUT, M10                      | 24  |        |                   |
| 18 - 25 | K0144080002   | NUT, W/F-RING M8              | 20  |        |                   |
| 18 - 26 | K0200080002   | WASHER, SPRING M8             | 30  |        |                   |
| 18 - 27 | K0320050251   | PIN, SPRING M5-25             | 3   |        |                   |
| 18 - 28 | K5000080002   | WASHER, M8                    | 38  |        |                   |
| 18 - 29 | K0010080402   | BOLT, HT M8-40                | 6   |        |                   |
| 18 - 30 | K0056080300   | SCREW, SUS + TRUSS M8-30      | 2   |        |                   |



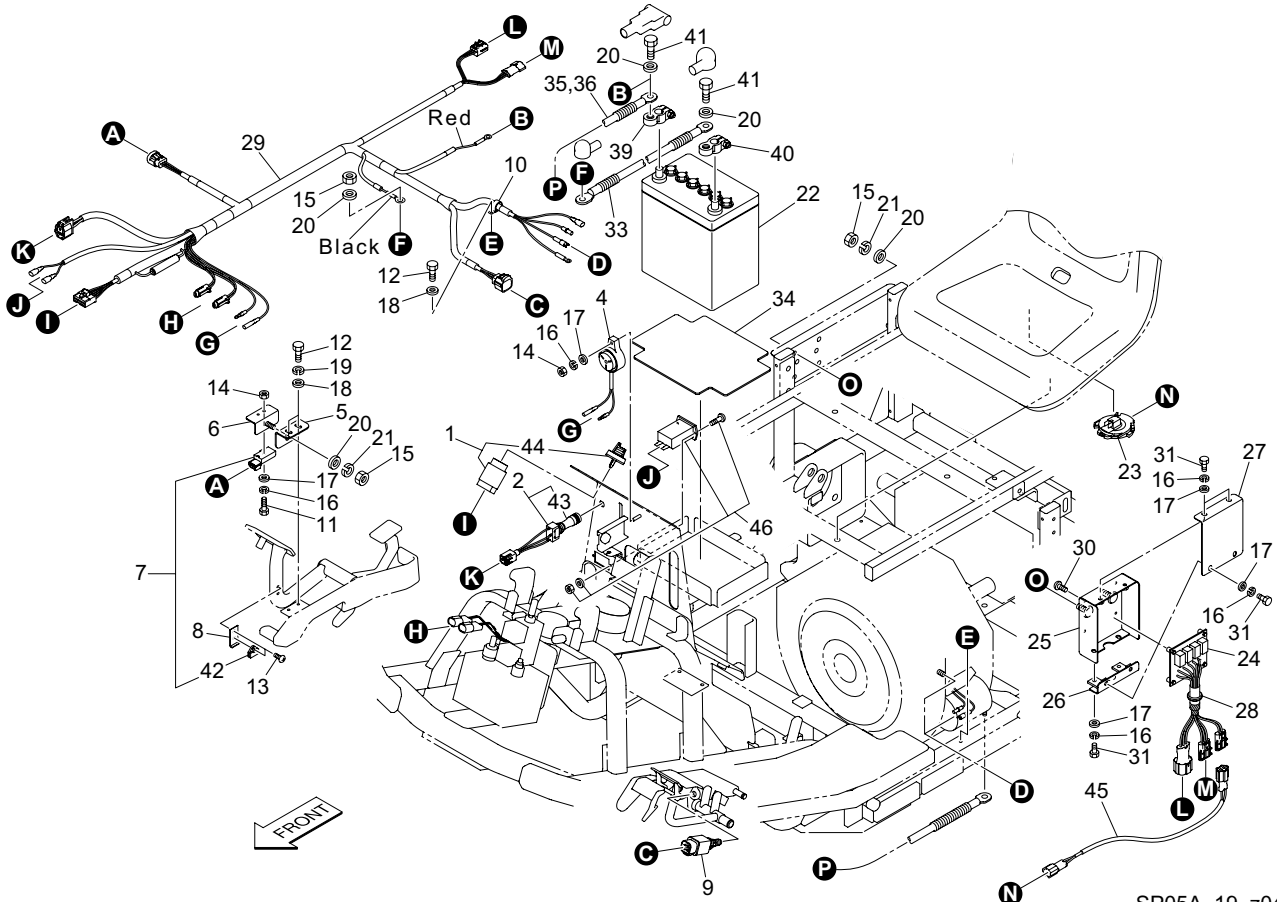
SP05A\_18\_z02

| Cat No. | Code No.    | Part name                      | Qty | Remark | SN of application |
|---------|-------------|--------------------------------|-----|--------|-------------------|
| 18 - 31 | K0000080252 | BOLT, M8-25                    | 8   |        |                   |
| 18 - 32 | K1440000010 | GREASE NIPPLE, STRAIGHT TYPE A | 3   |        |                   |
|         |             |                                |     |        |                   |
|         |             |                                |     |        |                   |
|         |             |                                |     |        |                   |
|         |             |                                |     |        |                   |
|         |             |                                |     |        |                   |
|         |             |                                |     |        |                   |
|         |             |                                |     |        |                   |



SP05A\_19\_z04

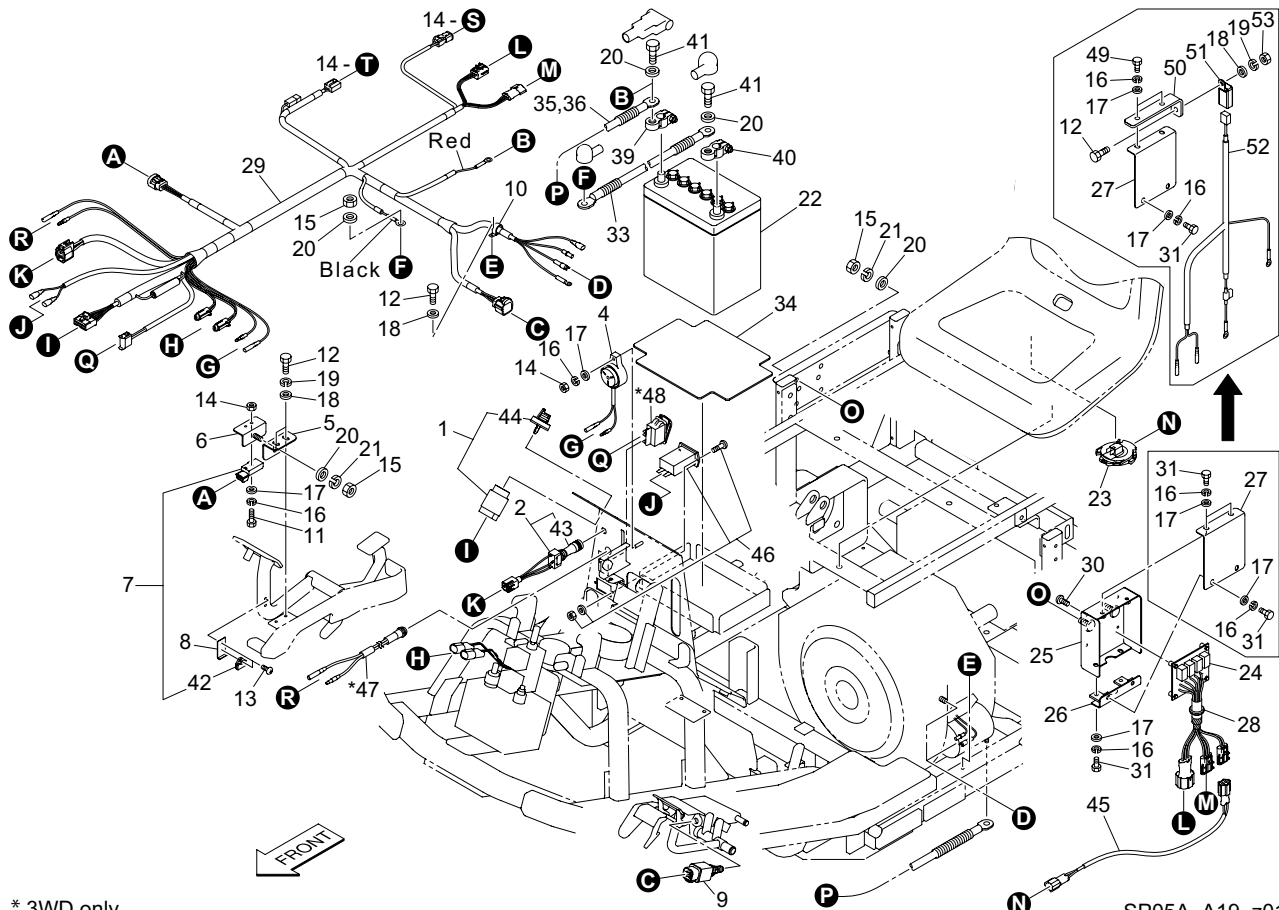
| Cat No. | Code No.      | Part name                      | Qty | Remark | SN of application |
|---------|---------------|--------------------------------|-----|--------|-------------------|
| 19 - 1  | K3660000050   | SWITCH, MAIN                   | 1   |        |                   |
| 19 - 2  | K3662000160   | SWITCH, TOGGLE FOR AUTO RETURN | 1   |        |                   |
| 19 - 3  |               |                                |     |        |                   |
| 19 - 4  | K3700000010   | BUZZER, EBM-12 TYPE            | 1   |        |                   |
| 19 - 5  | SP05---0603ZD | PLATE, POSITIONING SENSOR      | 1   |        |                   |
| 19 - 6  | SP05---0602ZD | BRACKET, SENSOR                | 1   |        |                   |
| 19 - 7  | K3720000140   | SWITCH, PROXIMITY NC V-out     | 1   |        |                   |
| 19 - 8  | SP05---0605Z2 | BRACKET, MAGNET                | 1   |        |                   |
| 19 - 9  | K3671000160   | SWITCH, LIMIT 2 CIRCUIT NO     | 1   |        |                   |
| 19 - 10 | K4270022060   | CLIP, HARNESS 22 M6            | 1   |        |                   |
| 19 - 11 | K0000050202   | BOLT, M5-20                    | 1   |        |                   |
| 19 - 12 | K0000060152   | BOLT, M6-15                    | 3   |        |                   |
| 19 - 13 | K0048050102   | SCREW, + ROUND HEAD W/SW M5-10 | 2   |        |                   |
| 19 - 14 | K0100050002   | NUT, M5                        | 2   |        |                   |
| 19 - 15 | K0100080002   | NUT, M8                        | 4   |        |                   |
| 19 - 16 | K0200050002   | WASHER, SPRING M5              | 8   |        |                   |
| 19 - 17 | K5000050002   | WASHER, M5                     | 8   |        |                   |
| 19 - 18 | K5000060002   | WASHER, M6                     | 3   |        | 21029-21951       |
| 19 - 19 | K0200060002   | WASHER, SPRING M6              | 2   |        | 21029-21951       |
| 19 - 20 | K5000080002   | WASHER, M8                     | 6   |        |                   |
| 19 - 21 | K0200080002   | WASHER, SPRING M8              | 3   |        |                   |
| 19 - 22 | K3600000220   | BATTERY, FB9000-46B19R         | 1   |        |                   |
| 19 - 23 | K1701000140   | SWITCH, SEAT NC C7247AS        | 1   |        |                   |
| 19 - 24 | SP05---2605Z0 | BOARD ASSY, SAFETY CIRCUIT     | 1   |        |                   |
| 19 - 25 | SP05---2601ZD | CASE, SUBSTRATE                | 1   |        |                   |
| 19 - 26 | SP05---2602ZD | COVER, CASE A                  | 1   |        |                   |
| 19 - 27 | SP05---2603ZD | COVER, CASE B                  | 1   |        |                   |
| 19 - 28 | K0910000110   | GROMMET, NG-79-J               | 1   |        |                   |
| 19 - 29 | SP05A--0601A0 | HARNESS, MAIN                  | 1   |        |                   |
| 19 - 30 | K0044030082   | SCREW, + ROUND HEAD W/SW M3-8  | 4   |        |                   |



SP05A\_19\_z04

| Cat No.  | Code No.      | Part name                                | Qty | Remark | SN of application |
|----------|---------------|--|-----|--------|-------------------|
| 19 - 31  | K0000050102   | BOLT, M5-10                              | 6   |        | 21029-21951       |
| 19 - 32  |               |  |     |        |                   |
| 19 - 33  | K3611000440   | WIRE, TO EARTH 300                       | 1   |        | 21029-21917       |
| 19 a- 33 | K3611000790   | WIRE, TO EARTH 300                       | 1   |        | 21918-            |
| 19 - 34  | K4033000530   | RUBBER, BATTERY MOUNT                    | 1   |        |                   |
| 19 - 35  | K3610000570   | WIRE, BATTERY (+) 1350                   | 1   |        | 21029-21917       |
| 19 a- 35 | K3610000890   | WIRE, BATTERY (+) 1350                   | 1   |        | 21918-            |
| 19 - 36  | K3194112900   | TUBE, CORRUGATED M10-1290                | 1   |        |                   |
| 19 - 37  |               |  |     |        |                   |
| 19 - 38  |               |  |     |        |                   |
| 19 - 39  | K3612000090   | TERMINAL, BATTERY (+) 4013-39-1          | 1   |        |                   |
| 19 - 40  | K3612000100   | TERMINAL, BATTERY (-) 4013-39-2          | 1   |        |                   |
| 19 - 41  | K0000080152   | BOLT, M8-15                              | 2   |        |                   |
| 19 - 42  | K1510000110   | MAGNET, W/PLASTIC BASE                   | 1   |        |                   |
| 19 - 43  | K3662000030-1 | CAP, RUBBER FOR AUTORETURN SWITCH ET115G | 1   |        |                   |
| 19 - 44  | K3660000050-1 | KEY, MAIN SWITCH                         | 1   |        |                   |
| 19 - 45  | K3620001100   | WIRE, SEAT SWITCH                        | 1   |        |                   |
| 19 - 46  | K3650000130   | HOUR METER, 636DC                        | 1   |        |                   |
|          |               |  |     |        |                   |
|          |               |  |     |        |                   |

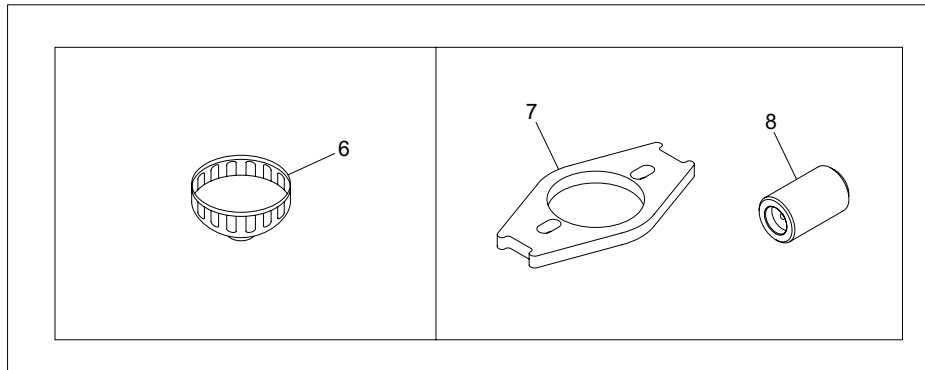
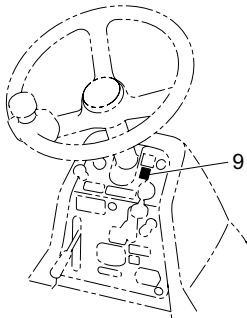
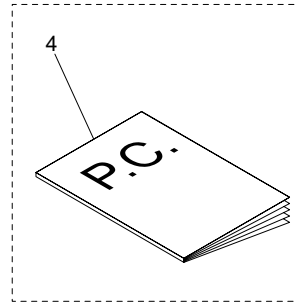
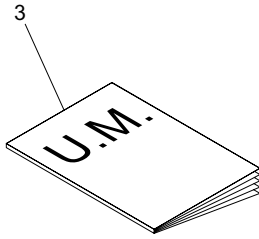
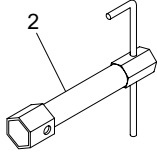
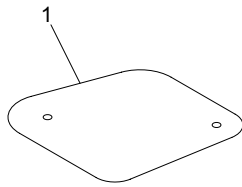




\* 3WD only

SP05A\_A19\_z01

| Cat No.   | Code No.      | Part name                                | Qty | Remark | SN of application |
|-----------|---------------|--|-----|--------|-------------------|
| A19 a- 29 | SP05A--0602Z0 | HARNESS, MAIN                            | 1   |        |                   |
| A19 - 30  | K0044030082   | SCREW, + ROUND HEAD W/SW M3-8            | 4   |        |                   |
| A19 - 31  | K0000050102   | BOLT, M5-10                              | 6   |        | 21029-21951       |
| A19 a- 31 | K0000050102   | BOLT, M5-10                              | 4   |        | 21952-            |
| A19 - 32  |               |  |     |        |                   |
| A19 a- 33 | K3611000790   | WIRE, TO EARTH 300                       | 1   |        | 21918-            |
| A19 - 34  | K4033000530   | RUBBER, BATTERY MOUNT                    | 1   |        |                   |
| A19 a- 35 | K3610000890   | WIRE, BATTERY (+) 1350                   | 1   |        | 21918-            |
| A19 - 36  | K3194112900   | TUBE, CORRUGATED M10-1290                | 1   |        |                   |
| A19 - 37  |               |  |     |        |                   |
| A19 - 38  |               |  |     |        |                   |
| A19 - 39  | K3612000090   | TERMINAL, BATTERY (+) 4013-39-1          | 1   |        |                   |
| A19 - 40  | K3612000100   | TERMINAL, BATTERY (-) 4013-39-2          | 1   |        |                   |
| A19 - 41  | K0000080152   | BOLT, M8-15                              | 2   |        |                   |
| A19 - 42  | K1510000110   | MAGNET, W/PLASTIC BASE                   | 1   |        |                   |
| A19 - 43  | K3662000030-1 | CAP, RUBBER FOR AUTORETURN SWITCH ET115G | 1   |        |                   |
| A19 - 44  | K3660000050-1 | KEY, MAIN SWITCH                         | 1   |        |                   |
| A19 - 45  | K3620001100   | WIRE, SEAT SWITCH                        | 1   |        |                   |
| A19 - 46  | K3650000130   | HOUR METER, 636DC                        | 1   |        |                   |
| A19 - 47  | K3661000240   | SWITCH, LOCKER (ON-ON)                   | 1   | 3WD    |                   |
| A19 - 48  | K3641000080   | LAMP, WORKING LED GREEN                  | 1   | 3WD    |                   |
| A19 - 49  | K0000050152   | BOLT, M5-15                              | 2   |        | 21952-            |
| A19 - 50  | SP05A--0604ZD | BRACKET, RELAY                           | 1   |        | 21952-            |
| A19 - 51  | K3681000090   | RELAY, ACA12135                          | 1   |        | 21952-            |
| A19 - 52  | SP05A--0603Z0 | HARNESS, STARTER RELAY                   | 1   |        | 21952-            |
| A19 - 53  | K0100060002   | NUT, M6                                  | 1   |        | 21952-            |

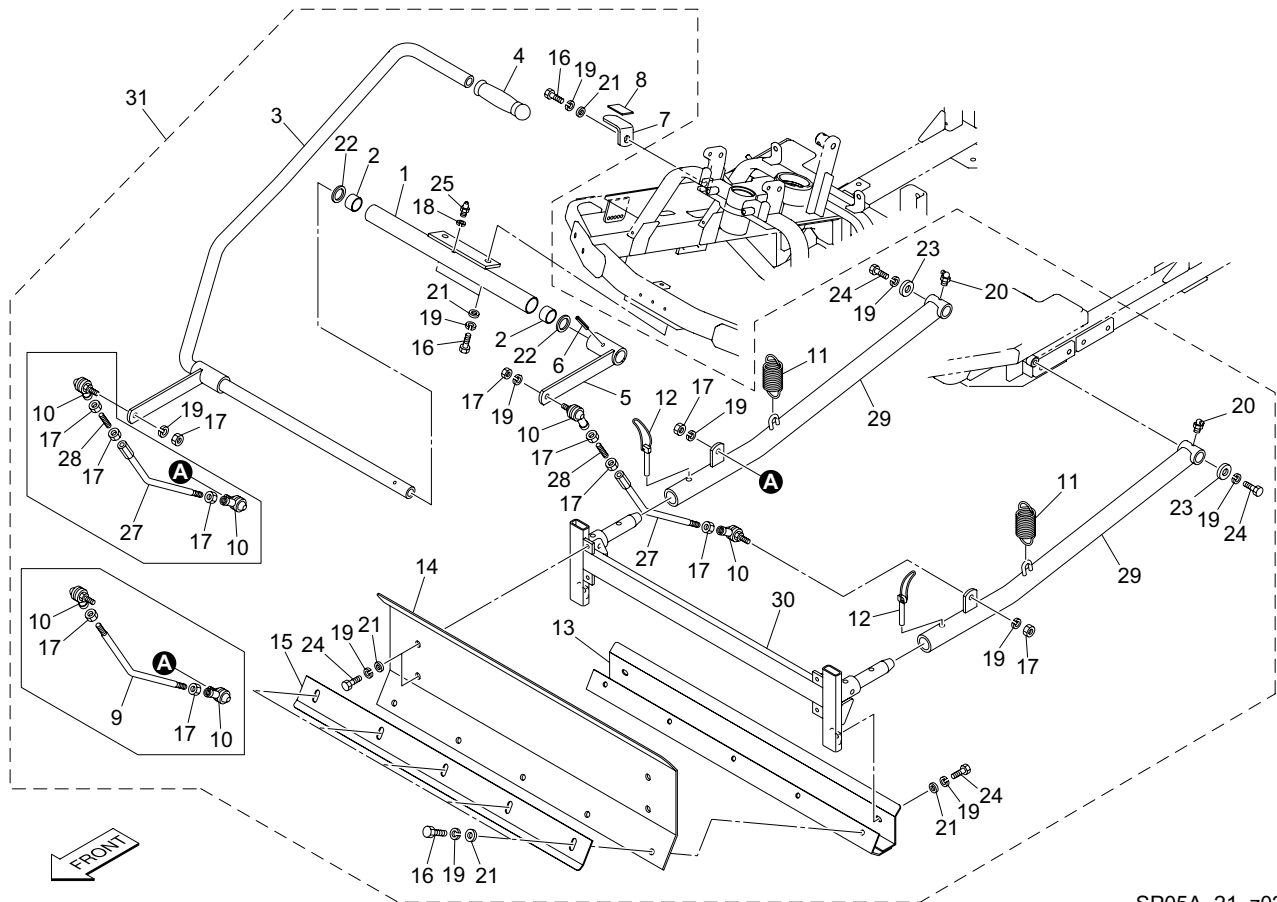


SP05A\_20\_z05

| Cat No. | Code No.        | Part name                  | Qty | Remark             | SN of application |
|---------|-----------------|----------------------------|-----|--------------------|-------------------|
| 20 - 1  | SP05---1501Z0   | RUBBER, CARGO BOX          | 1   |                    |                   |
| 20 - 2  | K4817000020     | WRENCH, PLUG 5/8-70        | 1   |                    | 21029-21236       |
| 20a - 2 | K4817000030     | WRENCH, PLUG 16-80         | 1   |                    | 21237-            |
| 20a - 3 | SP05A---UM--GBZ | O-MANUAL, SP05A GB-EN      | 1   |                    |                   |
| 20a - 4 | SP05A---PC--GBZ | P-CATALOG, SP05A GB-EN     | 1   | Available for sale |                   |
| 20a - 5 |                 |                            |     |                    |                   |
| 20 - 6  | K4821000010     | WRENCH, OIL FILTER 9.5-74  | 1   | option             |                   |
| 20 - 7  | K480200044D     | TOOL, BRAKE DRUM REMOVER A | 1   | option             |                   |
| 20 - 8  | K4802000452     | TOOL, BRAKE DRUM REMOVER B | 1   | option             |                   |
| 20 - 9  | SP05A--1501Z0   | DECAL, 2D CODE SP05A       | 1   |                    | 21237-            |
|         |                 |                            |     |                    |                   |
|         |                 |                            |     |                    |                   |
|         |                 |                            |     |                    |                   |
|         |                 |                            |     |                    |                   |

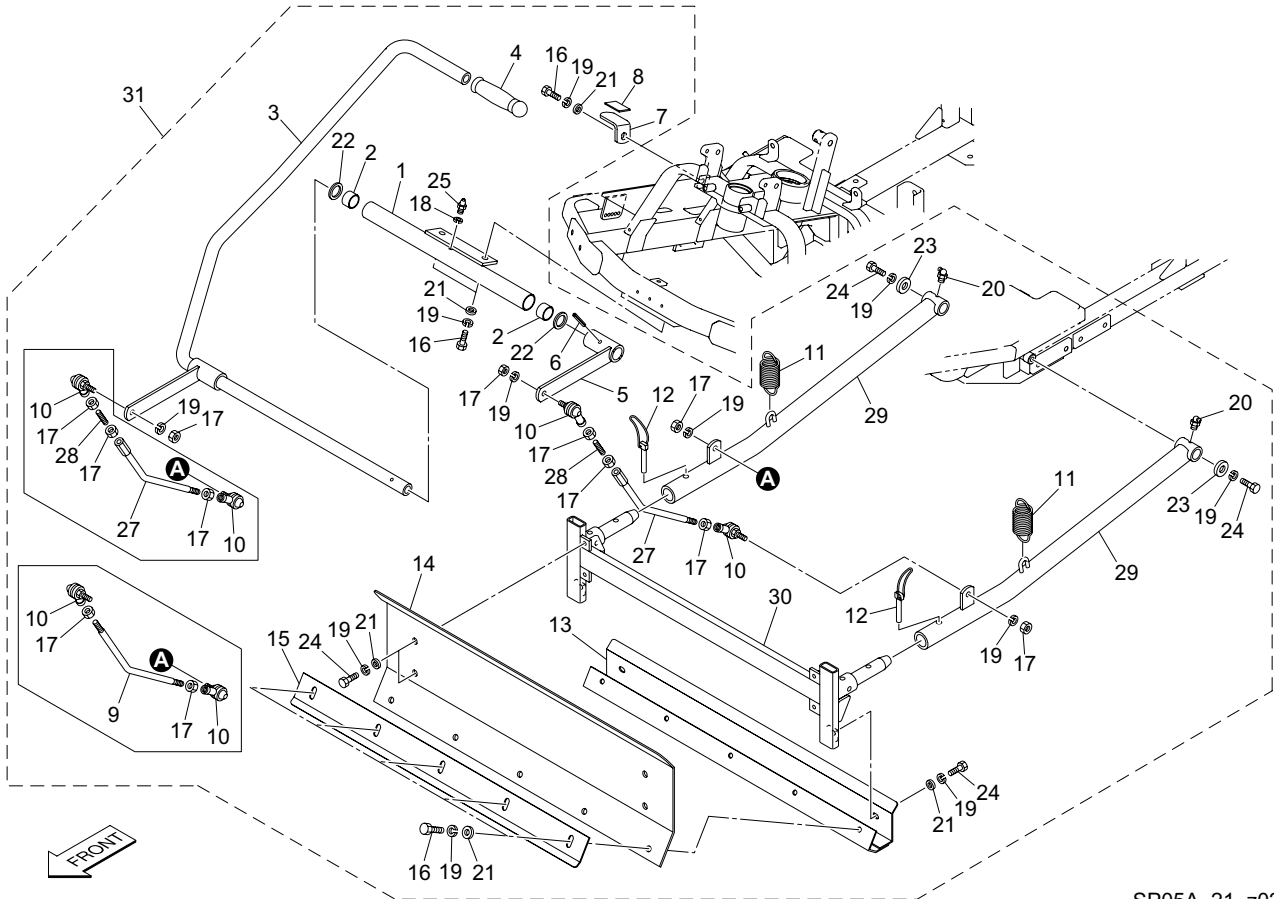
# 21. Front blade section

SP05A



SP05A\_21\_z02

| Cat No. | Code No.      | Part name                       | Qty | Remark   | SN of application |
|---------|---------------|---------------------------------|-----|----------|-------------------|
| 21 - 1  | SP05---0801AD | PIPE, DOZER BLADE LEVER FULCRUM | 1   |          |                   |
| 21 - 2  | K6000000390   | BUSH, COPPER 25.4-30.2-20       | 2   |          |                   |
| 21 - 3  | SP05---0802BD | LEVER, DOZER BLADE              | 1   |          |                   |
| 21 - 4  | K1300000020   | GRIP, PLASTIC HANDLE 25.4       | 1   |          |                   |
| 21 - 5  | SP05---0803ZD | ARM, LEVER                      | 1   |          |                   |
| 21 - 6  | K0320060361   | PIN, SPRING M6-36               | 1   |          |                   |
| 21 - 7  | SP05---0807ZD | PLATE, SUPPORTING ARM           | 1   |          |                   |
| 21 - 8  | K4033000540   | RUBBER, PLATE 3-2535            | 1   |          |                   |
| 21a- 9  | SP05---0804Z2 | SHAFT, CONNECTING               | 2   | old type |                   |
| 21 - 10 | K1604100000   | JOINT, SPHERICAL LHSA10DE146    | 4   |          |                   |
| 21 - 11 | K103000026D   | SPRING, W/U HOOK M2.9-38-95     | 2   |          |                   |
| 21 - 12 | K0450000028   | PIN, DELTA M9                   | 2   |          |                   |
| 21 - 13 | SP160E-3802ZD | PLATE, SUPPORTING DOZER BLADE   | 1   |          |                   |
| 21 - 14 | SP160E-3804ZD | PLATE, DOZER BLADE (LARGE)      | 1   |          |                   |
| 21 - 15 | SP160E-3806ZD | PLATE, DOZER BLADE (SMALL)      | 1   |          |                   |
| 21 - 16 | K0000100252   | BOLT, M10-25                    | 8   |          |                   |
| 21 - 17 | K0100100002   | NUT, M10                        | 10  | new type |                   |
| 21a- 17 | K0100100002   | NUT, M10                        | 8   | old type |                   |
| 21 - 18 | K0200060002   | WASHER, SPRING M6               | 1   |          |                   |
| 21 - 19 | K0200100002   | WASHER, SPRING M10              | 20  |          |                   |
| 21 - 20 | K1440000020   | GREASE NIPPLE, TYPE C           | 2   |          |                   |
| 21 - 21 | K5000100002   | WASHER, M10                     | 14  |          |                   |
| 21 - 22 | K5051025370   | WASHER, C5191P 1-25.4-37        | 2   |          |                   |
| 21 - 23 | K5073210352   | WASHER, SPHC 3.2-10-35          | 2   |          |                   |
| 21 - 24 | K0000100202   | BOLT, M10-20                    | 8   |          |                   |
| 21 - 25 | K1440000010   | GREASE NIPPLE, STRAIGHT TYPE A  | 1   |          |                   |
| 21 - 26 |               |                                 |     |          |                   |
| 21 - 27 | SP160EA0812Z2 | SHAFT, CONNECTING               | 2   | new type |                   |
| 21 - 28 | K0072000300   | SHAFT, SCREWED M10-80           | 2   | new type |                   |
| 21 - 29 | SP160EA0810ZD | ARM, DOZER BLADE                | 2   |          |                   |

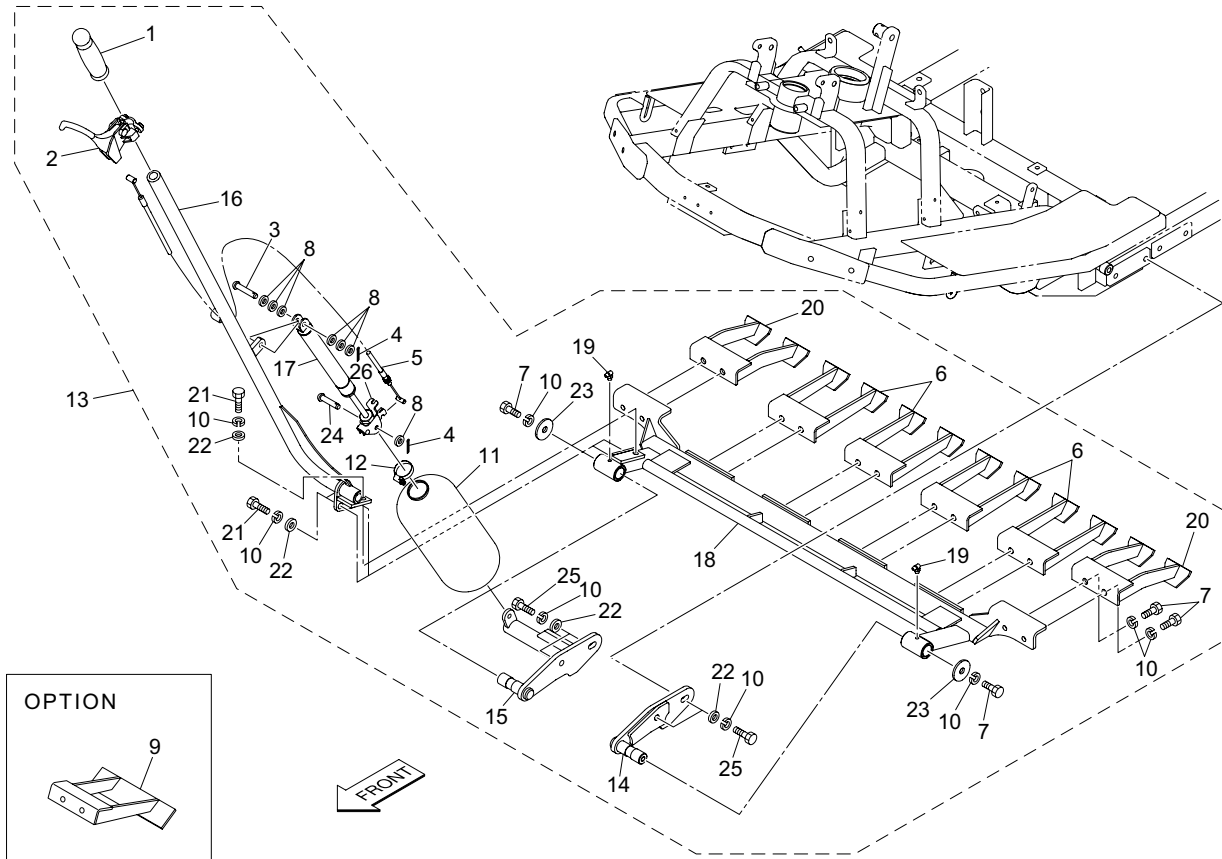


SP05A\_21\_z02

| Cat No. | Code No.      | Part name          | Qty | Remark | SN of application |
|---------|---------------|--------------------|-----|--------|-------------------|
| 21 - 30 | SP160EA0811ZD | FRAME, DOZER BLADE | 1   |        |                   |
| 21 - 31 | SP160EA0820Z0 | FRONT BLADE ASSY   | 1   | option |                   |
|         |               |                    |     |        |                   |
|         |               |                    |     |        |                   |
|         |               |                    |     |        |                   |
|         |               |                    |     |        |                   |
|         |               |                    |     |        |                   |
|         |               |                    |     |        |                   |

## 22. Sand cultivator section

SP05A

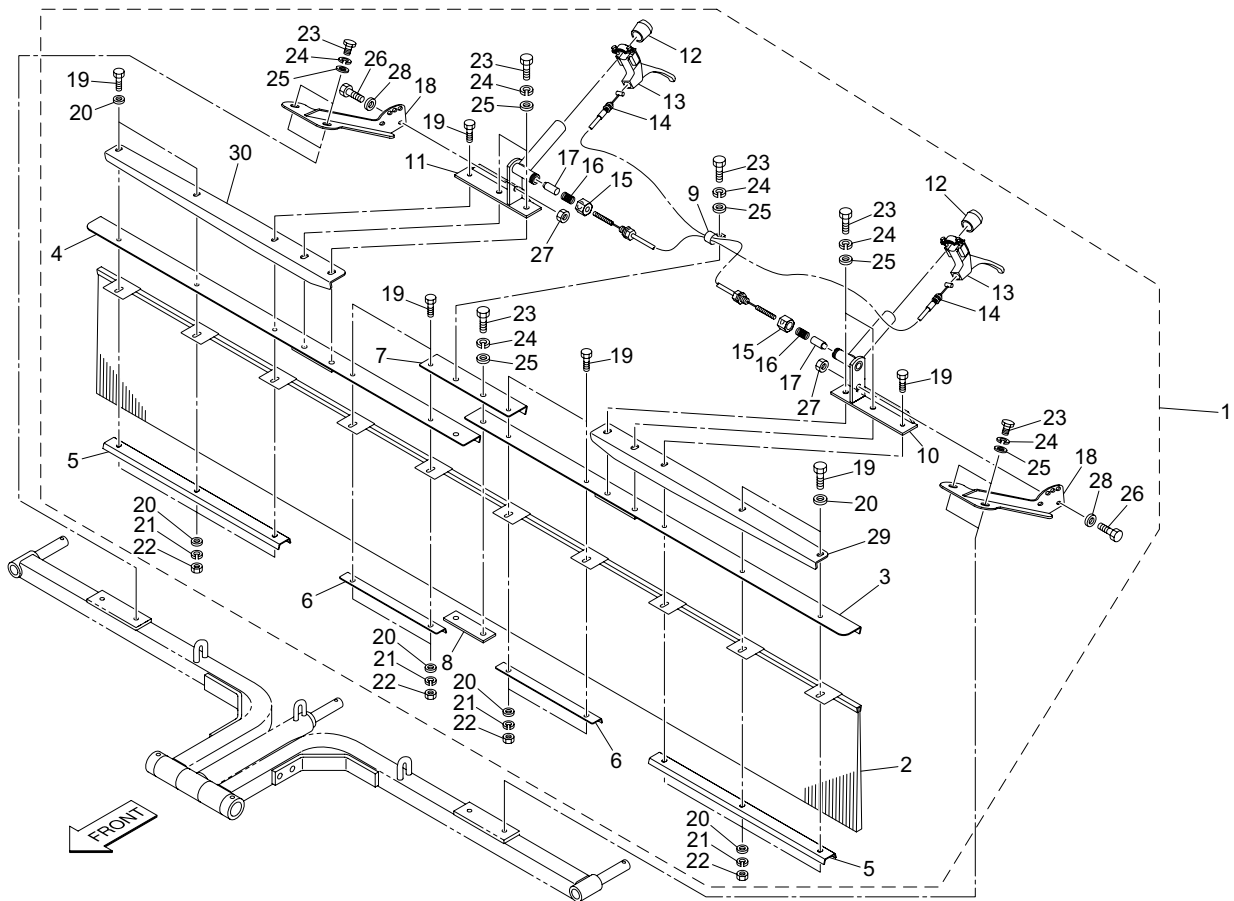


SP05A\_22\_z03

| Cat No. | Code No.      | Part name                            | Qty | Remark | SN of application |
|---------|---------------|--------------------------------------|-----|--------|-------------------|
| 22 - 1  | K1300000020   | GRIP, PLASTIC HANDLE 25.4            | 1   |        |                   |
| 22 - 2  | K1211460000   | LEVER, CLUTCH E146000                | 1   |        |                   |
| 22 - 3  | K6041080428   | PIN, ROUND HEAD HT M8-42             | 1   |        |                   |
| 22 - 4  | K0300025202   | PIN, COTTER M2.5-20                  | 2   |        |                   |
| 22 - 5  | K1160082000   | WIRE, ADJUSTING CULTIVATOR 820       | 1   |        |                   |
| 22 - 6  | SP05---0909ZD | TOOTH, TRAPEZOIDAL (CULTIVATOR)      | 4   |        |                   |
| 22 - 7  | K0000100202   | BOLT, M10-20                         | 14  |        |                   |
| 22 - 8  | K5000080002   | WASHER, M8                           | 7   |        |                   |
| 22 - 9  | SP05---0910ZD | TOOTH, FLAT (CULTIVATOR)             | 6   |        |                   |
| 22 - 10 | K0200100002   | WASHER, SPRING M10                   | 21  |        |                   |
| 22 - 11 | SP05---0912Z0 | COVER, GAS SPRING                    | 1   |        |                   |
| 22 - 12 | K4260000190   | CLAMP, HOSE JUBILEE BAND 1           | 1   |        |                   |
| 22 - 13 | SP05---0930B0 | SAND CULTIVATOR ASSY                 | 1   | option |                   |
| 22 - 14 | SP05---0931AD | FULCRUM, (LH)                        | 1   |        |                   |
| 22 - 15 | SP05---0932BD | FULCRUM, (RH)                        | 1   |        |                   |
| 22 - 16 | SP05---0933BD | LEVER, CULTIVATOR                    | 1   |        |                   |
| 22 - 17 | K3381000040   | GAS-SPRING, FLF90-25                 | 1   |        |                   |
| 22 - 18 | SP05---0934ZD | ARM, CULTIVATOR                      | 1   |        |                   |
| 22 - 19 | K1440000020   | GREASE NIPPLE, TYPE C                | 2   |        |                   |
| 22 - 20 | SP05---0935ZD | TOOTH, TRAPEZOIDAL SIDE (CULTIVATOR) | 2   |        |                   |
| 22 - 21 | K0000100252   | BOLT, M10-25                         | 3   |        |                   |
| 22 - 22 | K5000100002   | WASHER, M10                          | 7   |        |                   |
| 22 - 23 | K5073210352   | WASHER, SPHC 3.2-10-35               | 2   |        |                   |
| 22 - 24 | K6041080258   | PIN, ROUND HEAD M8-25.6              | 1   |        |                   |
| 22 - 25 | K0000100302   | BOLT, M10-30                         | 4   |        |                   |
| 22 - 26 | K3381000040-1 | L BRACKET 1152-00309                 | 1   |        |                   |

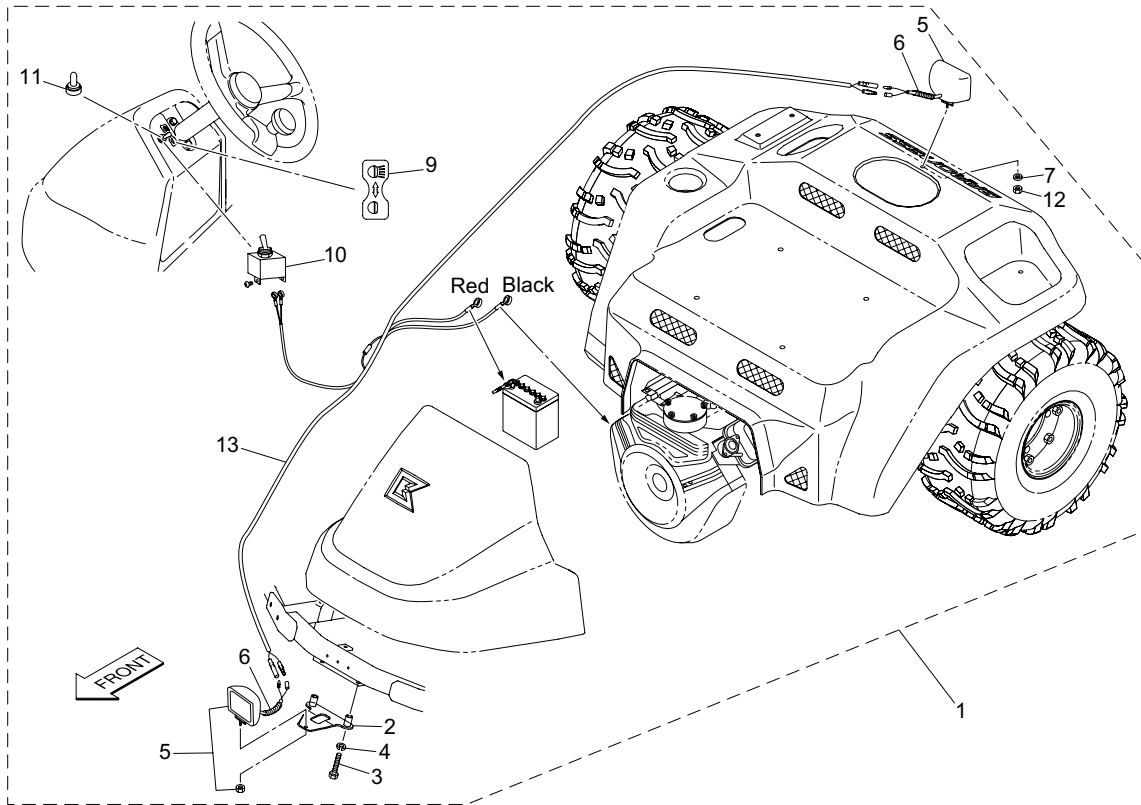
## 23. Finishing brush section

SP05A



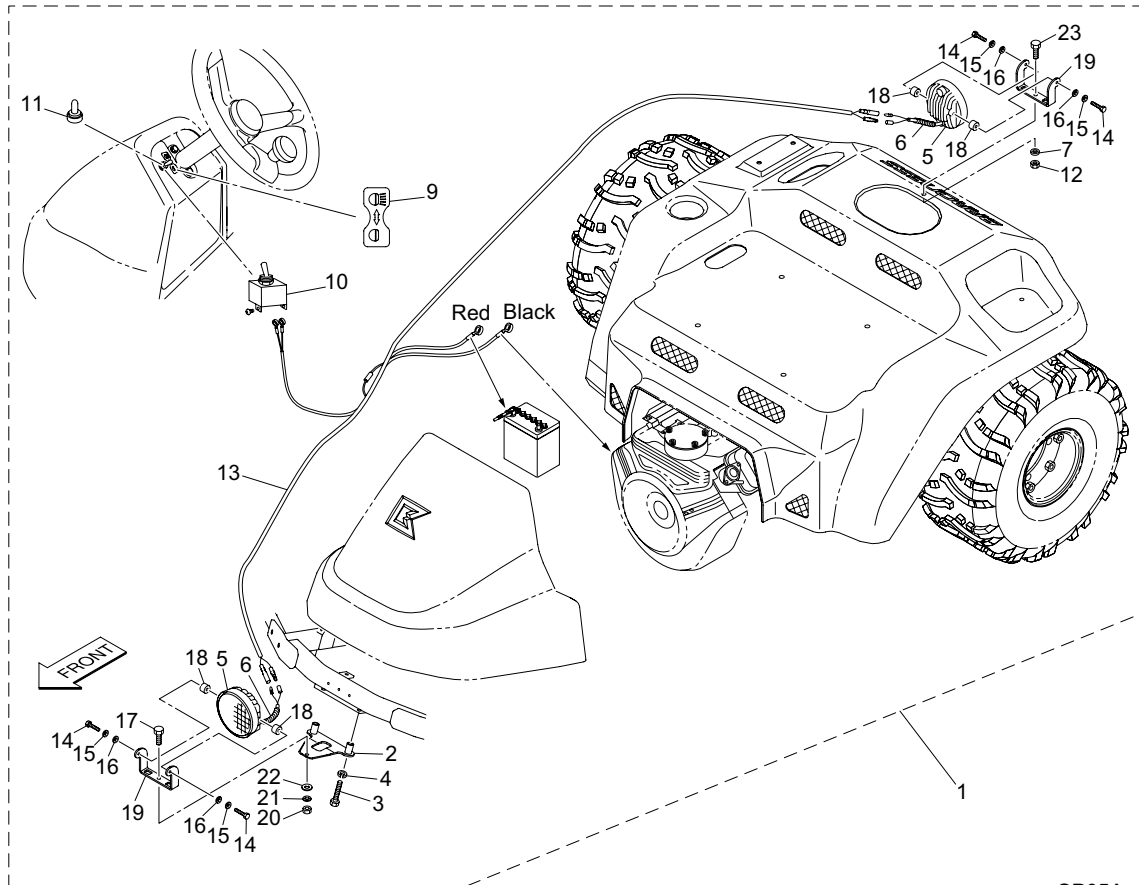
SP05A\_23\_z02

| Cat No. | Code No.      | Part name                         | Qty | Remark | SN of application |
|---------|---------------|-----------------------------------|-----|--------|-------------------|
| 23 - 1  | SP05---1601B0 | BRUSH ASSY, FINISHING MOVABLE     | 1   | option |                   |
| 23 - 2  | SP05---1002Z0 | BRUSH, FINISHING 1.0 (NY)         | 1   |        |                   |
| 23 - 3  | SP05---1005AD | FRAME, BRUSH (LH)                 | 1   |        |                   |
| 23 - 4  | SP05---1004AD | FRAME, BRUSH (RH)                 | 1   |        |                   |
| 23 - 5  | SP05---1010ZD | PLATE, RETAINING BRUSH 450        | 2   |        |                   |
| 23 - 6  | SP05---1008ZD | PLATE, RETAINING BRUSH 250        | 2   |        |                   |
| 23 - 7  | SP05---1006ZD | PLATE, CONNECTING BRUSH FRAME     | 1   |        |                   |
| 23 - 8  | K514200047D   | PLATE, 6 W/ 2-M8 2570             | 1   |        |                   |
| 23 - 9  | K4270020080   | CLIP, HARNESS 20 M8               | 1   |        |                   |
| 23 - 10 | SP05---1602AD | ARM, MOVABLE (LH)                 | 1   |        |                   |
| 23 - 11 | SP05---1603AD | ARM, MOVABLE (RH)                 | 1   |        |                   |
| 23 - 12 | K1310000160   | CAP, RUBBER 24                    | 2   |        |                   |
| 23 - 13 | K1211260150   | LEVER, CLUTCH E126015             | 2   |        |                   |
| 23 - 14 | K1160089000   | WIRE, ADJUSTING 890               | 2   |        |                   |
| 23 - 15 | K6084000032   | CAP, BODY                         | 2   |        |                   |
| 23 - 16 | K1000000668   | SPRING, COMPRESSION M1.4-11.3-40  | 2   |        |                   |
| 23 - 17 | BG90C--0710Z2 | PIN, TAIL WHEEL UP/BTM FIXING PIN | 2   |        |                   |
| 23 - 18 | SP05---1604ZD | ARM                               | 2   |        |                   |
| 23 - 19 | K0000060252   | BOLT, M6-25                       | 10  |        |                   |
| 23 - 20 | K5000060002   | WASHER, M6                        | 14  |        |                   |
| 23 - 21 | K0200060002   | WASHER, SPRING M6                 | 10  |        |                   |
| 23 - 22 | K0100060002   | NUT, M6                           | 10  |        |                   |
| 23 - 23 | K0000080252   | BOLT, M8-25                       | 10  |        |                   |
| 23 - 24 | K0200080002   | WASHER, SPRING M8                 | 10  |        |                   |
| 23 - 25 | K5000080002   | WASHER, M8                        | 10  |        |                   |
| 23 - 26 | K0000100202   | BOLT, M10-20                      | 2   |        |                   |
| 23 - 27 | K0100100002   | NUT, M10                          | 2   |        |                   |
| 23 - 28 | K5000100002   | WASHER, M10                       | 2   |        |                   |
| 23 - 29 | SP05---1011ZD | PLATE, REINFORCING (LH)           | 1   |        |                   |
| 23 - 30 | SP05---1012ZD | PLATE, REINFORCING (RH)           | 1   |        |                   |



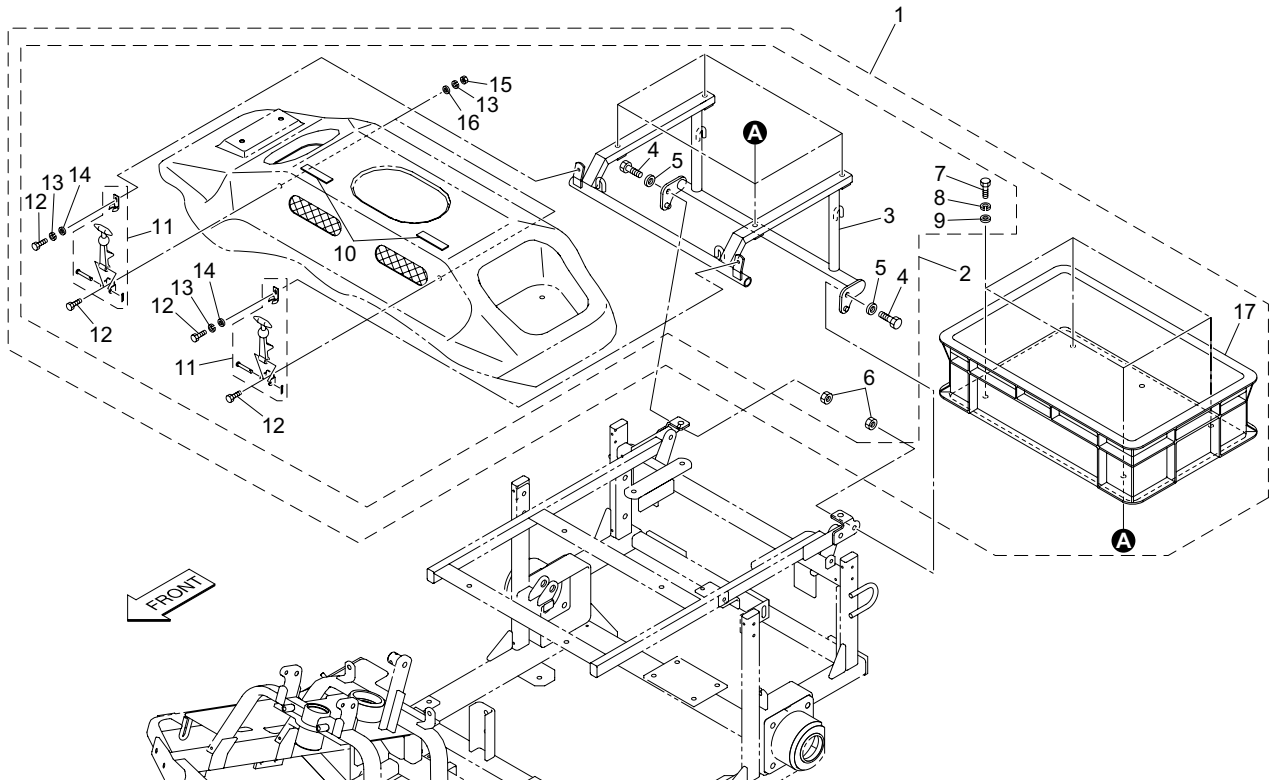
SP05A\_24\_z03

| Cat No. | Code No.      | Part name              | Qty | Remark | SN of application |
|---------|---------------|------------------------|-----|--------|-------------------|
| 24 - 1  | SP05A--1101Z0 | LAMP & BRACKET ASSY    | 1   | option | 21029-21709       |
| 24a - 1 | SP05A--1101A0 | LAMP & BRACKET ASSY    | 1   | option | 21710-21729       |
| 24 - 2  | SP05--1102ZD  | BRACKET, LAMP          | 1   |        |                   |
| 24 - 3  | K0000100552   | BOLT, M10-55           | 2   |        |                   |
| 24 - 4  | K0200100002   | WASHER, SPRING M10     | 2   |        |                   |
| 24 - 5  | K3640000070   | LAMP, WORKING WL-B220A | 2   |        | 21029-21709       |
| 24a - 5 | K3640000110   | LAMP, LED HX-WL014     | 2   |        | 21710-21729       |
| 24 - 6  | K3194001000   | TUBE, CORRUGATED 7-100 | 2   |        | 21029-21709       |
| 24a - 6 | K3194002700   | TUBE, CORRUGATED 7-270 | 2   |        | 21710-21729       |
| 24 - 7  | K5012308352   | WASHER, SPCC 2.3-8-35  | 1   |        |                   |
| 24 - 8  |               |                        |     |        |                   |
| 24 - 9  | K4203001410   | DECAL, LIGHT SWITCH    | 1   |        |                   |
| 24 - 10 | K3662000060   | SWITCH, TOGGLE ST115AT | 1   |        |                   |
| 24 - 11 | K4031000300   | RUBBER, CAP WD1911     | 1   |        |                   |
| 24 - 12 | K0144080002   | NUT, W/F-RING M8       | 1   |        |                   |
| 24 - 13 | SP05A--1102A0 | HARNESS, LIGHT         | 1   |        |                   |
|         |               |                        |     |        |                   |
|         |               |                        |     |        |                   |



SP05A\_A24\_z00

| Cat No.  | Code No.      | Part name                 | Qty | Remark | SN of application |
|----------|---------------|---------------------------|-----|--------|-------------------|
| A24b - 1 | SP05A--1104Z0 | LAMP & BRACKET ASSY       | 1   | option |                   |
| A24 - 2  | SP05---1102ZD | BRACKET, LAMP             | 1   |        |                   |
| A24 - 3  | K0000100552   | BOLT, M10-55              | 2   |        |                   |
| A24 - 4  | K0200100002   | WASHER, SPRING M10        | 2   |        |                   |
| A24b - 5 | K3640000090   | LAMP, LED WORKING NS-2556 | 2   |        |                   |
| A24b - 6 | K3194001000   | TUBE, CORRUGATED 7-100    | 2   |        |                   |
| A24 - 7  | K5012308352   | WASHER, SPCC 2.3-8-35     | 1   |        |                   |
| A24 - 8  |               |                           |     |        |                   |
| A24 - 9  | K4203001410   | DECAL, LIGHT SWITCH       | 1   |        |                   |
| A24 - 10 | K3662000060   | SWITCH, TOGGLE ST115AT    | 1   |        |                   |
| A24 - 11 | K4031000300   | RUBBER, CAP WD1911        | 1   |        |                   |
| A24 - 12 | K0144080002   | NUT, W/F-RING M8          | 1   |        |                   |
| A24 - 13 | SP05A--1102A0 | HARNESS, LIGHT            | 1   |        |                   |
| A24 - 14 | K0000050252   | BOLT, M5-25               | 4   |        |                   |
| A24 - 15 | K0200050002   | WASHER, SPRING M5         | 4   |        |                   |
| A24 - 16 | K5000050002   | WASHER, M5                | 4   |        |                   |
| A24 - 17 | K0000080202   | BOLT, M8-20               | 1   |        |                   |
| A24 - 18 | K6212004392   | COLLAR, STKM 6-12-12.5    | 4   |        |                   |
| A24 - 19 | SP05A--1103ZD | BRACKET, LED              | 2   |        |                   |
| A24 - 20 | K0100080002   | NUT, M8                   | 1   |        |                   |
| A24 - 21 | K0200080002   | WASHER, SPRING M8         | 1   |        |                   |
| A24 - 22 | K5000080002   | WASHER, M8                | 1   |        |                   |
| A24 - 23 | K0000080252   | BOLT, M8-25               | 1   |        |                   |
|          |               |                           |     |        |                   |



SP05A\_25\_z01

| Cat No. | Code No.      | Part name             | Qty | Remark | SN of application |
|---------|---------------|-----------------------|-----|--------|-------------------|
| 25 - 1  | SP05---1301Z0 | CARGO BOX KIT         | 1   | option |                   |
| 25 - 2  | SP05---1302Z0 | MOUNT ASSY, CARGO BOX | 1   |        |                   |
| 25 - 3  | SP05---1303ZR | MOUNT, CARGO BOX      | 1   |        |                   |
| 25 - 4  | K0000100252   | BOLT, M10-25          | 2   |        |                   |
| 25 - 5  | K5000100002   | WASHER, M10           | 2   |        |                   |
| 25 - 6  | K0100100002   | NUT, M10              | 2   |        |                   |
| 25 - 7  | K0000080352   | BOLT, M8-35           | 4   |        |                   |
| 25 - 8  | K0200080002   | WASHER, SPRING M8     | 4   |        |                   |
| 25 - 9  | K5012308352   | WASHER, SPCC 2.3-8-35 | 4   |        |                   |
| 25 - 10 | K4033000550   | RUBBER, PLATE 3-30120 | 2   |        |                   |
| 25 - 11 | K1520000030   | HOOK ASSY, RUBBER     | 2   |        |                   |
| 25 - 12 | K0000060202   | BOLT, M6-20           | 4   |        |                   |
| 25 - 13 | K0200060002   | WASHER, SPRING M6     | 4   |        |                   |
| 25 - 14 | K5000060002   | WASHER, M6            | 2   |        |                   |
| 25 - 15 | K0100060002   | NUT, M6               | 2   |        |                   |
| 25 - 16 | K5011606202   | WASHER, SPCC 1.6-6-20 | 2   |        |                   |
| 25 - 17 | SP05---1304Z0 | CARGO BOX             | 1   |        |                   |
|         |               |                       |     |        |                   |
|         |               |                       |     |        |                   |

# MEMO

**BARONESS**<sup>®</sup>  
Quality on Demand

 **KYOEISHA CO., LTD.**  
Head Office 1-26, Miyuki-cho, Toyokawa-city, Tel :+81-533-84-1390  
Aichi-pref, 442-8530 JAPAN Fax :+81-533-84-1220