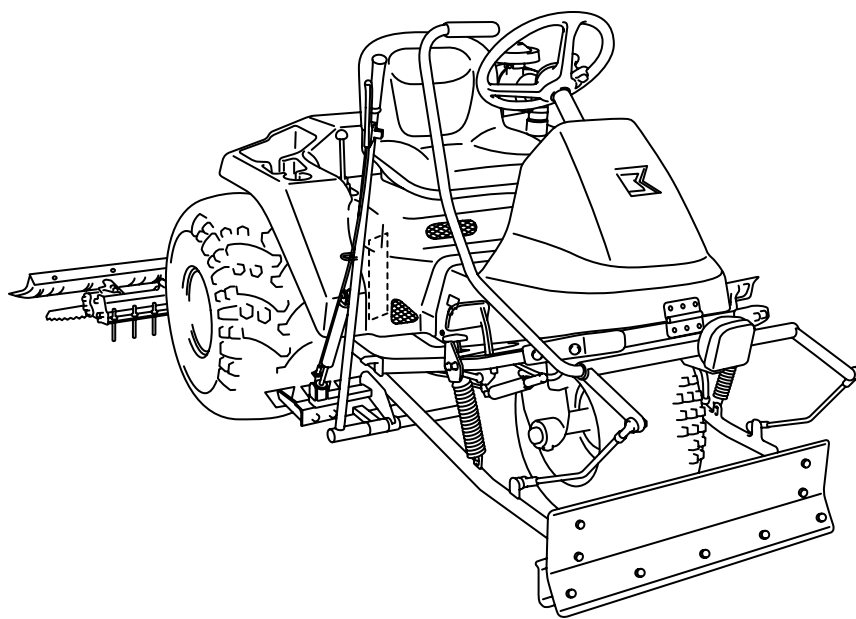


SP05A

Bunker Rake

Parts catalog



BARONESS[®]
Quality on Demand

Serial No. SP05A : 21506-

Ver.2.9

Greetings

Thank you for purchasing Baroness product.

This brochure contains the information needed for ordering BARONESS parts.

Search the number indicating the figure of your desired part in the illustration area, and find the same number from among the latter parts of the hyphenated Cat Nos. in the listing area to obtain the individual Code No.

Notes

1) For inquiries of parts

Inform us of the model and the serial number of your machine or attachment.

The model and the serial number are indicated on the serial number plate of your machine or attachment.

* Consult the Owner's Operating Manual for the position where the serial number plate is affixed.

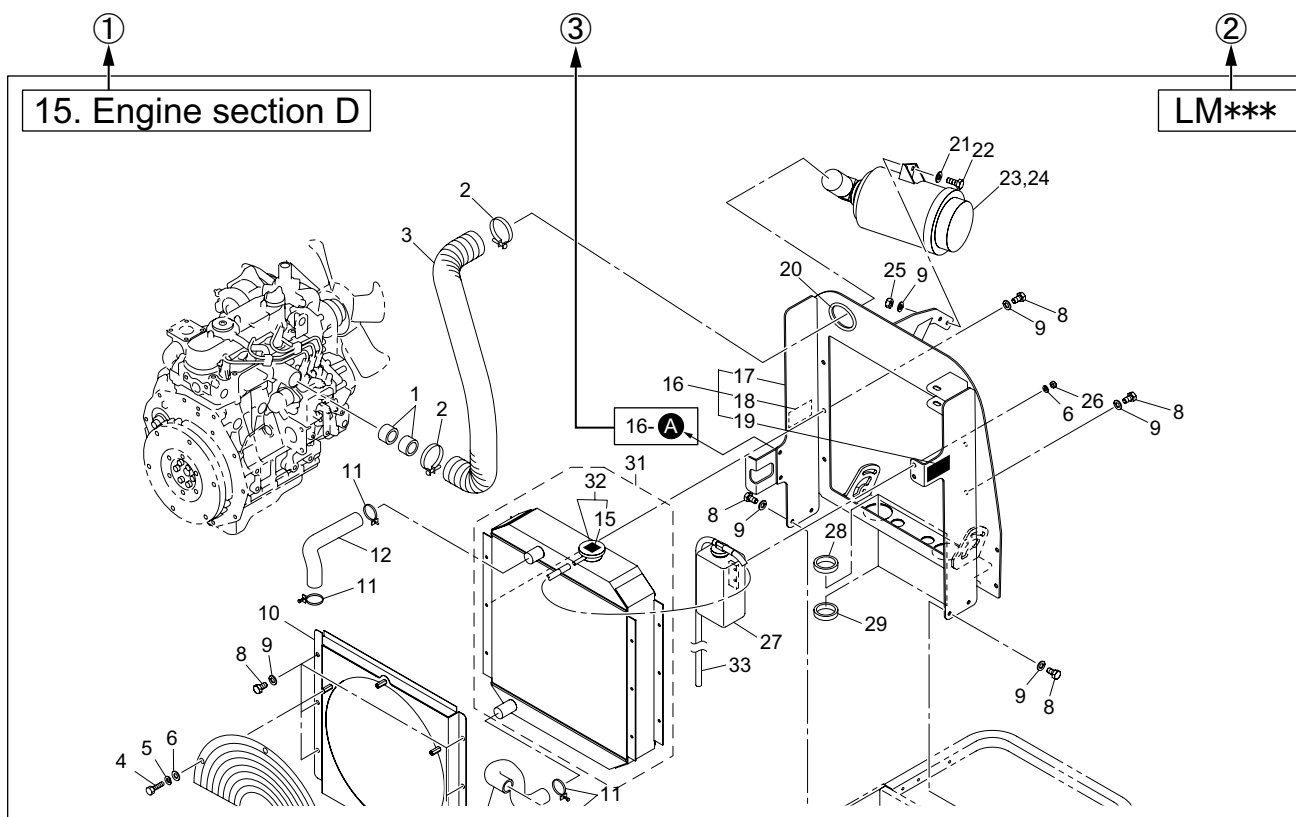
2) For ordering parts

- Inform us of the Code No., Part name and order quantity.
- We do not accept returns unless our company is responsible for the issue.
- Use genuine Baroness parts and accessories. The Baroness product warranty may not apply if parts or accessories from other companies are used.

3) The information described in this brochure is subject to change without prior notice.

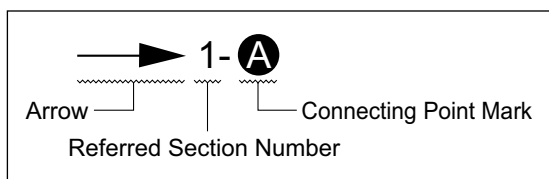
Description of the content of Parts catalog

1) Illustration area



- ① Section No. /Section name
- ② Model
- ③ Indication of the connecting point

The following indication shows the connecting point of the part shown on the other page.



- 1- **A** :
Refer to the point **A** in the illustration of the section No.1
- 2- **B** :
Refer to the point **B** in the illustration of the section No.2

Note :

The figures of assembled components or isolated parts do not always show their accurate shapes. The figures are supposed to be used for obtaining the correct code numbers.

2) Listing area

Cat No.	Code No.	Part name	Qty			Remark	SN of application
1 - 1	K0000080152	BOLT, M8-15	2	2	2		
1 - 2	K0185160002	NUT, LEFT-HANDED P1.5 M16-3	2	2	2		
1 - 3	K3650000100	HOUR METER, HH2AS	1	1	1		10001-10023
1a- 3	K3650000130	HOUR METER, 636DC	1	1	1		10024-
1 - 4	K0100060002	NUT, M6	2	2	2		
1 - 5	K0003080702	BOLT, M8-70	1	1	1		
1 - 7	K0830000020	OIL SEAL, 254210	2	2	2		

① Cat No. or Catalog No.

Find the same number as the number indicating the figure of your desired part in the illustration area from among the latter parts of the hyphenated Cat Nos. to obtain the individual Code No.

② Code No.

Identification code of an individual part

③ Part name

④ Qty

Quantity needed per Cat No.

⑤ Model

When the quantity differs by models, the models are indicated.

⑥ Remark

Specification or description, etc. of the part may be indicated.

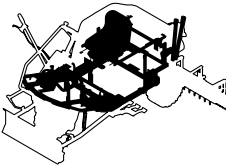
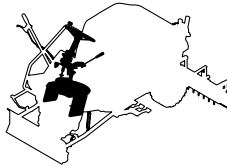
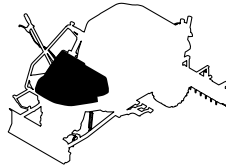
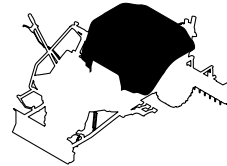
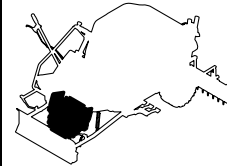
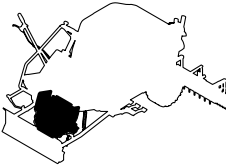
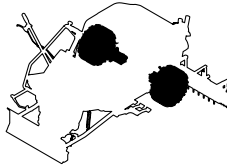
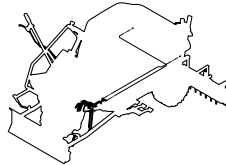

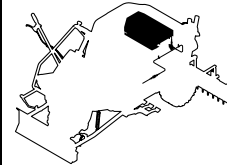
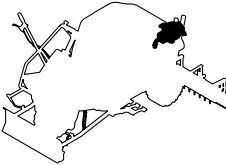
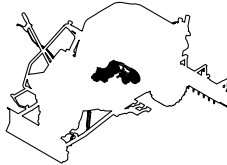
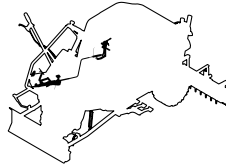

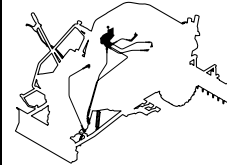
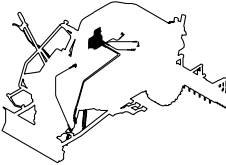
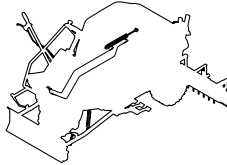
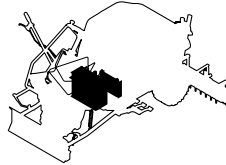
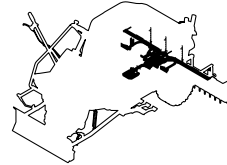
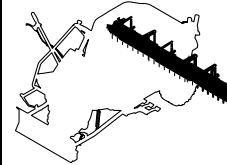
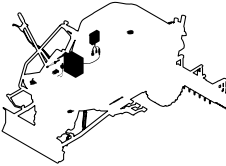
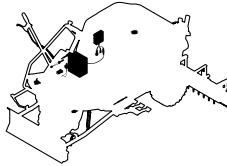

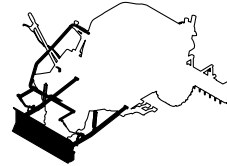
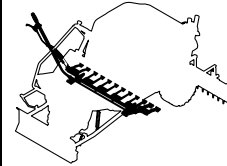
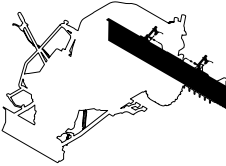
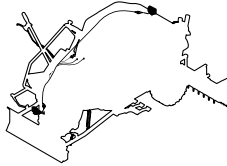
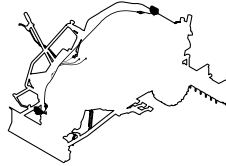
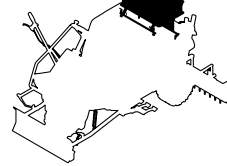
⑦ SN of application

In case of part alteration, the serial number ranges of machines to which the alteration is applied will be indicated.

3) Indication in case of part alteration

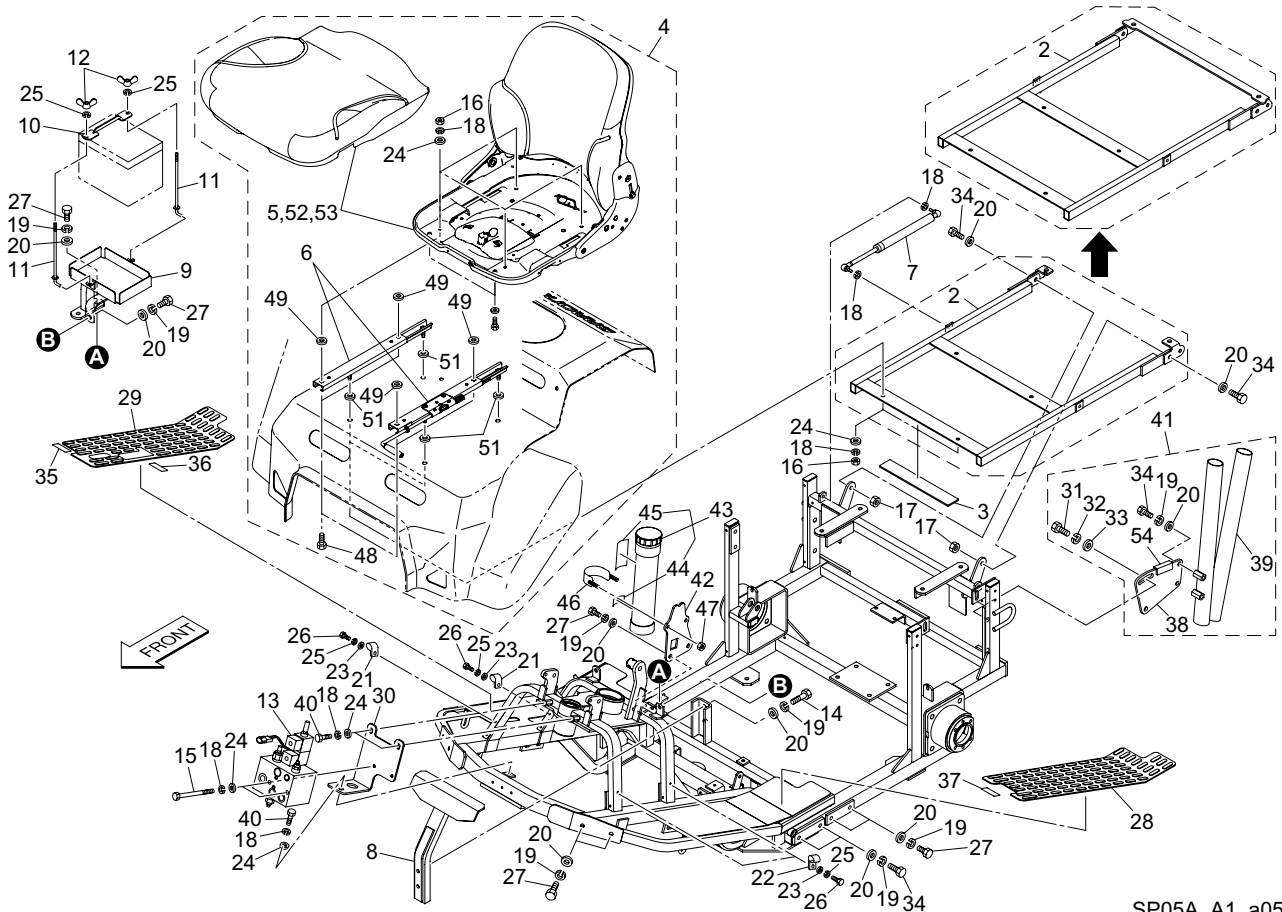
- When a new part and an old one are interchangeable with each other, indication of the old part code No. is discontinued and the new part code No. is solely indicated.
- When a new part and an old one are not interchangeable, the serial number ranges of both machines where the new part is used and those where the old one is used are indicated in the SN of application column.
- When a part is newly added, the serial number range of machines where the part is used is indicated in the SN of application column.
- When a part was previously used but the part is not used in the machine any longer, the serial number range of machines where the part was used is indicated in the SN of application column.

Contents

<p>A1. Frame section 1</p> 	<p>2. Steering section 3</p> 	<p>3. Front Cover section 5</p> 	<p>4. Rear Cover section 7</p> 	<p>A5. Front wheel section A for 2WD 9</p> 
<p>B5. Front wheel section B for 3WD 10</p> 	<p>6. Rear wheel section 12</p> 	<p>7. Brake section 14</p> 	<p>8. Engine section A (Engine) 16</p> 	<p>9. Engine section B (Fuel tank) 18</p> 
<p>10. Engine section C (Air cleaner) 20</p> 	<p>11. Traveling connection section A 21</p> 	<p>12. Traveling connection section B 23</p> 	<p>13. Hydraulic section A (Traveling related parts) 25</p> 	<p>14. Hydraulic section B (Switching valve) for 3WD SN21029-21931 27</p> 
<p>A14. Hydraulic section B (Switching valve) for 3WD SN21932- 29</p> 	<p>15. Hydraulic section C (Cylinder) 31</p> 	<p>16. Hydraulic section D 32</p> 	<p>17. Rake section A ... 34</p> 	<p>18. Rake section B ... 36</p> 
<p>19. Electrical section SN21029-21931 38</p> 	<p>A19. Electrical section SN21932- 40</p> 	<p>20. Accessories 42</p> 	<p>21. Front blade section 43</p> 	<p>22. Sand cultivator section 45</p> 
<p>23. Finishing brush section 46</p> 	<p>24. Light section SN21029-21729 48</p> 	<p>A24. Light section SN21730- 49</p> 	<p>25. Cargo box KIT section 50</p> 	

A1. Frame section

SP05A

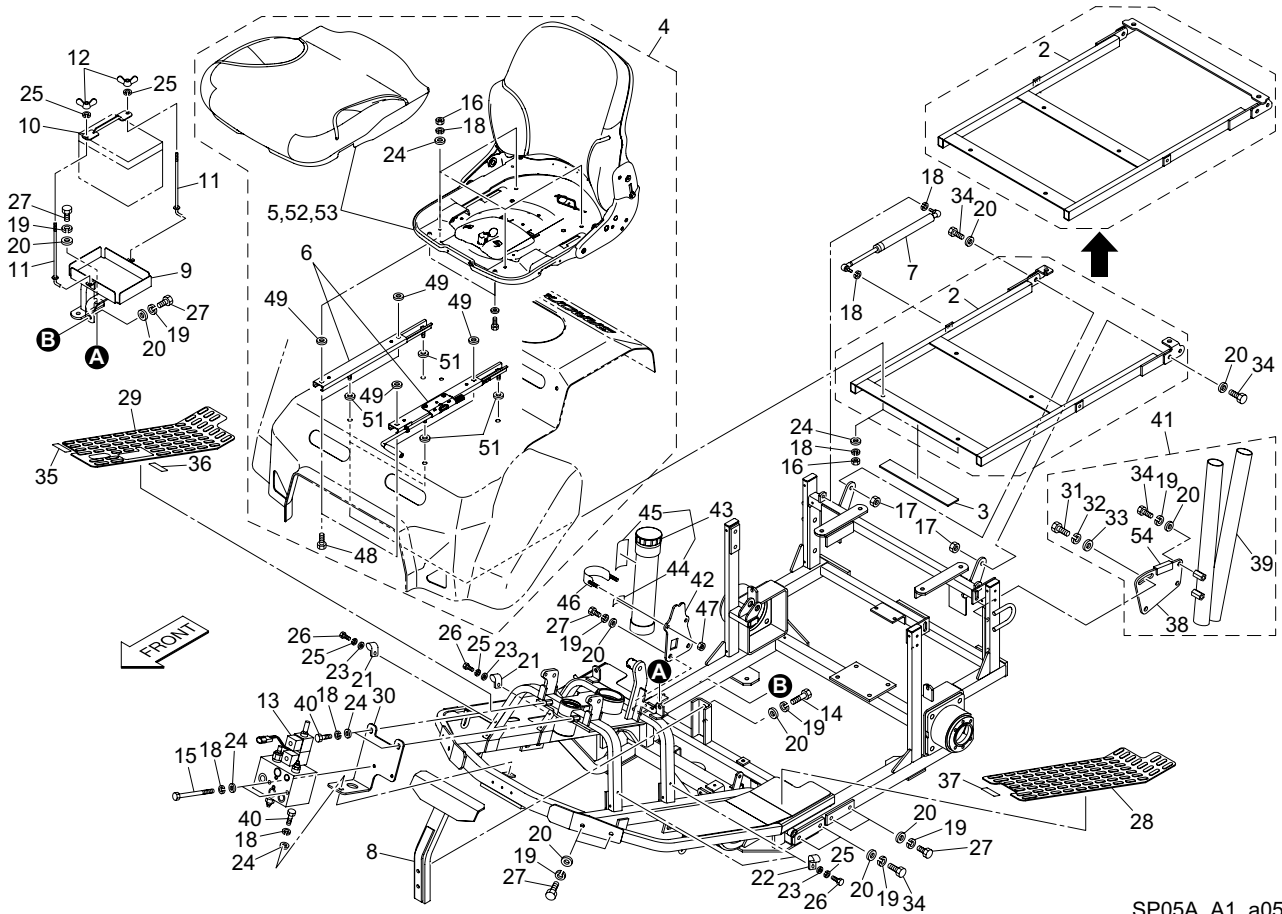


SP05A_A1_a05

Cat No.	Code No.	Part name	Qty	Remark	SN of application
A1 - 1					
A1 - 2	SP05---0102CD	BASE, SEAT	1		21029-21236
A1a - 2	SP05---0102DD	BASE, SEAT	1		21237-
A1 - 3	K4033000520	RUBBER, PLATE 4-40260	1		
A1 - 4	K1700000510	SEAT, SGA NC W/RAIL	1		20735-20990
A1a - 4	K1700000600	SEAT, SGA NC W/RAIL	1		20991-
A1 - 5	K1700000450	SEAT, SGA 18210 NC	1		20735-20990
A1a - 5	K1700000550	SEAT, SGA18210 NC	1		20991-
A1 - 6	K1701000170	SET, SGA SLIDE RAIL	1		
A1 - 7	K3381000020	GAS-SPRING, C20	1		
A1 - 8	SP05---0103ZD	HOLDER, SEAT BASE	1		
A1 - 9	SP05---0104BD	BASE, BATTERY	1		
A1 - 10	SP05---0105AD	CLAMPER, BATTERY	1		
A1 - 11	SP05---0106B2	SCREW, HOLDING BATTERY	2		
A1 - 12	K0141060002	NUT, WING M6-3	2		
A1 - 13	K3313000320	VALVE, SOLENOID MODULE	1		
A1 - 14	K0000100402	BOLT, M10-40	2		
A1 - 15	K0003081002	BOLT, M8-100	2		
A1 - 16	K0100080002	NUT, M8	8		
A1 - 17	K0100100002	NUT, M10	2		
A1 - 18	K0200080002	WASHER, SPRING M8	15		
A1a - 19	K0200100002	WASHER, SPRING M10	19		
A1a - 20	K5000100002	WASHER, M10	21		
A1 - 21	K4270030080	CLIP, HARNESS 30 M8	2		
A1 - 22	K4270050080	CLIP, HARNESS 50 M8	2		
A1 - 23	K5000060002	WASHER, M6	4		
A1 - 24	K5000080002	WASHER, M8	13		
A1 - 25	K0200060002	WASHER, SPRING M6	6		
A1 - 26	K0000060152	BOLT, M6-15	4		
A1a - 27	K0000100202	BOLT, M10-20	11		

A1. Frame section

SP05A

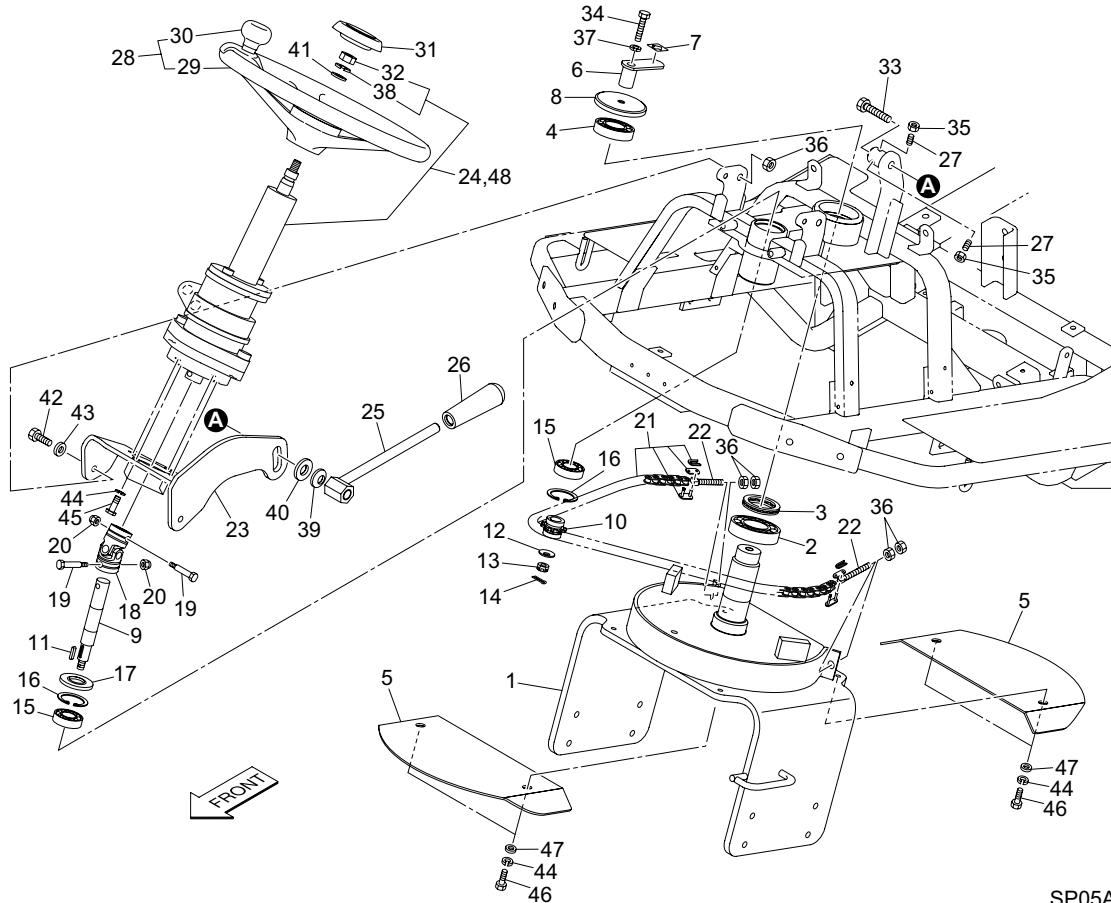


SP05A_A1_a05

Cat No.	Code No.	Part name	Qty	Remark	SN of application
A1 - 28	SP05---0121Z0	MAT, STEP (LH)	1		
A1 - 29	SP05---0120Z0	MAT, STEP (RH)	1		
A1 - 30	SP05---0114ZD	BRACKET, VALVE	1		
A1 - 31	K0000120202	BOLT, M12-20	2		
A1 - 32	K0200120002	WASHER, SPRING M12	2		
A1 - 33	K5000120002	WASHER, M12	2		
A1 - 34	K0000100302	BOLT, M10-30	8		
A1 - 35	K4203001430	DECAL, FORWARD	1		
A1 - 36	K4203001440	DECAL, BACKWARD	1		
A1 - 37	K4203001450	DECAL, BRAKE	1		
A1 - 38	SP05---0109AD	PLATE, MOUNTING BROOM STAND	1		
A1 - 39	SP05---0110ZD	STAND, BROOM	1		
A1 - 40	K0000080152	BOLT, M8-15	3		
A1 - 41	SP05---0115Z0	STAND ASSY, BROOM	1		21029-21223
A1a - 41	SP05---0115A0	STAND ASSY, BROOM	1		21224-
A1a - 42	SP05---2124ZD	BRACKET, MANUAL CASE	1		
A1a - 43	K5920000130	CASE, FOR MANUALS	1		
A1a - 44	K4209001300	DECAL, OWNERS MANUAL	1		
A1a - 45	K4205001560	DECAL, READ OWNERS MANUAL	1		21029-21372
A1a - 46	SP05---2125Z2	BAND	1		
A1a - 47	K0144080002	NUT, W/F-RING M8	2		
A1 - 48	K0000080252	BOLT, M8-25	4		
A1 - 49	K5074510262	WASHER, SPHC 4.5-10-26	4		
A1 - 50					
A1 - 51	K5012308262	WASHER, SPCC 2.3-8-26	4		
A1 - 52	K1700000450-1	SWITCH, NC	1		
A1 - 53	K1700000450-2	HARNESS, SEAT S22808	1		
A1 - 54	K3197100500	TRIM, SEAL 100-64-50	1		21224-

2. Steering section

SP05A

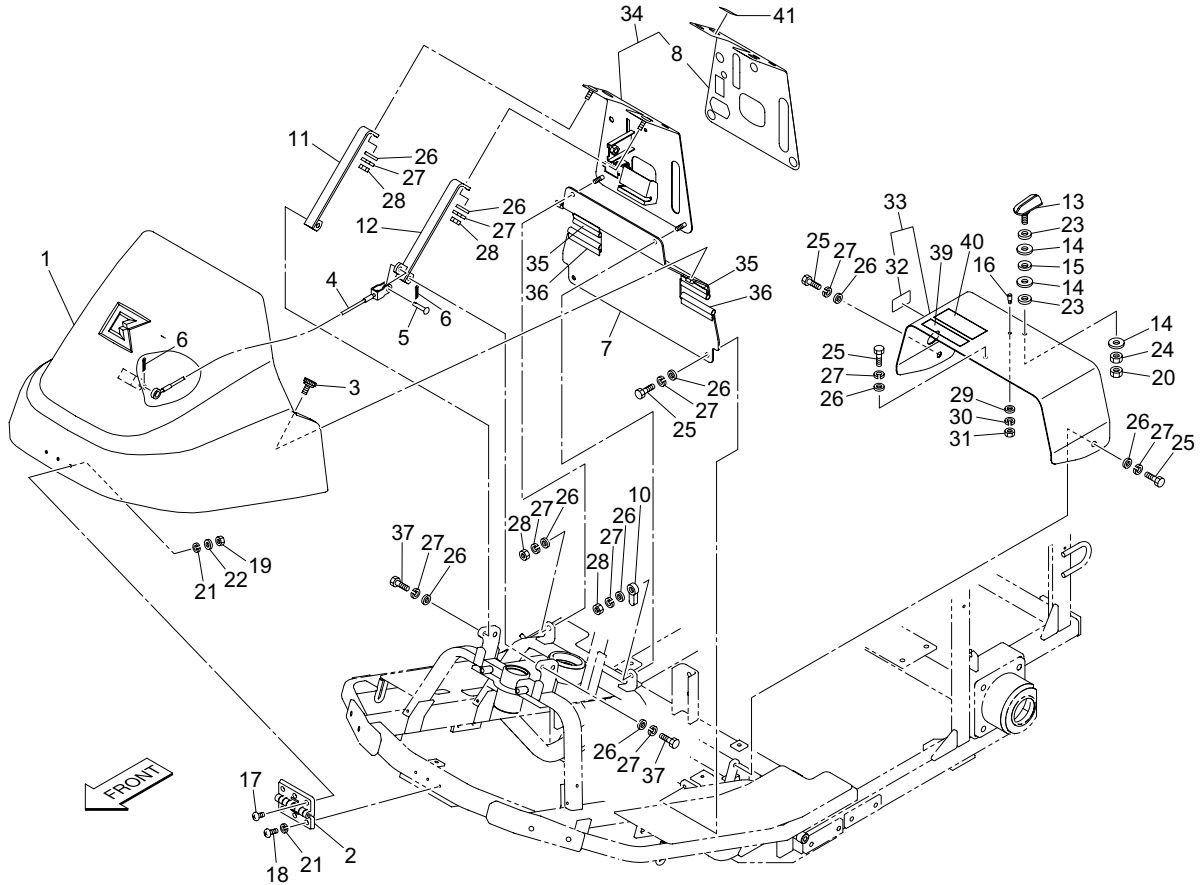


SP05A_02_z02

Cat No.	Code No.	Part name	Qty	Remark	SN of application
2 - 31	K1310000130	CAP, RUBBER	1		
2 - 32	K0108120002	NUT, P1.25 M12-3	1		
2 - 33	K0000120702	BOLT, M12-70	1		
2 - 34	K0010100502	BOLT, HT M10-50	1		
2 - 35	K0100080002	NUT, M8	2		
2 - 36	K0100100002	NUT, M10	6		
2 - 37	K0200100002	WASHER, SPRING M10	1		
2 - 38	K0200120002	WASHER, SPRING M12	1		
2 - 39	K0213120002	WASHER, DISK SPRING 1H M12	1		
2 - 40	K5073212352	WASHER, SPHC 3.2-12-35	1		
2 - 41	K5000120002	WASHER, M12	1		
2 - 42	K0000100252	BOLT, M10-25	2		
2 - 43	K5000100002	WASHER, M10	2		
2 - 44	K0200080002	WASHER, SPRING M8	8		
2 - 45	K0000080202	BOLT, M8-20	4		
2 - 46	K0000080152	BOLT, M8-15	4		
2 - 47	K5000080002	WASHER, M8	4		
2 - 48	K3294000110-2	SEAL KIT, BA0290A COMP	1		

3. Front Cover section

SP05A

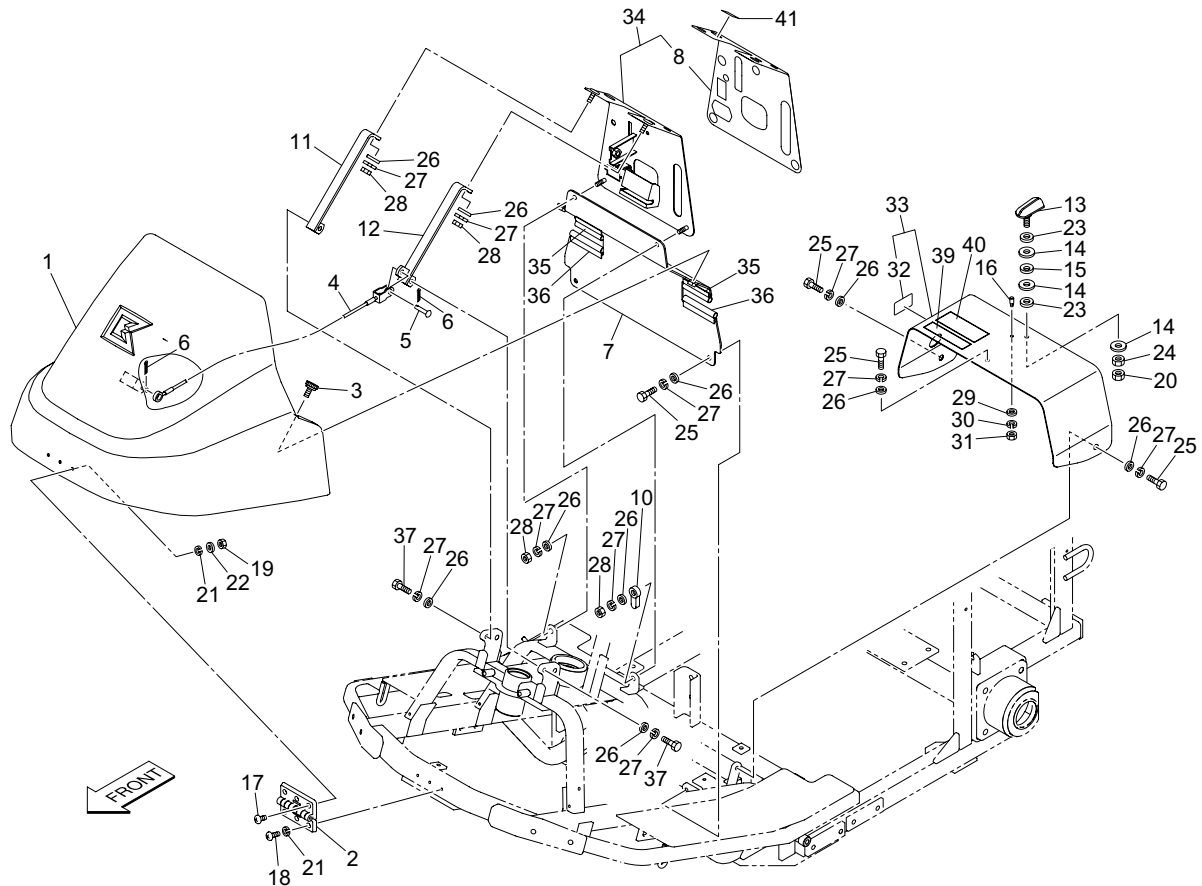


SP05A_03_a04

Cat No.	Code No.	Part name	Qty	Remark	SN of application
3 - 1	SP05---0501Z0	COVER COMP, FRONT	1		
3 - 2	K4520000260	HINGE, RESIN W/HOLE 5.2-100	1		
3 - 3	K1320000250	KNOB, DIMPLE M8-16	2		
3 - 4	K1170037000	WIRE, HOOK 370	1		
3 - 5	K6040060282	PIN, ROUND HEAD M6-28	1		
3 - 6	K0300020202	PIN, COTTER M2-20	2		
3 - 7	SP05---0521BR	COVER, FRONT TIRE	1		
3 - 8	SP05---0560C0	DECAL, OPERATION	1		21029-21931
3a - 8	SP05---0560D0	DECAL, OPERATION	1		21932-
3a - 9					
3 - 10	K4281000030	CLAMP, HARNESS 10.5 50	1		
3 - 11	SP05---0535AD	STAY, PANEL (RH)	1		
3 - 12	SP05---0536AD	STAY, PANEL (LH)	1		
3 - 13	SP05---0542ZR	CLAMPER, COVER	1		
3 - 14	K5051010220	WASHER, C5191P 1-10-22	3		
3 - 15	K0210100002	SPRING, CONICAL DISC L M10	1		
3 - 16	K0071001122	PIN, M8 W/TAPPED M6-16	1		
3 - 17	K0042050202	SCREW, + ROUND HEAD M5-20	3		
3 - 18	K0042050152	SCREW, + ROUND HEAD M5-15	3		
3 - 19	K0100050002	NUT, M5	3		
3 - 20	K0102100002	NUT, M10-3	1		
3 - 21	K0200050002	WASHER, SPRING M5	6		
3 - 22	K5000050002	WASHER, M5	3		
3 - 23	K5000100002	WASHER, M10	2		
3 - 24	K0100100002	NUT, M10	1		
3 - 25	K0000080152	BOLT, M8-15	5		
3 - 26	K5000080002	WASHER, M8	11		
3 - 27	K0200080002	WASHER, SPRING M8	11		
3 - 28	K0100080002	NUT, M8	4		
3 - 29	K5000060002	WASHER, M6	1		

3. Front Cover section

SP05A

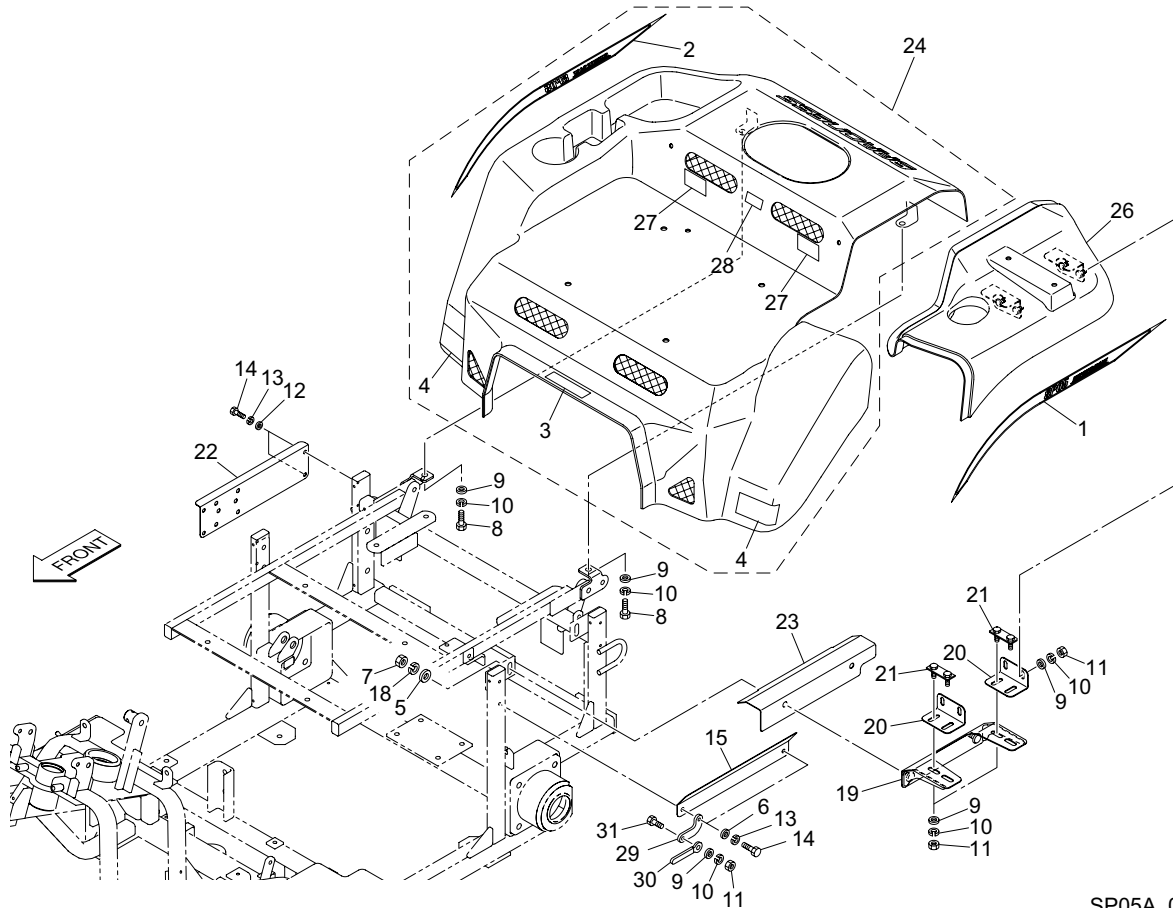


SP05A_03_a04

Cat No.	Code No.	Part name	Qty	Remark	SN of application
3 - 30	K0200060002	WASHER, SPRING M6	1		
3 - 31	K0100060002	NUT, M6	1		
3 - 32	K4209001390	DECAL, HYDRAULIC OIL	1		
3 - 33	SP05---0540B0	COVER COMP, HYDRAULIC TANK	1		
3 - 34	SP05---2530A0	PANEL COMP, OPERATION	1		21029-21931
3a - 34	SP05---2530B0	PANEL COMP, OPERATION	1		21932-
3 - 35	K3198300800	TRIM, SEAL 6100-32C-0080	2		
3 - 36	K3198300900	TRIM, SEAL 6100-32C-0090	2		
3 - 37	K0000080202	BOLT, M8-20	2		
3a - 38					
3a - 39	K4205002200	DECAL, WARNING SPARK ARRESTER	1		21029-21505
3a - 40	K4205002140	DECAL, WARNING CA P65 FOR RIDING MOWER	1		21029-21505
3 - 41	K4205002090	DECAL, CAUTION NOISE	1		

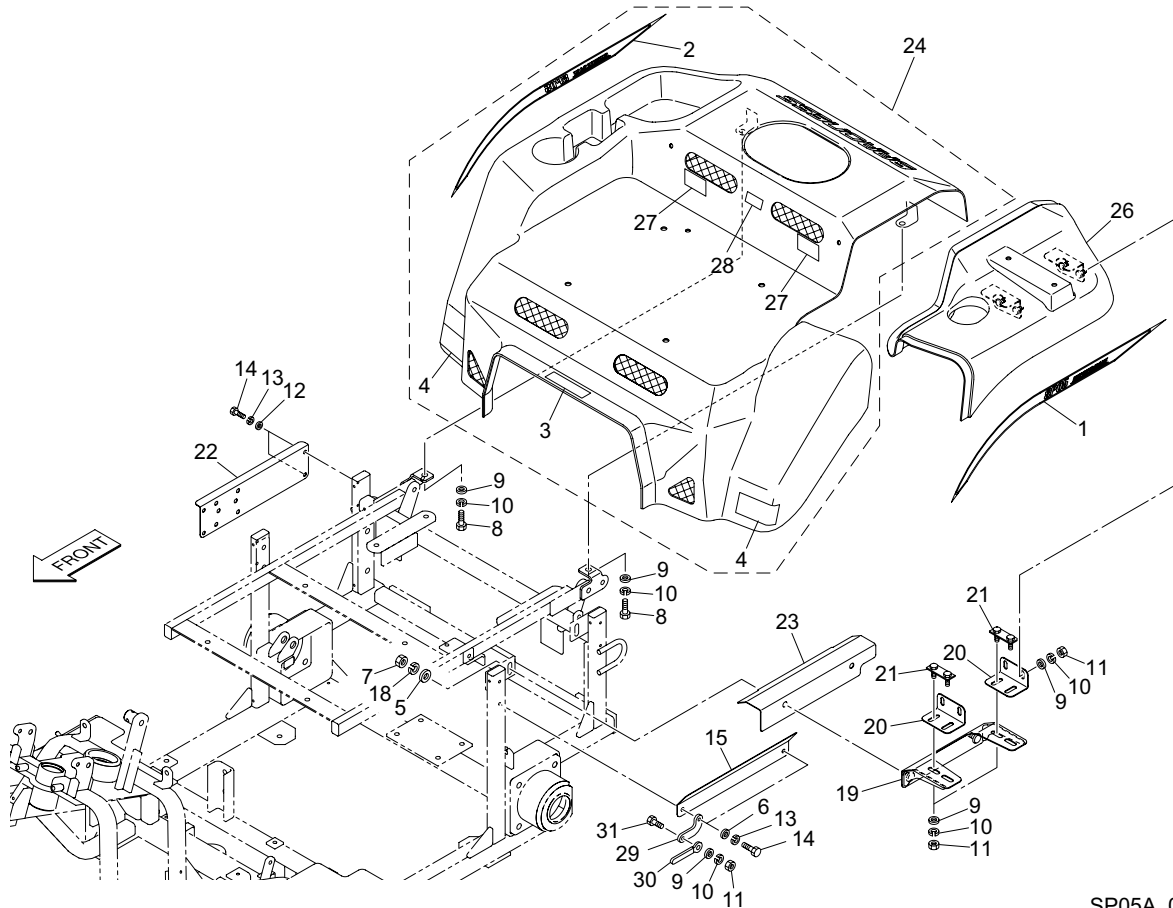
4. Rear Cover section

SP05A



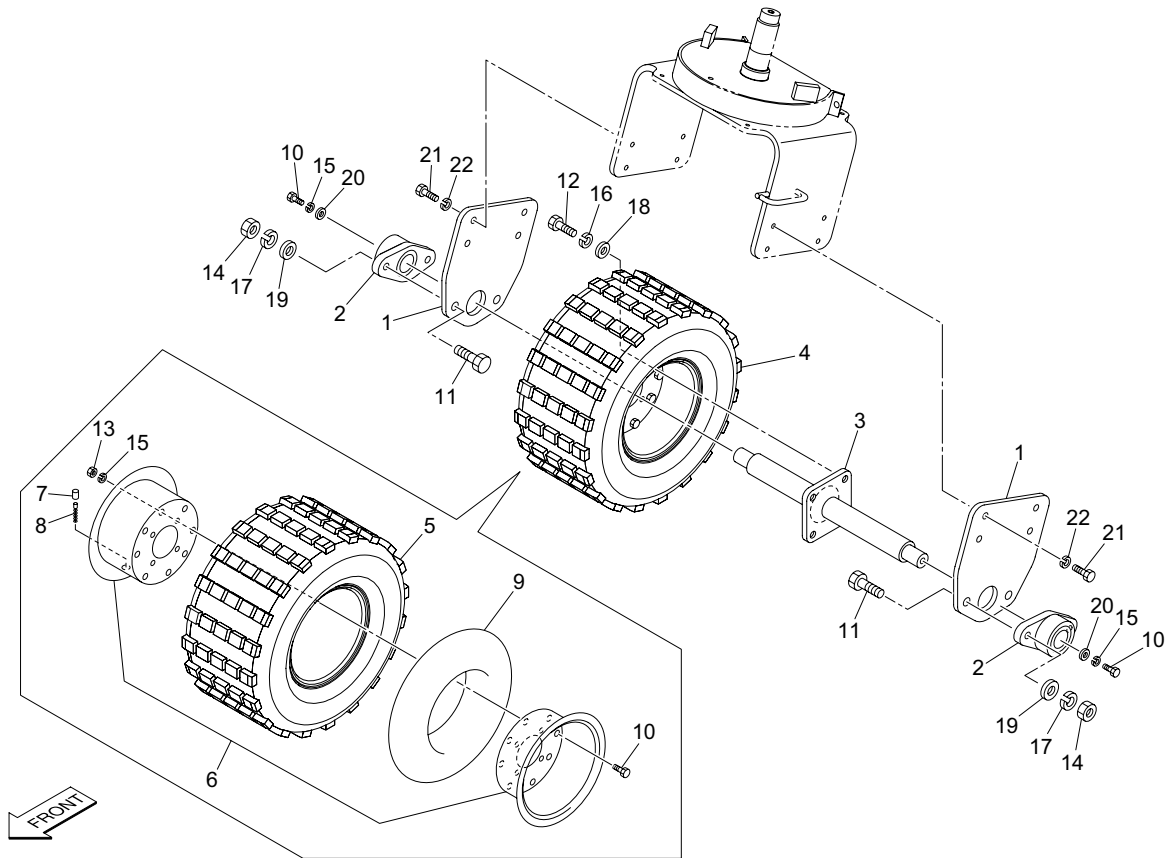
SP05A_04_z07

Cat No.	Code No.	Part name	Qty	Remark	SN of application
4 - 1	SP05A--0502Z0	DECAL, SP05A (LH)	1		
4 - 2	SP05A--0503Z0	DECAL, SP05A (RH)	1		
4 - 3	SP05---0515Z0	TAPE, ABRASION PROOF	1		
4 - 4	K4205001930	DECAL, CAUTION GETTING CAUGHT HANDS/FEET	2		
4 - 5	K5000100002	WASHER, M10	2		
4 - 6	K5011606202	WASHER, SPCC 1.6-6-20	2		
4 - 7	K0100100002	NUT, M10	2		
4 - 8	K0000080152	BOLT, M8-15	2		21029-21236
4 a- 8	K0000080202	BOLT, M8-20	2		21237-
4 - 9	K5000080002	WASHER, M8	10		21029-21485
4 a- 9	K5000080002	WASHER, M8	11		21486-
4 - 10	K0200080002	WASHER, SPRING M8	10		21029-21485
4 a- 10	K0200080002	WASHER, SPRING M8	11		21486-
4 - 11	K0100080002	NUT, M8	8		21029-21485
4 a- 11	K0100080002	NUT, M8	9		21486-
4 - 12	K5000060002	WASHER, M6	4		
4 - 13	K0200060002	WASHER, SPRING M6	6		
4 - 14	K0000060152	BOLT, M6-15	6		
4 - 15	SP05---0561ZD	PLATE, PREVENTING SAND	1		
4 - 16					
4 - 17					
4 - 18	K0200100002	WASHER, SPRING M10	2		
4 - 19	SP05---2508ZD	BRACKET, COVER	1		
4 - 20	SP05---2509ZD	ADJUSTER	2		
4 - 21	SP05---2510Z2	FITTING, ADJUSTER	2		
4 - 22	SP05---2604ZD	MOUNT, SUBSTRATE	1		
4 - 23	SP05A--0505Z0	BOARD, ADIABATIC (LH)	1		
4 - 24	SP05A--0504C0	COVER ASSY, REAR	1		21029-21372
4 a- 24	SP05A--0504D0	COVER ASSY, REAR	1		21373-21931
4 b- 24	SP05A--0506Z0	COVER ASSY, REAR	1		21932-



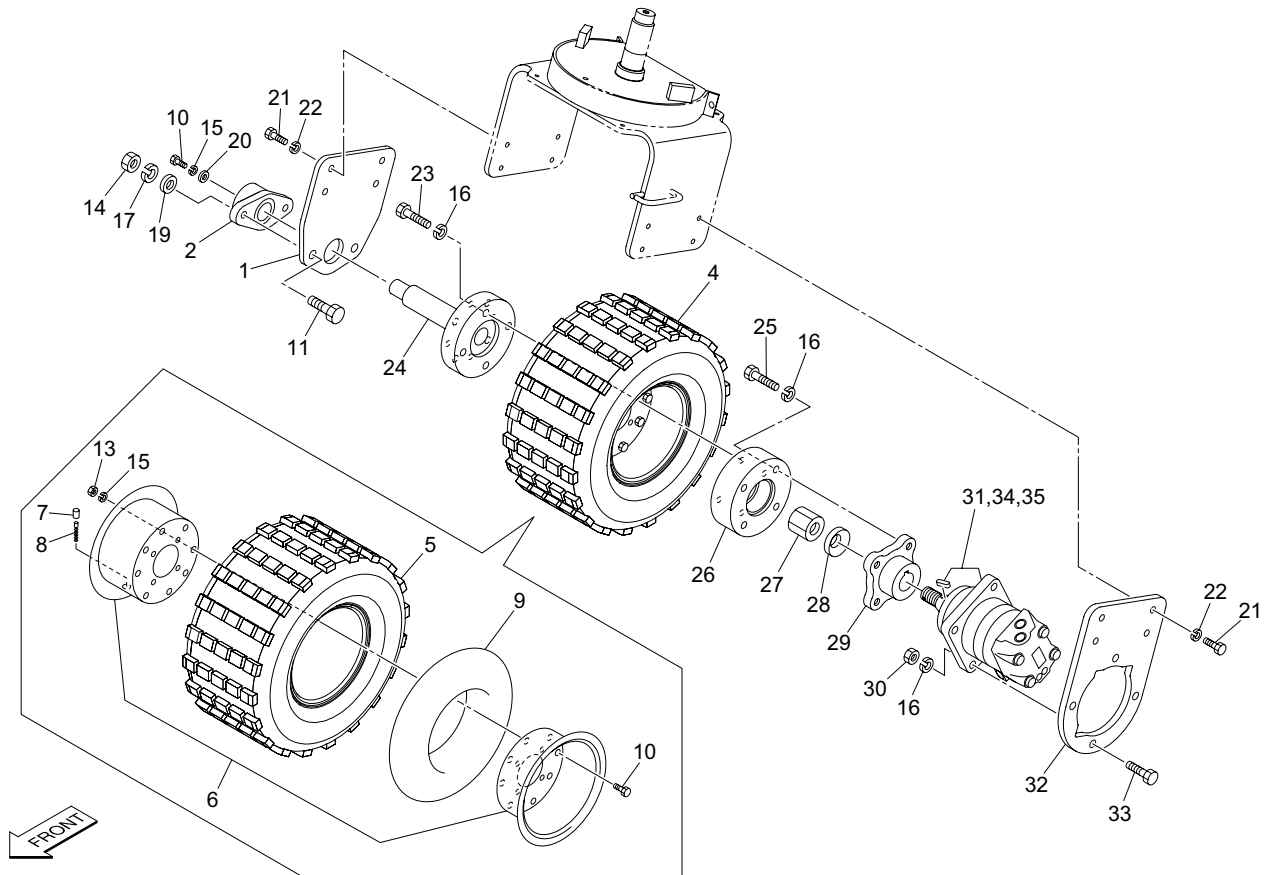
SP05A_04_z07

Cat No.	Code No.	Part name	Qty	Remark	SN of application
4 - 25					
4 - 26	SP05---2505Z0	COVER COMP, REAR SIDE	1		
4 - 27	K4033000430	RUBBER, PLATE 1-3045	2		21029-21372
4 - 28	K4033000430	RUBBER, PLATE 1-3045	1		21373-
4 - 29	SP05A--0307ZD	PLATE, MOUNTING L SHAPED	1		21486-
4 - 30	K4281000020	CLAMP, HARNESS 8.5 80	1		21486-
4 - 31	K0000080152	BOLT, M8-15	1		21486-



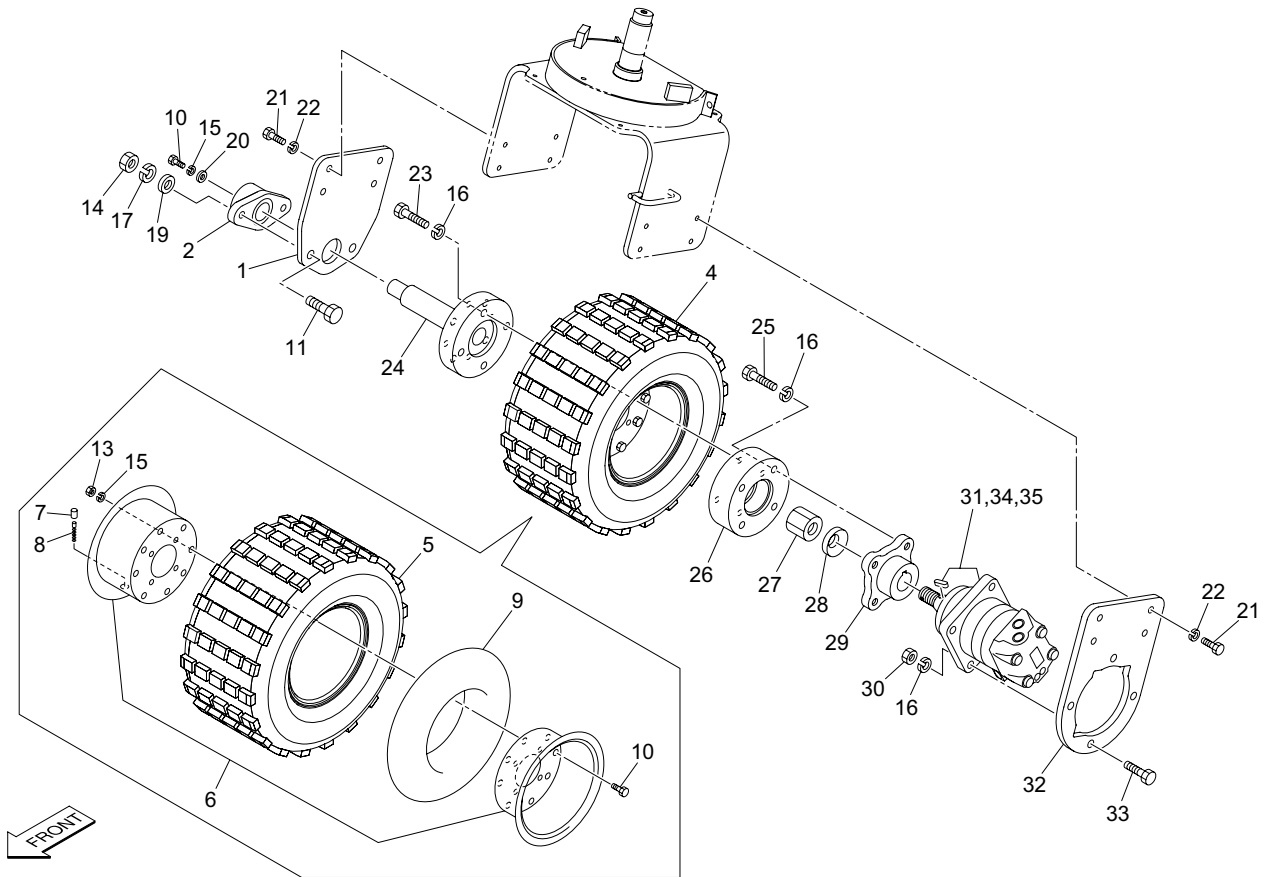
SP05A_A5_z01

Cat No.	Code No.	Part name	Qty	Remark	SN of application
A5 - 1	SP05---0210ZD	BRACKET, FRONT WHEEL	2		
A5 - 2	K0661205000	BEARING, BALL W/RHOMBIC UCFL 205	2		
A5 - 3	SP05---0211ZD	AXIS, ARM	1		
A5 - 4	K2000000360	TIRE ASSY, 21*11.00-10-4A	1		
A5 - 5	K2001000150	TIRE, 21*11.00-10PD2	1		
A5 - 6	K2081000050	WHEEL SET, 850SP-10	1		
A5 - 7	K2093000010	CAP, VALVE	1		
A5 - 8	K2092000020	CORE, VALVE NO.9000	1		
A5 - 9	K2091000200	TUBE, TIRE 21*11.00-10	1		
A5 - 10	K0000080152	BOLT, M8-15	10		
A5 - 11	K0000140402	BOLT, M14-40	4		
A5 - 12	K0011120302	BOLT, HT P1.5 M12-30	4		
A5 - 13	K0100080002	NUT, M8	8		
A5 - 14	K0100140002	NUT, M14	4		
A5 - 15	K0200080002	WASHER, SPRING M8	10		
A5 - 16	K0200120002	WASHER, SPRING M12	4		
A5 - 17	K0200140002	WASHER, SPRING M14	4		
A5 - 18	K5000120002	WASHER, M12	4		
A5 - 19	K5000140002	WASHER, M14	4		
A5 - 20	K5073208352	WASHER, SPHC 3.2-8-35	2		
A5 - 21	K0000100202	BOLT, M10-20	8		
A5 - 22	K0200100002	WASHER, SPRING M10	8		



SP05A_B5_z01

Cat No.	Code No.	Part name	Qty	Remark	SN of application
B5 - 1	SP05---0210ZD	BRACKET, FRONT WHEEL	1		
B5 - 2	K0661205000	BEARING, BALL W/RHOMBIC UCFL 205	1		
B5 - 3					
B5 - 4	K2000000360	TIRE ASSY, 21*11.00-10-4A	1		
B5 - 5	K2001000150	TIRE, 21*11.00-10PD2	1		
B5 - 6	K2081000050	WHEEL SET, 850SP-10	1		
B5 - 7	K2093000010	CAP, VALVE	1		
B5 - 8	K2092000020	CORE, VALVE NO.9000	1		
B5 - 9	K2091000200	TUBE, TIRE 21*11.00-10	1		
B5 - 10	K0000080152	BOLT, M8-15	9		
B5 - 11	K0000140402	BOLT, M14-40	2		
B5 - 12					
B5 - 13	K0100080002	NUT, M8	8		
B5 - 14	K0100140002	NUT, M14	2		
B5 - 15	K0200080002	WASHER, SPRING M8	9		
B5 - 16	K0200120002	WASHER, SPRING M12	12		
B5 - 17	K0200140002	WASHER, SPRING M14	2		
B5 - 18					
B5 - 19	K5000140002	WASHER, M14	2		
B5 - 20	K5073208352	WASHER, SPHC 3.2-8-35	1		
B5 - 21	K0000100202	BOLT, M10-20	8		
B5 - 22	K0200100002	WASHER, SPRING M10	8		
B5 - 23	K0014120602	BOLT, HT P1.5 M12-60	4		
B5 - 24	SP05---0251ZD	SPINDLE, FRONT WHEEL	1		
B5 - 25	K0014120502	BOLT, HT P1.5 M12-50	4		
B5 - 26	SP05---0252ZD	MOUNT, MOTOR	1		
B5 - 27	K0160000492	NUT, SPECIAL P1.5 M24	1		
B5 - 28	K0214240001	WASHER, DISK SPRING 2L M24	1		
B5 - 29	K216000009D	MOUNT, WHEEL 21*11.00	1		
B5 - 30	K0100120002	NUT, M12	4		

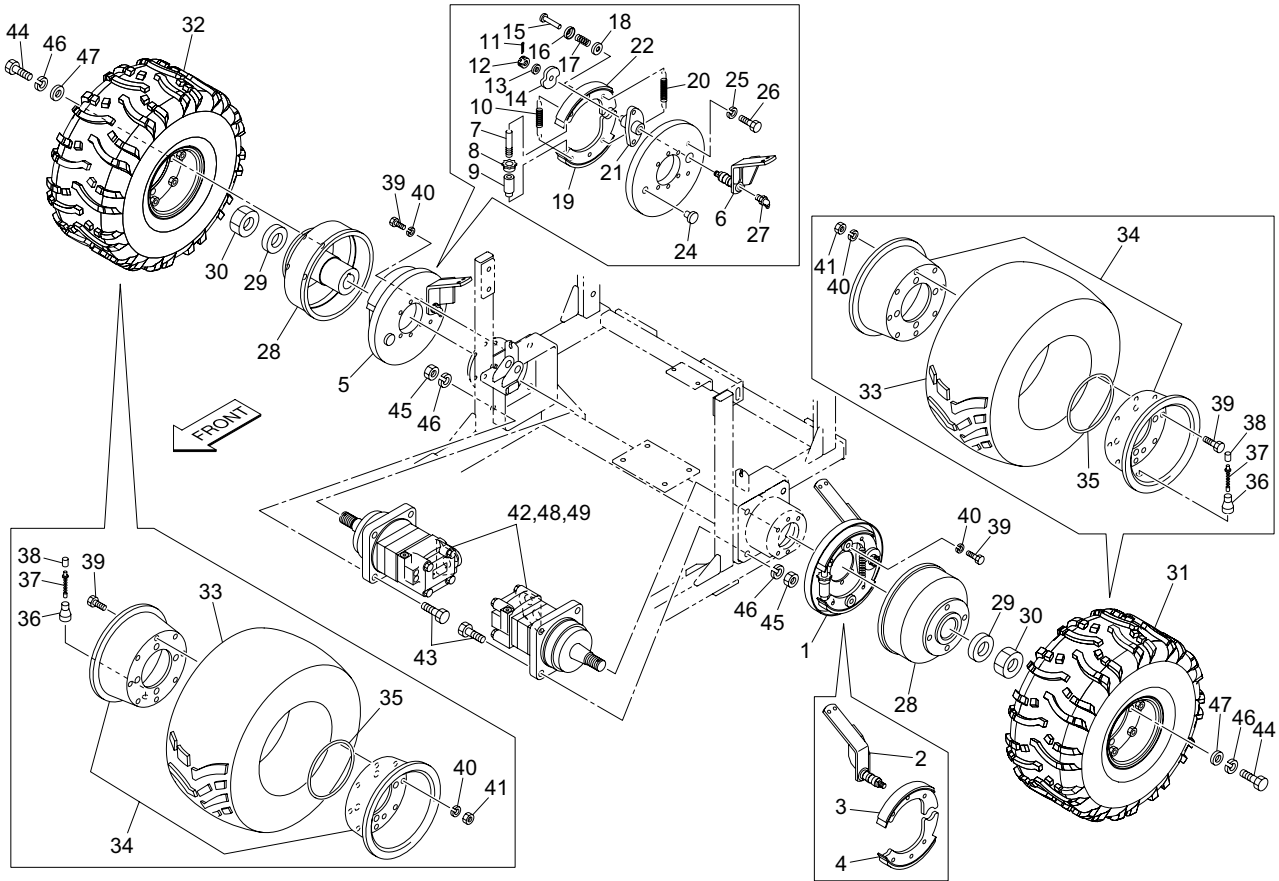


SP05A_B5_z01

Cat No.	Code No.	Part name	Qty	Remark	SN of application
B5 - 31	K3291000210	MOTOR, WHEEL 2-100BS4S	1		
B5 - 32	SP05--0250ZD	BRACKET, MOTOR	1		
B5 - 33	K0000120452	BOLT, M12-45	4		
B5 - 34	Y61090S	SEAL KIT, ORBIT MOTOR 2000 (REAR)	1		
B5 - 35	Y61091S	SEAL KIT, ORBIT MOTOR 2000 (SHAFT)	1		

6. Rear wheel section

SP05A

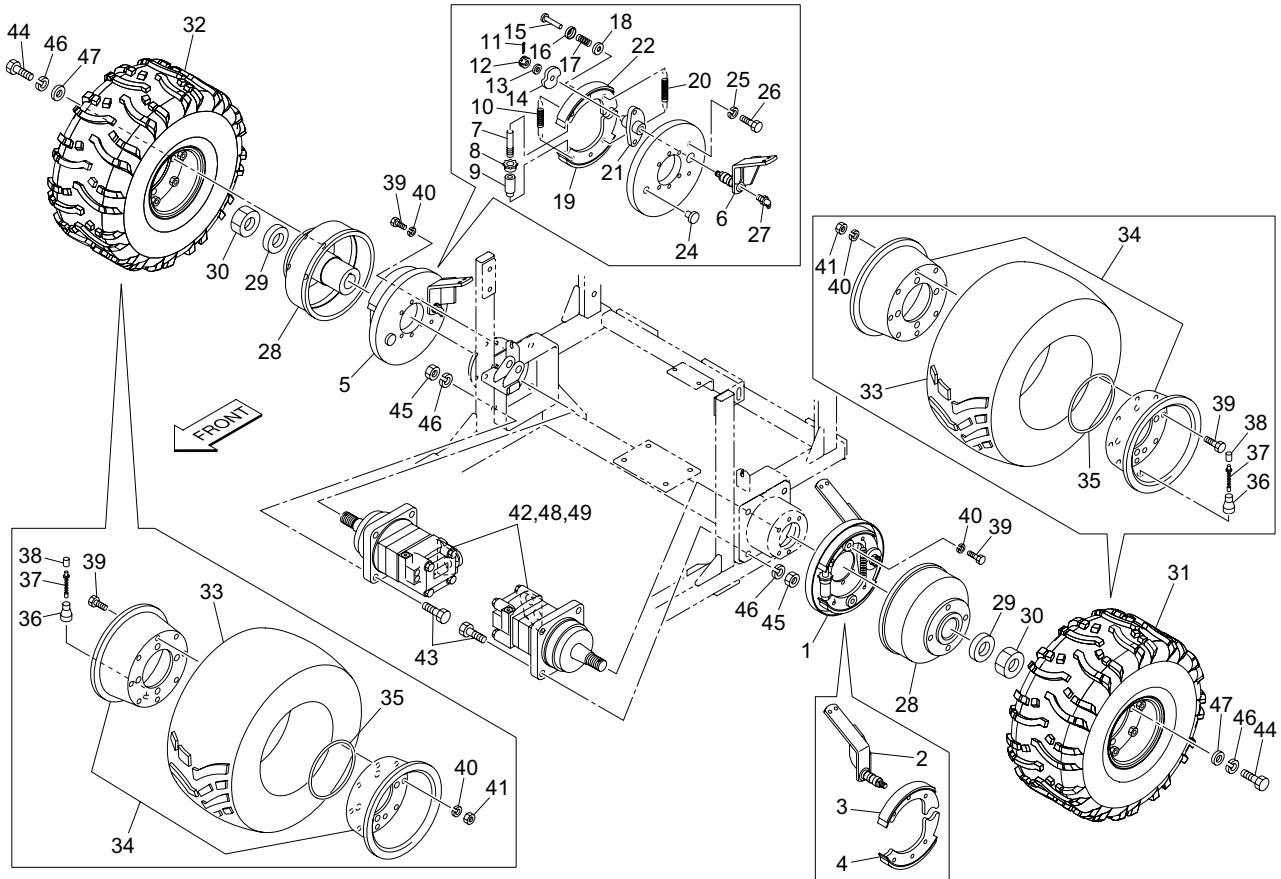


SP05A_06_z04

Cat No.	Code No.	Part name	Qty	Remark	SN of application
6 - 1	SP05---0223Z0	BRAKE ASSY, W/LEVER (LH)	1		
6 - 2	SP05---0224B2	LEVER, BRAKE (LH)	1		
6 - 3	P741-8006-01	SHOE, BRAKE	1		
6 - 4	P741-8008-00	SHOE, BRAKE	1		
6 - 5	SP05---0225Z0	BRAKE ASSY, W/LEVER (RH)	1		
6 - 6	SP05---0226B2	LEVER, BRAKE (RH)	1		
6 - 7	P722-7341-00	BOLT, ADJUSTING	2		
6 - 8	P722-7342-00	GEAR, ADJUSTING	2		
6 - 9	P723-7329-00	SLEEVE	2		
6 - 10	P153-8002-00	SPRING	2		
6 - 11	K0300025322	PIN, COTTER M2.5-32	2		
6 - 12	P535-1008-00	NUT, CASTLE	2		
6 - 13	P801-7308-00	WASHER	2		
6 - 14	P731-7335-00	CAM	2		
6 - 15	P713-7044-00	PIN, GUIDE	4		
6 - 16	P801-7012-00	SEAT, SPRING A	4		
6 - 17	P154-7033-00	SPRING	4		
6 - 18	P801-7023-00	SEAT, SPRING B	4		
6 - 19	P741-8005-00	SHOE, BRAKE	1		
6 - 20	P153-8004-00	SPRING	2		
6 - 21	P712-8003-00	BRACKET	2		
6 - 22	P741-8007-01	SHOE, BRAKE	1		
6 - 23					
6 - 24	P319-7122-00	PLUG	2		
6 - 25	P573-1025-20	WASHER, SPRING	4		
6 - 26	P501-1016-10	BOLT	4		
6 - 27	P631-0675-00	GREASE NIPPLE	2		
6 - 28	K6909000252	MOUNT, WHEEL	2		
6 - 29	K0214240001	WASHER, DISK SPRING 2L M24	2		
6 - 30	K0160000492	NUT, SPECIAL P1.5 M24	2		

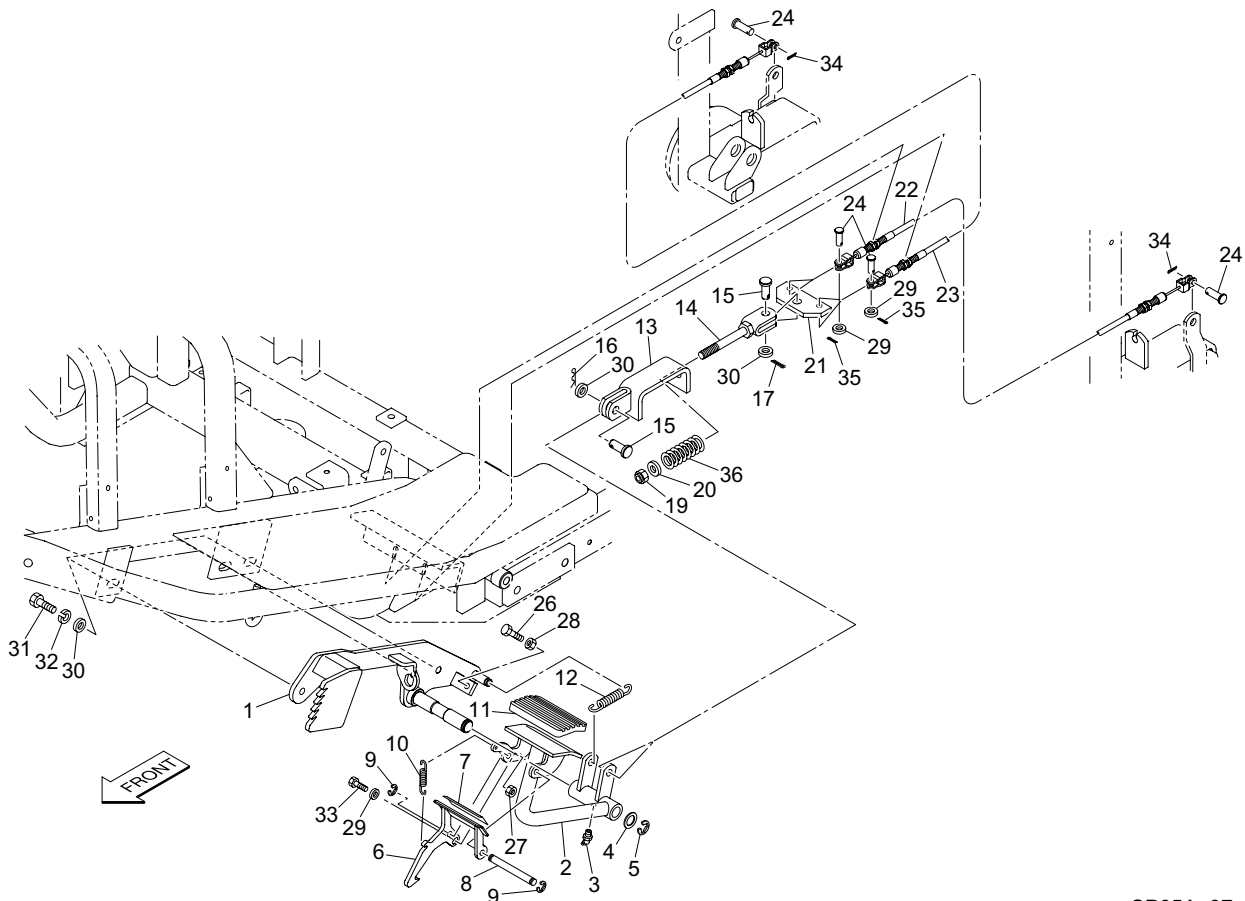
6. Rear wheel section

SP05A



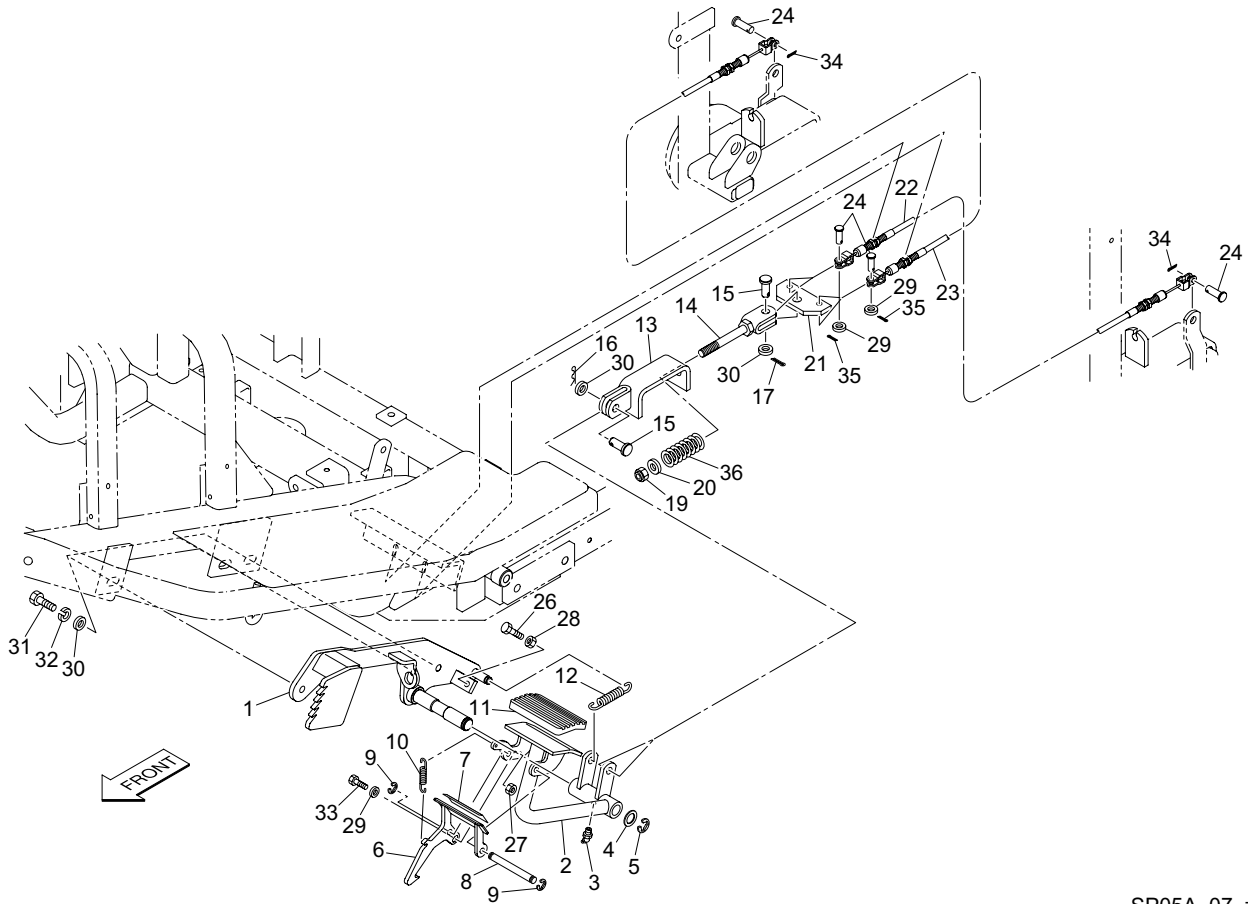
SP05A_06_z04

Cat No.	Code No.	Part name	Qty	Remark	SN of application
6 - 31	K2040000400	TIRE ASSY, C828-25*13.00-9-L	1		
6 - 32	K2040000410	TIRE ASSY, C828-25*13.00-9-R	1		
6 - 33	K2041000220	TIRE, C828-25*13.00-9	2		
6 - 34	K209000062L-SET	WHEEL SET, 10SW-9	2		
6 - 35	K2098000010	O-RING	2		
6 - 36	K2097000040	VALVE, RIM PVR70	2		
6 - 37	K2092000020	CORE, VALVE NO.9000	2		
6 - 38	K2093000010	CAP, VALVE	2		
6 - 39	K0000080152	BOLT, M8-15	28		
6 - 40	K0200080002	WASHER, SPRING M8	28		
6 - 41	K0100080002	NUT, M8	16		
6 - 42	K3291000190	MOTOR, WHEEL 2-200BS4S	2		
6 - 43	K0000120452	BOLT, M12-45	8		
6 - 44	K0011120302	BOLT, HT P1.5 M12-30	8		
6 - 45	K0100120002	NUT, M12	8		
6 - 46	K0200120002	WASHER, SPRING M12	16		
6 - 47	K5000120002	WASHER, M12	8		
6 - 48	Y61090S	SEAL KIT, ORBIT MOTOR 2000 (REAR)	2		
6 - 49	Y61091S	SEAL KIT, ORBIT MOTOR 2000 (SHAFT)	2		



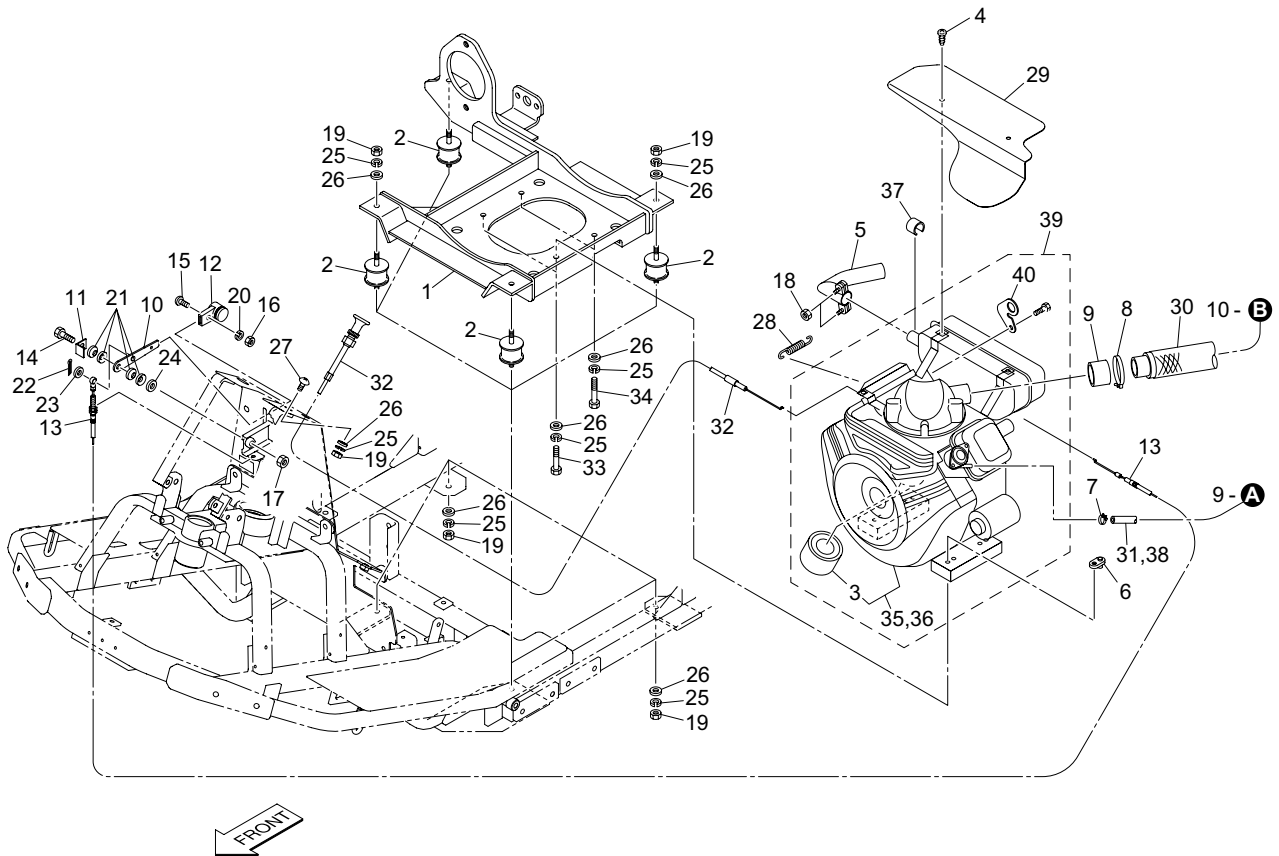
SP05A_07_z02

Cat No.	Code No.	Part name	Qty	Remark	SN of application
7 - 1	SP05A--0201BD	FULCRUM, BRAKE	1		
7 - 2	SP05--0230AD	PEDAL, BRAKE	1		
7 - 3	K1440000020	GREASE NIPPLE, TYPE C	1		
7 - 4	K5051016240	WASHER, C5191P 1-16-24	1		
7 - 5	K0400012002	RING, RETAINING E M12	1		
7 - 6	FS900--0309ZD	PEDAL, LOCKING BRAKE PEDAL	1		
7 - 7	SP160E-3412Z0	SHEET, NONSKID FOR PEDAL	1		
7 - 8	SP160E-3411Z2	SHAFT, 8-78	1		
7 - 9	K0400006002	RING, RETAINING E M6	2		
7 - 10	K1030000108	SPRING, W/U HOOK M1.2-9.4-35	1		
7 - 11	K4050000050	RUBBER, FOR PEDAL 70100	1		
7 - 12	K1030000048	SPRING, W/U HOOK M2-14-80	1		
7 - 13	SP05--0221ZD	BRACKET, SPRING	1		
7 - 14	SP05--0220Z2	ROD, SPRING	1		
7 - 15	K6031100258	PIN, FLAT HEAD HT M10-25	2		
7 - 16	K0331000008	PIN, SNAP M10	1		
7 - 17	K0302025250	PIN, COTTER SUS M2.5-25	1		
7 - 18					
7 - 19	K0144100002	NUT, W/F-RING M10	1		
7 - 20	K5073210262	WASHER, SPHC 3.2-10-26	1		
7 - 21	SP05--0222Z2	FITTING, BRAKE WIRE	1		
7 - 22	K1120084500	WIRE, BRAKE 845	1		
7 - 23	K1120145210	WIRE, BRAKE 1452	1		
7 - 24	K6031060172	PIN, FLAT-HEAD HT M6-17	4		
7 - 25					
7 - 26	K0000080302	BOLT, M8-30	1		
7 - 27	K0100060002	NUT, M6	1		
7 - 28	K0100080002	NUT, M8	1		
7 - 29	K5000060002	WASHER, M6	3		
7 - 30	K5000100002	WASHER, M10	5		



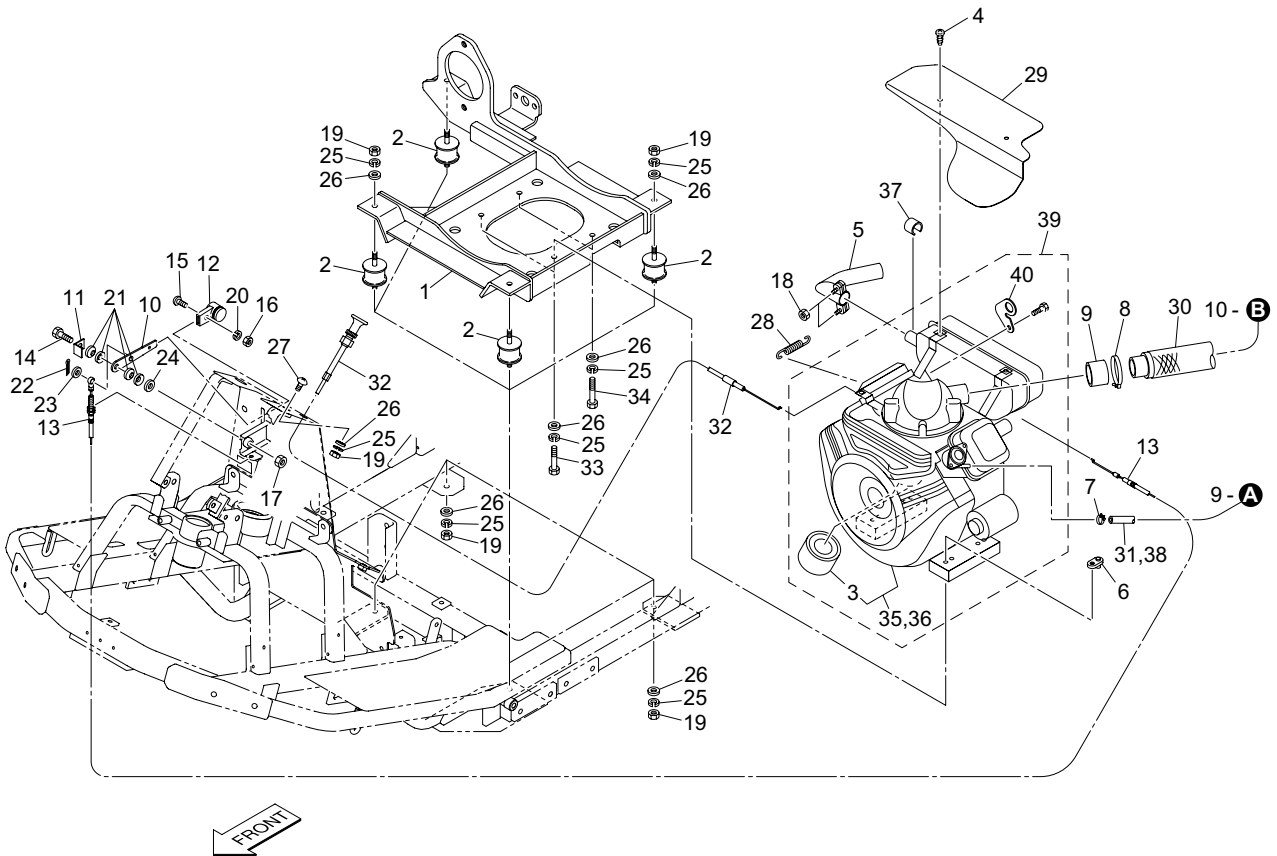
SP05A_07_z02

Cat No.	Code No.	Part name	Qty	Remark	SN of application
7 - 31	K0000100202	BOLT, M10-20	3		
7 - 32	K0200100002	WASHER, SPRING M10	3		
7 - 33	K0000060202	BOLT, M6-20	1		
7 - 34	K0330600008	PIN, SNAP M6	2		
7 - 35	K0300016202	PIN, COTTER M1.6-20	2		
7 - 36	K1000001008	SPRING, COMPRESSION M5-25-60	1		



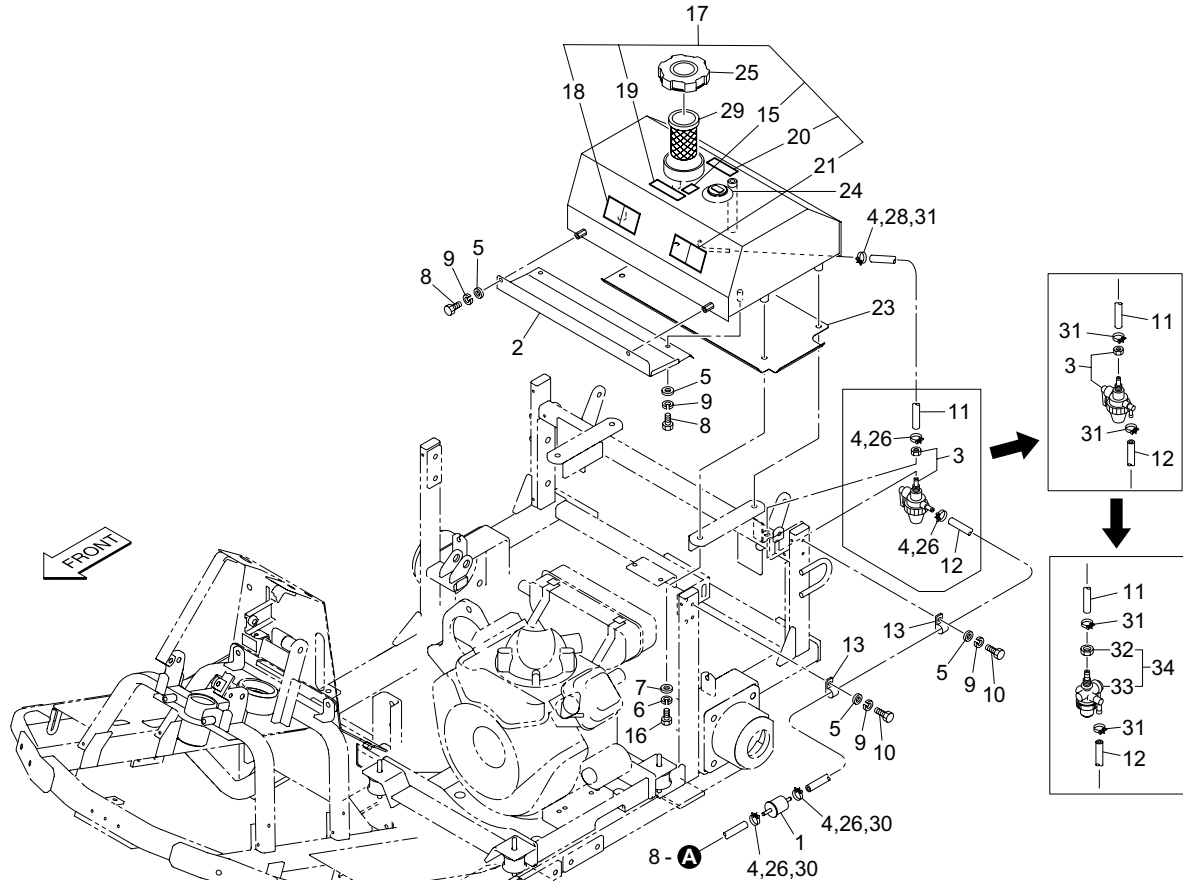
SP05A_08_z03

Cat No.	Code No.	Part name	Qty	Remark	SN of application
8 - 1	SP05---0301ZD	BASE, ENGINE	1		
8 - 2	K4040000130	RUBBER, VIBRATION PROOF EA4006	4		
8 - 3	PL492932S	FILTER, OIL	1		
8 - 4	K0069000112	SCREW, 6+ TRUSS TAP (TYPE 3-12)	2		
8 - 5	SP05---0311AU	PIPE, MUFFLER	1		
8 - 6	SP05---0309Z2	MOUNT, ENGINE	4		
8 - 7	K4260000150	CLAMP, HOSE 12	1		21029-21067,21088-21068-21087
8 a- 7	K4260000270	CLIP, HOSE TS095	1		
8 - 8	K4261036000	CLAMP, HOSE 4669	1		
8 - 9	SP05---0312Z0	RUBBER, SPACER	1		
8 - 10	SP05---0340ZD	LEVER, THROTTLE	1		
8 - 11	SP05---0341Z2	PLATE, RETAINING	1		
8 - 12	K1301000150	GRIP, PLASTIC THROTTLE LEVER	1		
8 - 13	K1110143010	WIRE, THROTTLE 1430	1		
8 - 14	K0000100352	BOLT, M10-35	1		
8 - 15	K0042050082	SCREW, + ROUND HEAD M5-8	1		
8 - 16	K0100050002	NUT, M5	1		
8 - 17	K0100100002	NUT, M10	1		
8 - 18	K0144080002	NUT, W/F-RING M8	2		
8 - 19	K0100080002	NUT, M8	9		
8 - 20	K0200050002	WASHER, SPRING M5	1		
8 - 21	K0212100001	WASHER, DISK SPRING 1L M10	4		
8 - 22	K0300016122	PIN, COTTER M1.6-12	1		
8 - 23	K5000060002	WASHER, M6	1		
8 - 24	K5000100002	WASHER, M10	1		
8 - 25	K0200080002	WASHER, SPRING M8	13		
8 - 26	K5000080002	WASHER, M8	13		
8 - 27	K0056080200	SCREW, SUS + TRUSS M8-20	1		
8 - 28	K1020000208	SPRING, W/ROUND HOOK M1.6-16.6-65.2	1		
8 - 29	SP05---2301Z0	COVER, MUFFLER	1		



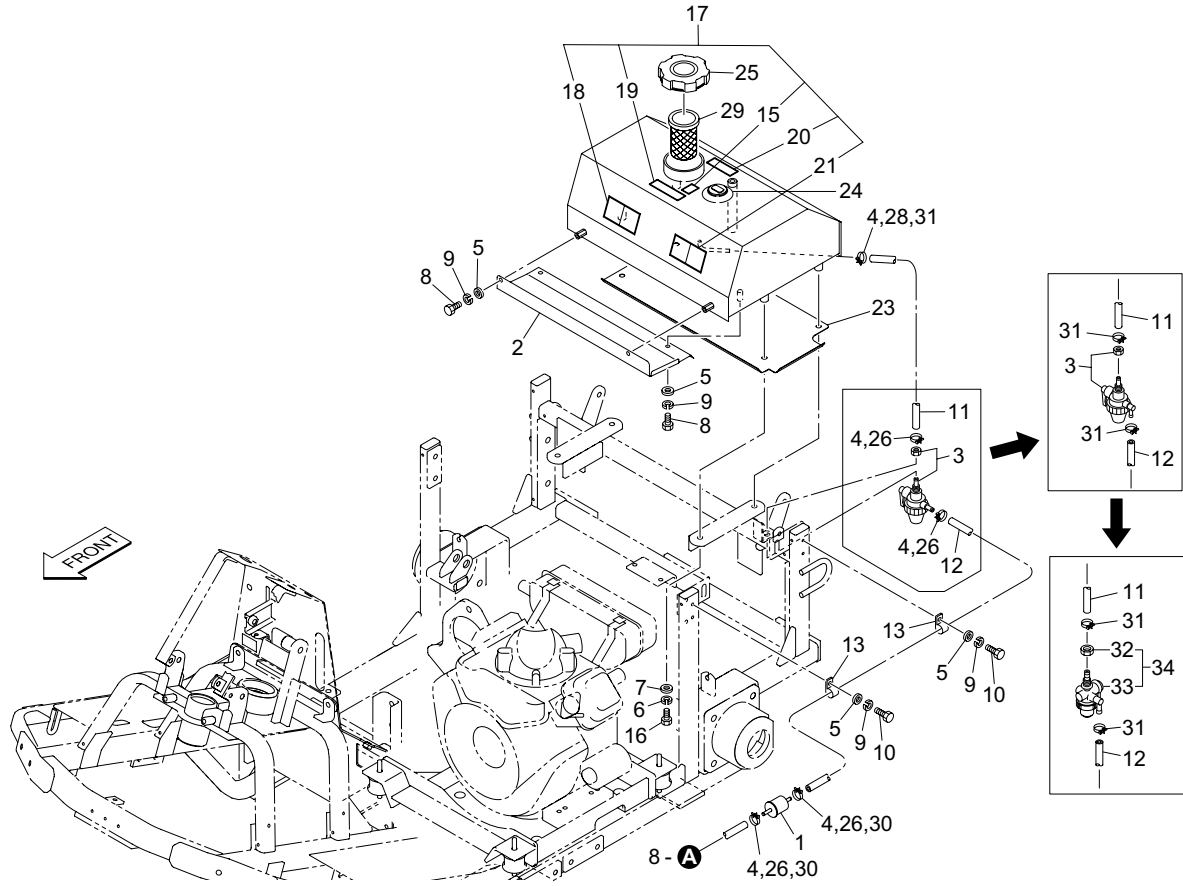
SP05A_08_z03

Cat No.	Code No.	Part name	Qty	Remark	SN of application
8 - 30	SP05---2302Z0	HOSE COMP, CLEANER 420	1		
8 - 31	SP05---2304Z0	HOSE, LOW PERM 6.4-230	1		21029-21067
8 a- 31	K3185060230	HOSE, FUEL 6FKM 230	1		21068-21087
8 b- 31	K3185060200	HOSE, FUEL 6FKM 200	1		21088-
8 - 32	K1100178520	WIRE, CHOKE 1785	1		
8 - 33	K0000080402	BOLT, M8-40	2		
8 - 34	K0000080502	BOLT, M8-50	2		
8 - 35	K2680000590	ENGINE, VANGUARD 356447-705-B5	1		21029-21193
8 b- 35	K2680000490	ENGINE, VANGUARD 356447-0711-G1	1		21194-
8 - 36	PL792015	PLUG, CHAMPION XC92YC	1		
8 - 37	K5112000280	PLATE, 0.4-20-90	0-1		
8 - 38	K4231170150	TUBE, HEAT-INSULATING CA17*150	1		21353-
8 - 39	K9270000440	ENGINE COMP, VANGUARD 356447-0711	1		21373-
8 - 40	K513100244D	PLATE, HANGING ENGINE	1		21373-



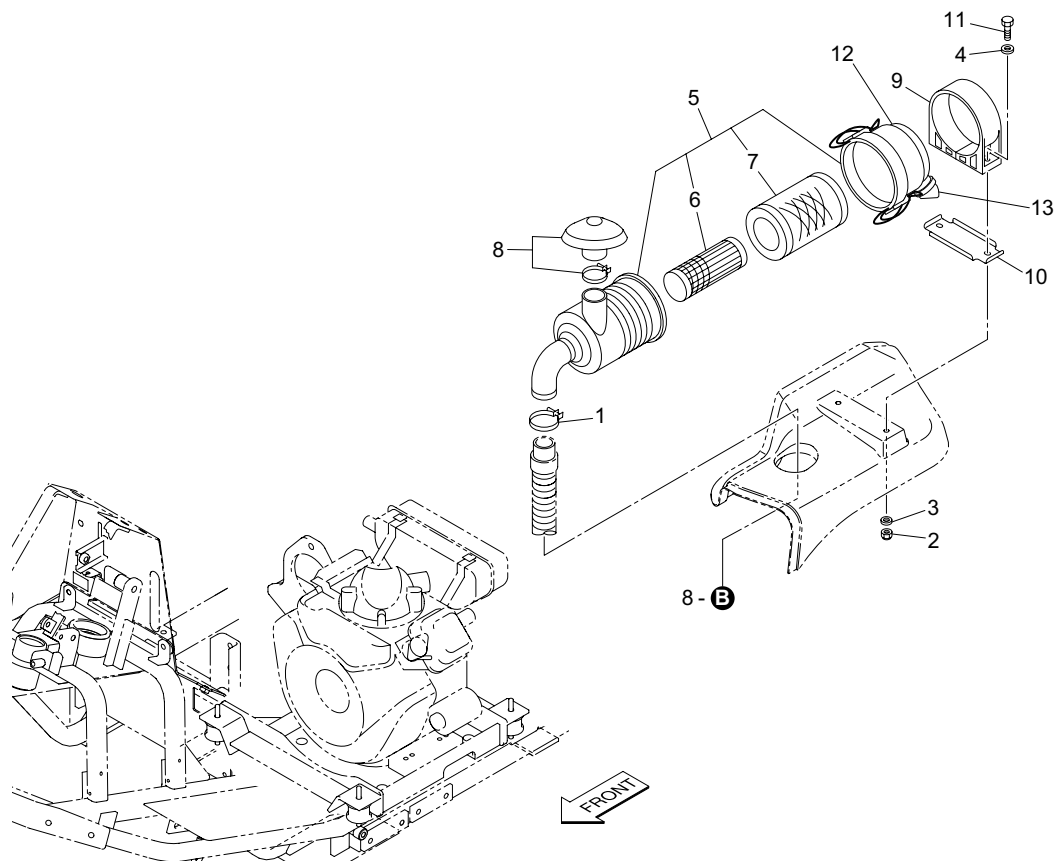
SP05A_09_z09

Cat No.	Code No.	Part name	Qty	Remark	SN of application
9 - 1	PL845125	FILTER, FUEL	1		
9 - 2	SP05---0316Z0	PLATE, INSULATING HEAT	1		
9 - 3	K3420000060	STRAINER, FUEL COCK 22	1		21029-21223
9 a- 3	K3421000040	STRAINER, FUEL KVN-002	1		21224-21971
9 - 4	K4260000150	CLAMP, HOSE 12	5		21029-21067
9 a- 4	K4260000270	CLIP, HOSE TS095	5		21068-21087
9 - 5	K5000060002	WASHER, M6	6		
9 - 6	K0200080002	WASHER, SPRING M8	4		
9 - 7	K5000080002	WASHER, M8	4		
9 - 8	K0020060100	BOLT, SUS M6-10	4		
9 9	K0200060002	WASHER, SPRING M6	6		
9 - 10	K0000060152	BOLT, M6-15	2		
9 - 11	SP05---2305Z0	HOSE, LOW PERM 6.4-330	1		21029-21067
9 a- 11	K3185060330	HOSE, FUEL 6FKM-330	1		21068-
9 - 12	SP05---2306Z0	HOSE, LOW PERM 6.4-565	1		21029-21067
9 a- 12	K3185060560	HOSE, FUEL 6FKM-565	1		21068-21223
9 b- 12	K3185060600	HOSE, FUEL 6FKM-605	1		21224-
9 - 13	K4270015060	CLIP, HARNESS 15 M6	2		
9 - 14					
9 - 15	K4209001310	DECAL, LEAD-FREE GASOLINE	1		
9 - 16	K0020080200	BOLT, SUS M8-20	4		
9 - 17	SP05A--0301Z0	TANK COMP, FUEL	1		
9 - 18	K4205001910	DECAL, CAUTION NOT TO GET CAUGHT IN	1		
9 - 19	K4205001940	DECAL, DANGER "NO FIRE"	1		
9 - 20	K4205001920	DECAL, CAUTION HOT PARTS	1		
9 - 21	K4205001950	DECAL, CAUTION EXHAUST GAS	1		
9 - 22					
9 - 23	SP05A--0303Z0	BOARD, ADIABATIC LOWER	1		
9 - 24	Y446060	FO GAUGE (L=135) FOR FUEL TANK	1		
9 - 25	K2721000050	CAP, YGW0150SS	1		



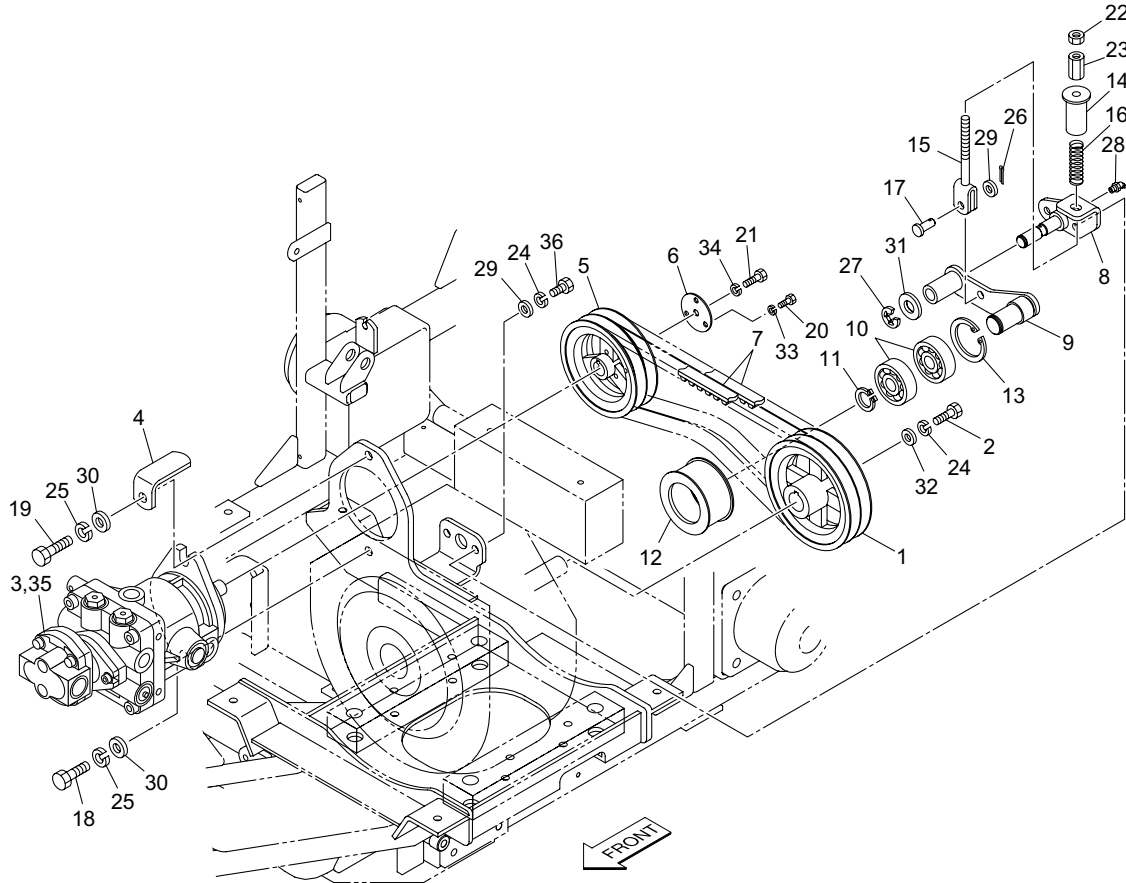
SP05A_09_z09

Cat No.	Code No.	Part name	Qty	Remark	SN of application
9 - 26	K4260000150	CLAMP, HOSE 12	4		21088-21664
9 - 27					
9 - 28	K4260000270	CLIP, HOSE TS095	1		21088-21664
9 - 29	Y105372-55100	STRAINER, FUEL TANK 16	1		
9 - 30	K4260000150	CLAMP, HOSE 12	2		21665-
9 - 31	K4260000270	CLIP, HOSE TS095	3		21665-
9 - 32	K0160000720	NUT, SPECIAL P1.25 M10-5	1		21972-
9 - 33	K3421000060	STRAINER, FUEL COC	1		21972-
9 - 34	K3421000050	STRAINER, FUEL COC W/NUT	1		21972-



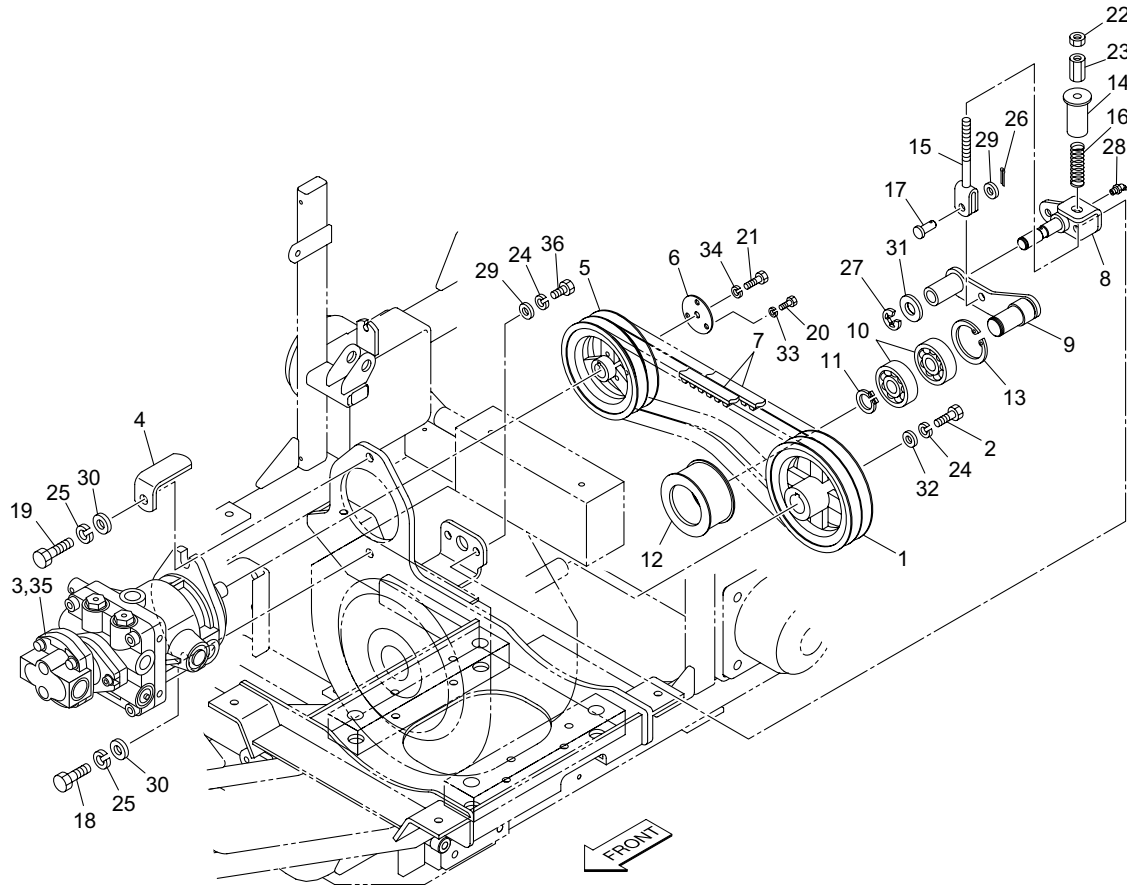
SP05A_10_z03

Cat No.	Code No.	Part name	Qty	Remark	SN of application
10 - 1	K4261036000	CLAMP, HOSE 4669	1		
10 - 2	K0144080002	NUT, W/F-RING M8	2		
10 - 3	K5012308352	WASHER, SPCC 2.3-8-35	2		21029-21505
10 a- 3	K5012308262	WASHER, SPCC 2.3-8-26	2		21506-
10 - 4	K5000080002	WASHER, M8	2		
10 - 5	PL809670	AIR CLEANER	1		
10 - 6	PL821136	AIR FILTER CARTRIDGE, INNER	1		
10 - 7	PL841497	AIR FILTER CARTRIDGE, OUTER	1		
10 - 8	PL809907	CAP, RAIN	1		
10 - 9	PL809878	CLAMP, AIR CLEANER	1		
10 - 10	PL841886	BRACKET, AIR CLEANER	1		
10 - 11	K0000080352	BOLT, M8-35	2		
10 - 12	PL842621	COVER, AIR CLEANER	1		
10 - 13	PL842623	VALVE DEVICE	1		



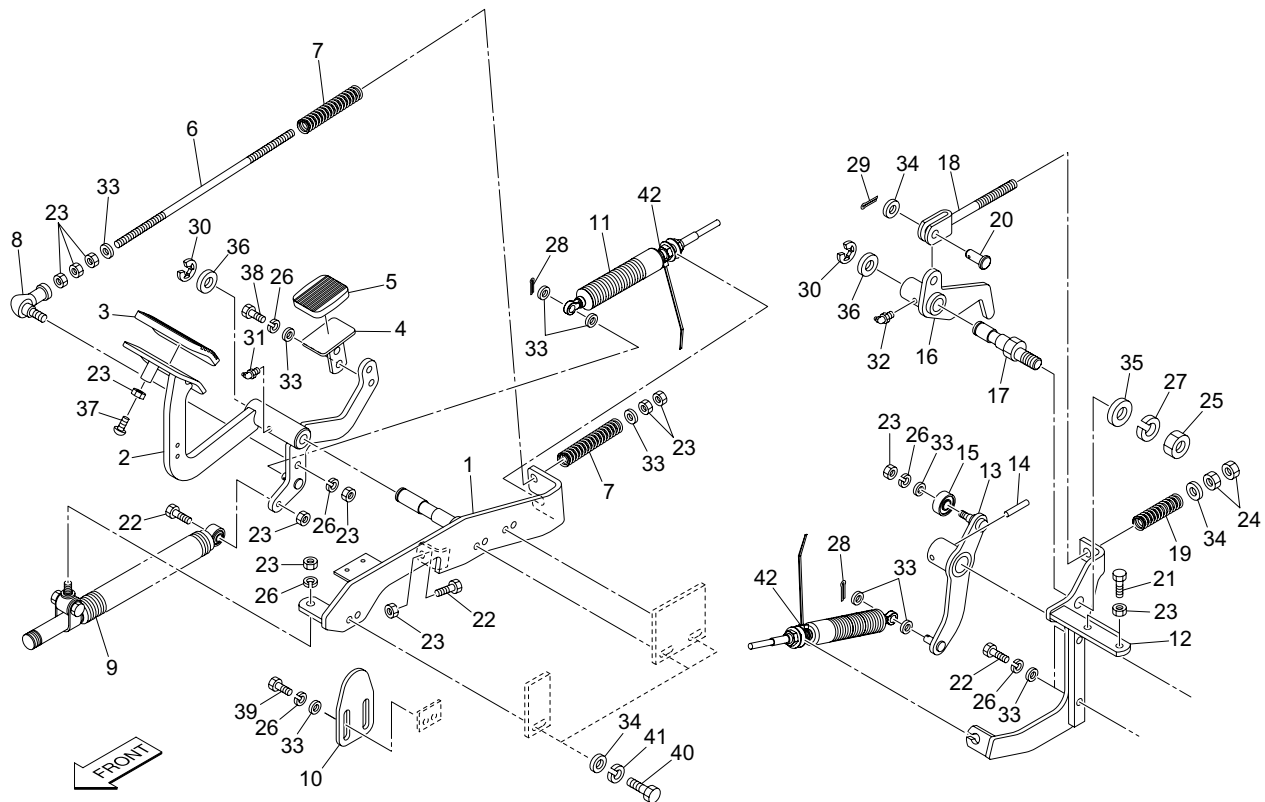
SP05A_11_z01

Cat No.	Code No.	Part name	Qty	Remark	SN of application
11 - 1	K242100007D	PULLEY, V B2-25.4-153	1		
11 - 2	K0069000052	BOLT, 3/8-24 UNF 25.4	1		
11 - 3	K3241000180	PUMP, PISTON PSV-16AHG-2	1		
11 - 4	SP05---0308ZD	ANGLE	1		
11 - 5	K242100008D	PULLEY, V B2-19-129	1		
11 - 6	K5130000452	PLATE, SPCC PULLEY STOPPER	1		
11 - 7	K2374220430	BELT, COGGED H-PXSB43-2	1	set of 2PCS	
11 - 8	SP05---0304ZD	FULCRUM, TENSION	1		
11 - 9	SP05---0305AD	LEVER, TENSION	1		
11 - 10	K0612063050	BEARING, BALL SEAL 2RD 6305	2		
11 - 11	K0400019002	RING, RETAINING E M19	1		
11 - 12	K2471400802	PULLEY, TENSION 4080	1		
11 - 13	K0402062001	RING, RETAINING R M62	1		
11 - 14	SP05---0307ZD	COVER, SPRING	1		
11 - 15	K7303000092	ADJUSTER, LEVER	1		
11 - 16	K1000000048	SPRING, COMPRESSION M3.2-16.9-60	1		
11 - 17	K6031100258	PIN, FLAT HEAD HT M10-25	1		
11 - 18	K0000120302	BOLT, M12-30	1		
11 - 19	K0000120352	BOLT, M12-35	1		
11 - 20	K0000060102	BOLT, M6-10	3		
11 - 21	K0000080202	BOLT, M8-20	1		
11 - 22	K0100100002	NUT, M10	1		
11 - 23	K0149107152	NUT, HIGH M10-17-15	1		
11 - 24	K0200100002	WASHER, SPRING M10	3		
11 - 25	K0200120002	WASHER, SPRING M12	2		
11 - 26	K0300025202	PIN, COTTER M2.5-20	1		
11 - 27	K0400012002	RING, RETAINING E M12	1		
11 - 28	K1440000020	GREASE NIPPLE, TYPE C	1		
11 - 29	K5000100002	WASHER, M10	3		
11 - 30	K5000120002	WASHER, M12	2		



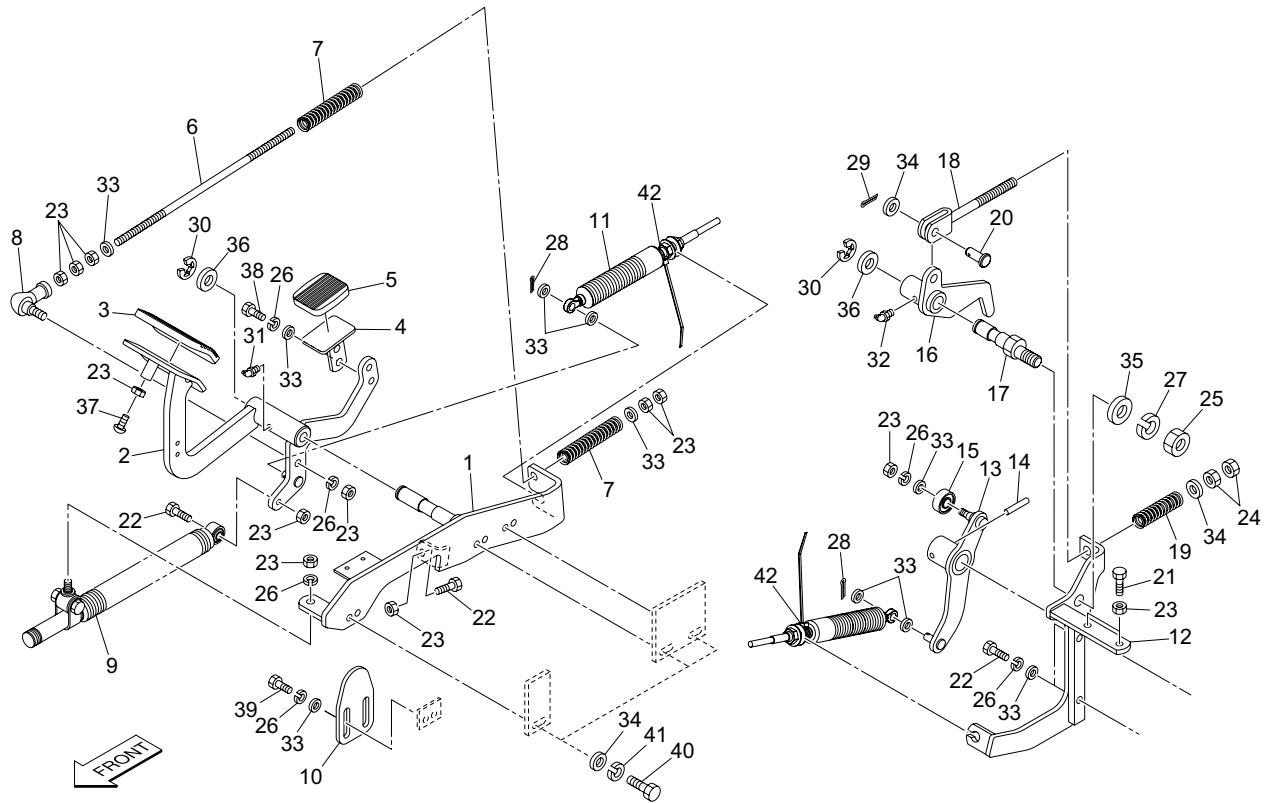
SP05A_11_z01

Cat No.	Code No.	Part name	Qty	Remark	SN of application
11 - 31	K5011016222	WASHER, SPCC 1-16-22	1		
11 - 32	K5073210352	WASHER, SPHC 3.2-10-35	1		
11 - 33	K0200060002	WASHER, SPRING M6	3		
11 - 34	K0200080002	WASHER, SPRING M8	1		
11 - 35	Y2063A-25176	REPAIR KIT, PSV16C-2-GP	1		
11 - 36	K0000100202	BOLT, M10-20	2		



SP05A_12_z02

Cat No.	Code No.	Part name	Qty	Remark	SN of application
12 - 1	SP05---0321ZD	FULCRUM, TRAVELING PEDAL	1		
12 - 2	SP05---0320ZD	PEDAL, TRAVELING	1		
12 - 3	K4050000050	RUBBER, FOR PEDAL 70100	1		
12 - 4	SP05---0322AD	PEDAL, REVERSE	1		
12 - 5	K4050000020	RUBBER, FOR PEDAL 4560	1		
12 - 6	SP05---0323Z2	ROD, PEDAL NEUTRAL	1		
12 - 7	K1000000718	SPRING, COMPRESSION M2.3-15.6-80	2		
12 - 8	K1608080000	JOINT, SPHERICAL SQ8	1		
12 - 9	K3380000030	DAMPER	1		
12 - 10	SP05---0324ZD	PLATE, ADJUSTING SPEED	1		
12 - 11	K1160075510	CABLE, PUSH-PULL 755	1		
12 - 12	SP05---0330ZD	BRACKET, TRAVELING CABLE	1		
12 - 13	SP05---0331ZD	LEVER, TRUNNION	1		
12 - 14	K0324060321	PIN, SPIRAL M6-32	1		
12 - 15	K0608006290	BEARING, BALL SEAL 2RS 629	1		
12 - 16	SP05---0332ZD	LEVER, NEUTRALIZING PUMP	1		
12 - 17	K6123000112	SHAFT, THREADED M14-95.5	1		
12 - 18	K7303000092	ADJUSTER, LEVER	1		
12 - 19	K1000000048	SPRING, COMPRESSION M3.2-16.9-60	1		
12 - 20	K6031100258	PIN, FLAT HEAD HT M10-25	1		
12 - 21	K0000080252	BOLT, M8-25	2		
12 - 22	K0000080302	BOLT, M8-30	4		
12 - 23	K0100080002	NUT, M8	13		
12 - 24	K0100100002	NUT, M10	2		
12 - 25	K0103140002	NUT, P1.5 M14	1		
12 - 26	K0200080002	WASHER, SPRING M8	8		
12 - 27	K0200140002	WASHER, SPRING M14	1		
12 - 28	K0300020202	PIN, COTTER M2-20	2		
12 - 29	K0300025202	PIN, COTTER M2.5-20	1		
12 - 30	K0400012002	RING, RETAINING E M12	2		

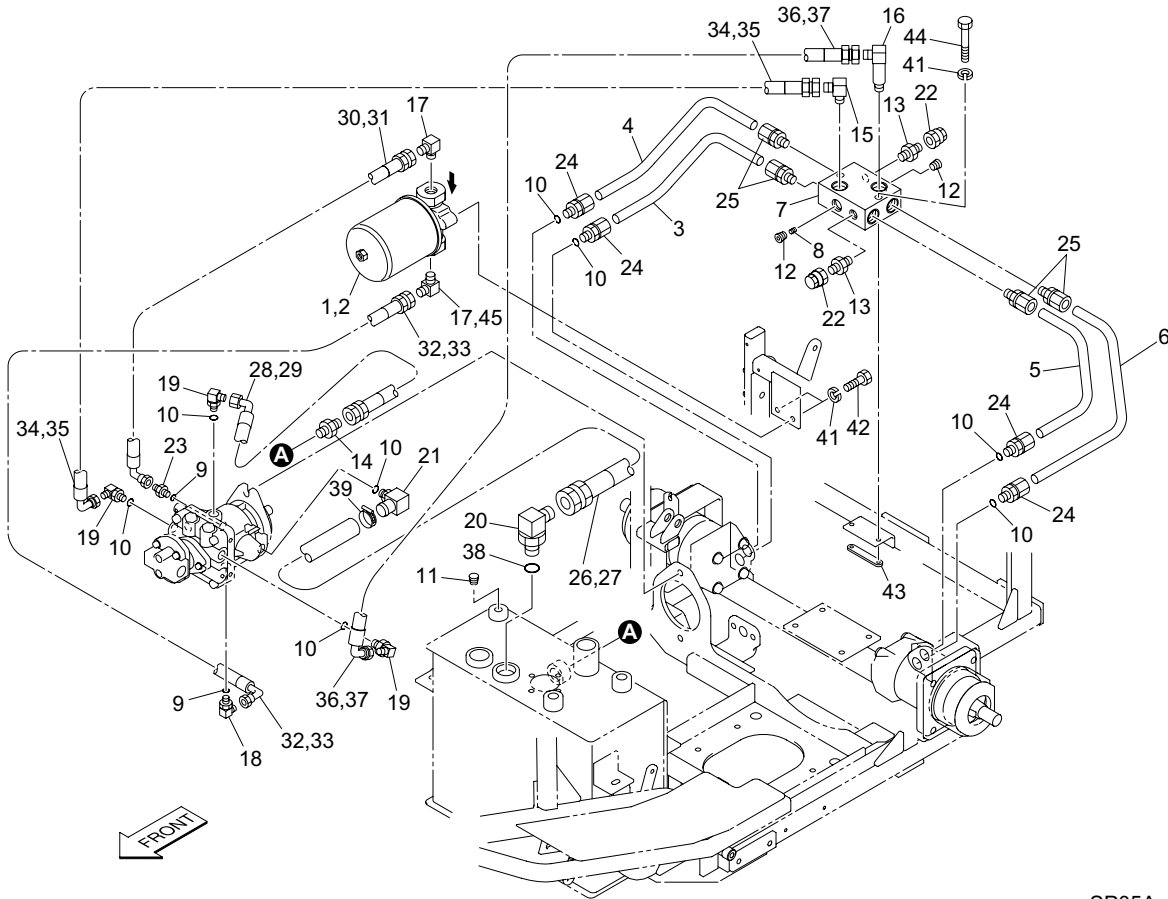


SP05A_12_z02

Cat No.	Code No.	Part name	Qty	Remark	SN of application
12 - 31	K1440000020	GREASE NIPPLE, TYPE C	1		
12 - 32	K1440000030	GREASE NIPPLE, TYPE B	1		
12 - 33	K5000080002	WASHER, M8	11		
12 - 34	K5000100002	WASHER, M10	5		
12 - 35	K5000140002	WASHER, M14	1		
12 - 36	K5051016240	WASHER, C5191P 1-16-24	2		
12 - 37	K0056080200	SCREW, SUS + TRUSS M8-20	1		
12 - 38	K0000080152	BOLT, M8-15	2		
12 - 39	K0000080202	BOLT, M8-20	2		
12 - 40	K0000100202	BOLT, M10-20	3		
12 - 41	K0200100002	WASHER, SPRING M10	3		
12 - 42	K4241000120	BAND, PLASTIC TRCV-100W	2		

13. Hydraulic section A (Traveling related parts)

SP05A

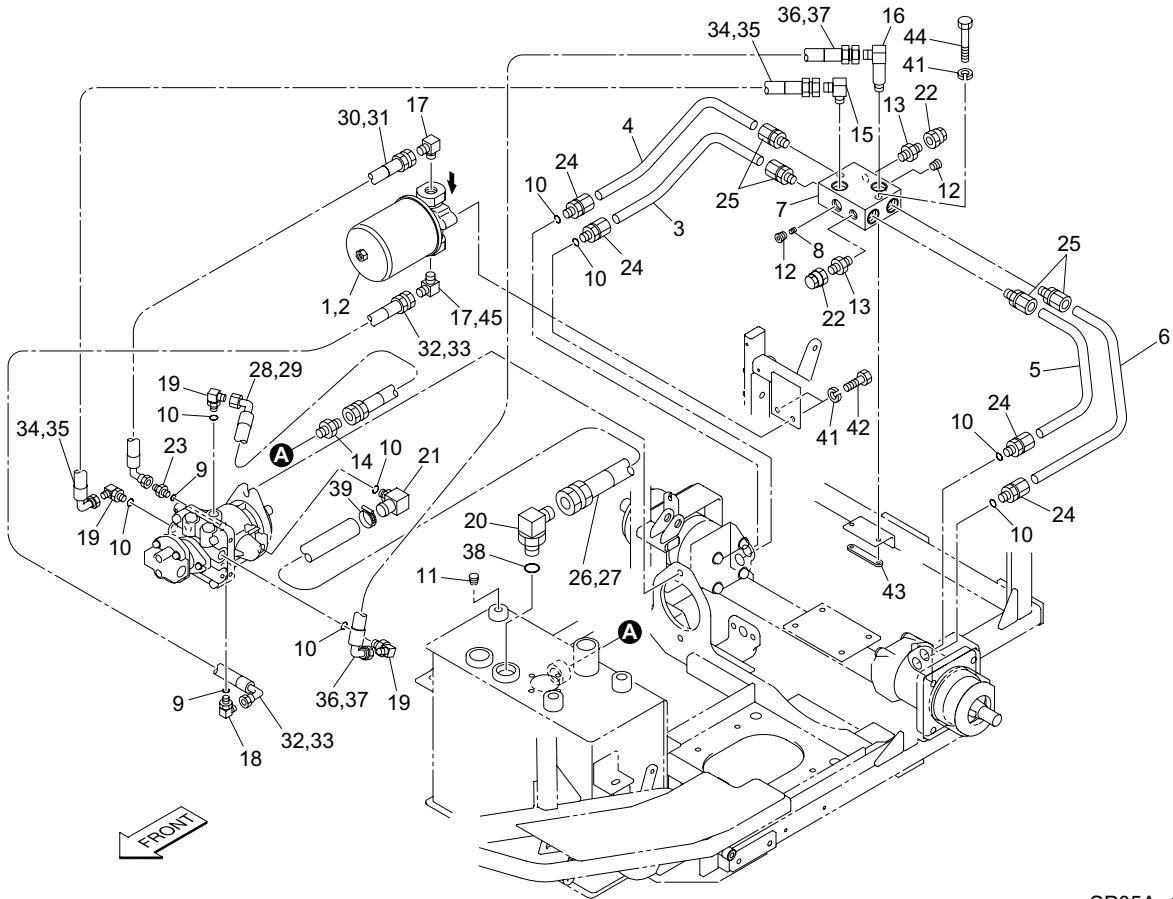


SP05A_13_z02

Cat No.	Code No.	Part name	Qty	Remark	SN of application
13 - 1	K3412000010	FILTER, CARTRIDGE SP04	1		
13 - 2	K3412000050	FILTER, FOR REPLACEMENT C-SP04-10	1		
13 - 3	SP05---0403Z2-Y	PIPE, A	1		
13 - 4	SP05---0404Z2-Y	PIPE, B	1		
13 - 5	SP05---0405Z2-Y	PIPE, C	1		
13 - 6	SP05---0406Z2-Y	PIPE, D	1		
13 - 7	SP05---0414A2-Y	MANIFOLD	1		
13 - 8	SP05---0407Z1	ORIFICE, PT1/8-0.7	1		
13 - 9	K0881014000	O-RING, P14B	2		
13 - 10	K0881018000	O-RING, P18B	8		
13 - 11	K1422104001-Y	PLUG, TAPERED W/HEX HOLE T1 1/4	1	for 2WD	
13 - 12	K1422106001-Y	PLUG, TAPERED W/HEX HOLE T1 3/8	2	for 2WD	
13 - 13	K3000060002-Y	ADAPTER, 1013-6	2		
13 - 14	K3000120002-Y	ADAPTER, 1013-12	1		
13 - 15	K3001120002-Y	ELBOW, 90 1033-12	1		
13 - 16	K3005000032-Y	ELBOW, LONG 1/2	1		
13 - 17	K3006000022-Y	ELBOW, ODD SIZED PT1/2*PF3/8	2	for 2WD	
13 - 18	K3008000032-Y	ELBOW, ADJUSTABLE 90 1086-9	1		
13 - 19	K3008000042-Y	ELBOW, ADJUSTABLE 90 1086-12	3		
13 - 20	K3008000052-Y	ELBOW, ADJUSTABLE 90 1086-19	1		
13 - 21	K3008000422-Y	ELBOW, ADJUSTABLE SFD4507	1		
13 - 22	K3008000482-Y	CAP, TAPPED FEMALE PF1/4	2		
13 - 23	K3009000142-Y	ADAPTER, PF3/8PF3/8	1		
13 - 24	K3026315081-Y	CONNECTOR, KCO 15-040E	4		
13 - 25	K3026615081-Y	CONNECTOR, KCT 15-040E	4		
13 - 26	SP05---0412Z0	HOSE, SUCTION 620	1		
13 - 27	K3192004300	TUBE, SPIRAL SP-20 430	1		
13 - 28	K3100430320	HOSE, WP35-12-3-320	1		
13 - 29	K3191001700	TUBE, SPIRAL SP-15 170	1		
13 - 30	K3101330550	HOSE, WP70-9-3-550	1		

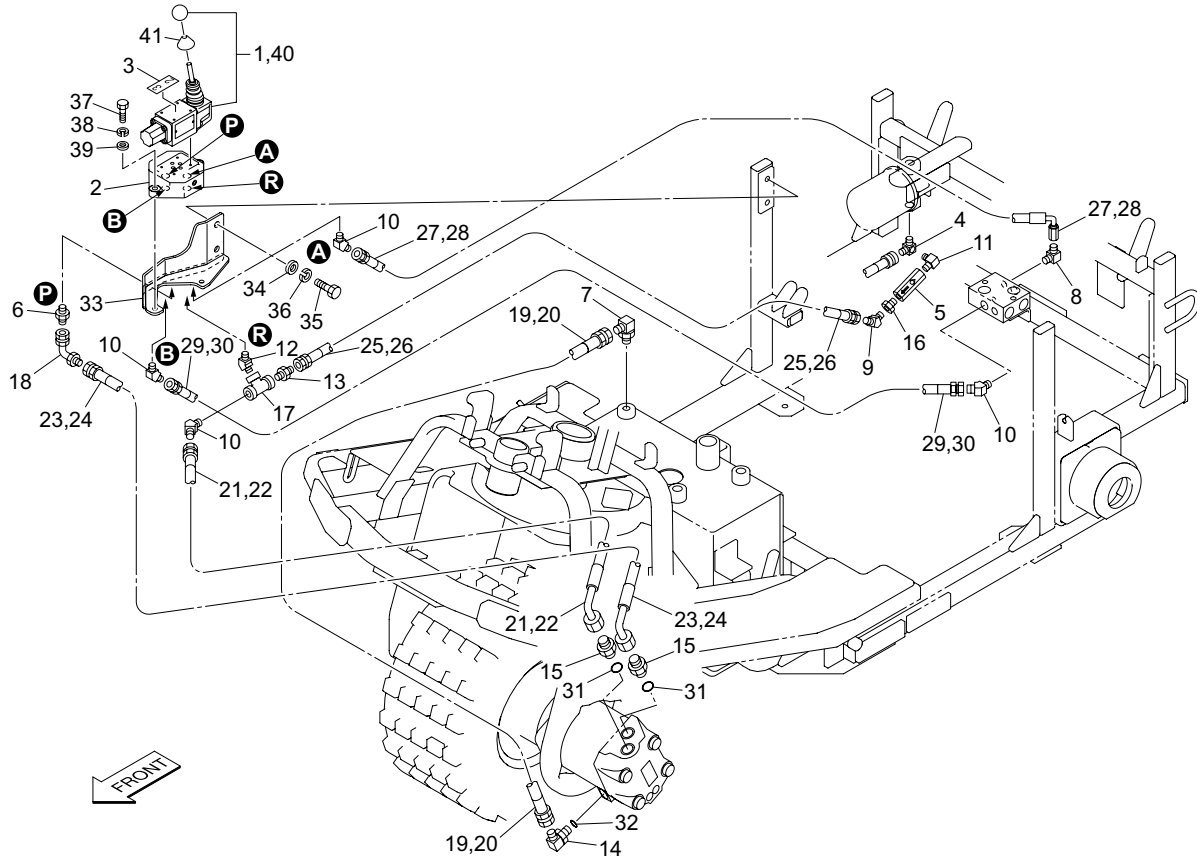
13. Hydraulic section A (Traveling related parts)

SP05A



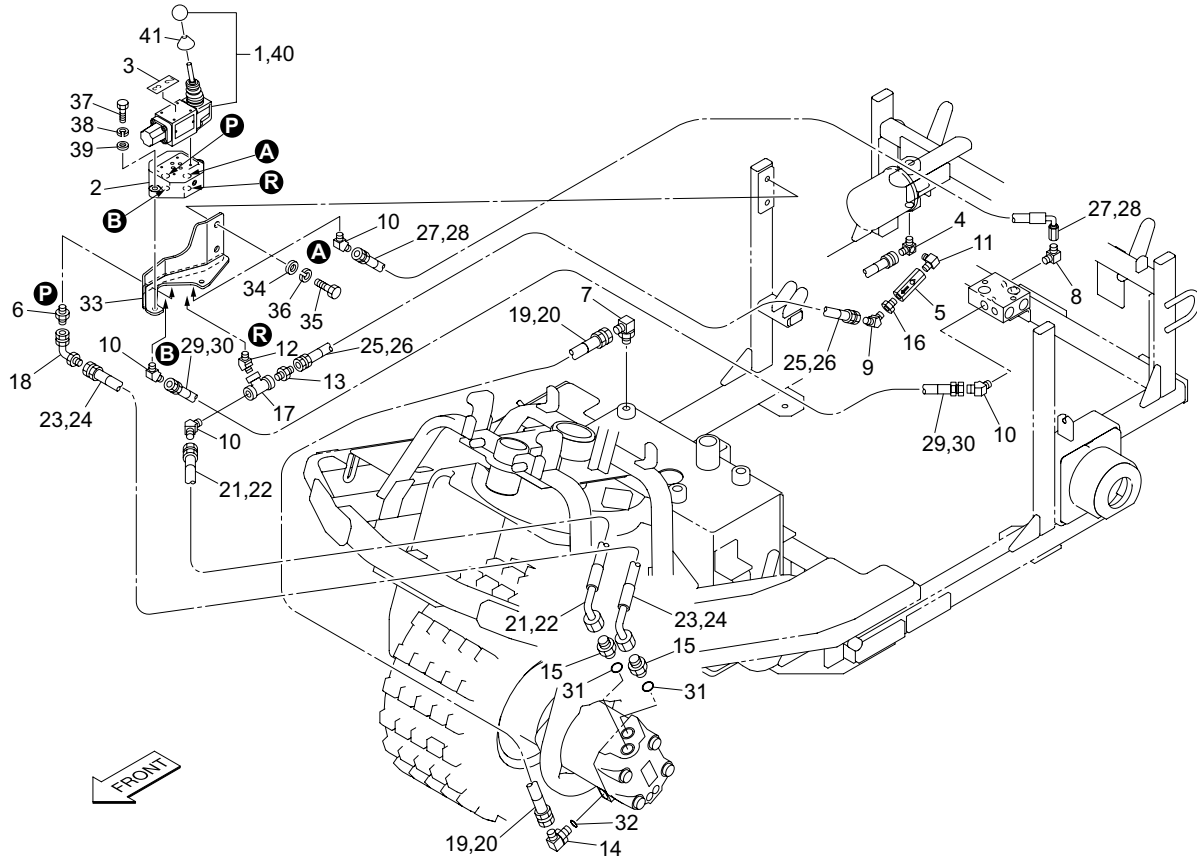
SP05A_13_z02

Cat No.	Code No.	Part name	Qty	Remark	SN of application
13 - 31	K3191004000	TUBE, SPIRAL SP-15 400	1		
13 - 32	K3101330600	HOSE, WP70-9-3-600	1		
13 - 33	K3191004500	TUBE, SPIRAL SP-15 450	1		
13 - 34	K3104430580	HOSE, WP175-12-3-580	1		
13 - 35	K3191004300	TUBE, SPIRAL SP-15 430	1		
13 - 36	K3104430630	HOSE, WP175-12-3-630	1		
13 - 37	K3191004800	TUBE, SPIRAL SP-15 480	1		
13 - 38	K0881024000	O-RING, P24B	1		
13 - 39	K4260000190	CLAMP, HOSE JUBILEE BAND 1	1		
13 - 40					
13 - 41	K0200080002	WASHER, SPRING M8	4		
13 - 42	K0000080202	BOLT, M8-20	2		
13 - 43	SP05A--0402ZD	MOUNT, W/M8	1		
13 - 44	K0000080502	BOLT, M8-50	2		
13 - 45	K3009000382-Y	ELBOW	1	for 3WD	



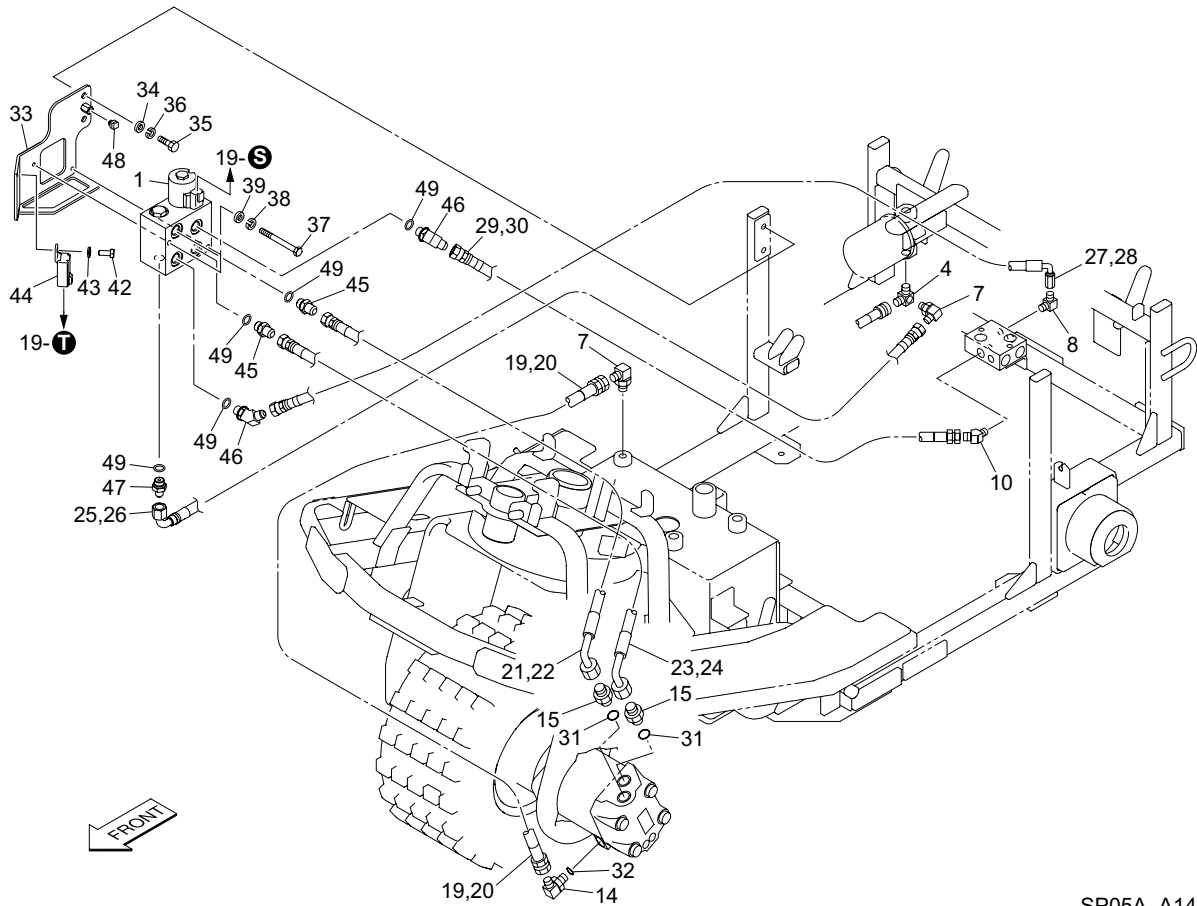
SP05A_14_z03

Cat No.	Code No.	Part name	Qty	Remark	SN of application
14 - 1	K3302000020	VALVE, MANUAL SWITCH HD-02376	1		
14 - 2	K3314000050	SUB-PLATE, SHD025-03T3A	1		
14 - 3	K4203001380	DECAL, 2WD-3WD SHIFT LEVER	1		
14 - 4	SP05---0413Z2-Y	ELBOW	1		
14 - 5	K3341000010	VALVE, CHECK HK3-ET1-03A	1		
14 - 6	K3000090002-Y	ADAPTER, 1013-9	1		
14 - 7	K3001060002-Y	ELBOW, 90 1033-6	1		
14 - 8	K3001090002-Y	ELBOW, 90 1033-9	1		
14 - 9	K3003060002-Y	ELBOW, 45 1035-6	1		
14 - 10	K3003090002-Y	ELBOW, 45 1035-9	4		
14 - 11	K3006000032-Y	ELBOW, ODD SIZED PT1/4*PT3/8	1		
14 - 12	K3006000142-Y	ELBOW, 45 PT3/8	1		
14 - 13	K3007000062-Y	ADAPTER, ODD SIZED PT3/8*PF1/4	1		
14 - 14	K3008000442-Y	ADAPTER, 90 1086-6	1		
14 - 15	K3009000022-Y	ADAPTER, PF1/2*PF3/8	2		
14 - 16	K3020060401-Y	BUSHING, BUT 3/8*1/4	1		
14 - 17	K3021060002-Y	TEE, TEF PT3/8	1		
14 - 18	K3025069062-Y	ADAPTER, FOR PIPE 069-06	1		
14 - 19	K3101211320	HOSE, WP70-6-1-1320	1		21029-21971
14 - 20	K3190011700	TUBE, SPIRAL SP-12 1170	1		21029-21971
14 - 21	K3103321580	HOSE, WP140-9-2-1580	1		
14 - 22	K3191014300	TUBE, SPIRAL SP-15 1430	1		
14 - 23	K3103321610	HOSE, WP140-9-2-1610	1		
14 - 24	K3191014600	TUBE, SPIRAL SP-15 1460	1		
14 - 25	K3101210220	HOSE, WP70-6-1-220	1		
14 - 26	K3190000700	TUBE, SPIRAL SP-12 70	1		
14 - 27	K3103330530	HOSE, WP140-9-3-530	1		
14 - 28	K3191003800	TUBE, SPIRAL SP-15 380	1		
14 - 29	K3103310480	HOSE, WP140-9-1-480	1		
14 - 30	K3191003300	TUBE, SPIRAL SP-15 330	1		



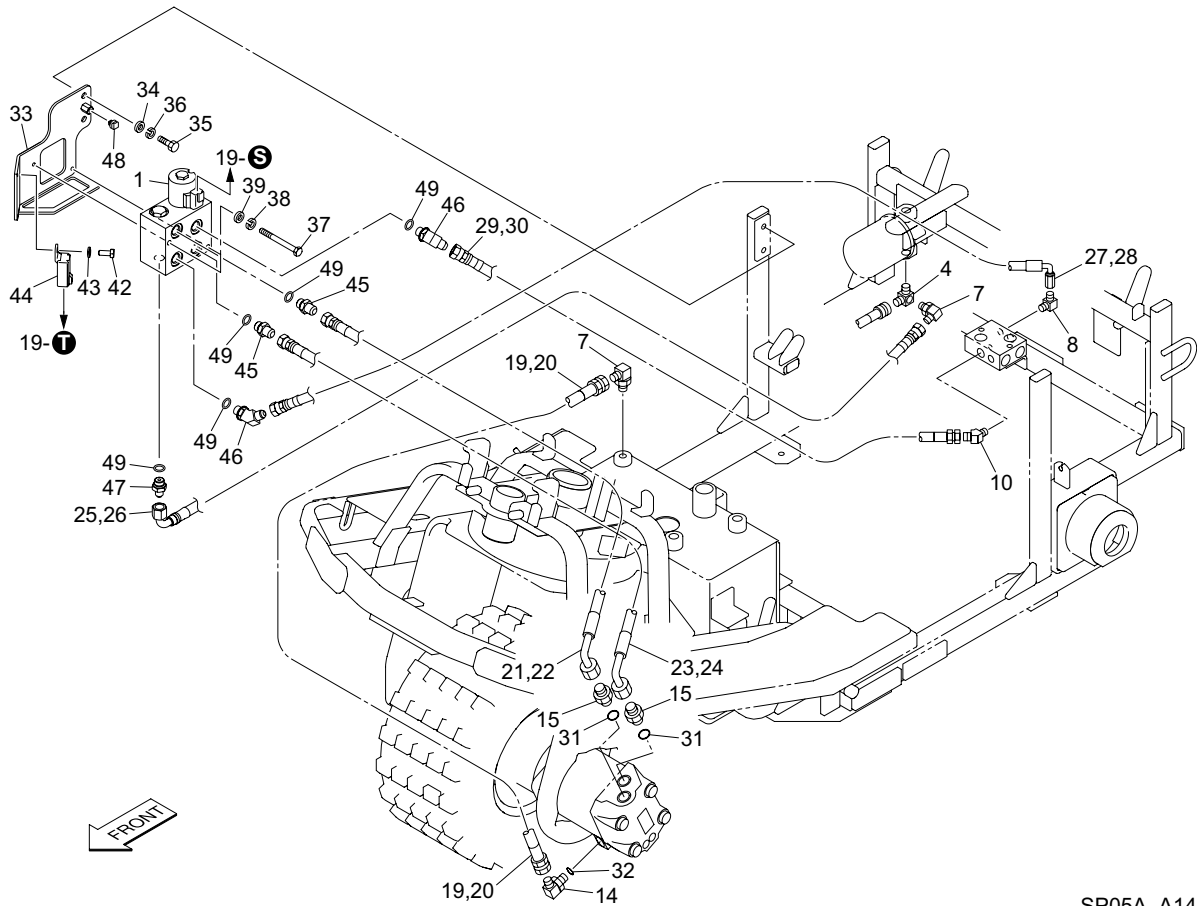
SP05A_14_z03

Cat No.	Code No.	Part name	Qty	Remark	SN of application
14 - 31	K0881018000	O-RING, P18B	2		
14 - 32	K0881011000	O-RING, P11B	1		
14 - 33	SP05--0421ZD	MOUNT, SWITCHING VALVE	1		
14 - 34	K5000100002	WASHER, M10	2		
14 - 35	K0000100202	BOLT, M10-20	2		
14 - 36	K0200100002	WASHER, SPRING M10	2		
14 - 37	K0000080252	BOLT, M8-25	2		
14 - 38	K0200080002	WASHER, SPRING M8	2		
14 - 39	K5000080002	WASHER, M8	2		
14 - 40	K0880009000	O-RING, P9	4		
14 - 41	K4031000360	RUBBER, STAGED 8.5-30	1		21145-21931



SP05A_A14_z00

Cat No.	Code No.	Part name	Qty	Remark	SN of application
A14 a- 1	K3313001010	VALVE COMP, SOLENOID HF80807-12	1		
A14 a- 2					
A14 a- 3					
A14 - 4	SP05---0413Z2-Y	ELBOW	1		
A14 a- 5					
A14 a- 6					
A14 a- 7	K3001060002-Y	ELBOW, 90 1033-6	2		
A14 - 8	K3001090002-Y	ELBOW, 90 1033-9	1		
A14 a- 9					
A14 a- 10	K3003090002-Y	ELBOW, 45 1035-9	1		
A14 a- 11					
A14 a- 12					
A14 a- 13					
A14 - 14	K3008000442-Y	ADAPTER, 90 1086-6	1		
A14 - 15	K3009000022-Y	ADAPTER, PF1/2*PF3/8	2		
A14 a- 16					
A14 a- 17					
A14 a- 18					
A14 - 19	K3101211320	HOSE, WP70-6-1-1320	1		21029-21971
A14 a- 19	K3101211300	HOSE, WP70-6-1-1300	1		21972-
A14 - 20	K3190011700	TUBE, SPIRAL SP-12 1170	1		21029-21971
A14 a- 20	K3190012000	TUBE, SPIRAL SP-12 1200	1		21972-
A14 a- 21	K3103321620	HOSE, WP140-9-2-1620	1		
A14 a- 22	K3191015200	TUBE, SPIRAL SP-15 1520	1		
A14 a- 23	K3103321650	HOSE, WP140-9-2-1650	1		
A14 a- 24	K3191015500	TUBE, SPIRAL SP-15 1550	1		
A14 a- 25	K3101230390	HOSE, WP70-6-3-390	1		
A14 a- 26	K3190002900	TUBE, SPIRAL SP-12 290	1		
A14 - 27	K3103330530	HOSE, WP140-9-3-530	1		
A14 a- 28	K3191004300	TUBE, SPIRAL SP-15 430	1		

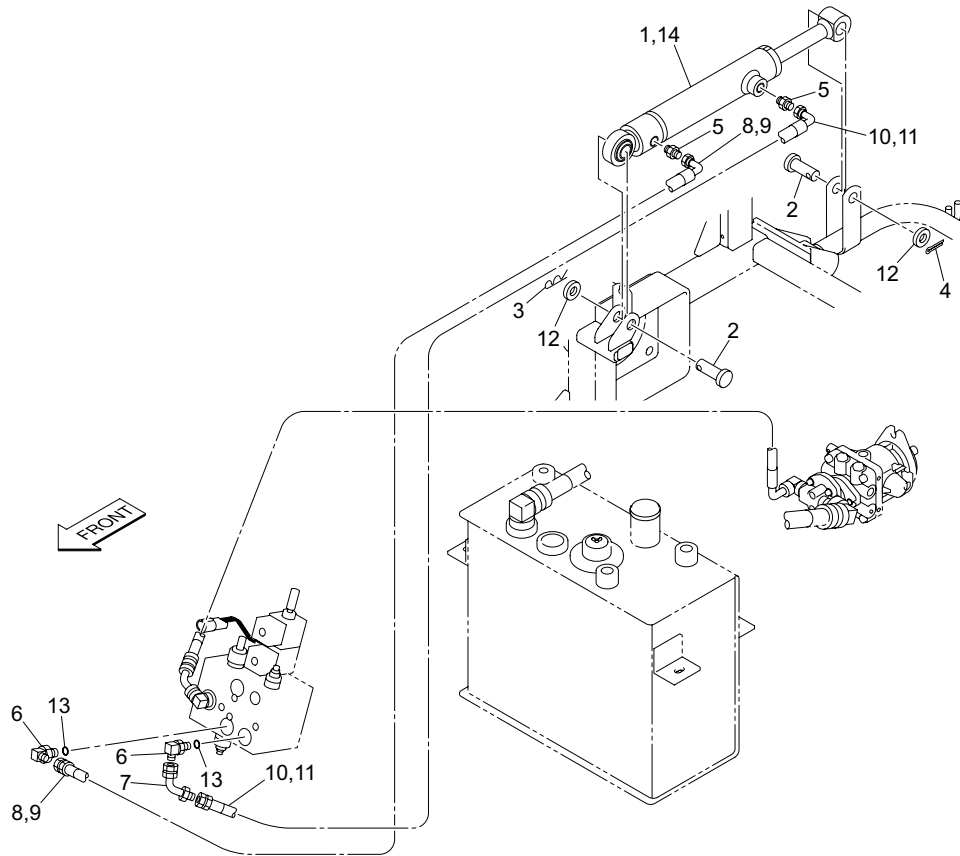


SP05A_A14_z00

Cat No.	Code No.	Part name	Qty	Remark	SN of application
A14 a- 29	K3103310380	HOSE, WP140-9-1-380	1		
A14 a- 30	K3191002800	TUBE, SPIRAL SP-15 280	1		
A14 - 31	K0881018000	O-RING, P18B	2		
A14 - 32	K0881011000	O-RING, P11B	1		
A14 a- 33	SP05A--0403ZD	PLATE, MOUNTING	1		
A14 - 34	K5000100002	WASHER, M10	2		
A14 - 35	K0000100202	BOLT, M10-20	2		
A14 - 36	K0200100002	WASHER, SPRING M10	2		
A14 a- 37	K0003080752	BOLT, M8-75	2		
A14 - 38	K0200080002	WASHER, SPRING M8	2		
A14 - 39	K5000080002	WASHER, M8	2		
A14 a- 40					
A14 a- 41					
A14 - 42	K0000060152	BOLT, M6-15	1		
A14 - 43	K0200060002	WASHER, SPRING M6	1		
A14 - 44	K3681000090	RELAY, ACA12135	1		
A14 - 45	K3009000142-Y	ADAPTER, PF3/8 PF3/8	2		
A14 - 46	K3008000862-Y	ELBOW, ADJUSTABLE 45-1085-9	2		
A14 - 47	K3009000202-Y	ADAPTER, PF1/4*PF3/8	1		
A14 - 48	K4251000050	MOUNT, PLASTIC FOR WIRE FT11	1		
A14 - 49	K0881014000	O-RING, P14B	5		

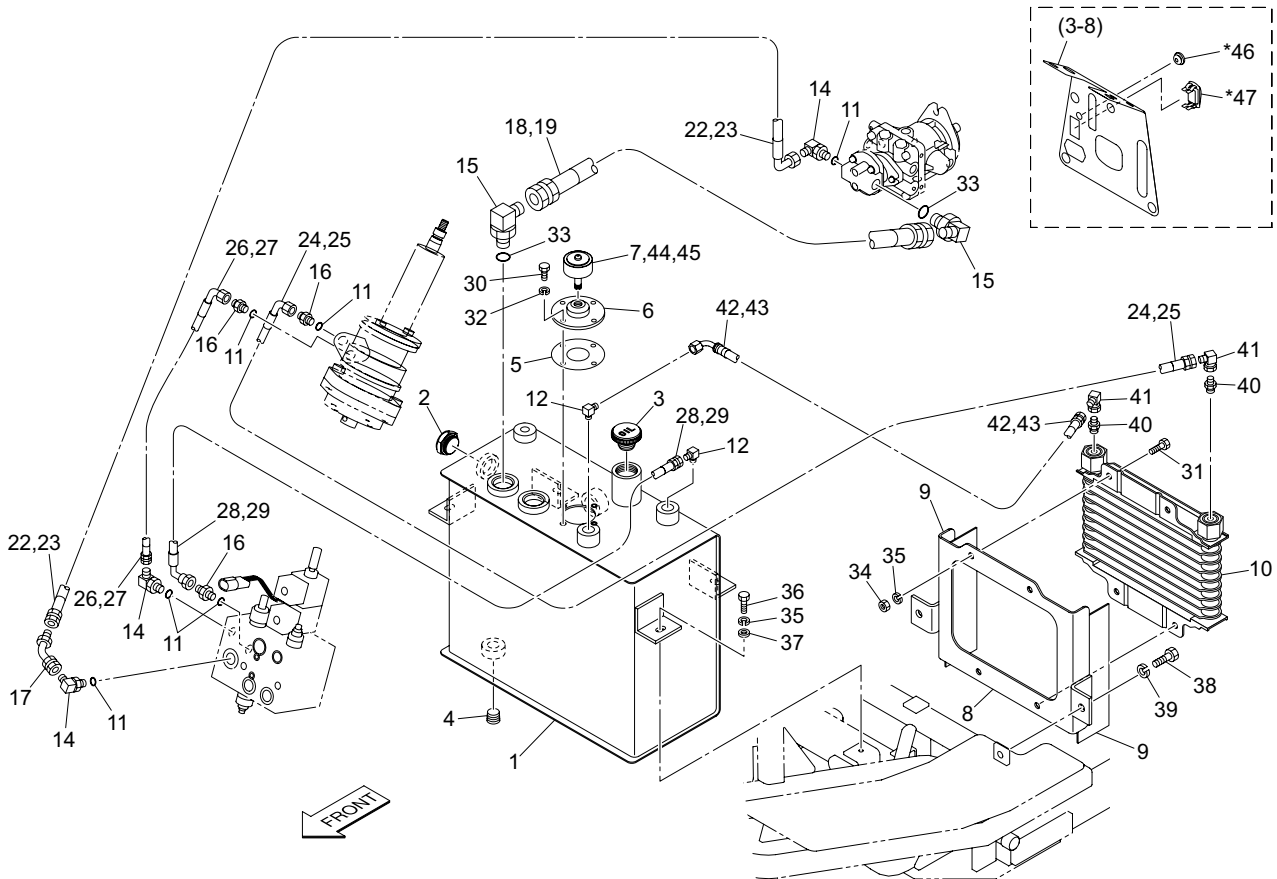
15. Hydraulic section C (Cylinder)

SP05A



SP05A_15_z01

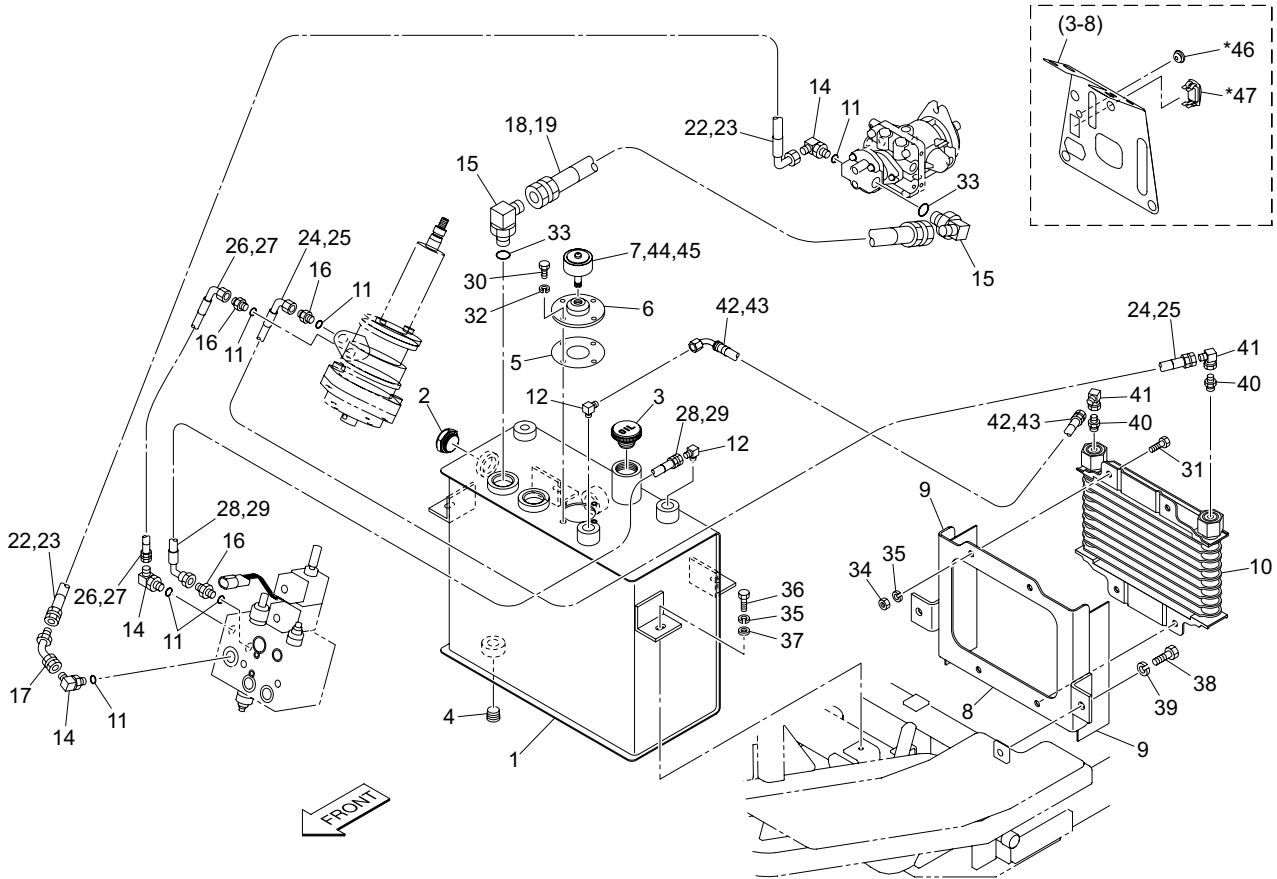
Cat No.	Code No.	Part name	Qty	Remark	SN of application
15 - 1	K321300004D	CYLINDER, 30-125-310	1		
15 - 2	K6031160402	PIN, FLAT HEAD HT M16-40	2		
15 - 3	K0331600008	PIN, SNAP M16	1		
15 - 4	K0300032252	PIN, COTTER M3.2-25	1		
15 - 5	K3000060002-Y	ADAPTER, 1013-6	2		
15 - 6	K3008000442-Y	ADAPTER, 90 1086-6	2		
15 - 7	K3025064042-Y	ADAPTER, FOR PIPE 064-04	1		
15 - 8	K3102231530	HOSE, WP105-6-3-1530	1		
15 - 9	K3190013800	TUBE, SPIRAL SP-12 1380	1		
15 - 10	K3102231600	HOSE, WP105-6-3-1600	1		
15 - 11	K3190014700	TUBE, SPIRAL SP-12 1470	1		
15 - 12	K5000160002	WASHER, M16	2		
15 - 13	K0881011000	O-RING, P11B	2		
15 - 14	YIS-30B-SK	SEAL KIT, CYLINDER	1		



* 2WD only

SP05A_16_z04

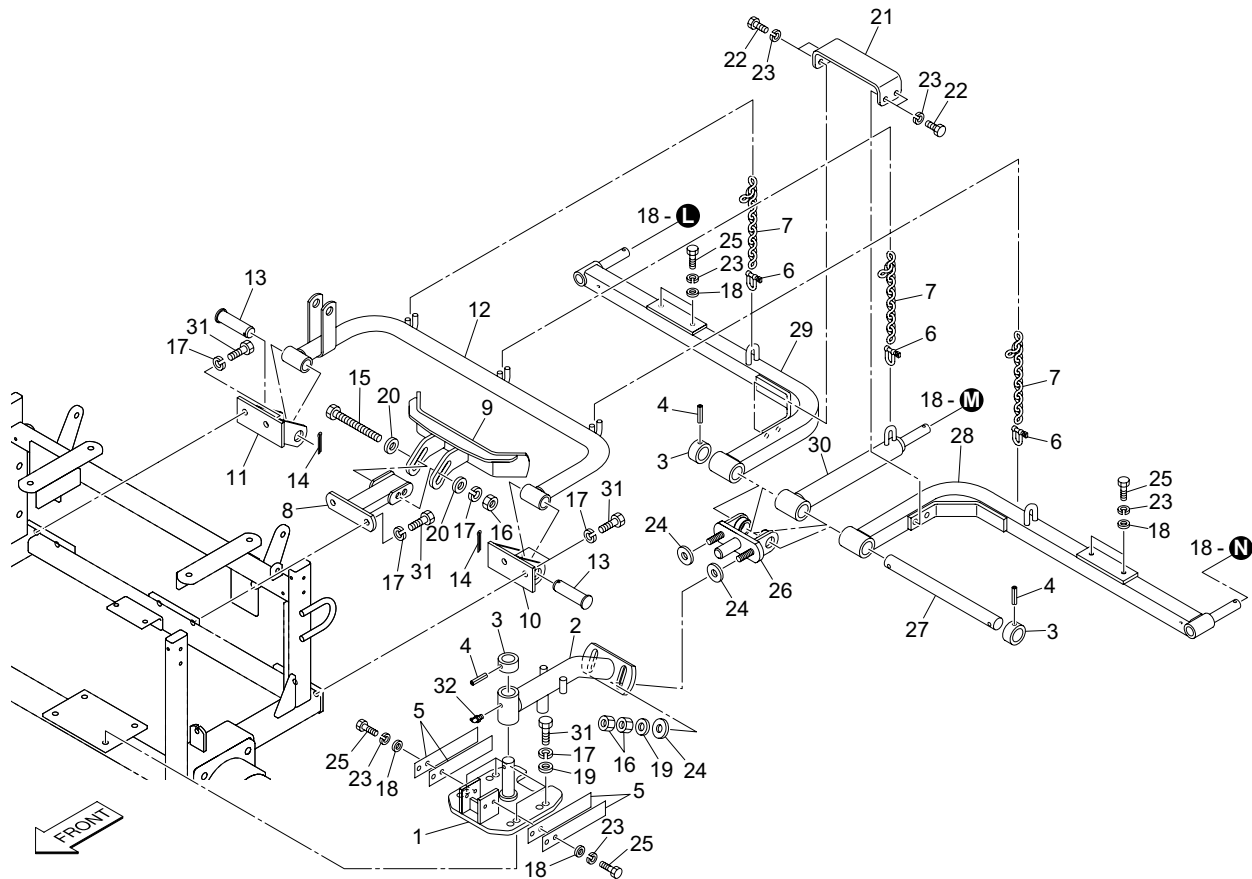
Cat No.	Code No.	Part name	Qty	Remark	SN of application
16 - 1	SP05---0401AD-Y	TANK, HYDRAULIC	1		
16 - 2	K1400000046-Y	GAUGE, OIL G3/4 TYPE M	1		21029-21674
16 a- 2	K1400000076-Y	GAUGE, OIL G3/4 TYPE MG	1		21675-
16 - 3	K1310000140	CAP, OIL KRM-A4	1		
16 - 4	K1422106001-Y	PLUG, TAPERED W/HEX HOLE T1 3/8	1		
16 - 5	K4011000330	PACKING, OIL-SHEET 0.8-4575	1		
16 - 6	SP05---0402Z2-Y	MOUNT, BREATHER	1		
16 - 7	K1430000030	BREATHER, AIR AP-02	1		
16 - 8	SP05---0410BD	BRACKET, OIL COOLER	1		
16 - 9	K4033000510	RUBBER, PLATE 2-60200	2		
16 - 10	K3430000040	OIL COOLER	1		
16 - 11	K0881014000	O-RING, P14B	6		
16 - 12	K3001090002-Y	ELBOW, 90 1033-9	2		
16 - 13					
16 - 14	K3008000032-Y	ELBOW, ADJUSTABLE 90 1086-9	3		
16 - 15	K3008000052-Y	ELBOW, ADJUSTABLE 90 1086-19	2		
16 - 16	K3009000142-Y	ADAPTER, PF3/8PF3/8	3		
16 - 17	K3025064062-Y	ADAPTER, FOR PIPE 064-06	1		
16 - 18	K3100610390	HOSE, WP35-19-1-390	1		
16 - 19	K3192001900	TUBE, SPIRAL SP-20 190	1		
16 - 20					
16 - 21					
16 - 22	K3101331030	HOSE, WP70-9-3-1030	1		
16 - 23	K3191008800	TUBE, SPIRAL SP-15 880	1		
16 - 24	K3101331290	HOSE, WP70-9-3-1290	1		
16 - 25	K3191011400	TUBE, SPIRAL SP-15 1140	1		
16 - 26	K3102330320	HOSE, WP105-9-3-320	1		
16 - 27	K3191001700	TUBE, SPIRAL SP-15 170	1		
16 - 28	K3102331050	HOSE, WP105-9-3-1050	1		
16 - 29	K3191009000	TUBE, SPIRAL SP-15 900	1		



* 2WD only

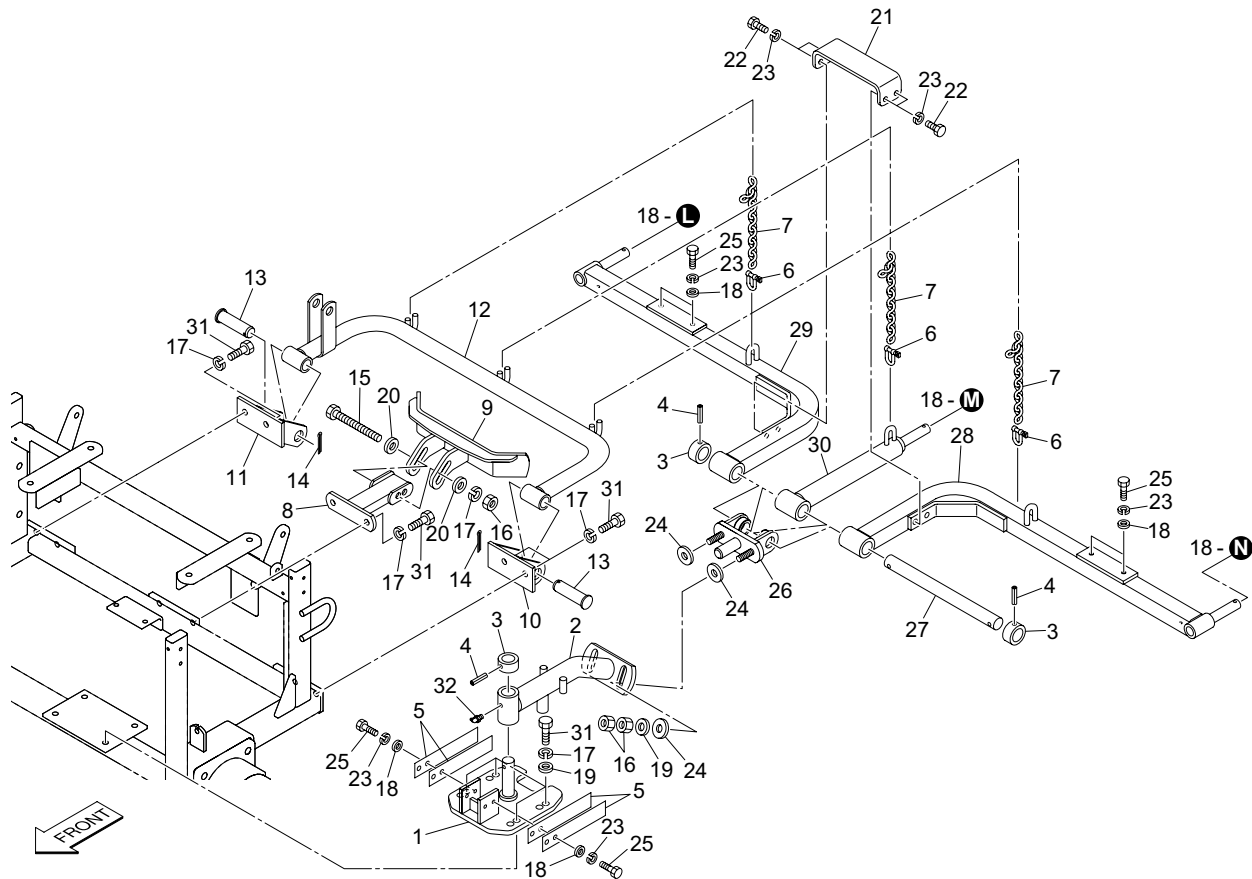
SP05A_16_z04

Cat No.	Code No.	Part name	Qty	Remark	SN of application
16 - 30	K0000060152	BOLT, M6-15	4		
16 - 31	K0000080152	BOLT, M8-15	4		
16 - 32	K0200060002	WASHER, SPRING M6	4		
16 - 33	K0881024000	O-RING, P24B	2		
16 - 34	K0100080002	NUT, M8	4		
16 - 35	K0200080002	WASHER, SPRING M8	8		
16 - 36	K0000080152	BOLT, M8-15	4		
16 - 37	K5000080002	WASHER, M8	4		
16 - 38	K0000100152	BOLT, M10-15	2		
16 - 39	K0200100002	WASHER, SPRING M10	2		
16 - 40	K3007000022-Y	ADAPTER, ODD SIZED PT1/2*PF3/8	2		
16 - 41	K3008000972-Y	ELBOW, UNION G3/8	2		
16 - 42	K3101330410	HOSE, WP70-9-3-410	1		
16 - 43	K3191003100	TUBE, SPIRAL SP-15 310	1		
16 - 44	K0922040000	SEAL, WASHER 4WF	1		
16 - 45	K1430000060	ELEMENT, AIR P-AP-02-20U	1		
16 - 46	K3661000250	PLUG, FIXING HOLE	1	2WD	21932-
16 - 47	K0900300090	GROMMET, W/SEALING	1	2WD	21932-



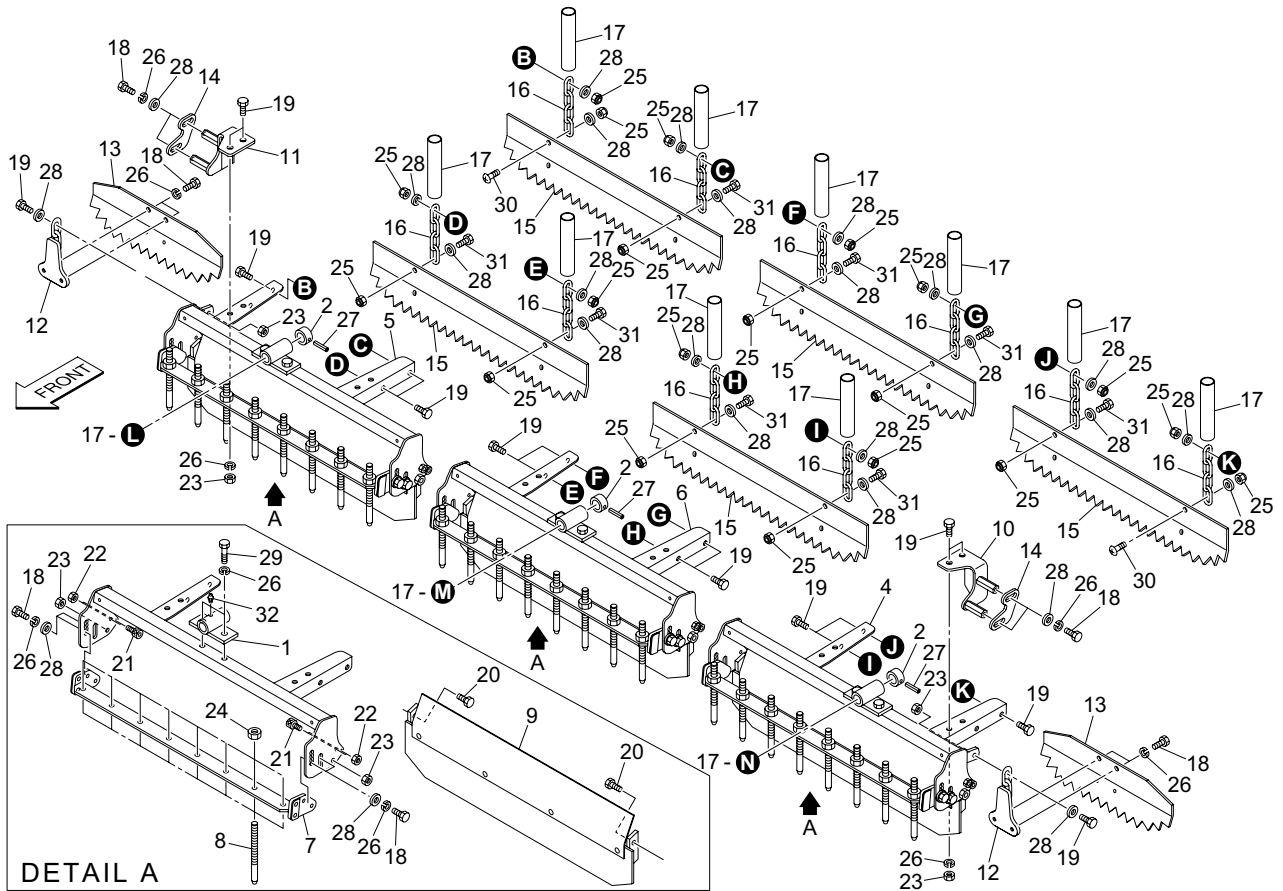
SP05A_17_z01

Cat No.	Code No.	Part name	Qty	Remark	SN of application
17 - 1	SP05---0701ZD	FULCRUM, RAKE	1		
17 - 2	SP05---0702AD	PIPE, RAKE FULCRUM	1		
17 - 3	K6215000212	COLLAR, STKM W/HOLE M20-30-17	3		
17 - 4	K0324060321	PIN, SPIRAL M6-32	3		
17 - 5	K1090000110	SPRING, PLATE M2-40200	4		
17 - 6	K0410800002	SHACKLES, M8	3		
17 - 7	K4535000022	CHAINS, CROSS LINK B6-8	3		
17 - 8	SP05---0724ZD	STAY, RAKE FIXTURE	1		
17 - 9	SP05---0725ZD	FIXTURE, RAKE	1		
17 - 10	SP165--0602ZD	BRACKET, DOZER BLADE ARM (LH)	1		
17 - 11	SP165--0603ZD	BRACKET, DOZER BLADE ARM (RH)	1		
17 - 12	SP05---0727ZD	ARM, HANGING RAKE	1		
17 - 13	K6031200702	PIN, FLAT HEAD HT M20-70	2		
17 - 14	K0300040322	PIN, COTTER M4-32	2		
17 - 15	K0000100802	BOLT, M10-80	1		
17 - 16	K0100100002	NUT, M10	5		
17 - 17	K0200100002	WASHER, SPRING M10	11		
17 - 18	K5000080002	WASHER, M8	8		
17 - 19	K5000100002	WASHER, M10	6		
17 - 20	K5073210262	WASHER, SPHC 3.2-10-26	2		
17 - 21	SP05---0707ZD	FITTING, U-SHAPED 160	1		
17 - 22	K0010080152	BOLT, HT M8-15	4		
17 - 23	K0200080002	WASHER, SPRING M8	12		
17 - 24	K5051010260	WASHER, C5191P 1-10-26	4		
17 - 25	K0000080202	BOLT, M8-20	8		
17 - 26	SP05---0729AD	FULCRUM, SWINGING RAKE	1		
17 - 27	SP05---0730Z0	SHAFT, RAKE M20-194	1		
17 - 28	SP05---0731ZD	PIPE, RAKE (LH)	1		
17 - 29	SP05---0732ZD	PIPE, RAKE (RH)	1		
17 - 30	SP05---0733ZD	PIPE, RAKE (MIDDLE)	1		



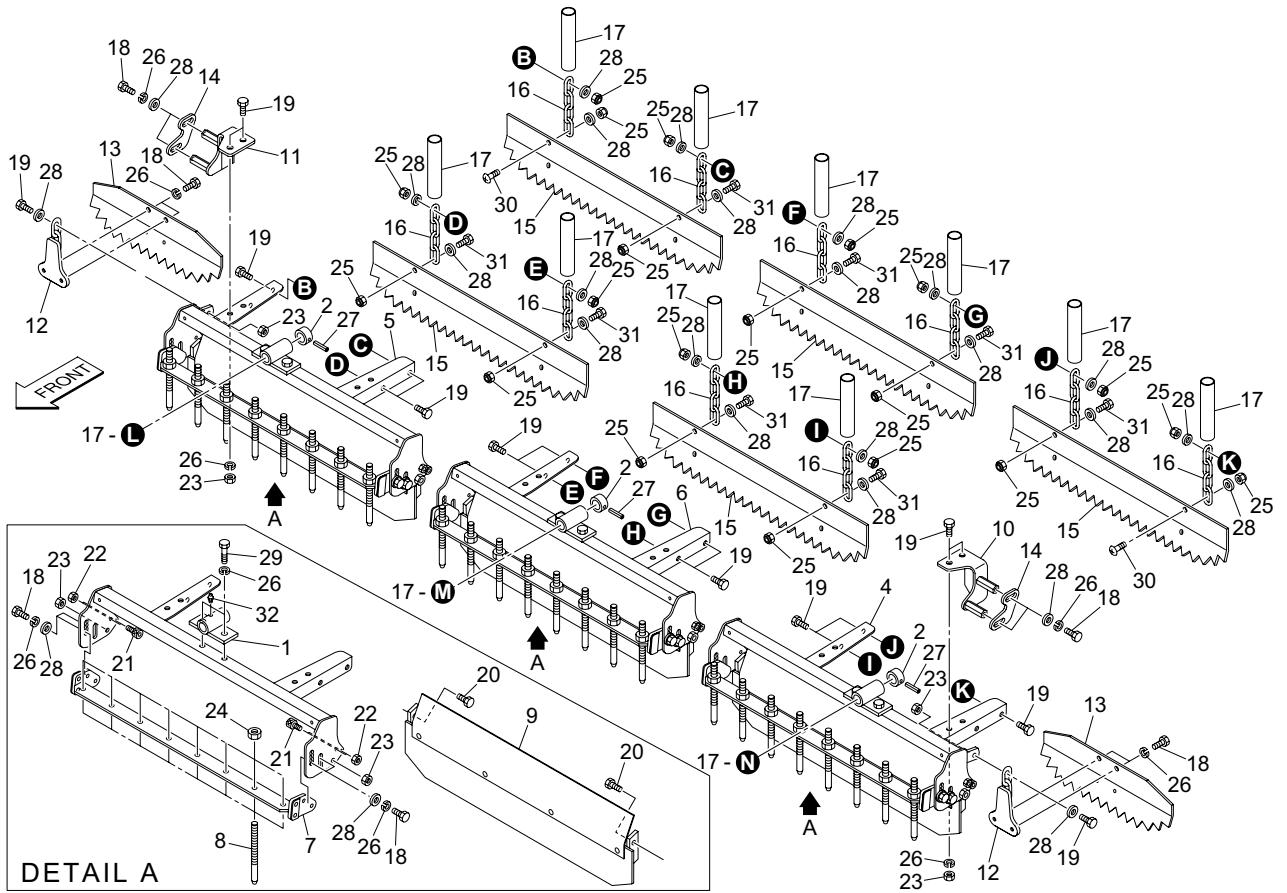
SP05A_17_z01

Cat No.	Code No.	Part name	Qty	Remark	SN of application
17 - 31	K0000100202	BOLT, M10-20	10		
17 - 32	K1440000030	GREASE NIPPLE, TYPE B	1		



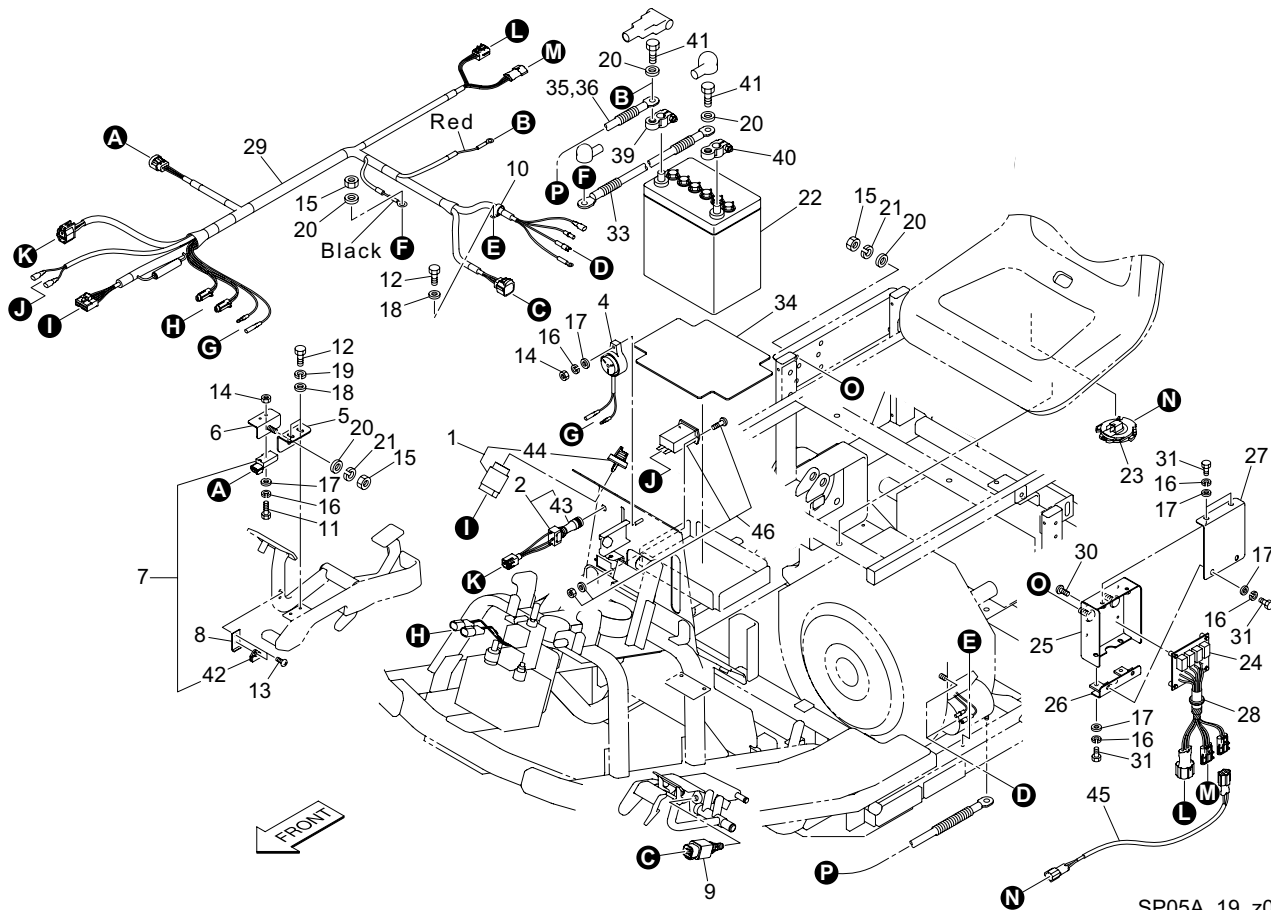
SP05A_18_z02

Cat No.	Code No.	Part name	Qty	Remark	SN of application
18 - 1	SP05---0711BD	BRACKET, RAKE	3		
18 - 2	K6215000222	COLLAR, STKM W/HOLE M16-25-13	3		
18 - 3					
18 - 4	SP05---0713AD	FRAME, RAKE (LH)	1		
18 - 5	SP05---0714AD	FRAME, RAKE (RH)	1		
18 - 6	SP05---0715AD	FRAME, RAKE (CENTER)	1		
18 - 7	SP05---0716ZD	BRACKET, FORK	3		
18 - 8	K6175000218	BAR, THREADED FORK PRONG	24		
18 - 9	SP05---0717AD	RUNNERS	3		
18 - 10	SP05---0718ZD	GUIDE, SIDE SMOOTHER (LH)	1		
18 - 11	SP05---0719ZD	GUIDE, SIDE SMOOTHER (RH)	1		
18 - 12	SP05---0720ZD	BRACKET, SIDE SMOOTHER	2		
18 - 13	SP05---0723AD	PLATE, SIDE SMOOTHER 20-15	2		
18 - 14	SP05---0721ZD	PLATE, STOPPER	2		
18 - 15	SP05---0722ZD	PLATE, SMOOTHER 20-15 DEG	5		
18 - 16	K4532000012	CHAINS, GENERAL USE 4.8-4LINKS	10		21029-22008
18 a- 16	K4532000142	CHAINS, GENERAL USE 5-4LINKS	10		22009-
18 - 17	K3172200800	HOSE, VINYL 19*23-80	10		
18 - 18	K0000080152	BOLT, M8-15	20		
18 - 19	K0000080202	BOLT, M8-20	16		
18 - 20	K0010080202	BOLT, HT M8-20	6		
18 - 21	K0060060120	BOLT, SUS W/HEX HOLE M6-12	12		
18 - 22	K0100060002	NUT, M6	12		
18 - 23	K0100080002	NUT, M8	12		
18 - 24	K0100100002	NUT, M10	24		
18 - 25	K0144080002	NUT, W/F-RING M8	20		
18 - 26	K0200080002	WASHER, SPRING M8	30		
18 - 27	K0320050251	PIN, SPRING M5-25	3		
18 - 28	K5000080002	WASHER, M8	38		
18 - 29	K0010080402	BOLT, HT M8-40	6		



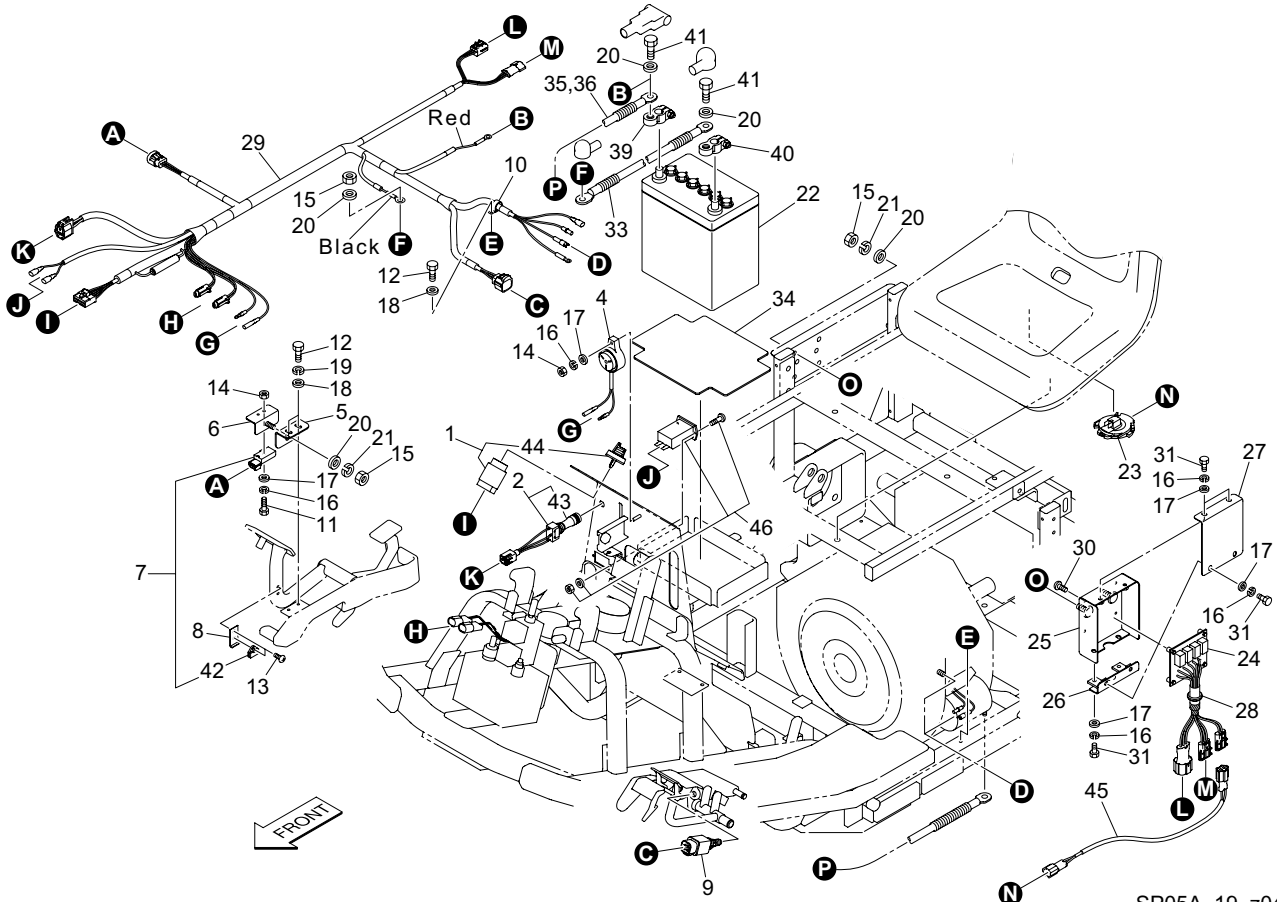
SP05A_18_z02

Cat No.	Code No.	Part name	Qty	Remark	SN of application
18 - 30	K0056080300	SCREW, SUS + TRUSS M8-30	2		
18 - 31	K0000080252	BOLT, M8-25	8		
18 - 32	K1440000010	GREASE NIPPLE, STRAIGHT TYPE A	3		



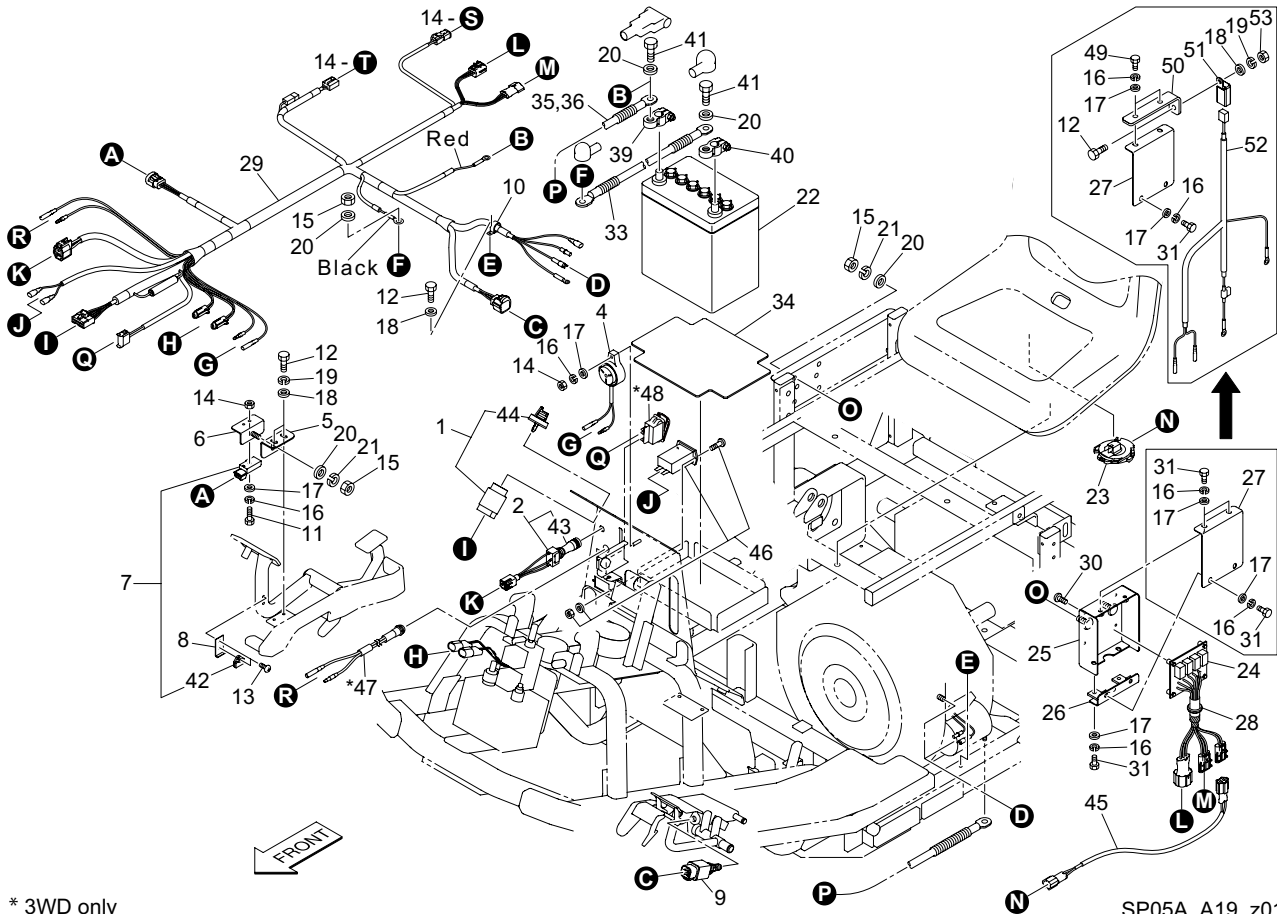
SP05A_19_z04

Cat No.	Code No.	Part name	Qty	Remark	SN of application
19 - 1	K3660000050	SWITCH, MAIN	1		
19 - 2	K3662000160	SWITCH, TOGGLE FOR AUTO RETURN	1		
19 - 3					
19 - 4	K3700000010	BUZZER, EBM-12 TYPE	1		
19 - 5	SP05---0603ZD	PLATE, POSITIONING SENSOR	1		
19 - 6	SP05---0602ZD	BRACKET, SENSOR	1		
19 - 7	K3720000140	SWITCH, PROXIMITY NC V-out	1		
19 - 8	SP05---0605Z2	BRACKET, MAGNET	1		
19 - 9	K3671000160	SWITCH, LIMIT 2 CIRCUIT NO	1		
19 - 10	K4270022060	CLIP, HARNESS 22 M6	1		
19 - 11	K0000050202	BOLT, M5-20	1		
19 - 12	K0000060152	BOLT, M6-15	3		
19 - 13	K0048050102	SCREW, + ROUND HEAD W/SW M5-10	2		
19 - 14	K0100050002	NUT, M5	2		
19 - 15	K0100080002	NUT, M8	4		
19 - 16	K0200050002	WASHER, SPRING M5	8		
19 - 17	K5000050002	WASHER, M5	8		
19 - 18	K5000060002	WASHER, M6	3		21029-21951
19 - 19	K0200060002	WASHER, SPRING M6	2		21029-21951
19 - 20	K5000080002	WASHER, M8	6		
19 - 21	K0200080002	WASHER, SPRING M8	3		
19 - 22	K3600000220	BATTERY, FB9000-46B19R	1		
19 - 23	K1701000140	SWITCH, SEAT NC C7247AS	1		
19 - 24	SP05---2605Z0	BOARD ASSY, SAFETY CIRCUIT	1		
19 - 25	SP05---2601ZD	CASE, SUBSTRATE	1		
19 - 26	SP05---2602ZD	COVER, CASE A	1		
19 - 27	SP05---2603ZD	COVER, CASE B	1		
19 - 28	K0910000110	GROMMET, NG-79-J	1		
19 - 29	SP05A--0601A0	HARNESS, MAIN	1		
19 - 30	K0044030082	SCREW, + ROUND HEAD W/SW M3-8	4		



SP05A_19_z04

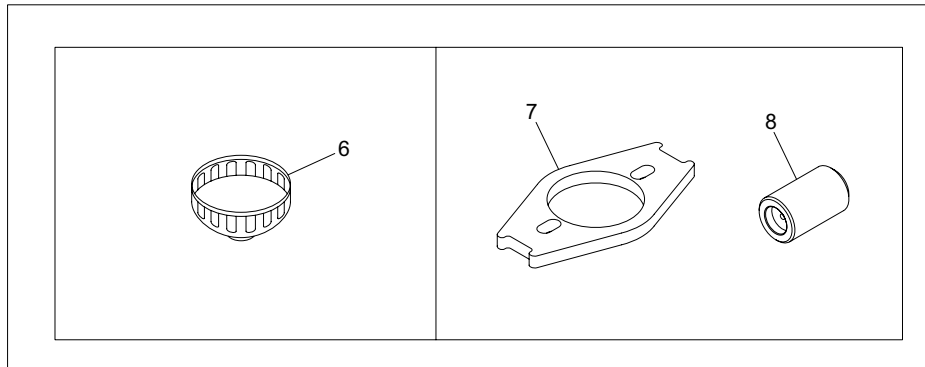
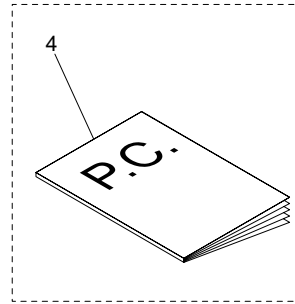
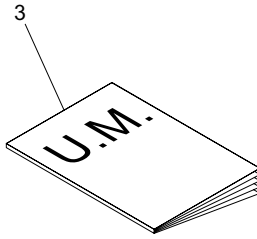
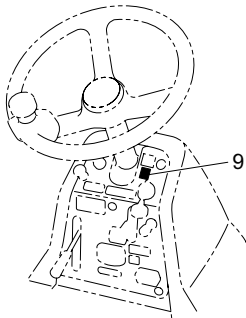
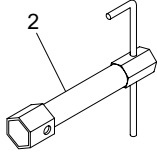
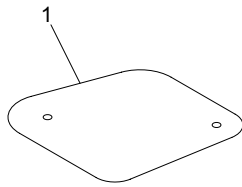
Cat No.	Code No.	Part name	Qty	Remark	SN of application
19 - 31	K0000050102	BOLT, M5-10	6		21029-21951
19 - 32					
19 - 33	K3611000440	WIRE, TO EARTH 300	1		21029-21917
19 a- 33	K3611000790	WIRE, TO EARTH 300	1		21918-
19 - 34	K4033000530	RUBBER, BATTERY MOUNT	1		
19 - 35	K3610000570	WIRE, BATTERY (+) 1350	1		21029-21917
19 a- 35	K3610000890	WIRE, BATTERY (+) 1350	1		21918-
19 - 36	K3194112900	TUBE, CORRUGATED M10-1290	1		
19 - 37					
19 - 38					
19 - 39	K3612000090	TERMINAL, BATTERY (+) 4013-39-1	1		
19 - 40	K3612000100	TERMINAL, BATTERY (-) 4013-39-2	1		
19 - 41	K0000080152	BOLT, M8-15	2		
19 - 42	K1510000110	MAGNET, W/PLASTIC BASE	1		
19 - 43	K3662000030-1	CAP, RUBBER FOR AUTORETURN SWITCH ET115G	1		
19 - 44	K3660000050-1	KEY, MAIN SWITCH	1		
19 - 45	K3620001100	WIRE, SEAT SWITCH	1		
19 - 46	K3650000130	HOUR METER, 636DC	1		



* 3WD only

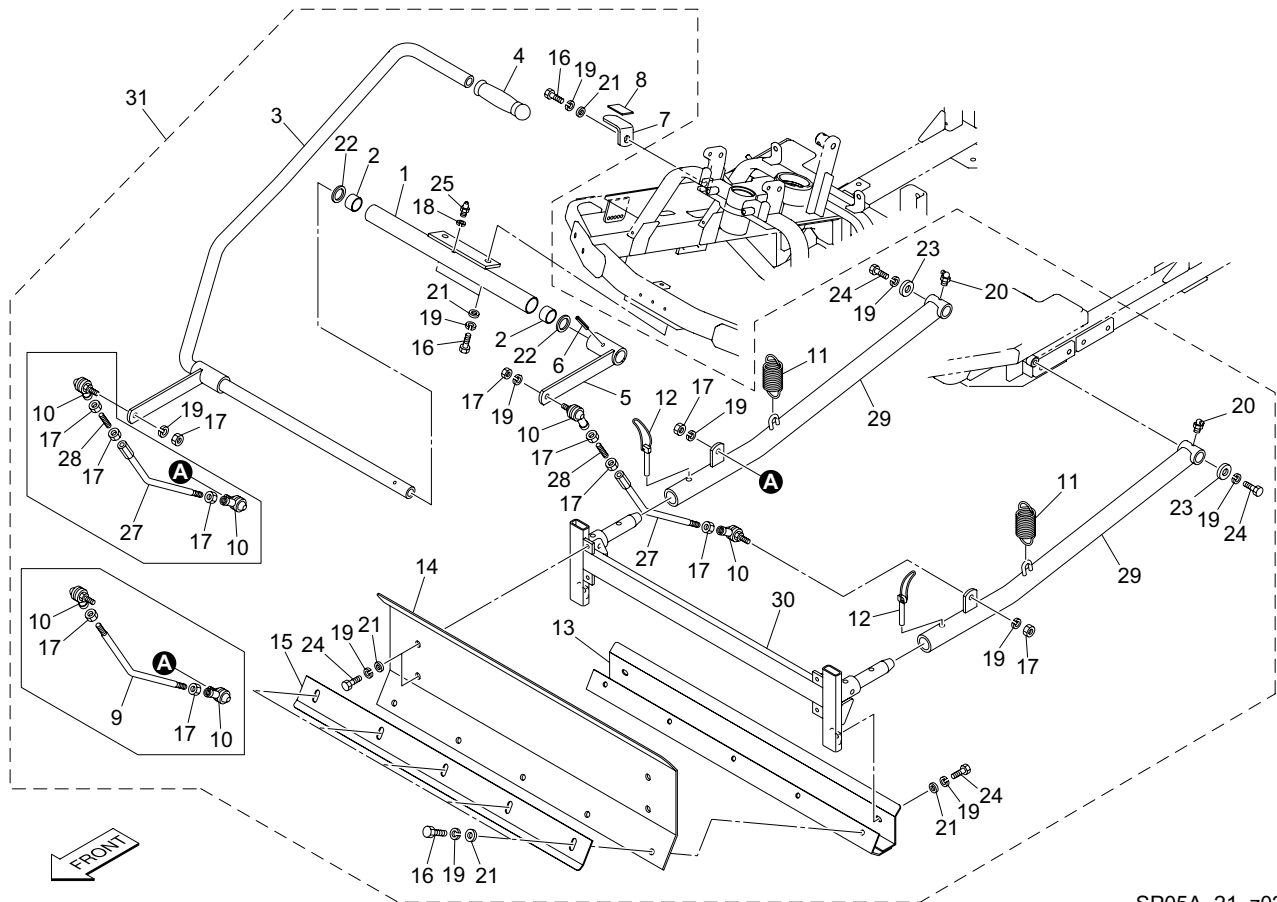
SP05A_A19_z01

Cat No.	Code No.	Part name	Qty	Remark	SN of application
A19 a- 29	SP05A--0602Z0	HARNESS, MAIN	1		
A19 - 30	K0044030082	SCREW, + ROUND HEAD W/SW M3-8	4		
A19 - 31	K0000050102	BOLT, M5-10	6		21029-21951
A19 a- 31	K0000050102	BOLT, M5-10	4		21952-
A19 - 32					
A19 a- 33	K3611000790	WIRE, TO EARTH 300	1		21918-
A19 - 34	K4033000530	RUBBER, BATTERY MOUNT	1		
A19 a- 35	K3610000890	WIRE, BATTERY (+) 1350	1		21918-
A19 - 36	K3194112900	TUBE, CORRUGATED M10-1290	1		
A19 - 37					
A19 - 38					
A19 - 39	K3612000090	TERMINAL, BATTERY (+) 4013-39-1	1		
A19 - 40	K3612000100	TERMINAL, BATTERY (-) 4013-39-2	1		
A19 - 41	K0000080152	BOLT, M8-15	2		
A19 - 42	K1510000110	MAGNET, W/PLASTIC BASE	1		
A19 - 43	K3662000030-1	CAP, RUBBER FOR AUTORETURN SWITCH ET115G	1		
A19 - 44	K3660000050-1	KEY, MAIN SWITCH	1		
A19 - 45	K3620001100	WIRE, SEAT SWITCH	1		
A19 - 46	K3650000130	HOUR METER, 636DC	1		
A19 - 47	K3661000240	SWITCH, LOCKER (ON-ON)	1	3WD	
A19 - 48	K3641000080	LAMP, WORKING LED GREEN	1	3WD	
A19 - 49	K0000050152	BOLT, M5-15	2		21952-
A19 - 50	SP05A--0604ZD	BRACKET, RELAY	1		21952-
A19 - 51	K3681000090	RELAY, ACA12135	1		21952-
A19 - 52	SP05A--0603Z0	HARNESS, STARTER RELAY	1		21952-
A19 - 53	K0100060002	NUT, M6	1		21952-



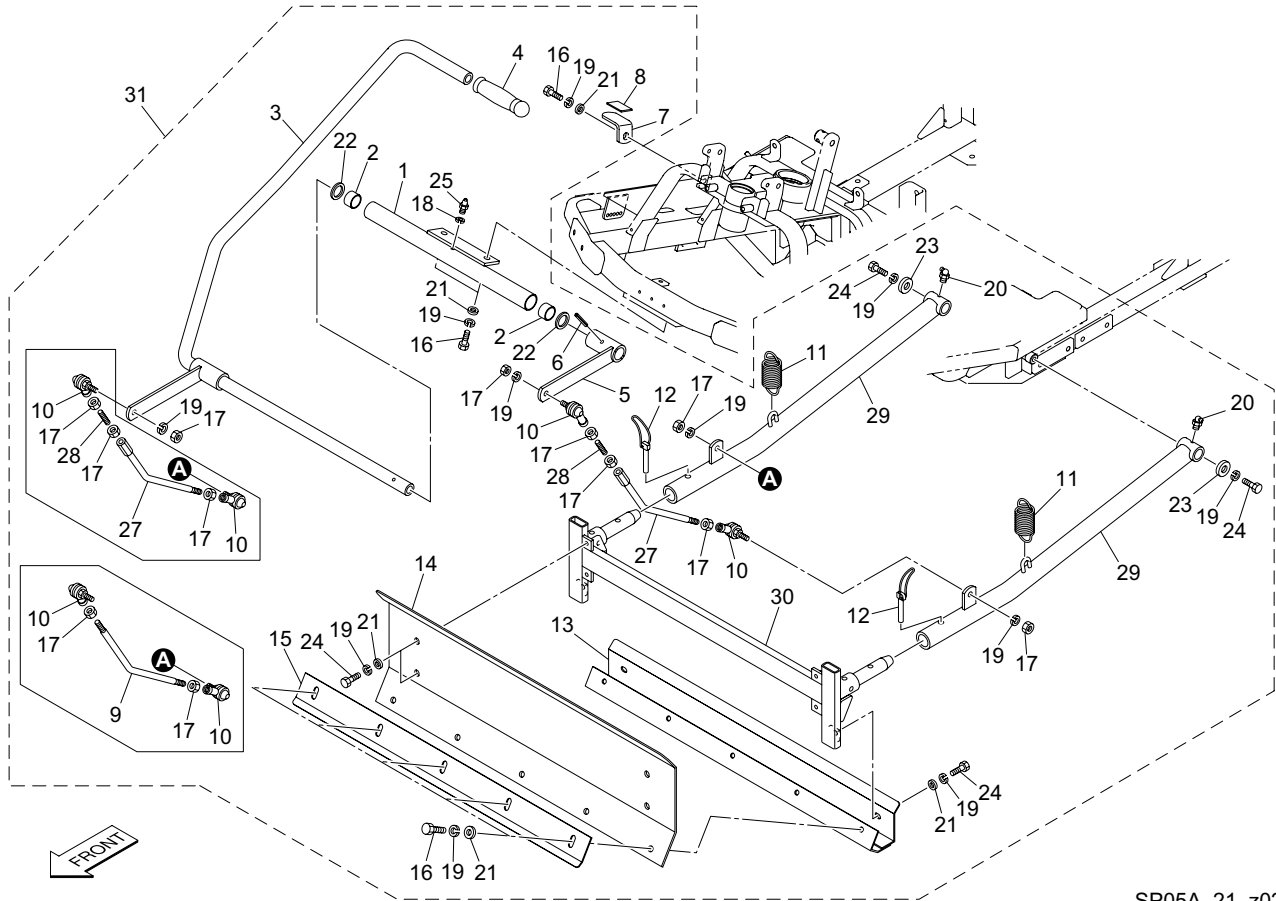
SP05A_20_z05

Cat No.	Code No.	Part name	Qty	Remark	SN of application
20 - 1	SP05---1501Z0	RUBBER, CARGO BOX	1		
20 - 2	K4817000020	WRENCH, PLUG 5/8-70	1		21029-21236
20a - 2	K4817000030	WRENCH, PLUG 16-80	1		21237-
20a - 3	SP05A---UM--GBZ	O-MANUAL, SP05A GB-EN	1		
20a - 4	SP05A---PC--GBZ	P-CATALOG, SP05A GB-EN	1	Available for sale	
20a - 5					
20 - 6	K4821000010	WRENCH, OIL FILTER 9.5-74	1	option	
20 - 7	K480200044D	TOOL, BRAKE DRUM REMOVER A	1	option	
20 - 8	K4802000452	TOOL, BRAKE DRUM REMOVER B	1	option	
20 - 9	SP05A--1501Z0	DECAL, 2D CODE SP05A	1		21237-



SP05A_21_z02

Cat No.	Code No.	Part name	Qty	Remark	SN of application
21 - 1	SP05---0801AD	PIPE, DOZER BLADE LEVER FULCRUM	1		
21 - 2	K6000000390	BUSH, COPPER 25.4-30.2-20	2		
21 - 3	SP05---0802BD	LEVER, DOZER BLADE	1		
21 - 4	K1300000020	GRIP, PLASTIC HANDLE 25.4	1		
21 - 5	SP05---0803ZD	ARM, LEVER	1		
21 - 6	K0320060361	PIN, SPRING M6-36	1		
21 - 7	SP05---0807ZD	PLATE, SUPPORTING ARM	1		
21 - 8	K4033000540	RUBBER, PLATE 3-2535	1		
21a- 9	SP05---0804Z2	SHAFT, CONNECTING	2	old type	
21 - 10	K1604100000	JOINT, SPHERICAL LHSA10DE146	4		
21 - 11	K103000026D	SPRING, W/U HOOK M2.9-38-95	2		
21 - 12	K0450000028	PIN, DELTA M9	2		
21 - 13	SP160E-3802ZD	PLATE, SUPPORTING DOZER BLADE	1		
21 - 14	SP160E-3804ZD	PLATE, DOZER BLADE (LARGE)	1		
21 - 15	SP160E-3806ZD	PLATE, DOZER BLADE (SMALL)	1		
21 - 16	K0000100252	BOLT, M10-25	8		
21 - 17	K0100100002	NUT, M10	10	new type	
21a- 17	K0100100002	NUT, M10	8	old type	
21 - 18	K0200060002	WASHER, SPRING M6	1		
21 - 19	K0200100002	WASHER, SPRING M10	20		
21 - 20	K1440000020	GREASE NIPPLE, TYPE C	2		
21 - 21	K5000100002	WASHER, M10	14		
21 - 22	K5051025370	WASHER, C5191P 1-25.4-37	2		
21 - 23	K5073210352	WASHER, SPHC 3.2-10-35	2		
21 - 24	K0000100202	BOLT, M10-20	8		
21 - 25	K1440000010	GREASE NIPPLE, STRAIGHT TYPE A	1		
21 - 26					
21 - 27	SP160EA0812Z2	SHAFT, CONNECTING	2	new type	
21 - 28	K0072000300	SHAFT, SCREWED M10-80	2	new type	
21 - 29	SP160EA0810ZD	ARM, DOZER BLADE	2		

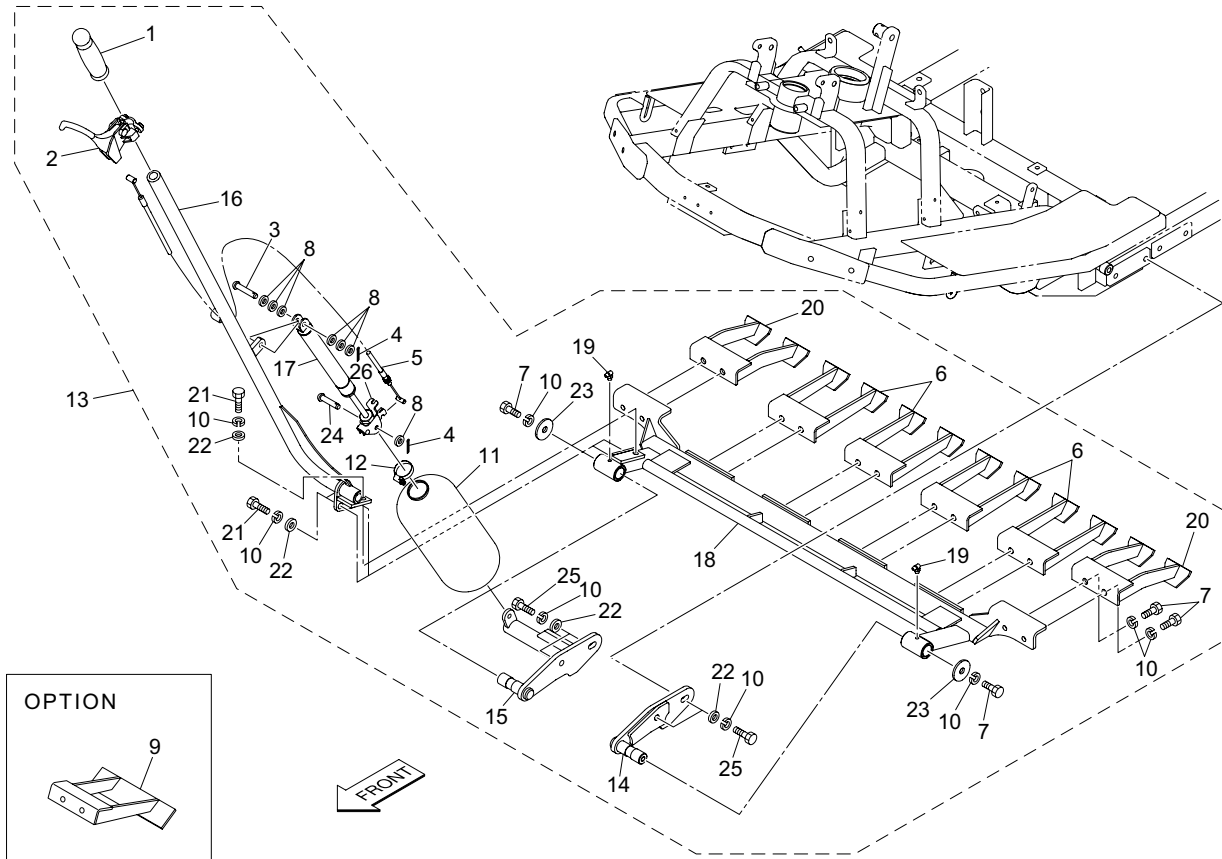


SP05A_21_z02

Cat No.	Code No.	Part name	Qty	Remark	SN of application
21 - 30	SP160EA0811ZD	FRAME, DOZER BLADE	1		
21 - 31	SP160EA0820Z0	FRONT BLADE ASSY	1	option	

22. Sand cultivator section

SP05A

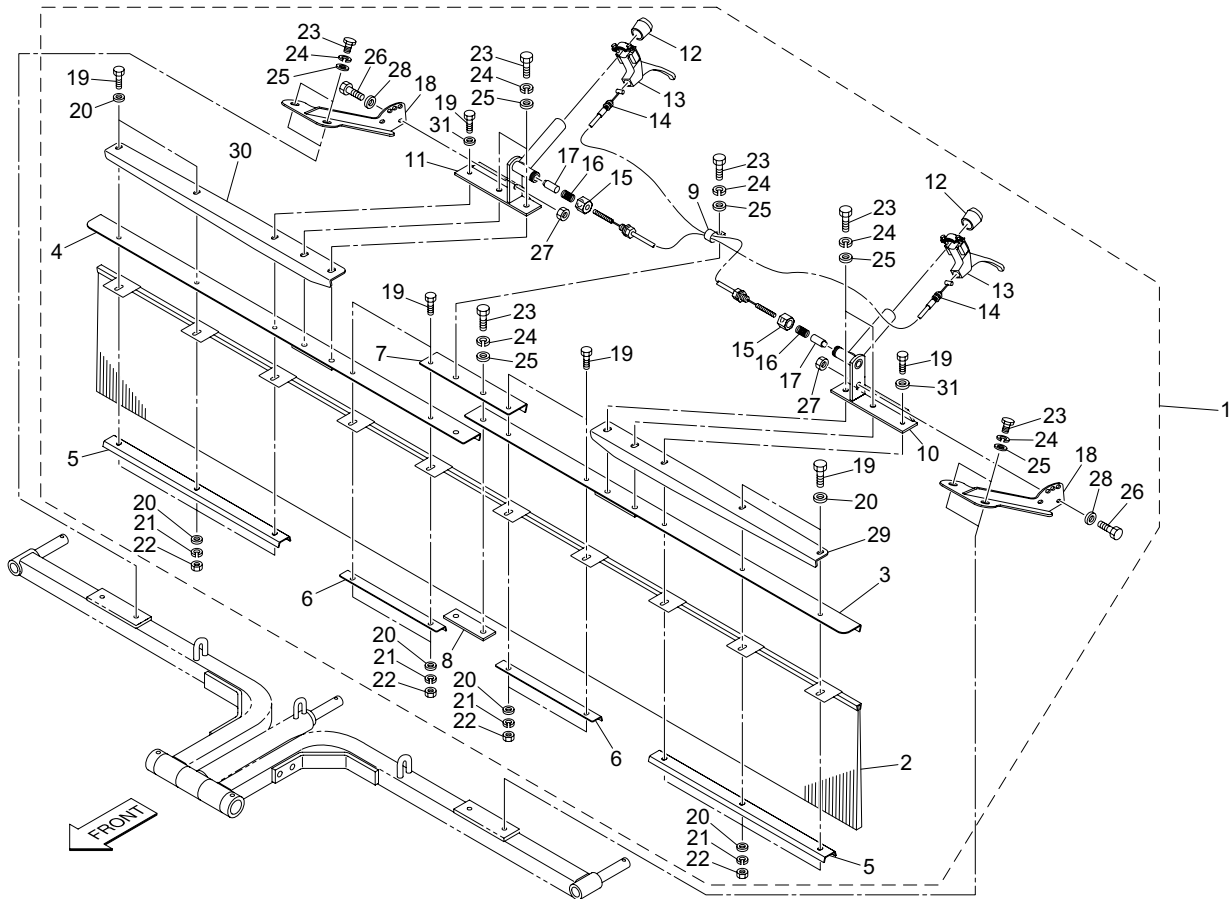


SP05A_22_z03

Cat No.	Code No.	Part name	Qty	Remark	SN of application
22 - 1	K1300000020	GRIP, PLASTIC HANDLE 25.4	1		
22 - 2	K1211460000	LEVER, CLUTCH E146000	1		
22 - 3	K6041080428	PIN, ROUND HEAD HT M8-42	1		
22 - 4	K0300025202	PIN, COTTER M2.5-20	2		
22 - 5	K1160082000	WIRE, ADJUSTING CULTIVATOR 820	1		
22 - 6	SP05---0909ZD	TOOTH, TRAPEZOIDAL (CULTIVATOR)	4		
22 - 7	K0000100202	BOLT, M10-20	14		
22 - 8	K5000080002	WASHER, M8	7		
22 - 9	SP05---0910ZD	TOOTH, FLAT (CULTIVATOR)	6		
22 - 10	K0200100002	WASHER, SPRING M10	21		
22 - 11	SP05---0912Z0	COVER, GAS SPRING	1		
22 - 12	K4260000190	CLAMP, HOSE JUBILEE BAND 1	1		
22 - 13	SP05---0930B0	SAND CULTIVATOR ASSY	1	option	
22 - 14	SP05---0931AD	FULCRUM, (LH)	1		
22 - 15	SP05---0932BD	FULCRUM, (RH)	1		
22 - 16	SP05---0933BD	LEVER, CULTIVATOR	1		
22 - 17	K3381000040	GAS-SPRING, FLF90-25	1		
22 - 18	SP05---0934ZD	ARM, CULTIVATOR	1		
22 - 19	K1440000020	GREASE NIPPLE, TYPE C	2		
22 - 20	SP05---0935ZD	TOOTH, TRAPEZOIDAL SIDE (CULTIVATOR)	2		
22 - 21	K0000100252	BOLT, M10-25	3		
22 - 22	K5000100002	WASHER, M10	7		
22 - 23	K5073210352	WASHER, SPHC 3.2-10-35	2		
22 - 24	K6041080258	PIN, ROUND HEAD M8-25.6	1		
22 - 25	K0000100302	BOLT, M10-30	4		
22 - 26	K3381000040-1	L BRACKET 1152-00309	1		

23. Finishing brush section

SP05A

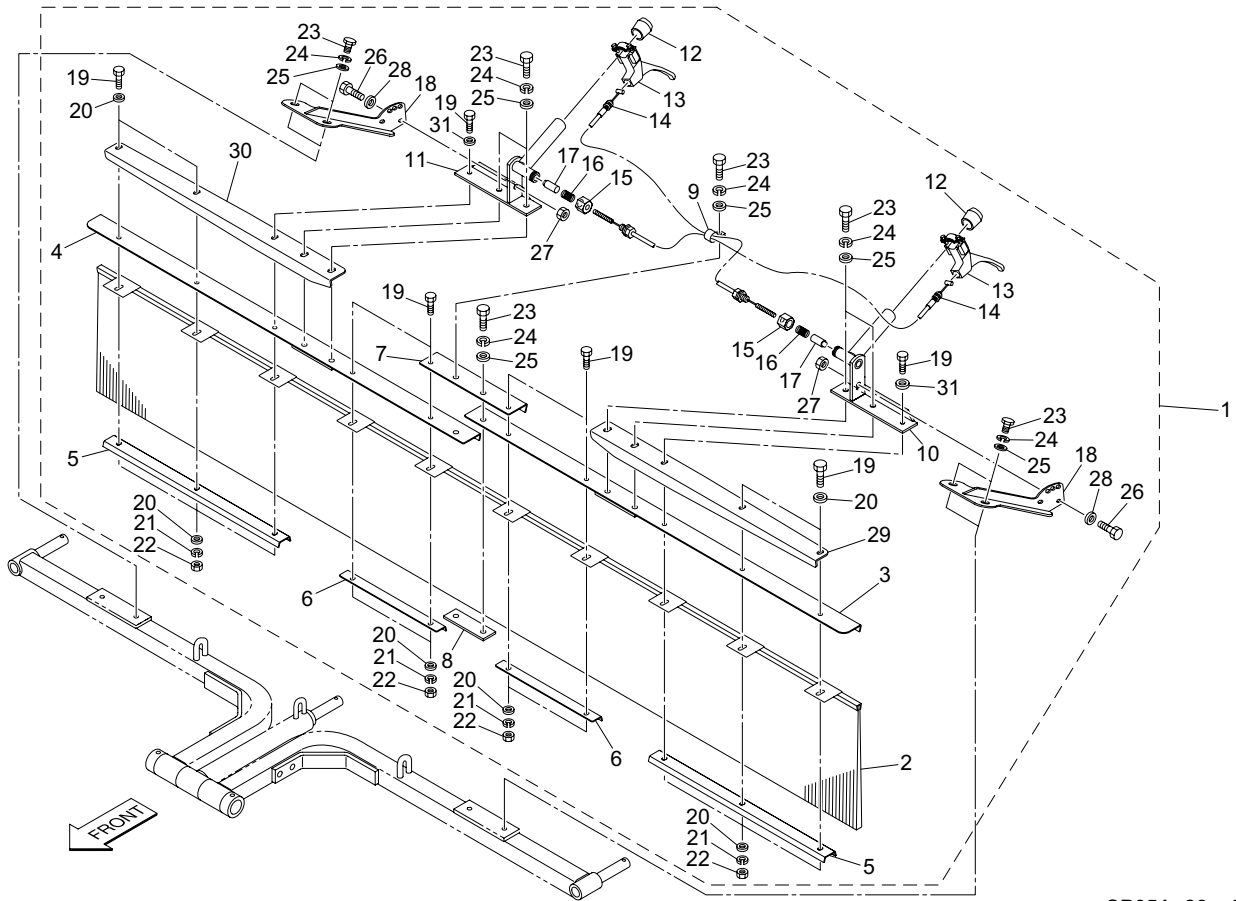


SP05A_23_z03

Cat No.	Code No.	Part name	Qty	Remark	SN of application
23 - 1	SP05---1601B0	BRUSH ASSY, FINISHING MOVABLE	1	option	
23 - 2	SP05---1002Z0	BRUSH, FINISHING 1.0 (NY)	1		
23 - 3	SP05---1005AD	FRAME, BRUSH (LH)	1		
23 - 4	SP05---1004AD	FRAME, BRUSH (RH)	1		
23 - 5	SP05---1010ZD	PLATE, RETAINING BRUSH 450	2		
23 - 6	SP05---1008ZD	PLATE, RETAINING BRUSH 250	2		
23 - 7	SP05---1006ZD	PLATE, CONNECTING BRUSH FRAME	1		
23 - 8	K514200047D	PLATE, 6 W/ 2-M8 2570	1		
23 - 9	K4270020080	CLIP, HARNESS 20 M8	1		
23 - 10	SP05---1602AD	ARM, MOVABLE (LH)	1		
23 - 11	SP05---1603AD	ARM, MOVABLE (RH)	1		
23 - 12	K1310000160	CAP, RUBBER 24	2		
23 - 13	K1211260150	LEVER, CLUTCH E126015	2		
23 - 14	K1160089000	WIRE, ADJUSTING 890	2		
23 - 15	K6084000032	CAP, BODY	2		
23 - 16	K1000000668	SPRING, COMPRESSION M1.4-11.3-40	2		
23 - 17	BG90C-0710Z2	PIN, TAIL WHEEL UP/BTM FIXING PIN	2		
23 - 18	SP05---1604ZD	ARM	2		
23 - 19	K0000060252	BOLT, M6-25	10		
23 - 20	K5000060002	WASHER, M6	14		
23 - 21	K0200060002	WASHER, SPRING M6	10		
23 - 22	K0100060002	NUT, M6	10		
23 - 23	K0000080252	BOLT, M8-25	10		
23 - 24	K0200080002	WASHER, SPRING M8	10		
23 - 25	K5000080002	WASHER, M8	10		
23 - 26	K0000100202	BOLT, M10-20	2		
23 - 27	K0100100002	NUT, M10	2		
23 - 28	K5000100002	WASHER, M10	2		
23 - 29	SP05---1011ZD	PLATE, REINFORCING (LH)	1		
23 - 30	SP05---1012ZD	PLATE, REINFORCING (RH)	1		

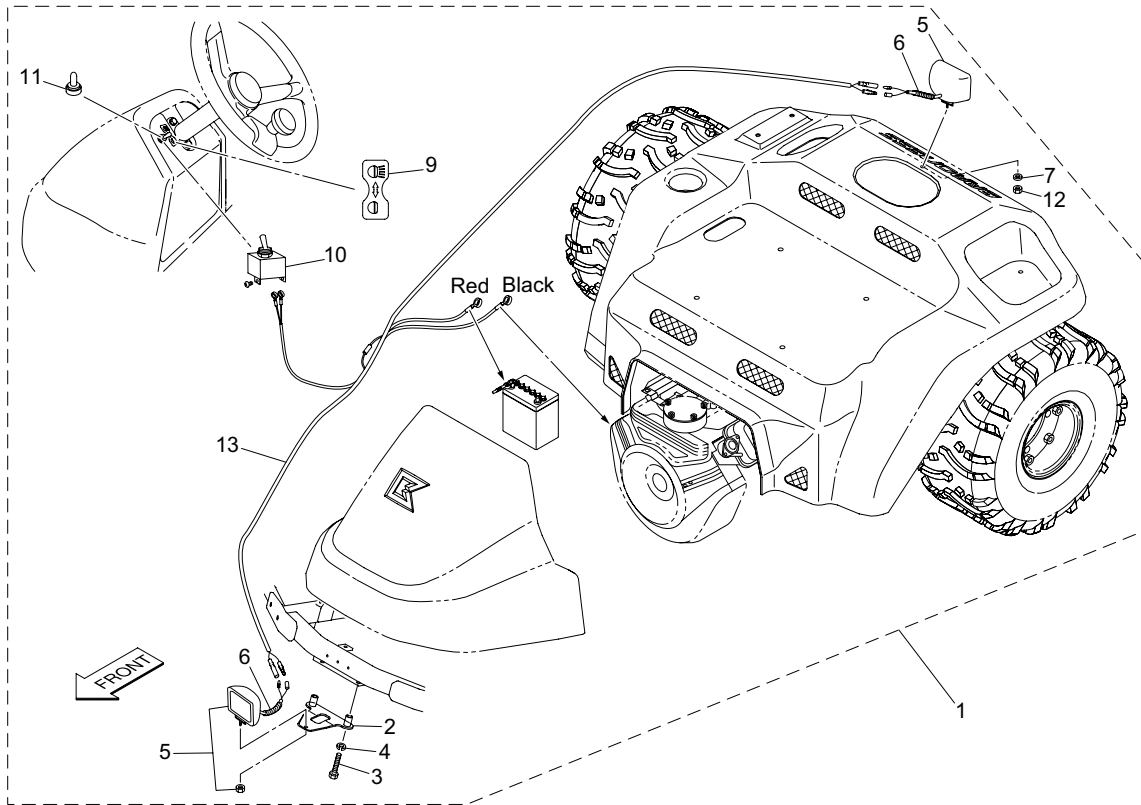
23. Finishing brush section

SP05A



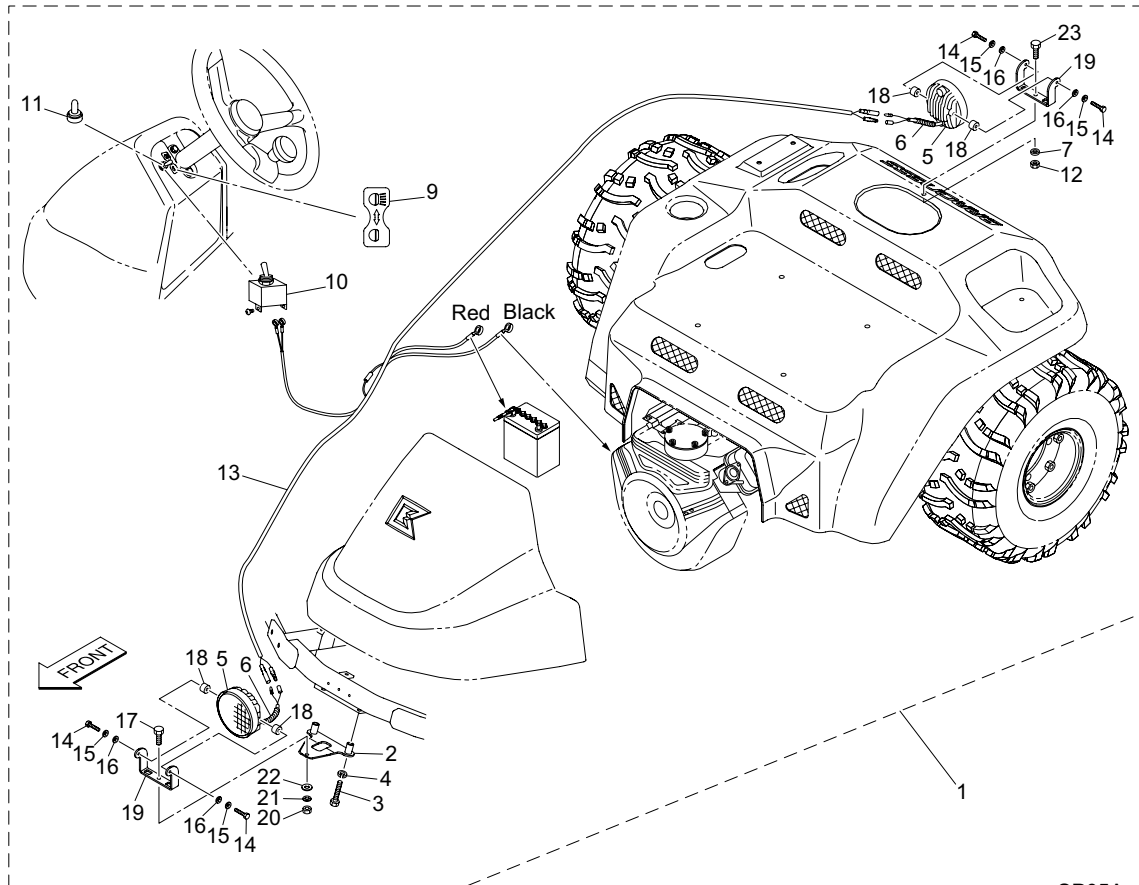
SP05A_23_z03

Cat No.	Code No.	Part name	Qty	Remark	SN of application
23 - 31	K5000060002	WASHER, M6	2		22009-



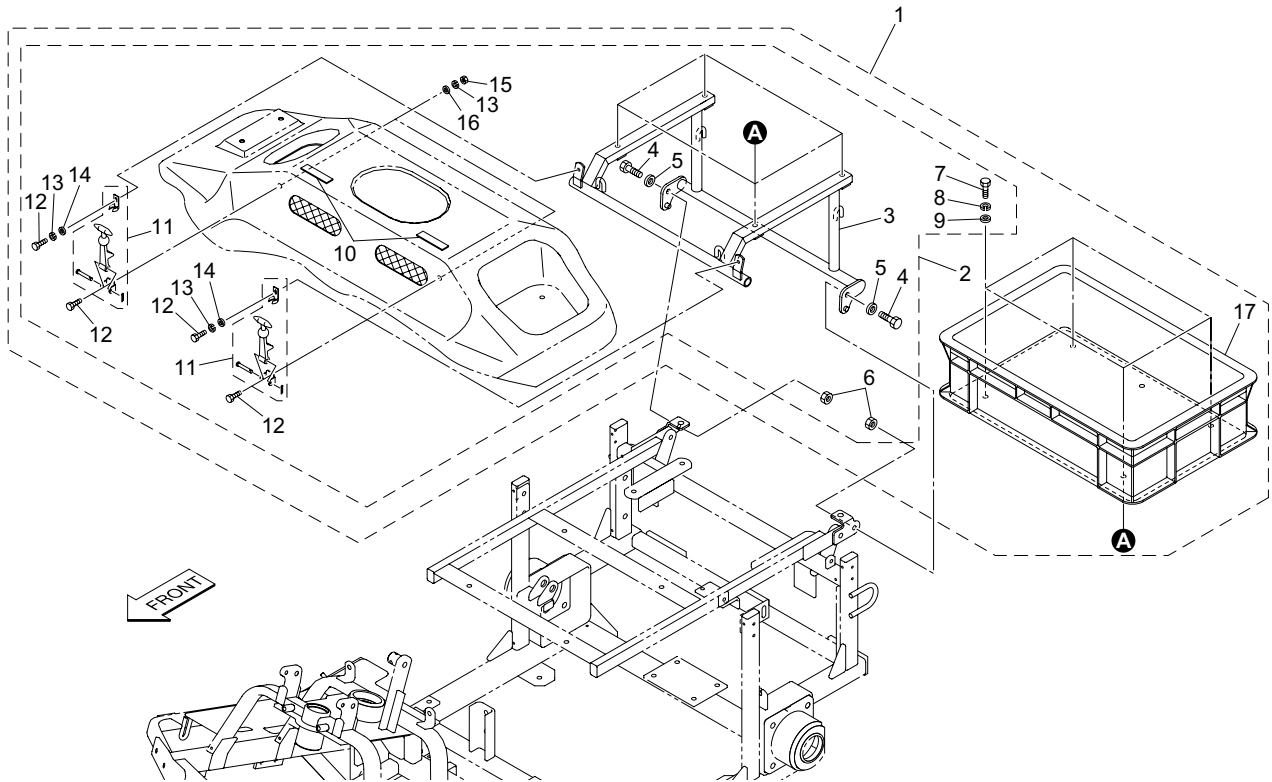
SP05A_24_z03

Cat No.	Code No.	Part name	Qty	Remark	SN of application
24 - 1	SP05A--1101Z0	LAMP & BRACKET ASSY	1	option	21029-21709
24a - 1	SP05A--1101A0	LAMP & BRACKET ASSY	1	option	21710-21729
24 - 2	SP05--1102ZD	BRACKET, LAMP	1		
24 - 3	K0000100552	BOLT, M10-55	2		
24 - 4	K0200100002	WASHER, SPRING M10	2		
24 - 5	K3640000070	LAMP, WORKING WL-B220A	2		21029-21709
24a - 5	K3640000110	LAMP, LED HX-WL014	2		21710-21729
24 - 6	K3194001000	TUBE, CORRUGATED 7-100	2		21029-21709
24a - 6	K3194002700	TUBE, CORRUGATED 7-270	2		21710-21729
24 - 7	K5012308352	WASHER, SPCC 2.3-8-35	1		
24 - 8					
24 - 9	K4203001410	DECAL, LIGHT SWITCH	1		
24 - 10	K3662000060	SWITCH, TOGGLE ST115AT	1		
24 - 11	K4031000300	RUBBER, CAP WD1911	1		
24 - 12	K0144080002	NUT, W/F-RING M8	1		
24 - 13	SP05A--1102A0	HARNESS, LIGHT	1		



SP05A_A24_z00

Cat No.	Code No.	Part name	Qty	Remark	SN of application
A24b - 1	SP05A--1104Z0	LAMP & BRACKET ASSY	1	option	
A24 - 2	SP05---1102ZD	BRACKET, LAMP	1		
A24 - 3	K0000100552	BOLT, M10-55	2		
A24 - 4	K0200100002	WASHER, SPRING M10	2		
A24b - 5	K3640000090	LAMP, LED WORKING NS-2556	2		
A24b - 6	K3194001000	TUBE, CORRUGATED 7-100	2		
A24 - 7	K5012308352	WASHER, SPCC 2.3-8-35	1		
A24 - 8					
A24 - 9	K4203001410	DECAL, LIGHT SWITCH	1		
A24 - 10	K3662000060	SWITCH, TOGGLE ST115AT	1		
A24 - 11	K4031000300	RUBBER, CAP WD1911	1		
A24 - 12	K0144080002	NUT, W/F-RING M8	1		
A24 - 13	SP05A--1102A0	HARNESS, LIGHT	1		
A24 - 14	K0000050252	BOLT, M5-25	4		
A24 - 15	K0200050002	WASHER, SPRING M5	4		
A24 - 16	K5000050002	WASHER, M5	4		
A24 - 17	K0000080202	BOLT, M8-20	1		
A24 - 18	K6212004392	COLLAR, STKM 6-12-12.5	4		
A24 - 19	SP05A--1103ZD	BRACKET, LED	2		
A24 - 20	K0100080002	NUT, M8	1		
A24 - 21	K0200080002	WASHER, SPRING M8	1		
A24 - 22	K5000080002	WASHER, M8	1		
A24 - 23	K0000080252	BOLT, M8-25	1		



SP05A_25_z01

Cat No.	Code No.	Part name	Qty	Remark	SN of application
25 - 1	SP05---1301Z0	CARGO BOX KIT	1	option	
25 - 2	SP05---1302Z0	MOUNT ASSY, CARGO BOX	1		
25 - 3	SP05---1303ZR	MOUNT, CARGO BOX	1		
25 - 4	K0000100252	BOLT, M10-25	2		
25 - 5	K5000100002	WASHER, M10	2		
25 - 6	K0100100002	NUT, M10	2		
25 - 7	K0000080352	BOLT, M8-35	4		
25 - 8	K0200080002	WASHER, SPRING M8	4		
25 - 9	K5012308352	WASHER, SPCC 2.3-8-35	4		
25 - 10	K4033000550	RUBBER, PLATE 3-30120	2		
25 - 11	K1520000030	HOOK ASSY, RUBBER	2		
25 - 12	K0000060202	BOLT, M6-20	4		
25 - 13	K0200060002	WASHER, SPRING M6	4		
25 - 14	K5000060002	WASHER, M6	2		
25 - 15	K0100060002	NUT, M6	2		
25 - 16	K5011606202	WASHER, SPCC 1.6-6-20	2		
25 - 17	SP05---1304Z0	CARGO BOX	1		

BARONESS[®]
Quality on Demand

 **KYOEISHA CO.,LTD.**
Head Office 1-26, Miyuki-cho, Toyokawa-city, Tel :+81-533-84-1390
Aichi-pref, 442-8530 JAPAN Fax :+81-533-84-1220